



US00D737451S

(12) **United States Design Patent**
Pokorny et al.

(10) **Patent No.:** **US D737,451 S**

(45) **Date of Patent:** **** Aug. 25, 2015**

(54) **CUVETTE SYSTEM**

(75) Inventors: **Walter Pokorny**, Gais (AT); **Wolfgang Wachter**, Schaan (LI)

(73) Assignee: **Ivoclar Vivadent AG**, Schaan (LI)

(**) Term: **14 Years**

(21) Appl. No.: **29/427,942**

(22) Filed: **Jul. 24, 2012**

Related U.S. Application Data

(63) Continuation-in-part of application No. 29/316,344, filed on Sep. 14, 2009, now abandoned.

(30) **Foreign Application Priority Data**

Mar. 13, 2009 (DE) 40 2009 001 407

(51) **LOC (10) Cl.** **24-03**

(52) **U.S. Cl.**
USPC **D24/181**

(58) **Field of Classification Search**

USPC D24/180-182, 152, 155-156, 176;
249/54; 433/3, 49, 147, 153, 168.1,
433/171; 264/16-19, 317; 425/177,
425/DIG. 11, DIG. 110
CPC A61C 13/20; A61C 8/0001; A61C 13/00;
A61C 1/084; A61C 13/34; A61C 13/09;
A61C 5/10; A61C 8/0036; A61C 9/002;
A61C 8/0089; A61C 13/081; A61C 5/08;
A61C 13/16; A61C 13/04; A61C 13/18;
A61C 13/14; B29C 33/0077

See application file for complete search history.

(56) **References Cited**

U.S. PATENT DOCUMENTS

2,457,114	A *	12/1948	Amenta	264/18
2,858,568	A *	11/1958	Myerson	425/175
2,976,570	A *	3/1961	Ettenberg	249/54
D297,666	S	9/1988	Colombo		
D302,296	S	7/1989	Harmony		
D307,474	S	4/1990	Cook		
D307,796	S	5/1990	Hanifl et al.		
5,324,186	A *	6/1994	Bakanowski	249/54
7,413,426	B2 *	8/2008	Kamali	425/177
7,578,667	B2	8/2009	Wachter et al.		
D631,544	S	1/2011	Kraft		
8,252,213	B2 *	8/2012	Conrad	249/54
2010/0181344	A1	7/2010	Pokorny et al.		

* cited by examiner

Primary Examiner — Wan Laymon

(74) *Attorney, Agent, or Firm* — Ann M. Knab; Thad McMurray

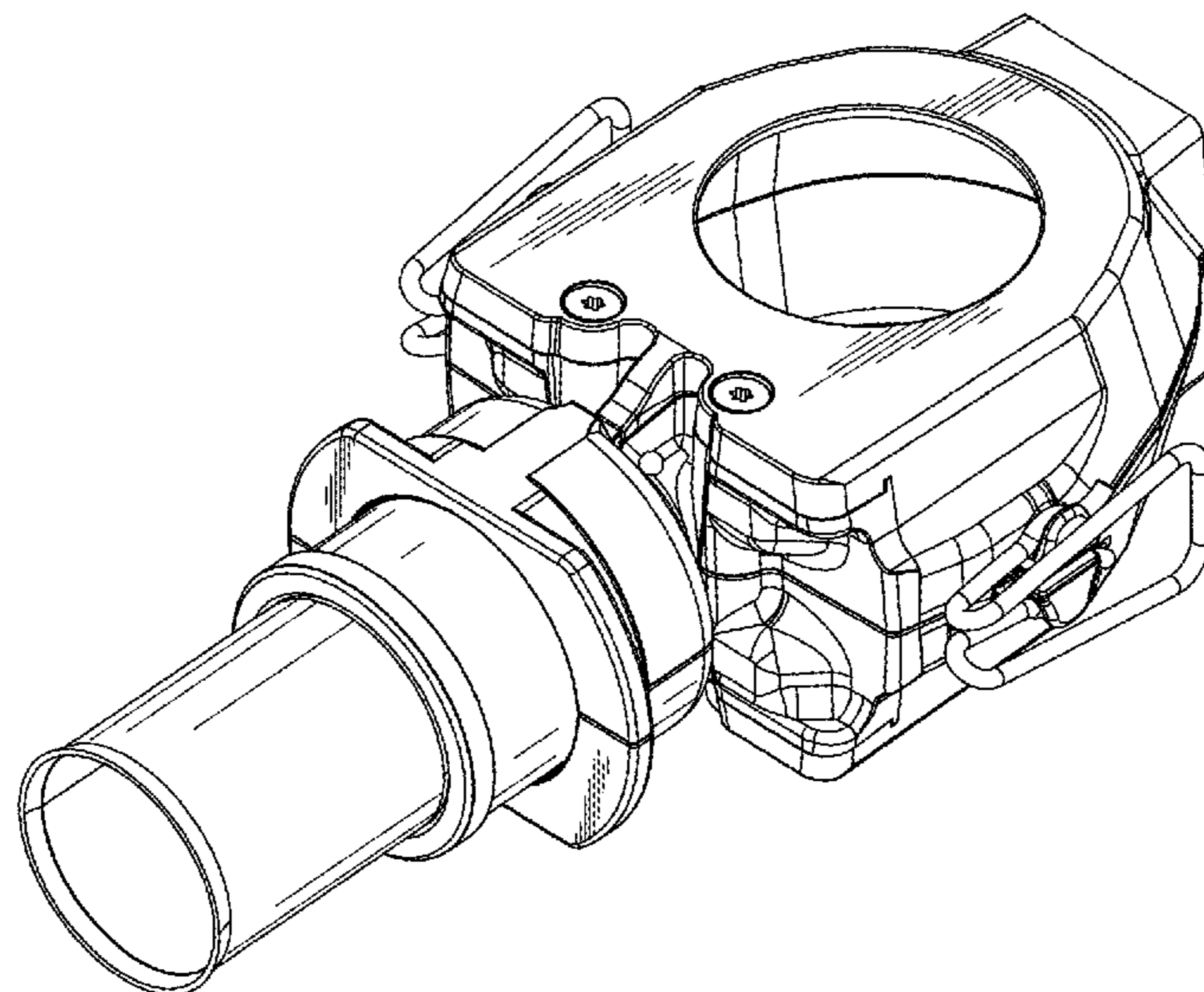
(57) **CLAIM**

The ornamental design for a cuvette system, as shown and described.

DESCRIPTION

FIG. 1 shows a perspective view of the cuvette system; FIG. 2 shows a side view of the cuvette system of FIG. 1; FIG. 3 shows a front view of the cuvette system of FIG. 1; FIG. 4 shows a bottom view of the cuvette system of FIG. 1; and, FIG. 5 shows a top view of the cuvette system of FIG. 1. Portions of the cuvette system shown in broken lines form no part of the claimed design.

1 Claim, 5 Drawing Sheets



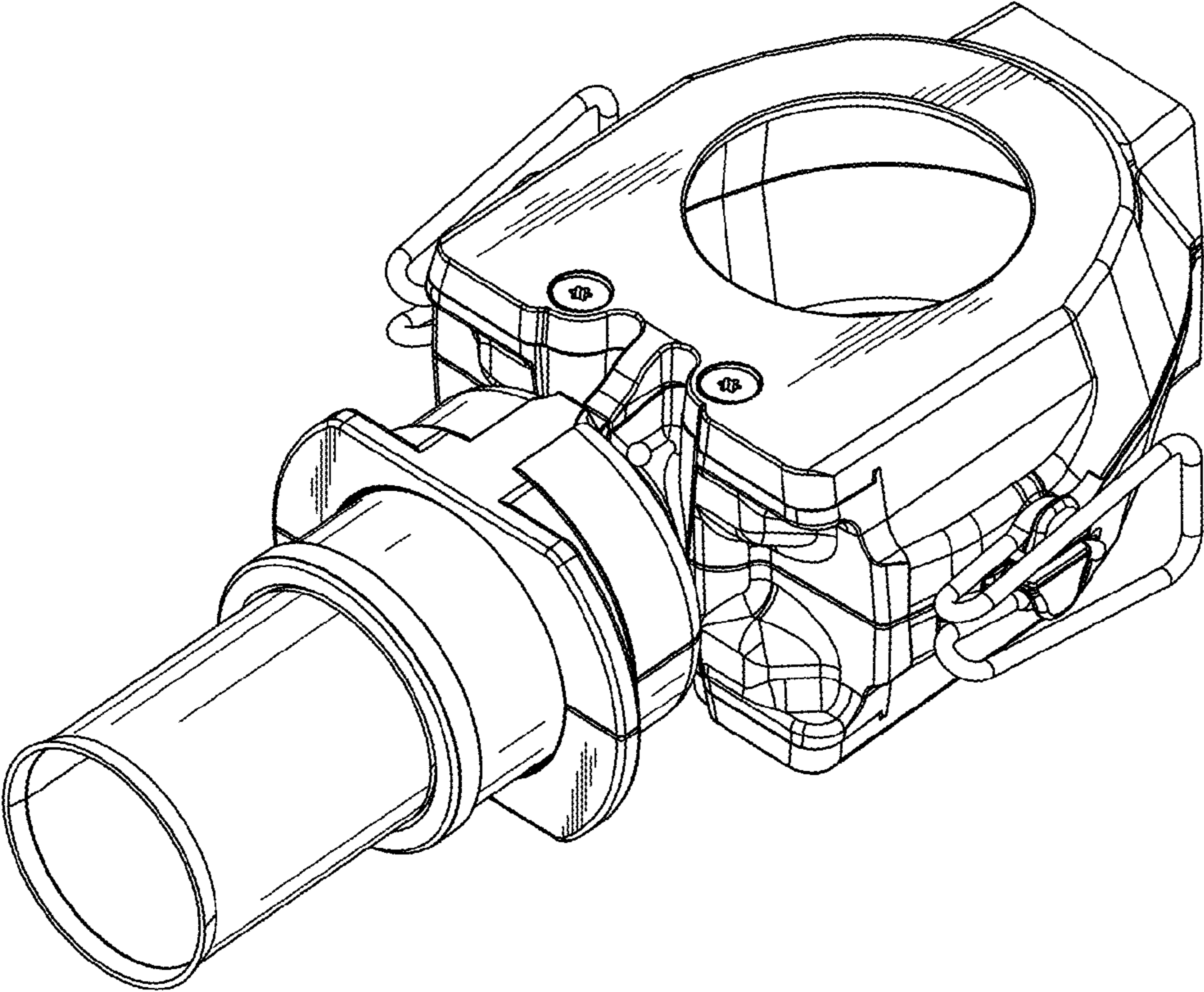


Fig. 1

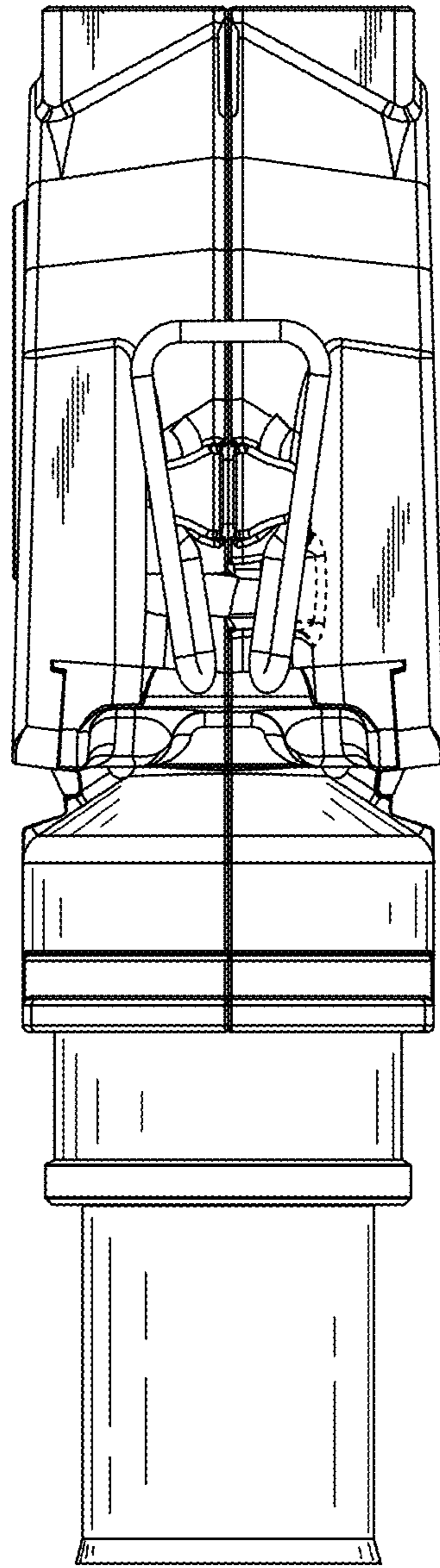


Fig. 2

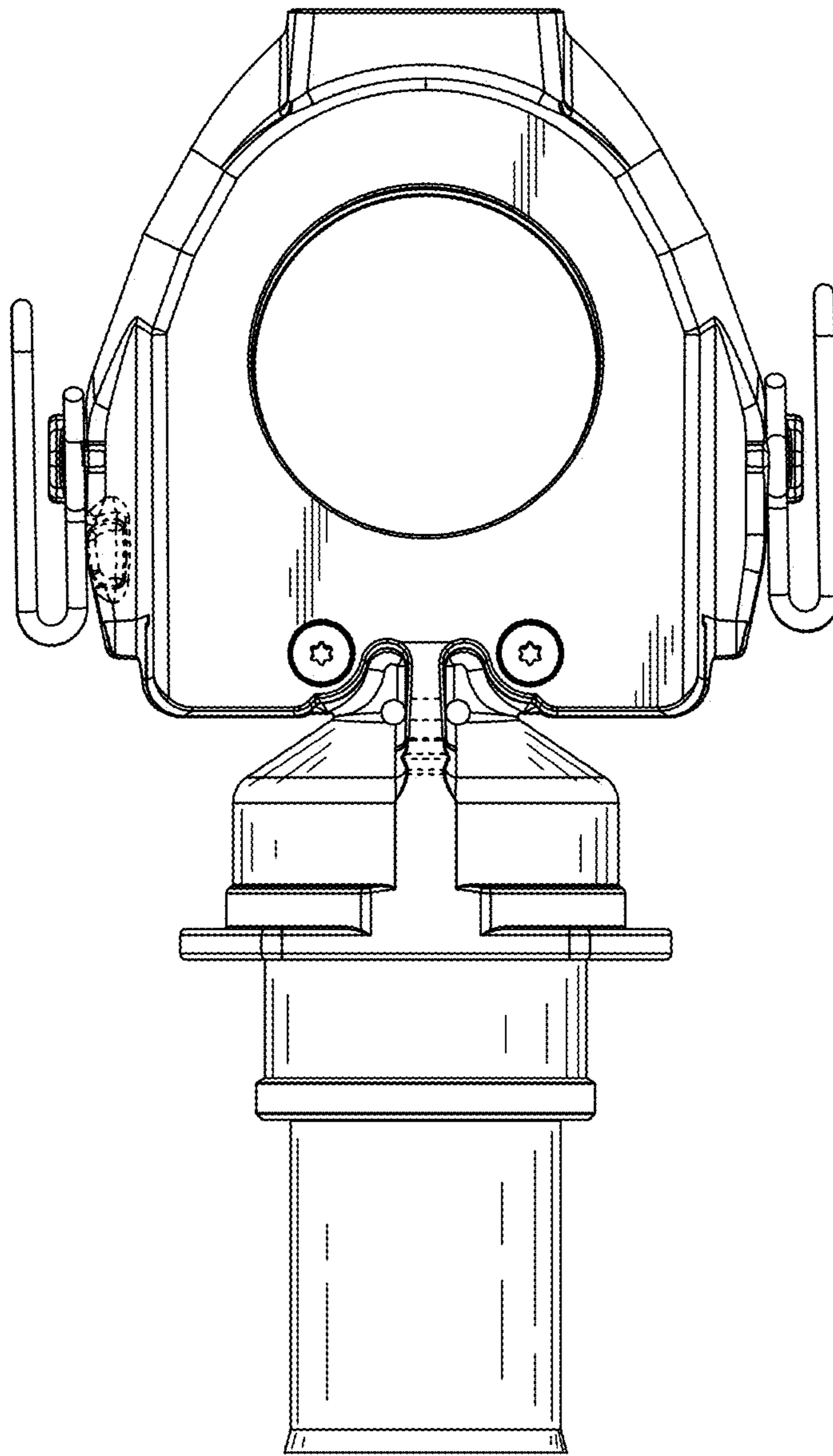


Fig. 3

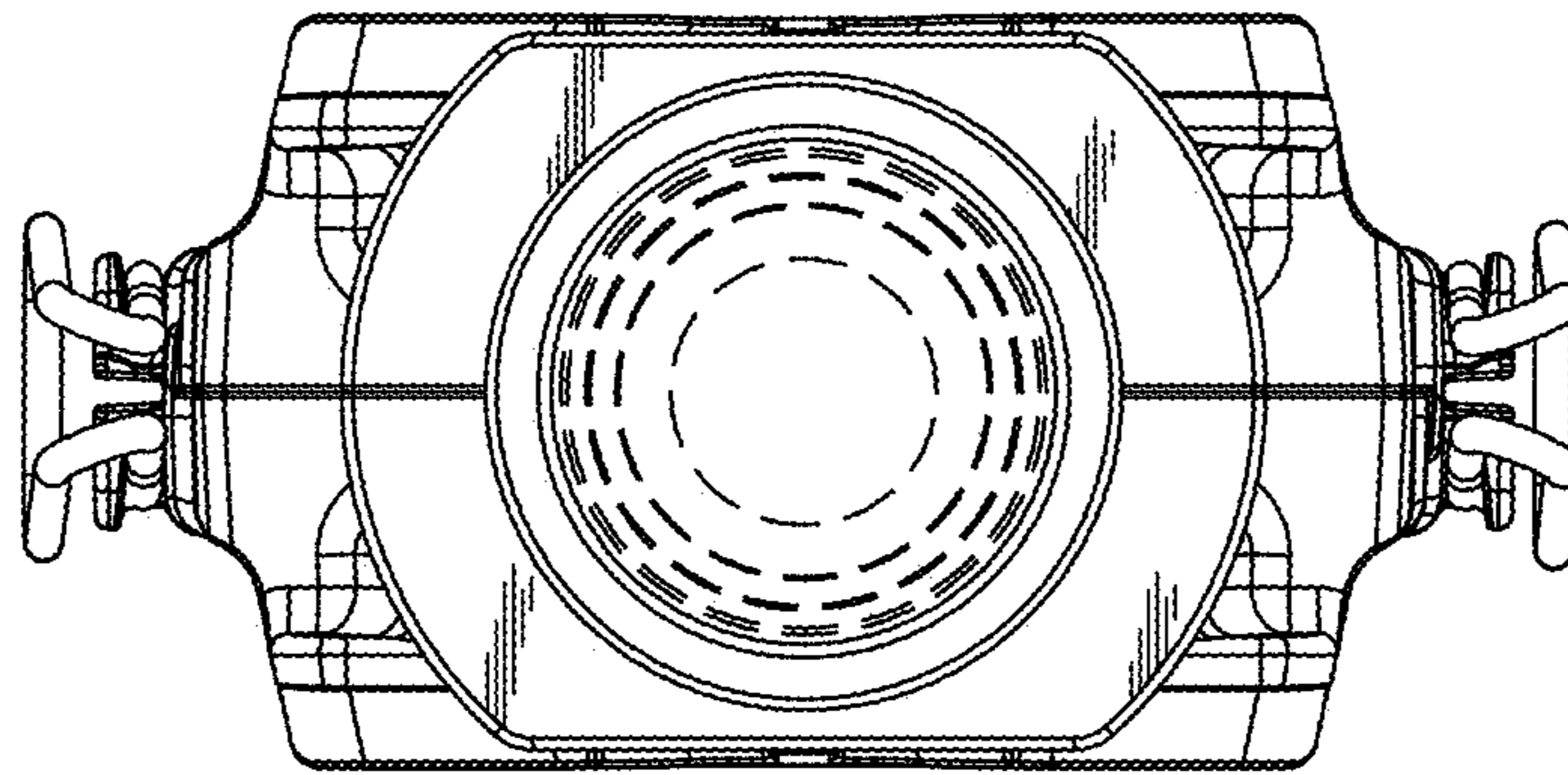


Fig. 4

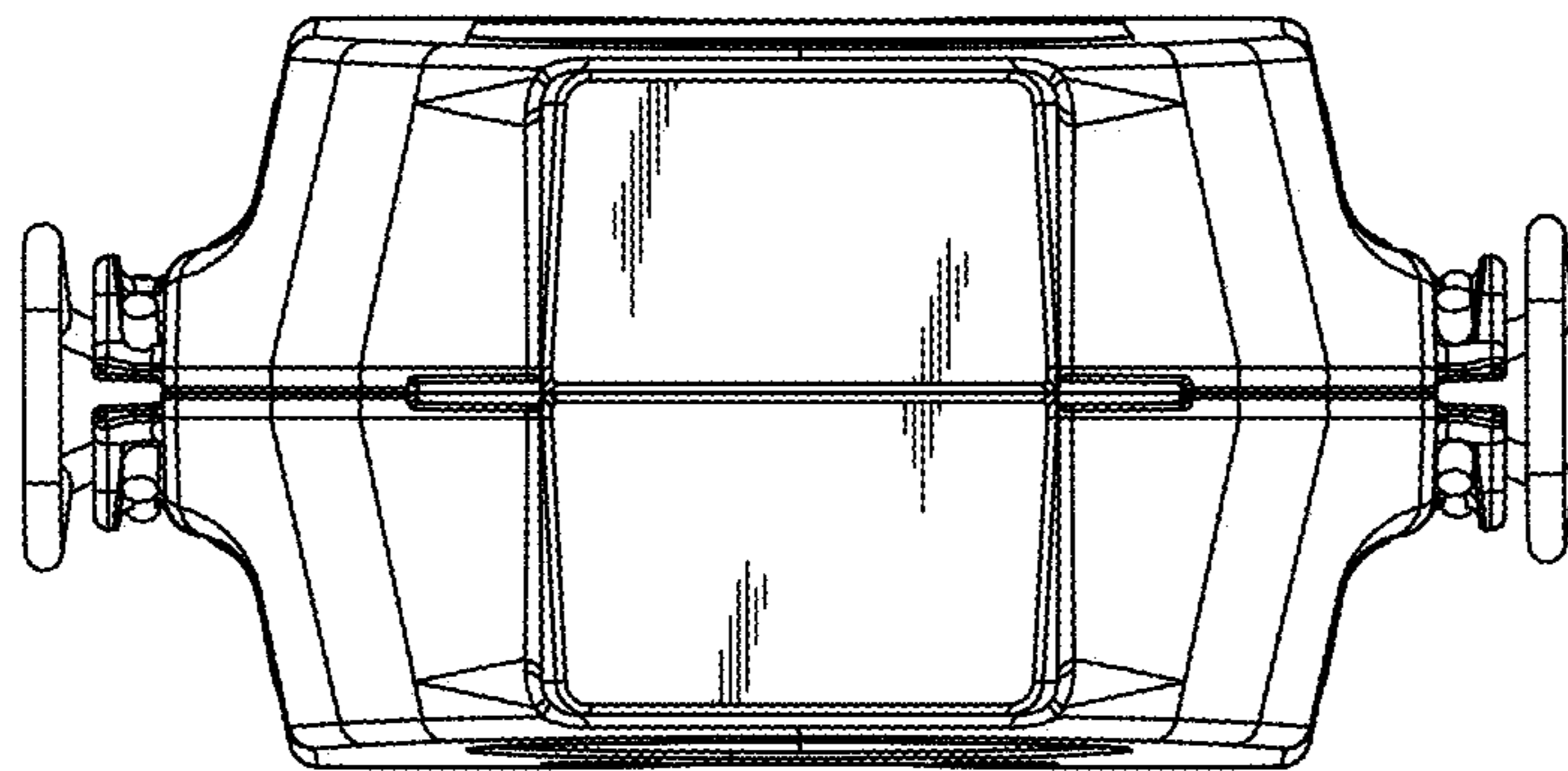


Fig. 5