

US00D737449S

(12) **United States Design Patent**
Zheng et al.

(10) **Patent No.:** **US D737,449 S**

(45) **Date of Patent:** **** Aug. 25, 2015**

(54) **GENERATOR FOR MEDICAL TREATMENT DEVICES**

(71) Applicant: **Covidien LP**, Mansfield, MA (US)

(72) Inventors: **Yuewen Zheng**, Shanghai (CN); **Xiaolin Sang**, Shanghai (CN)

(73) Assignee: **Covidien LP**, Mansfield, MA (US)

(**) Term: **14 Years**

(21) Appl. No.: **29/485,831**

(22) Filed: **Mar. 24, 2014**

(51) **LOC (10) Cl.** **24-00**

(52) **U.S. Cl.**
USPC **D24/170**; D13/112

(58) **Field of Classification Search**
USPC D24/170, 232, 144, 138, 169; D13/112, D13/116; 606/34, 45, 37, 48; 439/489; 700/83; 607/102
CPC A61B 18/1206; A61B 18/1402; A61B 18/1815; H01R 13/641; G05B 15/02
See application file for complete search history.

(56) **References Cited**

U.S. PATENT DOCUMENTS

4,593,691	A *	6/1986	Lindstrom et al.	606/45
4,903,696	A *	2/1990	Stasz et al.	606/37
5,041,110	A *	8/1991	Fleenor	606/34
5,160,334	A *	11/1992	Billings et al.	606/34
D351,655	S *	10/1994	Smith et al.	D24/170
D359,353	S *	6/1995	Butter	D24/144
D411,622	S *	6/1999	Hall	D24/170
6,068,627	A *	5/2000	Orszulak et al.	606/34
6,293,941	B1 *	9/2001	Strul et al.	606/34
6,364,877	B1 *	4/2002	Goble et al.	606/34
D477,408	S *	7/2003	Bromley	D24/170
D491,666	S *	6/2004	Kimmell et al.	D24/170
7,131,860	B2 *	11/2006	Sartor et al.	439/489

D547,718	S *	7/2007	Helgeson et al.	D13/116
D550,357	S *	9/2007	Hayamizu	D24/138
D552,241	S *	10/2007	Bromley et al.	D24/170
7,317,954	B2 *	1/2008	McGreevy	700/83
D567,761	S *	4/2008	Waler et al.	D13/112
D574,323	S *	8/2008	Waler	D13/112
D681,211	S *	4/2013	Glassett et al.	D24/170
D681,231	S *	4/2013	Steinhauer et al.	D24/232
D687,146	S *	7/2013	Juzkiw et al.	D24/170
D695,407	S *	12/2013	Price et al.	D24/170
D704,839	S *	5/2014	Juzkiw et al.	D24/170
D712,031	S *	8/2014	Feng et al.	D24/144

(Continued)

Primary Examiner — Holly Baynham

Assistant Examiner — Rhea Shields

(74) *Attorney, Agent, or Firm* — Thomas M. Johnston, Esq.

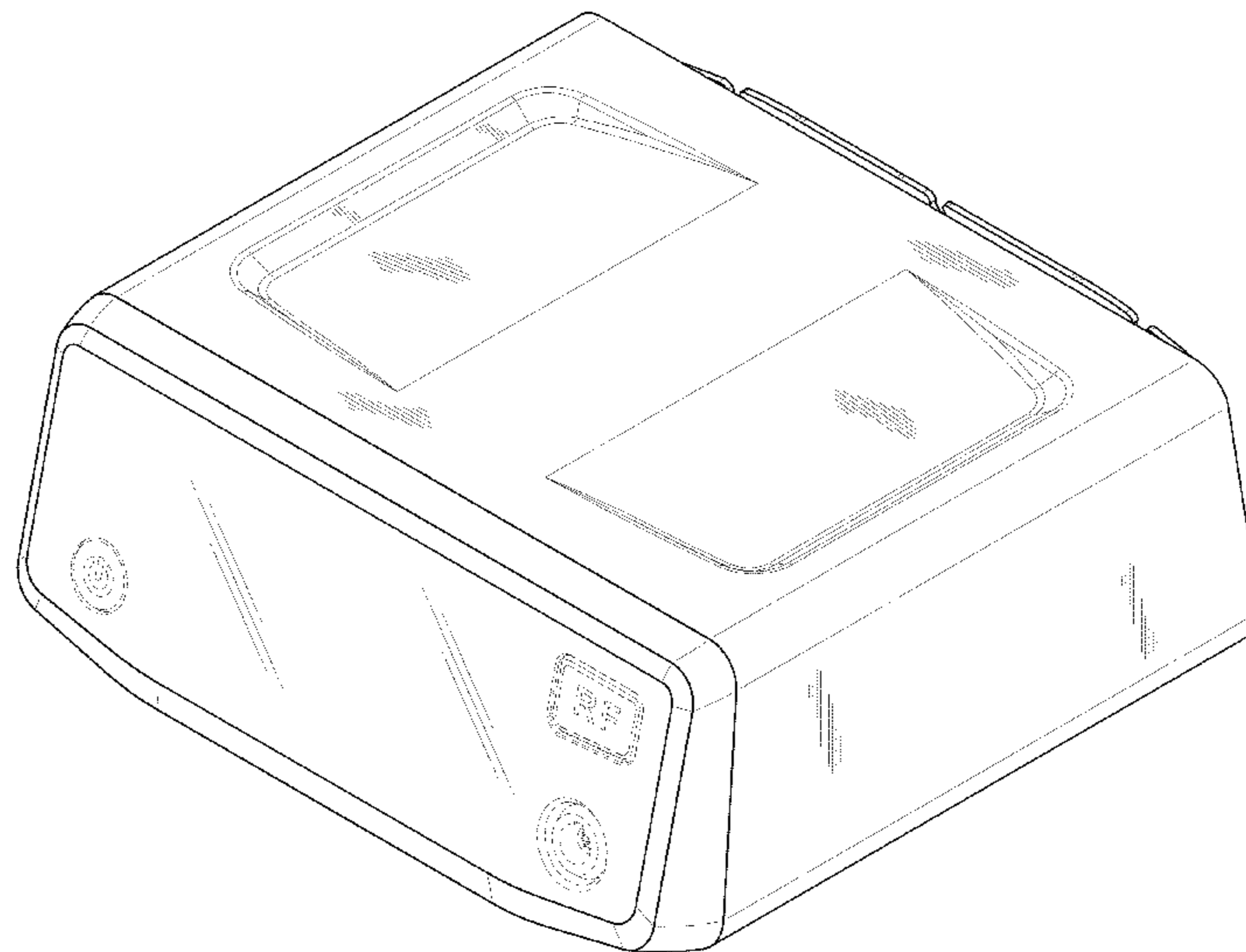
(57) **CLAIM**

The ornamental design for a generator for medical treatment devices, as shown and described.

DESCRIPTION

FIG. 1 is a front perspective view of a generator for medical treatment devices, according to the present design;
 FIG. 2 is a front elevation view of the generator for medical treatment devices of FIG. 1;
 FIG. 3 is a rear elevation view of the generator for medical treatment devices of FIG. 1;
 FIG. 4 is a right-side elevation view of the generator for medical treatment devices of FIG. 1;
 FIG. 5 is a left-side elevation view of the generator for medical treatment devices of FIG. 1.
 FIG. 6 is a top plan view of the generator for medical treatment devices of FIG. 1; and,
 FIG. 7 is a bottom plan view of the generator for medical treatment devices of FIG. 1.
 In the drawings, the broken lines are for the purpose of illustrating environment only and form no part of the claimed design.

1 Claim, 7 Drawing Sheets



(56)

References Cited

U.S. PATENT DOCUMENTS

D712,352 S * 9/2014 George et al. D13/112
D712,353 S * 9/2014 George et al. D13/112
D712,833 S * 9/2014 George et al. D13/112
D715,932 S * 10/2014 Mirrer et al. D24/138

D716,470 S * 10/2014 Nelsen D24/232
D725,782 S * 3/2015 Gill D24/169
2004/0015203 A1* 1/2004 McGraw et al. 607/48
2009/0118802 A1* 5/2009 Mioduski et al. 607/102
2014/0330266 A1* 11/2014 Thompson et al. 606/34

* cited by examiner

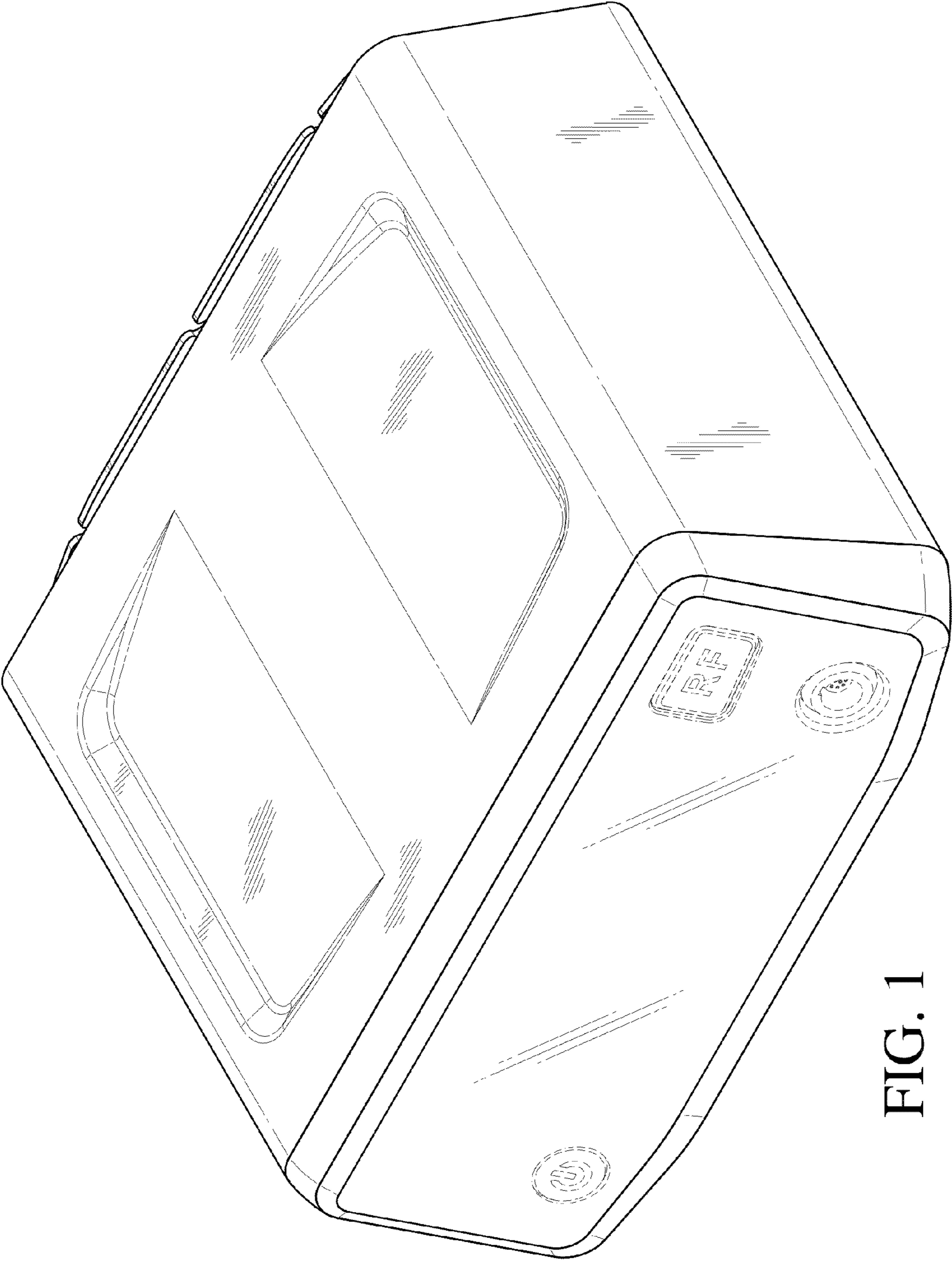


FIG. 1

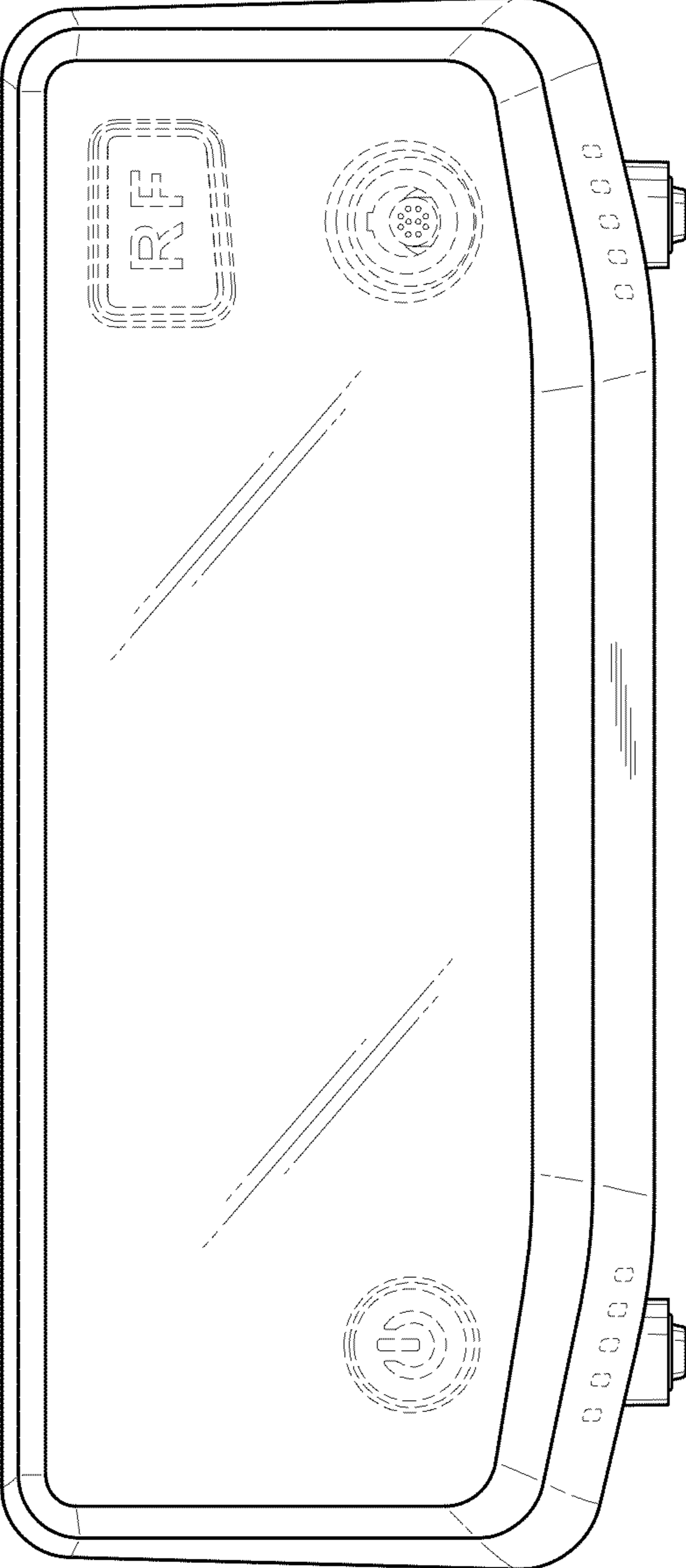


FIG. 2

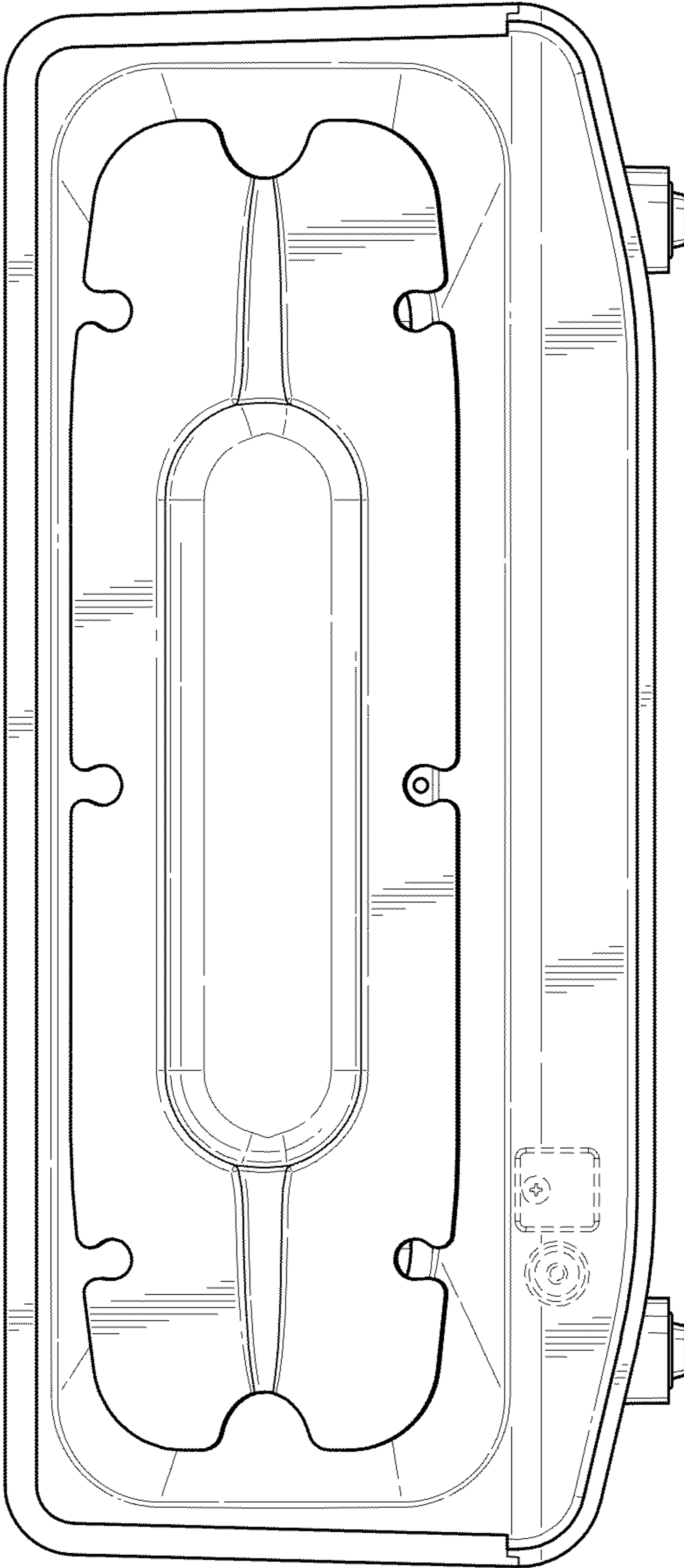


FIG. 3

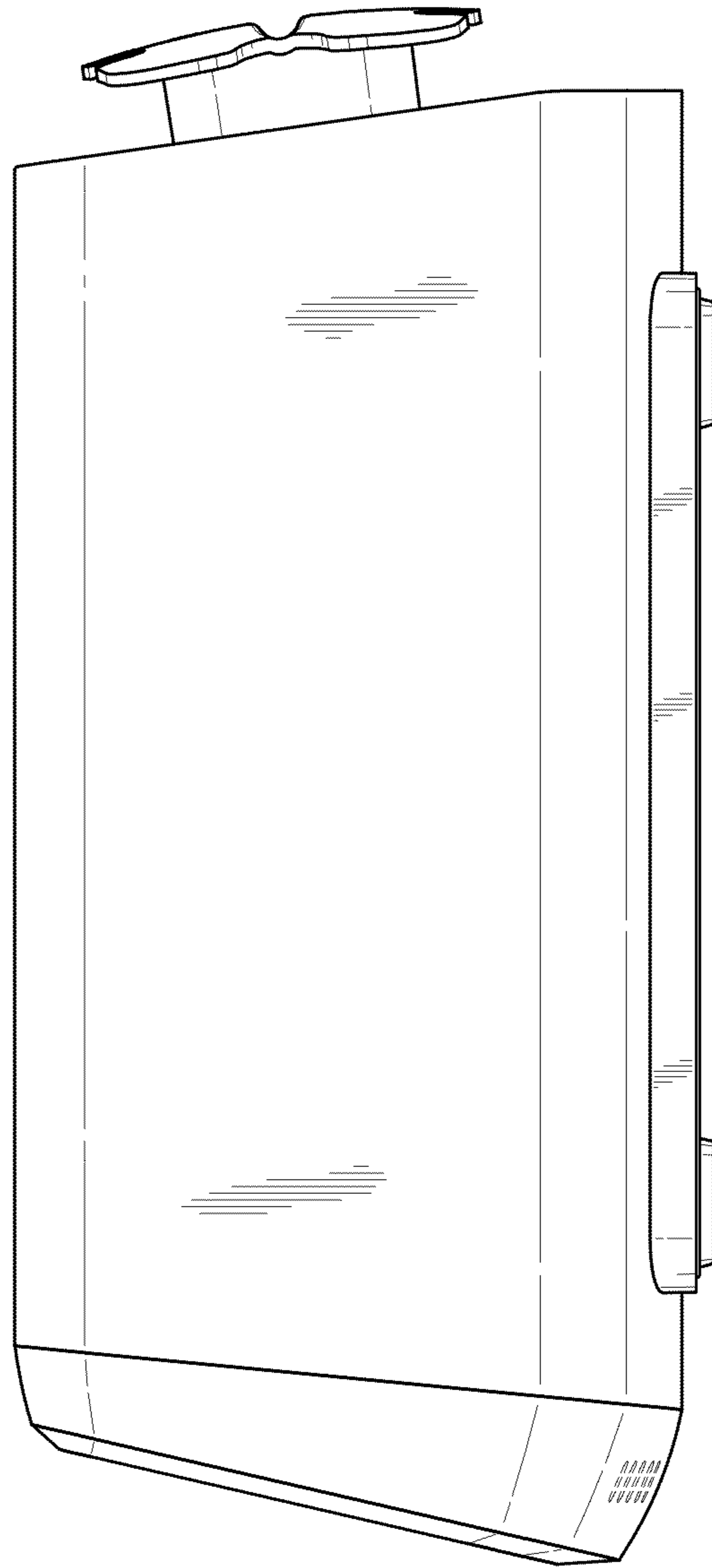


FIG. 4

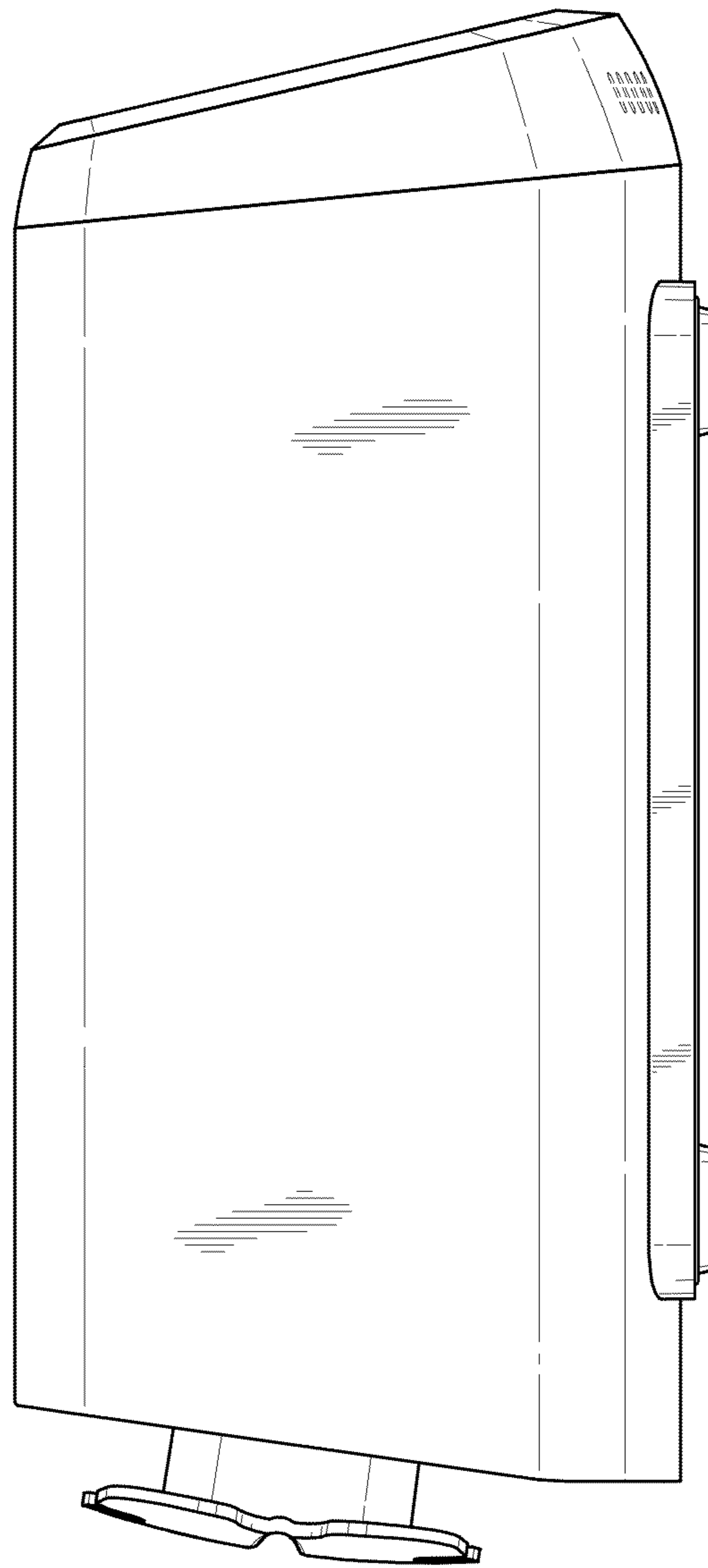


FIG. 5

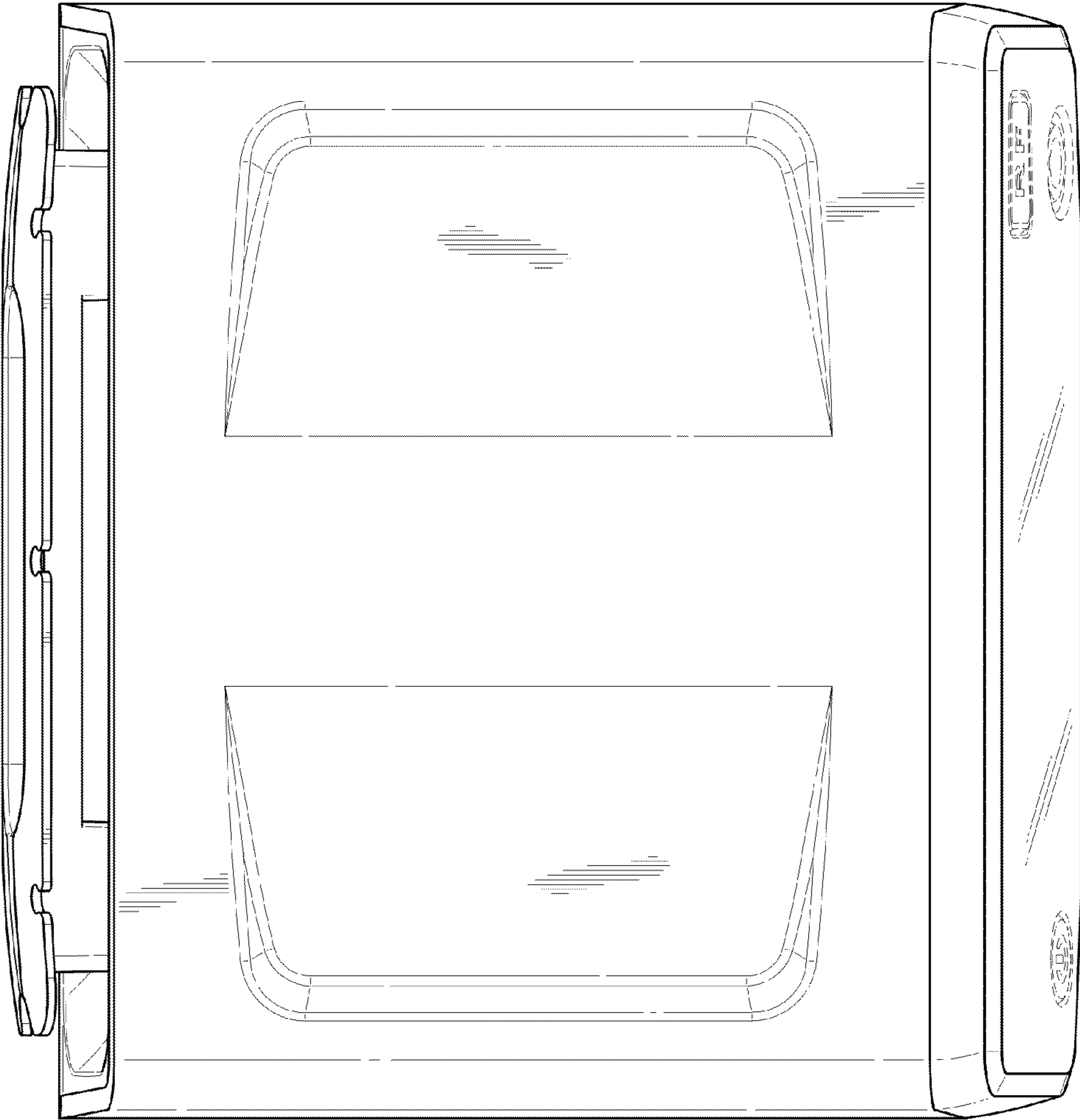


FIG. 6

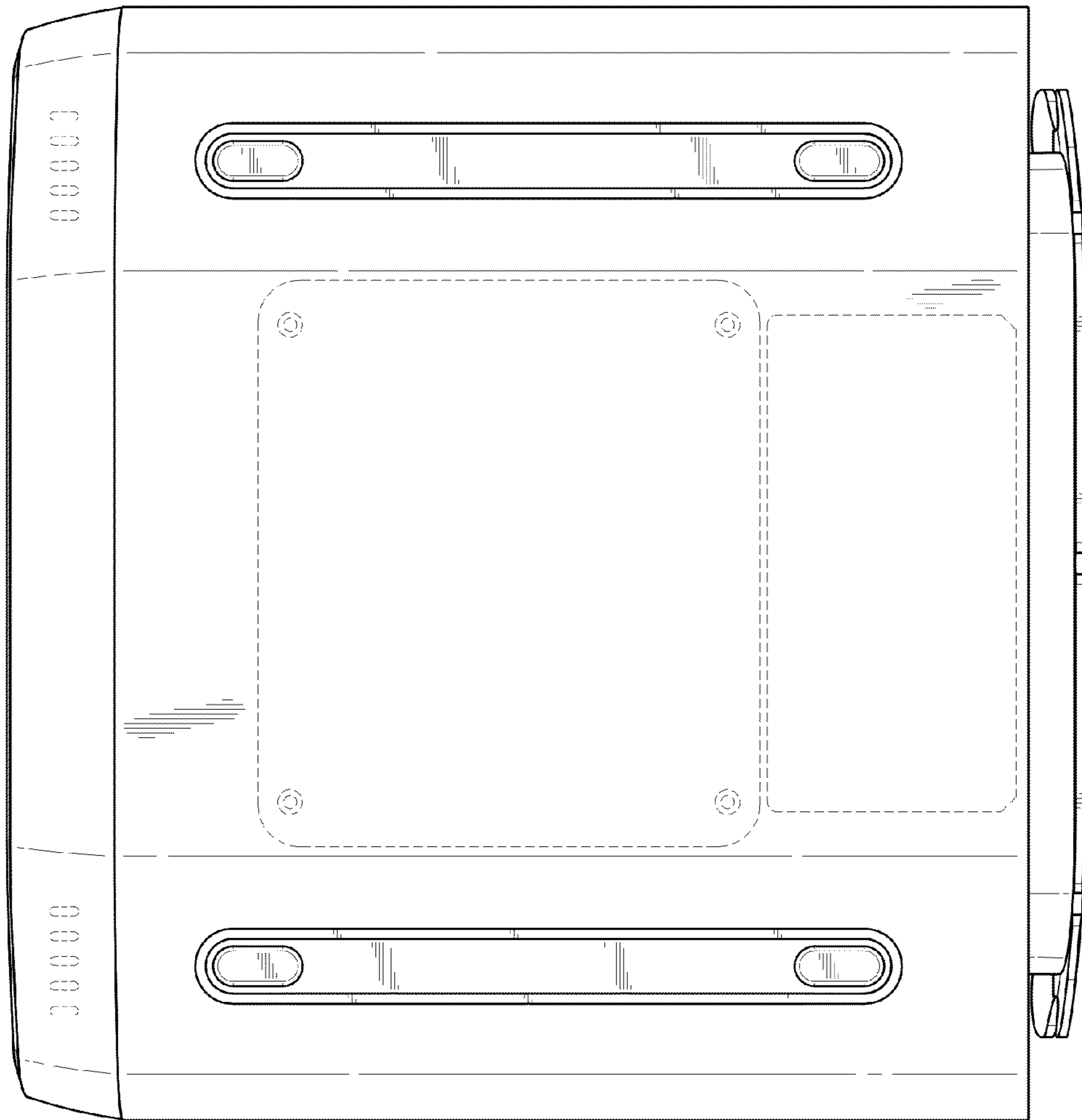


FIG. 7