



US00D737448S

(12) **United States Design Patent**
Fluxman

(10) **Patent No.:** **US D737,448 S**

(45) **Date of Patent:** **** Aug. 25, 2015**

(54) **DEVICE FOR MEDICAL TREATMENT**

(71) Applicant: **Mego Afek AC Ltd.**

(72) Inventor: **Sason Fluxman, Kfar Vradim (IL)**

(73) Assignee: **Mego Afek AC Ltd., Afek (IL)**

(**) Term: **14 Years**

(21) Appl. No.: **29/489,582**

(22) Filed: **Apr. 30, 2014**

(30) **Foreign Application Priority Data**

Oct. 31, 2013 (IL) 54758

(51) **LOC (10) Cl.** **24-01**

(52) **U.S. Cl.**
USPC **D24/169**

(58) **Field of Classification Search**
USPC D24/107, 108, 111, 167, 169, 186;
601/150-152, 148, 149; 606/201, 202;
128/DIG. 20
CPC A61H 2209/00; A61H 2201/5002;
A61H 2201/5015
See application file for complete search history.

(56) **References Cited**

U.S. PATENT DOCUMENTS

D287,762 S * 1/1987 McCune D24/169
D315,406 S * 3/1991 Dye D24/169

D374,931 S * 10/1996 Cesaroni et al. D24/169
D413,667 S * 9/1999 Corbellini et al. D24/111
6,468,237 B1 * 10/2002 Lina 601/150
D476,421 S * 6/2003 Heston D24/169
D660,409 S * 5/2012 Taggerty et al. D24/108
D670,393 S * 11/2012 Nygardh D24/186
2005/0187500 A1 * 8/2005 Perry et al. 601/152

* cited by examiner

Primary Examiner — Anhdao Doan

(74) *Attorney, Agent, or Firm* — Knobbe Martens Olson & Bear LLP

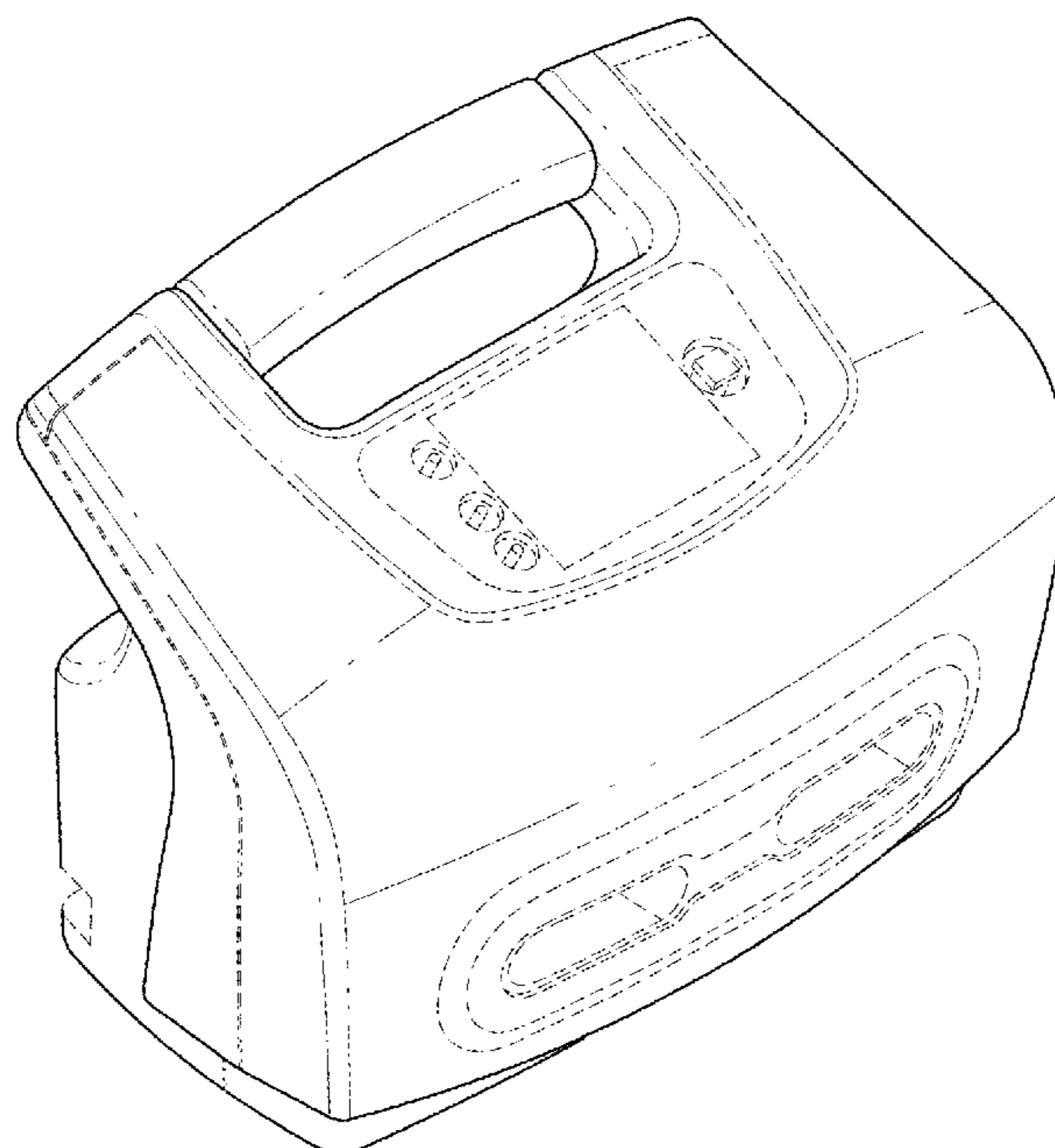
(57) **CLAIM**

The ornamental design for a device for medical treatment, as shown and described.

DESCRIPTION

FIG. 1 is a perspective view of a device for medical treatment showing the new design;
FIG. 2 is a perspective view of the device in FIG. 1;
FIG. 3 is a front view of the device in FIG. 1;
FIG. 4 is a right side view of the device in FIG. 1;
FIG. 5 is a rear view of the device in FIG. 1;
FIG. 6 is a left side view of the device in FIG. 1;
FIG. 7 is a top view of the device in FIG. 1; and,
FIG. 8 is a bottom view of the device in FIG. 1.
The broken lines in the drawing views are included for the purpose of illustrating portions of the device for medical treatment that form no part of the claimed design.

1 Claim, 8 Drawing Sheets



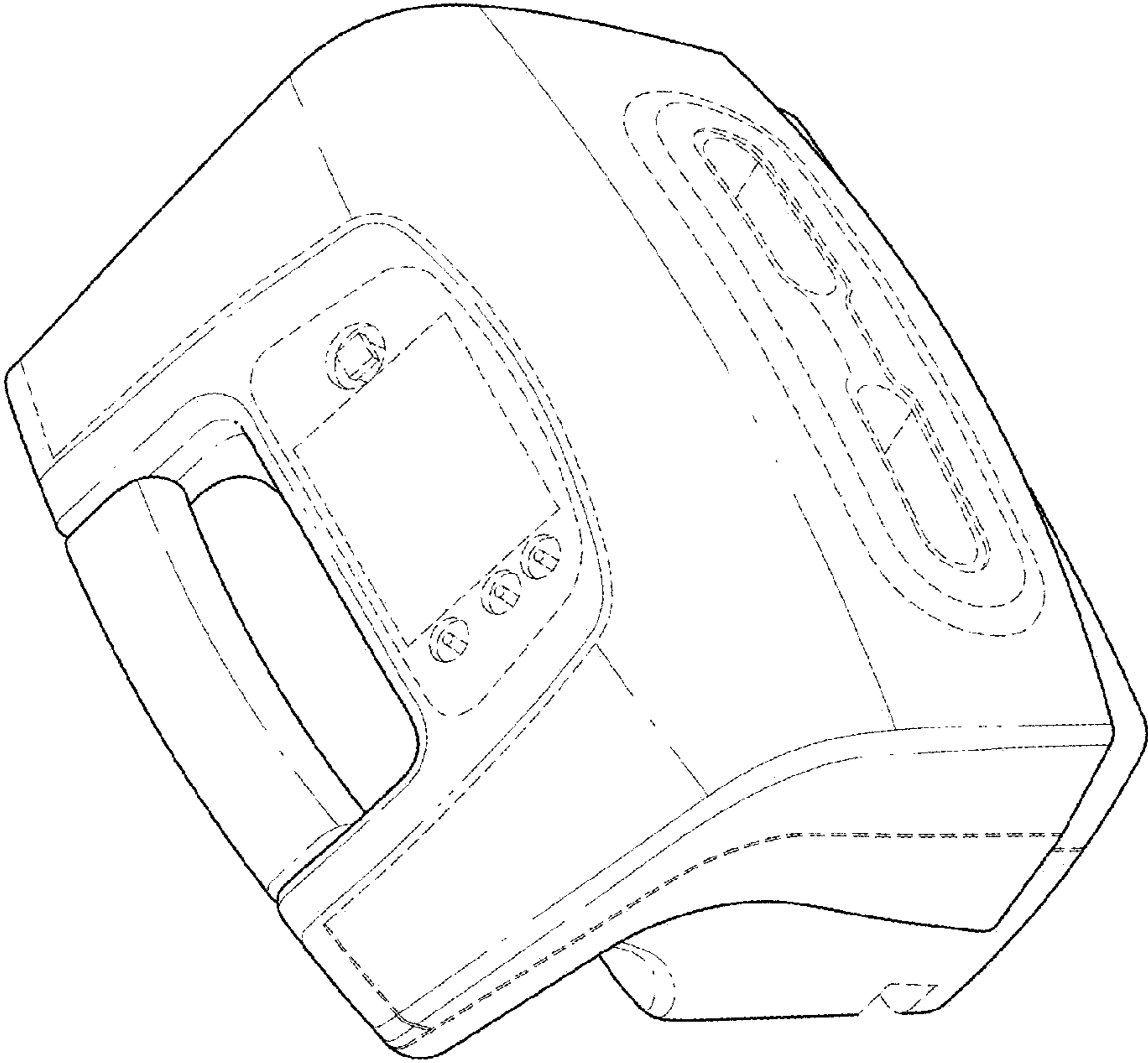


FIG. 1

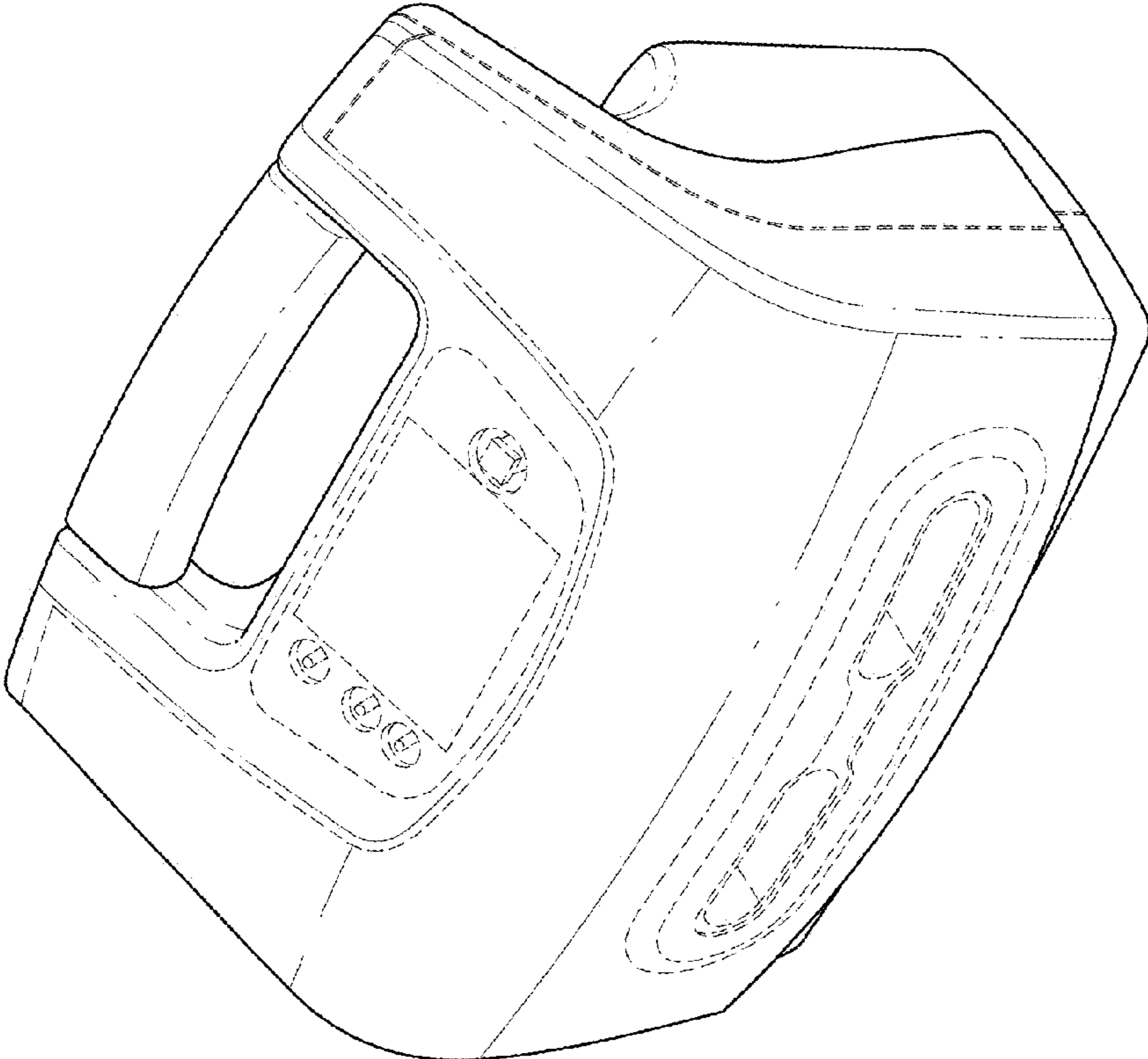


FIG. 2

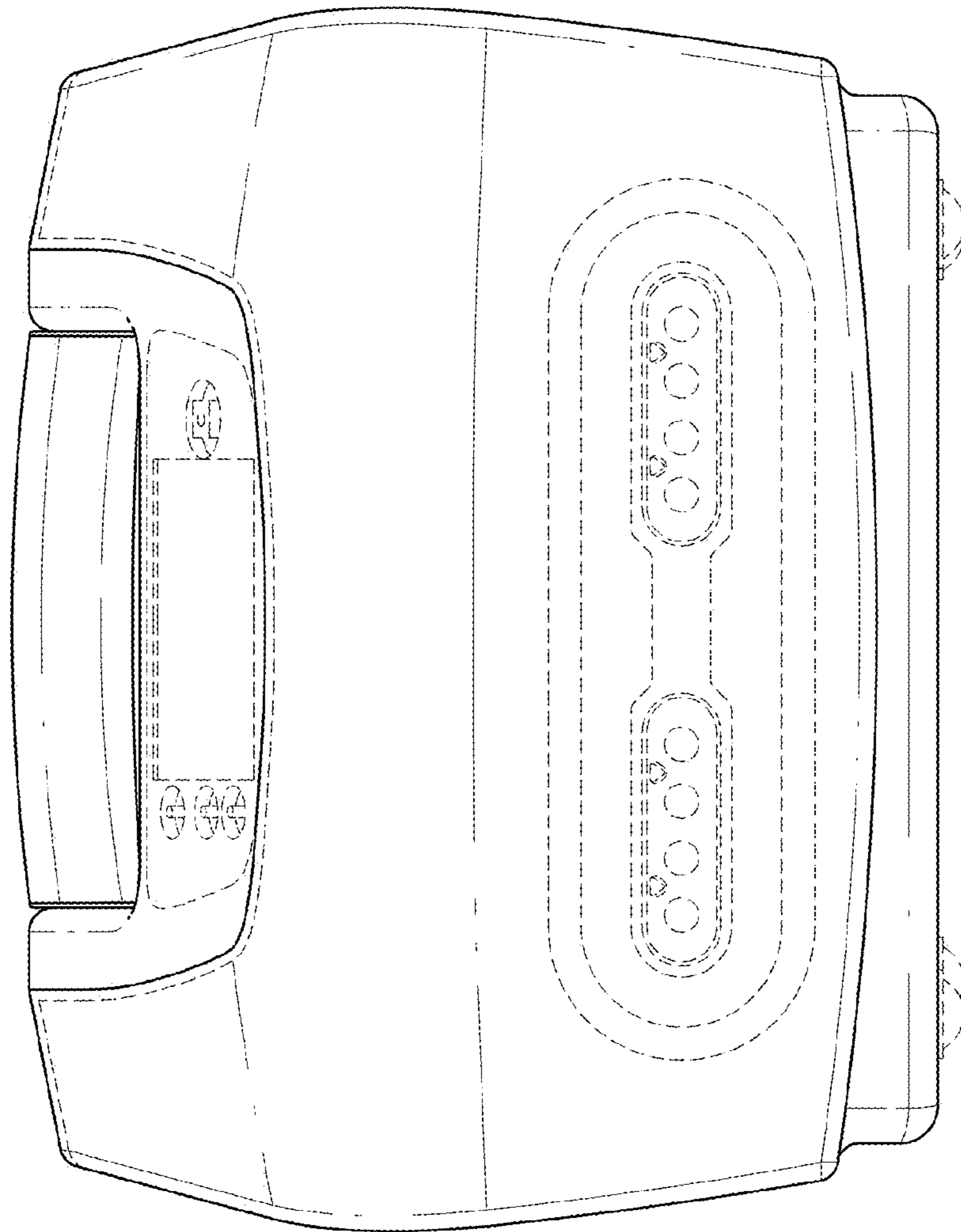


FIG. 3

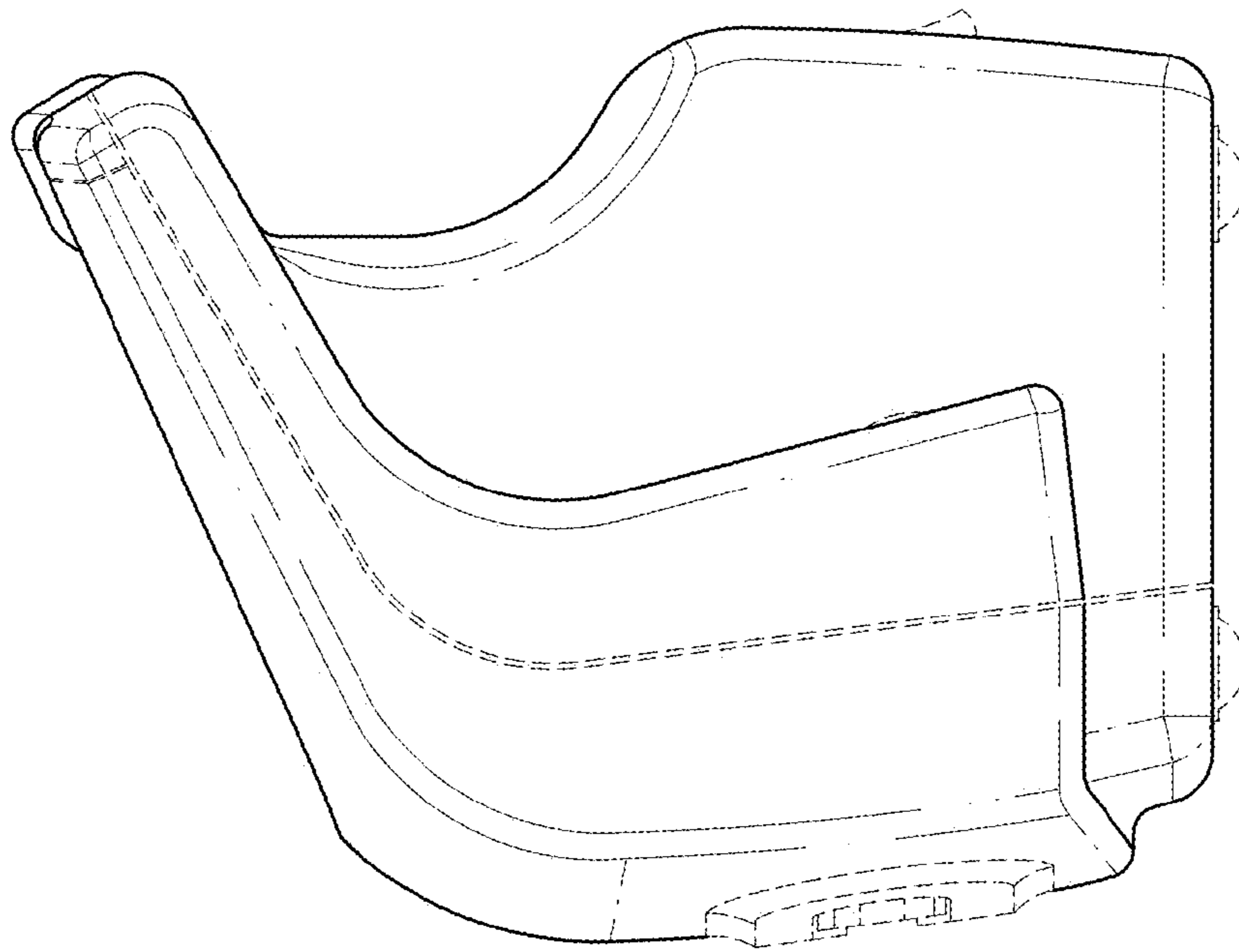


FIG. 4

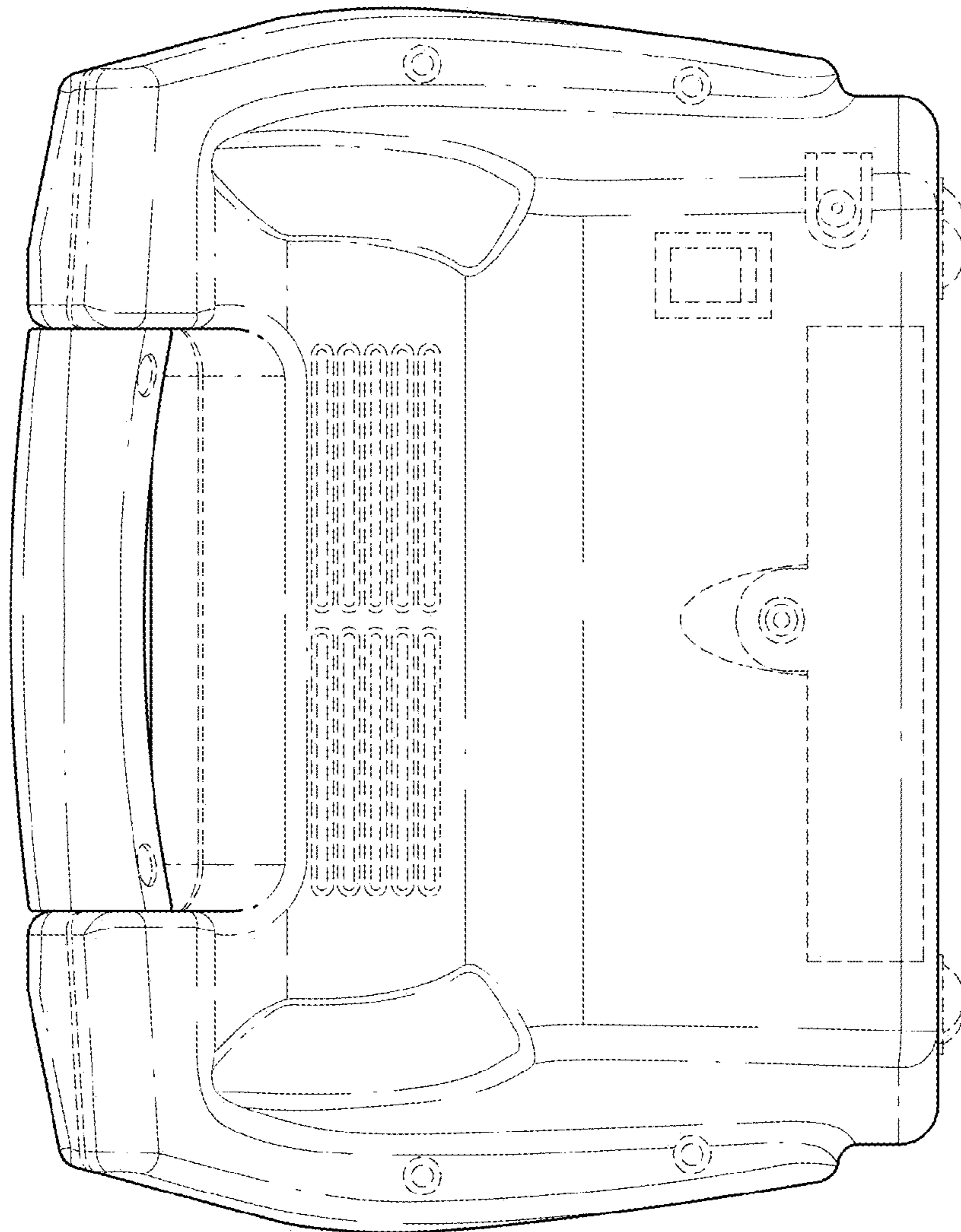


FIG. 5

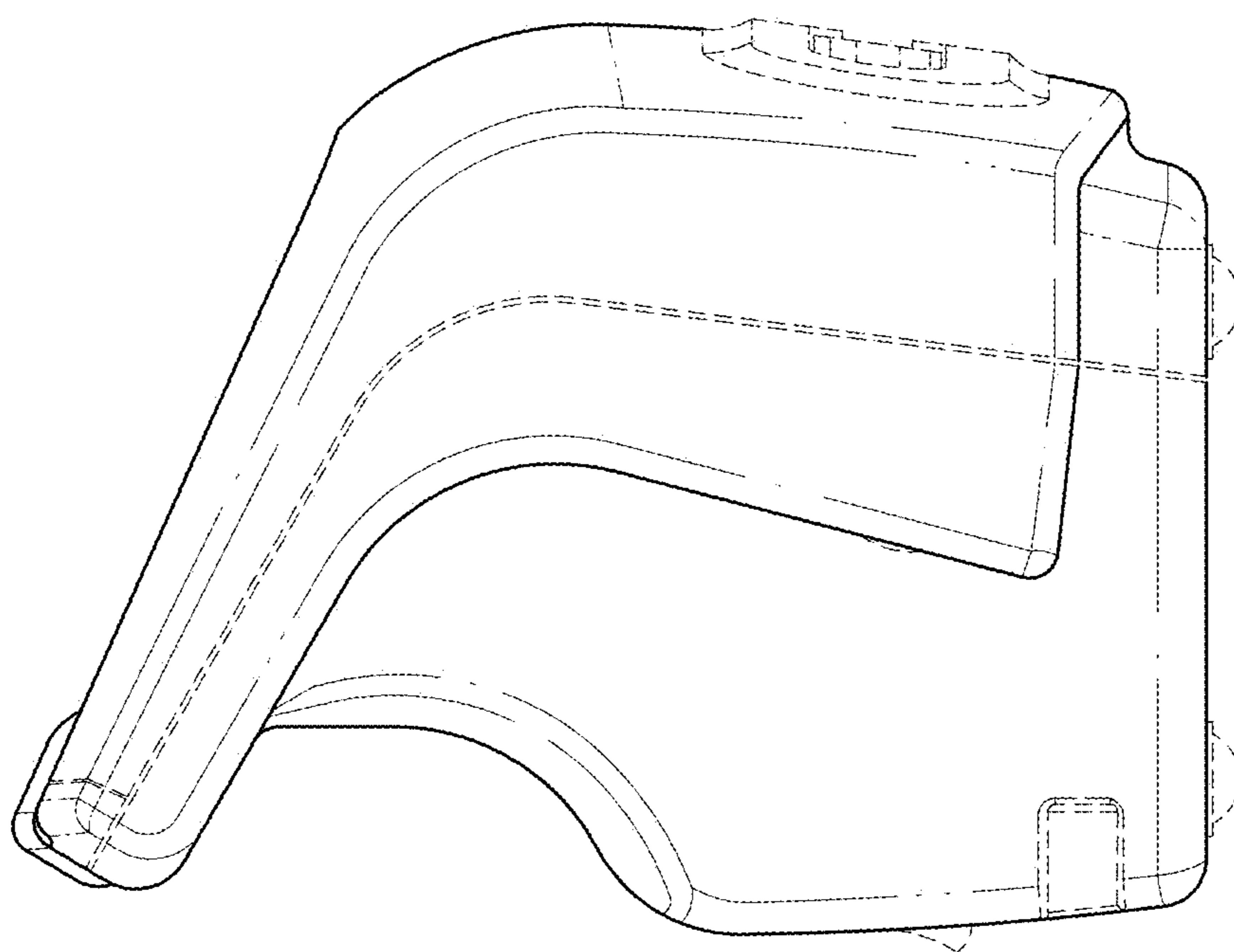


FIG. 6

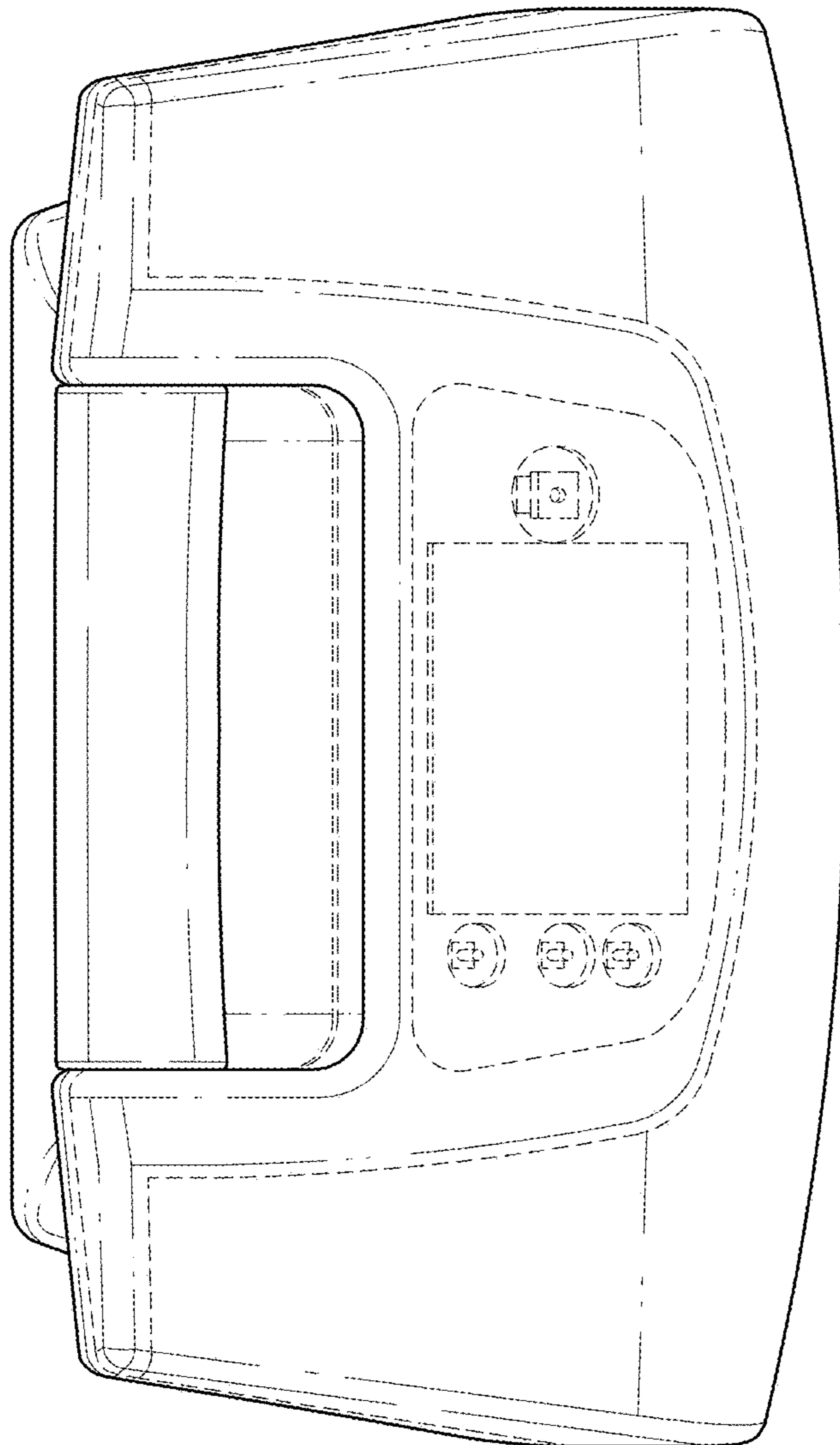


FIG. 7

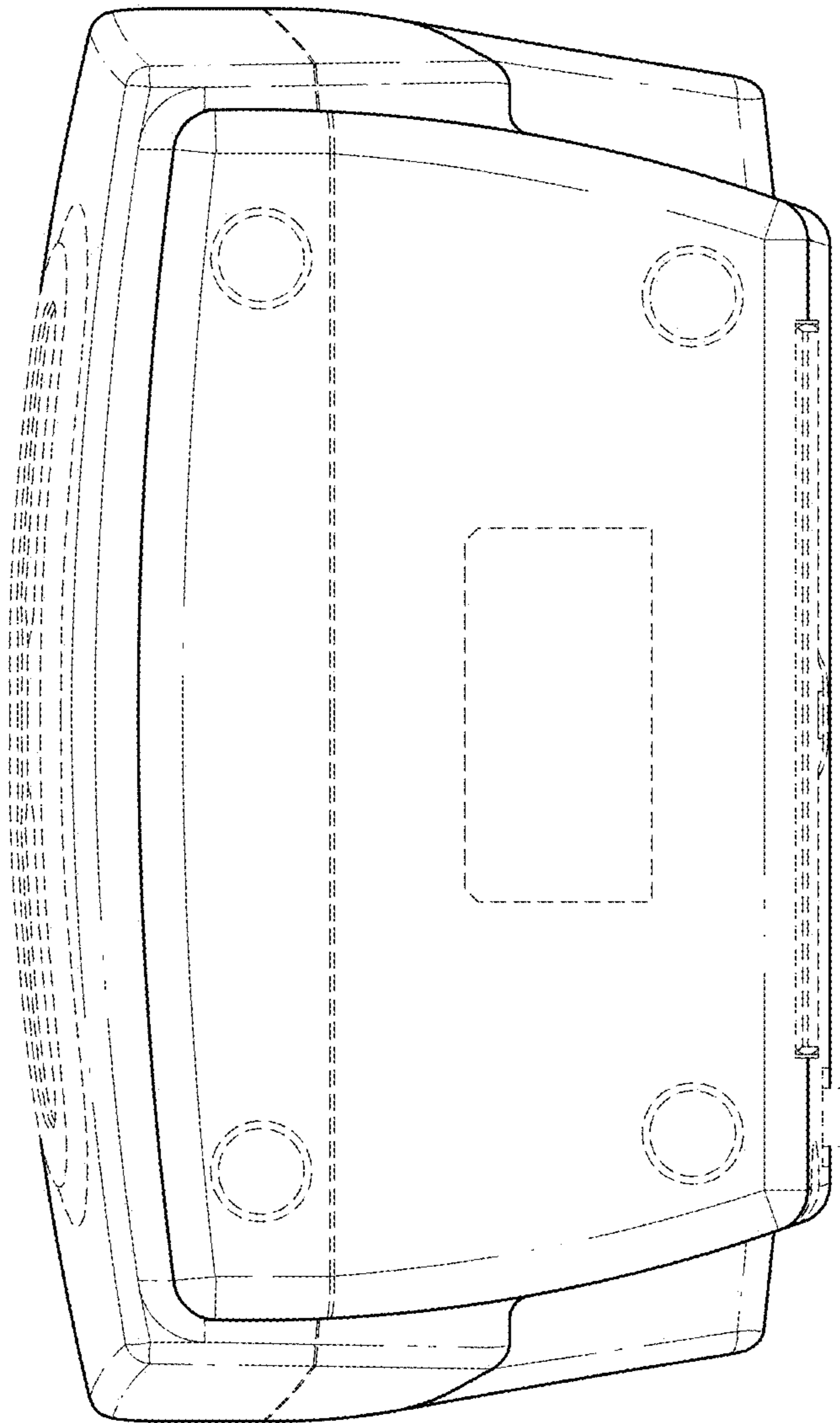


FIG. 8