

US00D737446S

(12) **United States Design Patent**
Butler et al.

(10) **Patent No.:** **US D737,446 S**

(45) **Date of Patent:** **** Aug. 25, 2015**

(54) **SPINAL INTERBODY DISTRACTOR**

(75) Inventors: **Michael S. Butler**, St. Charles, IL (US);
Brian D. Hartsell, Aurora, IL (US)

(73) Assignee: **Life Spine, Inc.**, Huntley, IL (US)

(**) Term: **14 Years**

(21) Appl. No.: **29/422,601**

(22) Filed: **May 22, 2012**

D611,147	S	*	3/2010	Hanson et al.	D24/155
D615,653	S	*	5/2010	Horton	D24/155
D623,748	S	*	9/2010	Horton et al.	D24/155
D623,749	S	*	9/2010	Horton et al.	D24/155
D627,468	S	*	11/2010	Richter et al.	D24/155
D631,967	S	*	2/2011	Horton	D24/155
7,892,261	B2	*	2/2011	Bonutti	606/279
D650,481	S	*	12/2011	Gottlieb et al.	D24/155
D653,757	S	*	2/2012	Binder	D24/155
D674,900	S	*	1/2013	Janice et al.	D24/155
D677,791	S	*	3/2013	Danacioglu et al.	D24/155
D681,205	S	*	4/2013	Farris et al.	D24/155

(Continued)

Related U.S. Application Data

(63) Continuation of application No. 12/239,767, filed on Sep. 27, 2008, now abandoned.

(51) **LOC (10) Cl.** **24-02**

(52) **U.S. Cl.**
USPC **D24/155**

(58) **Field of Classification Search**
USPC D24/155, 133, 135; 623/17.15, 17.16,
623/17.12; 604/500; 606/61
CPC A61F 2/4611; A61F 2/442; A61F 2/447;
A61F 2220/0025; A61F 2310/00023; A61F
2310/00017; A61F 2002/4475; A61F
2002/30841; A61F 2002/2835; A61F
2002/30904; A61F 2002/30785; A61F
2002/443; A61F 2002/30578

See application file for complete search history.

(56) **References Cited**

U.S. PATENT DOCUMENTS

5,716,415	A	2/1998	Steffee	
5,766,252	A	6/1998	Henry et al.	
6,008,433	A	* 12/1999	Stone 623/20.14
D444,878	S	* 7/2001	Walter D24/155
D445,188	S	* 7/2001	Walter D24/155
6,823,871	B2	* 11/2004	Schmieding 128/898
D524,443	S	* 7/2006	Blain D24/155
D541,940	S	* 5/2007	Blain D24/155

FOREIGN PATENT DOCUMENTS

WO WO-2008/033489 A3 3/2008

OTHER PUBLICATIONS

International Preliminary Report on Patentability for PCT/US2007/019974, dated Oct. 9, 2008, 6 pages.

(Continued)

Primary Examiner — Ian Simmons

Assistant Examiner — Charles Hanson

(74) *Attorney, Agent, or Firm* — Foley & Lardner LLP

(57) **CLAIM**

We claim the ornamental design for a spinal interbody distractor, as shown and described.

DESCRIPTION

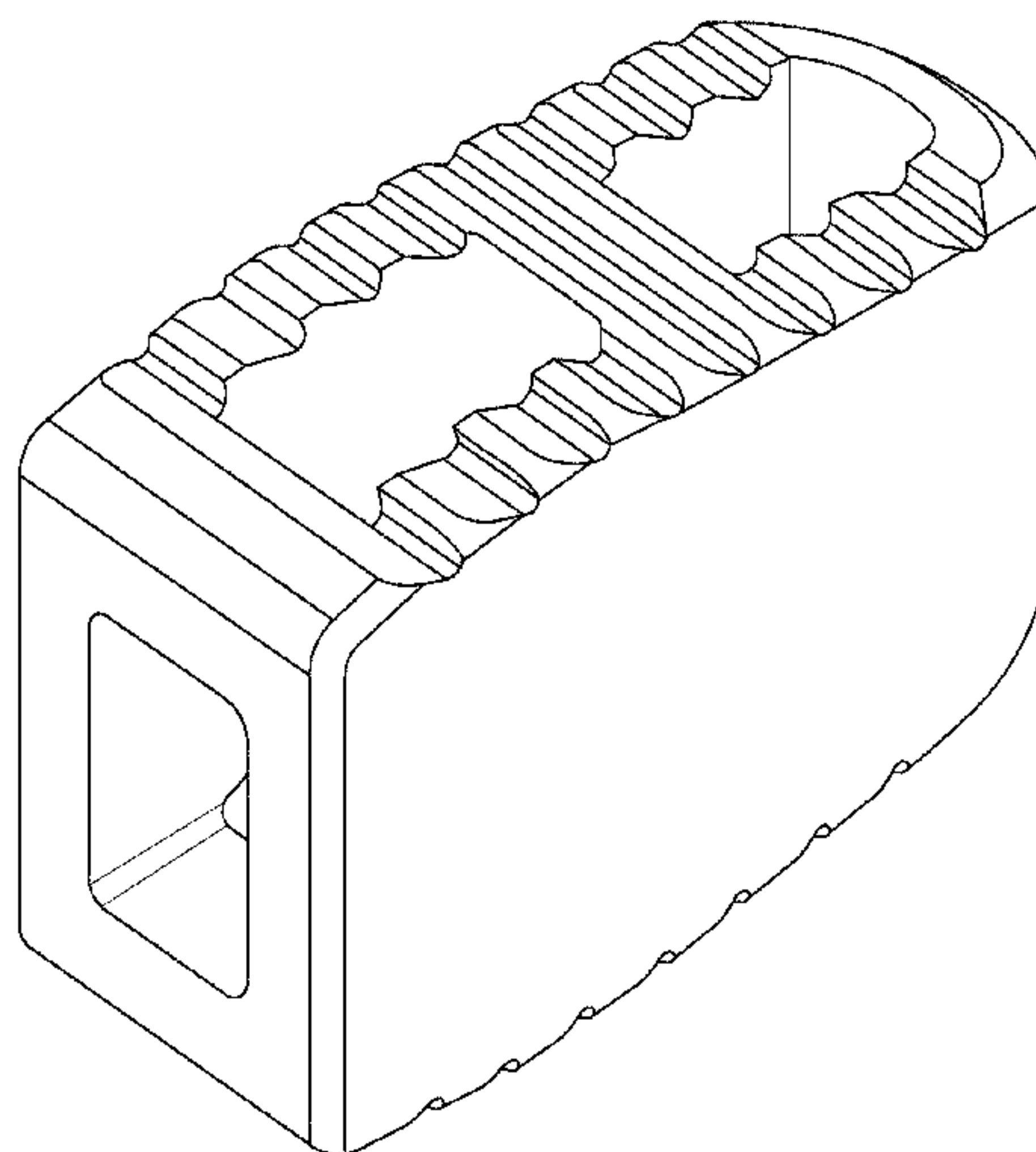
FIG. 1 is a perspective view from above of an embodiment of the claimed design;

FIG. 2 is a top view of the claimed design of FIG. 1, the bottom view is identical;

FIG. 3 is a left side view of the claimed design of FIG. 1, the right side view is identical; and,

FIG. 4 is a front view of the claimed design of FIG. 1.

1 Claim, 4 Drawing Sheets



(56)

References Cited

OTHER PUBLICATIONS

U.S. PATENT DOCUMENTS

2002/0026243 A1 2/2002 Lin
2002/0068976 A1 6/2002 Jackson
2003/0105526 A1* 6/2003 Bryant et al. 623/16.11
2003/0139812 A1 7/2003 Garcia et al.
2004/0082999 A1 4/2004 Mathys et al.
2004/0127990 A1 7/2004 Bartish et al.
2005/0149193 A1 7/2005 Zucherman et al.
2006/0015184 A1* 1/2006 Winterbottom et al. ... 623/18.11
2009/0182431 A1 7/2009 Butler et al.
2012/0143334 A1* 6/2012 Boyce et al. 623/16.11
2013/0144389 A1* 6/2013 Bonutti 623/17.16

International Preliminary Report on Patentability for PCT/US2008/
078038, dated Jul. 24, 2010, 5 pages.

International Search Report for PCT/US2008/078038, mailing date
Nov. 25, 2008, 1 page.

Written Opinion for PCT/US2007/019974, mail date Mar. 24, 2008,
6 pages.

* cited by examiner

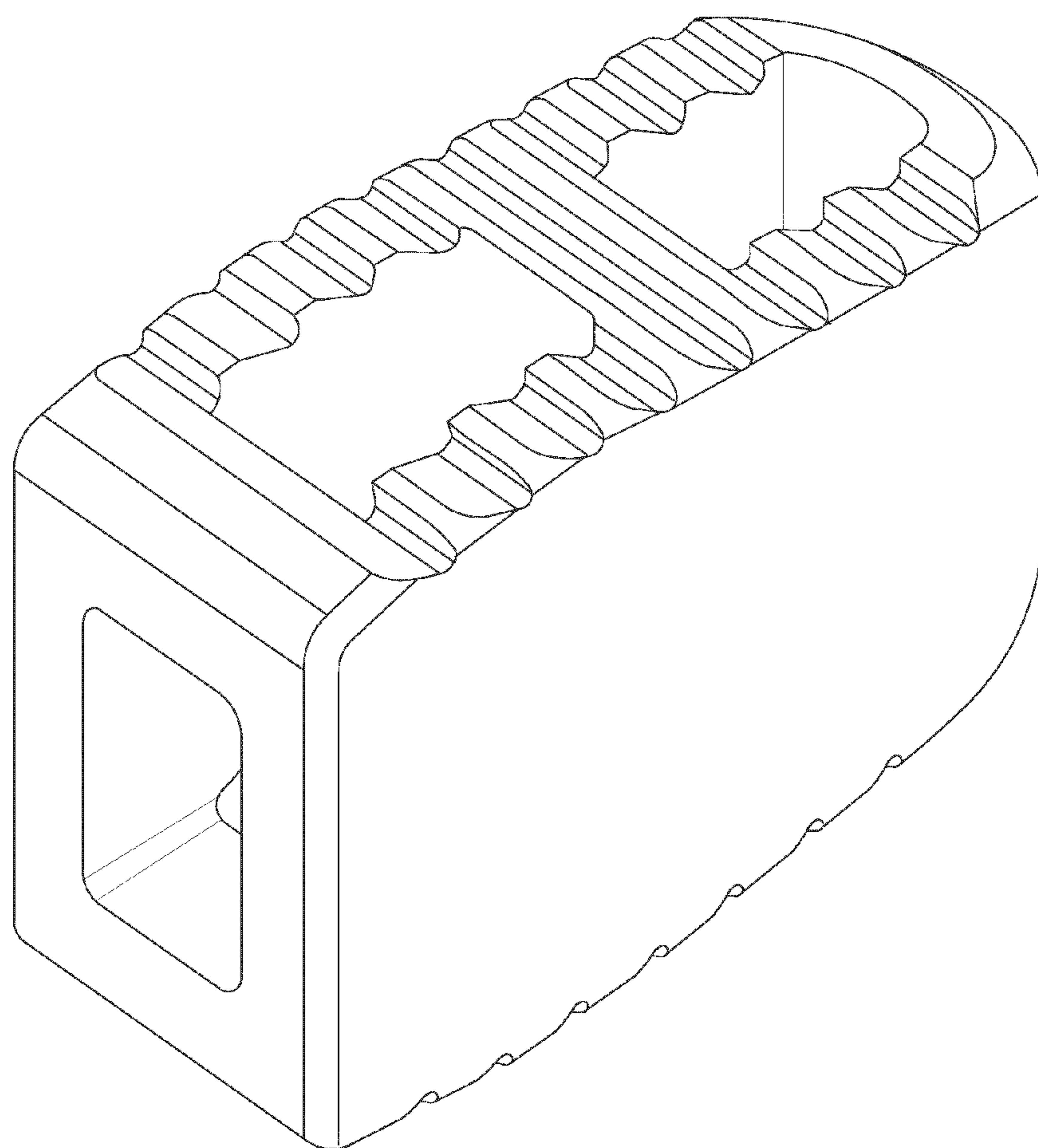


Fig. 1

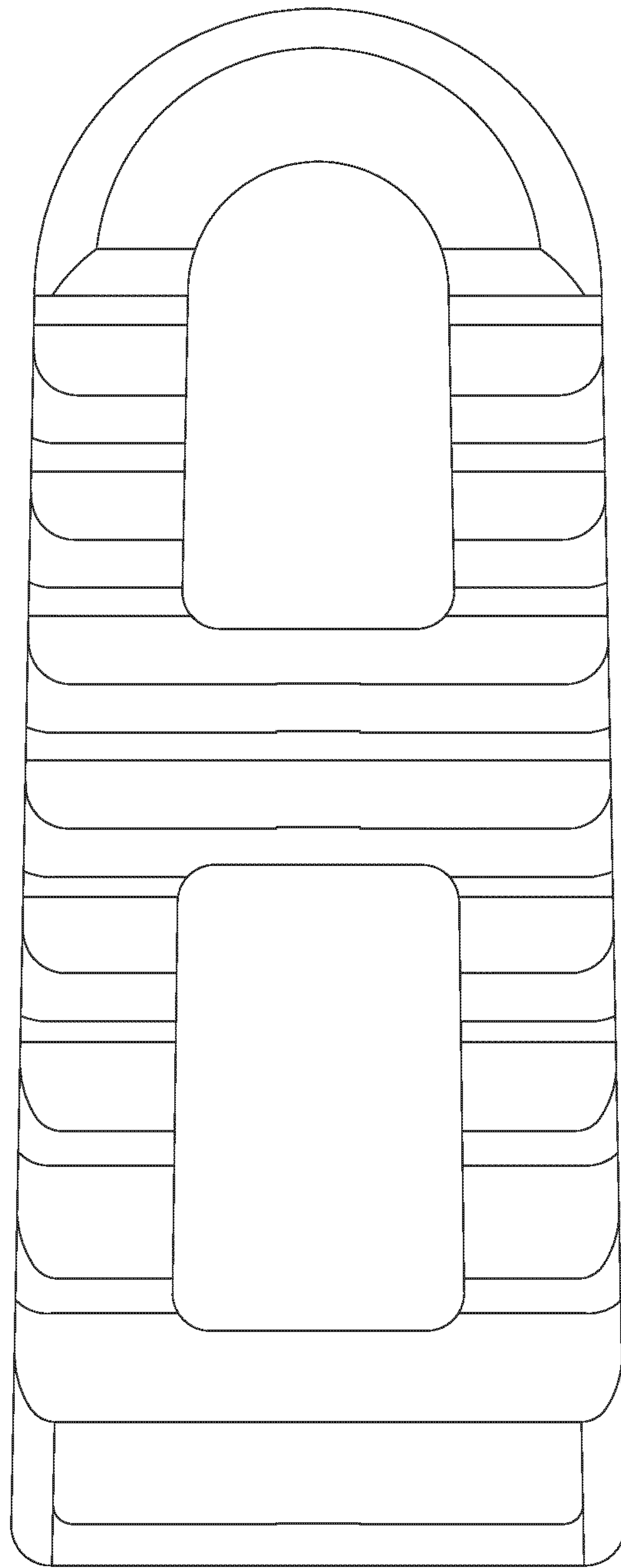


Fig. 2

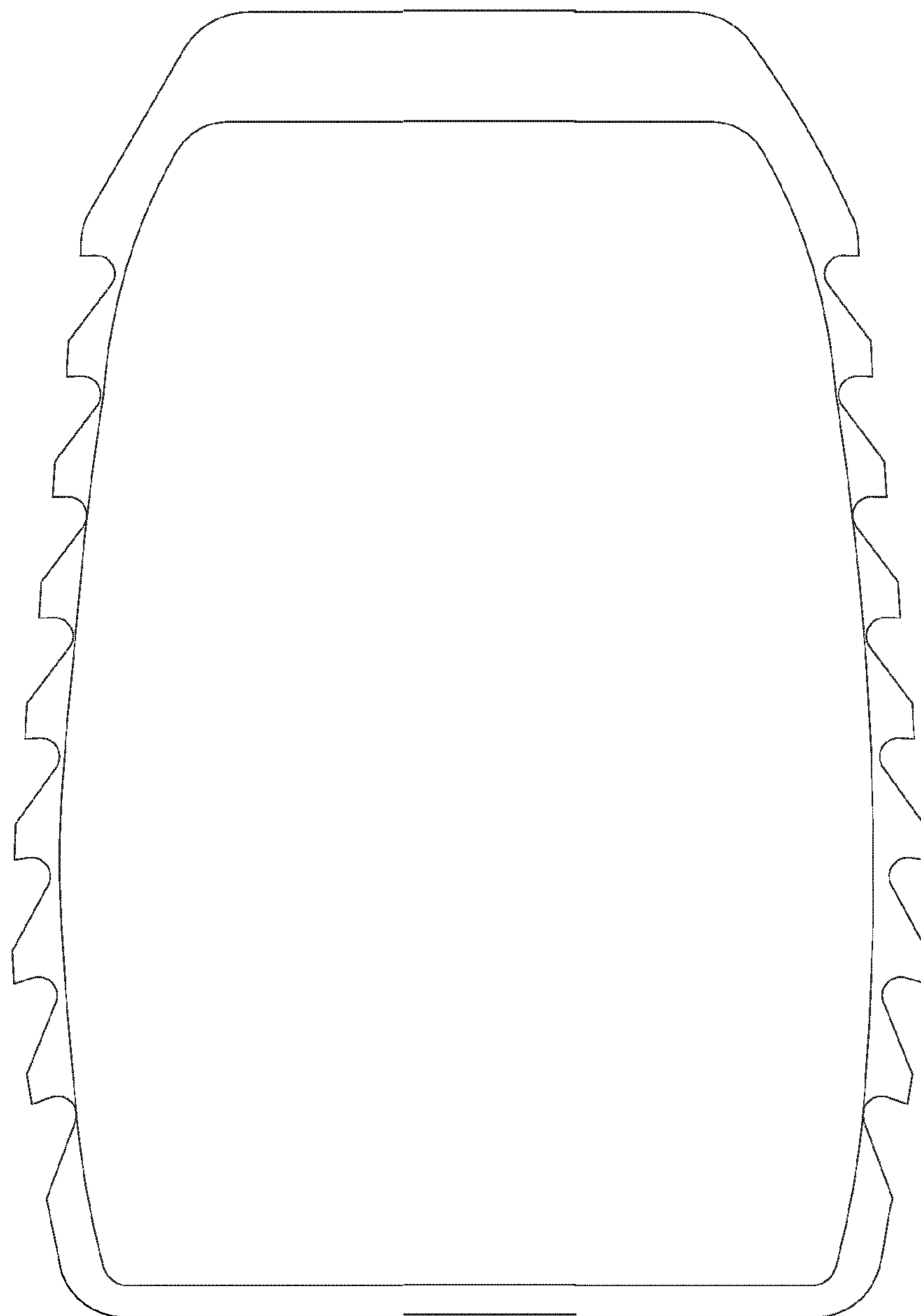


Fig. 3

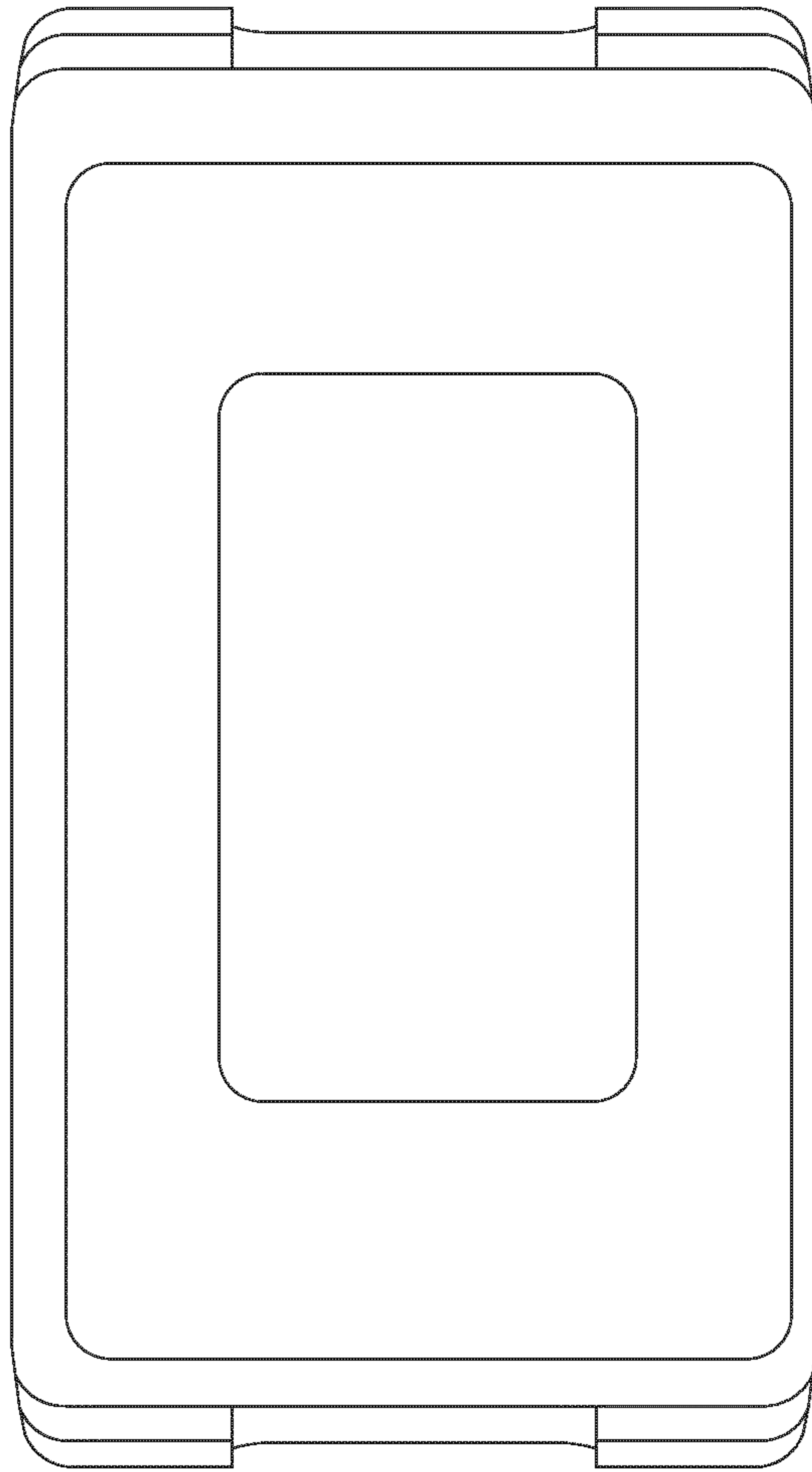


Fig. 4