



US00D737445S

(12) **United States Design Patent**  
**Yugari**

(10) **Patent No.:** **US D737,445 S**

(45) **Date of Patent:** **\*\* Aug. 25, 2015**

(54) **URINATION CONTROL DEVICE**  
(75) Inventor: **Masazumi Yugari**, Setagaya-ku (JP)

2005/0165383 A1\* 7/2005 Eshel et al. .... 604/544  
2011/0087337 A1\* 4/2011 Forsell ..... 623/23.68  
2012/0053570 A1\* 3/2012 Yugari et al. .... 604/544

(73) Assignee: **Cheiron Japan Co.**, Tokyo (JP)

**FOREIGN PATENT DOCUMENTS**

(\*\*) Term: **14 Years**

WO 2010/122976 10/2010

(21) Appl. No.: **29/382,368**

\* cited by examiner

(22) Filed: **Jan. 3, 2011**

*Primary Examiner* — Ian Simmons

*Assistant Examiner* — Charles Hanson

(30) **Foreign Application Priority Data**

(74) *Attorney, Agent, or Firm* — Wenderoth, Lind & Ponack, L.L.P.

Jul. 9, 2010 (JP) ..... 2010-016850

(57) **CLAIM**

(51) **LOC (10) Cl.** ..... **24-02**

The ornamental design for an urination control device, as shown and described.

(52) **U.S. Cl.**  
USPC ..... **D24/155**

**DESCRIPTION**

(58) **Field of Classification Search**  
USPC ..... D24/108, 112, 155, 141; 604/317, 326,  
604/327, 328, 338, 343, 540, 891.1  
CPC ... A61F 5/44544; A61F 5/451; A61F 5/4405;  
A61F 5/455; A61F 5/453  
See application file for complete search history.

FIG. 1 is a perspective view of the urination control device;  
FIG. 2 is a front view of the urination control device;  
FIG. 3 is a rear view thereof;  
FIG. 4 is a right side view thereof;  
FIG. 5 is a left side view thereof;  
FIG. 6 is a top perspective view thereof; and,  
FIG. 7 is a bottom plan view thereof.

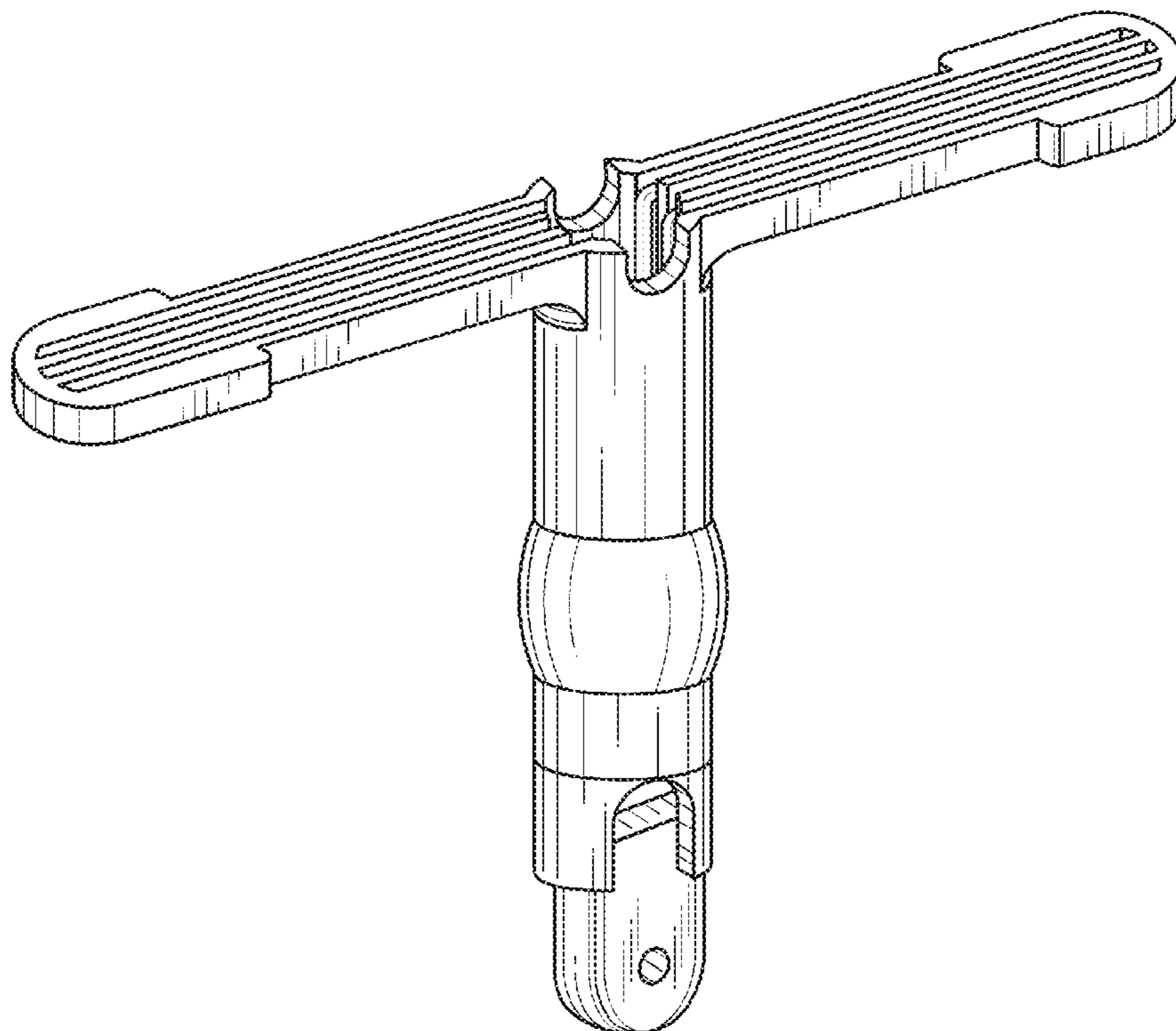
(56) **References Cited**

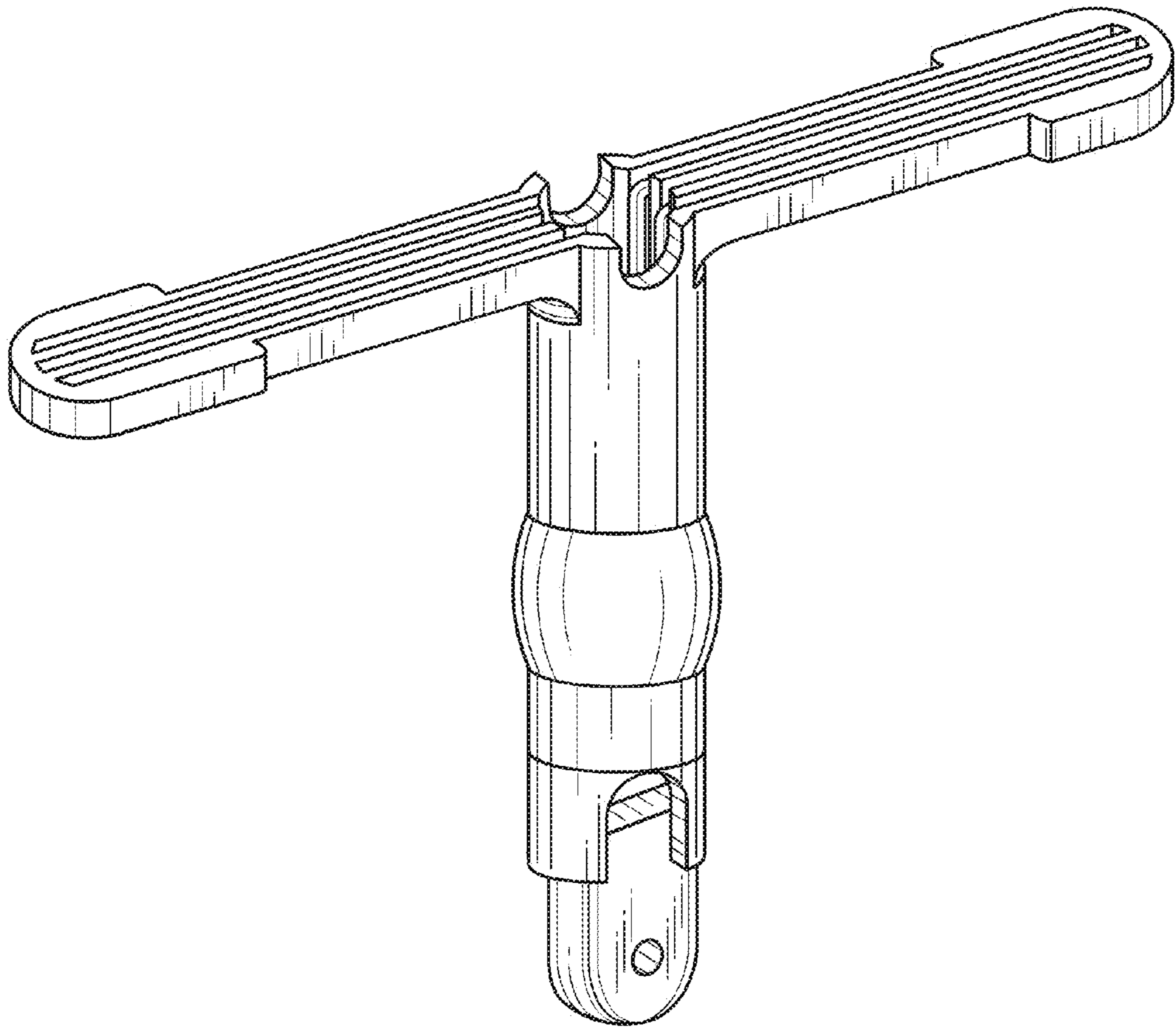
The broken lines shown in the drawings are included for the purpose of illustrating environment and form no part of the claimed design.

**U.S. PATENT DOCUMENTS**

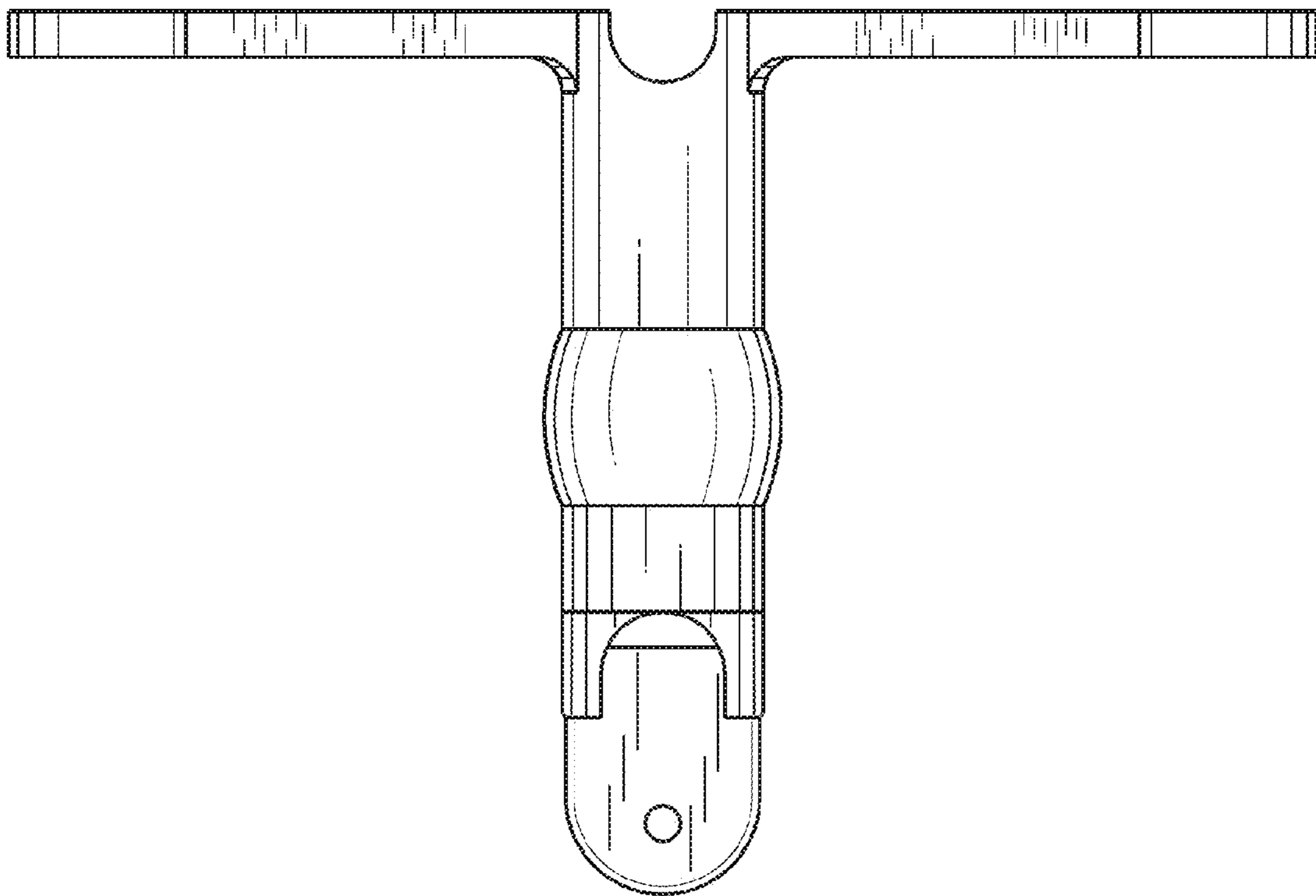
2004/0044307 A1\* 3/2004 Richardson et al. .... 604/102.01  
2004/0077989 A1\* 4/2004 Goode et al. .... 604/8

**1 Claim, 5 Drawing Sheets**

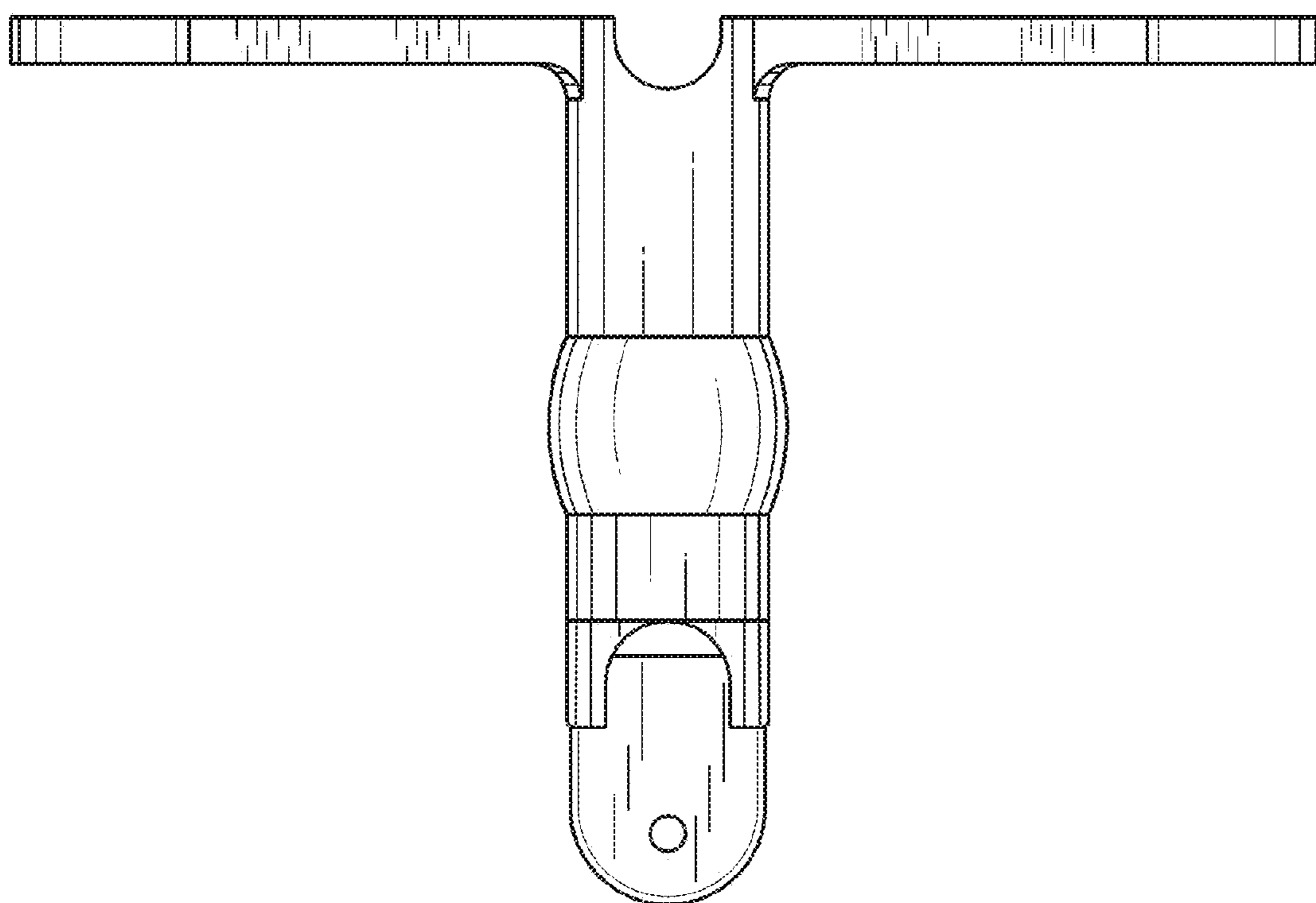




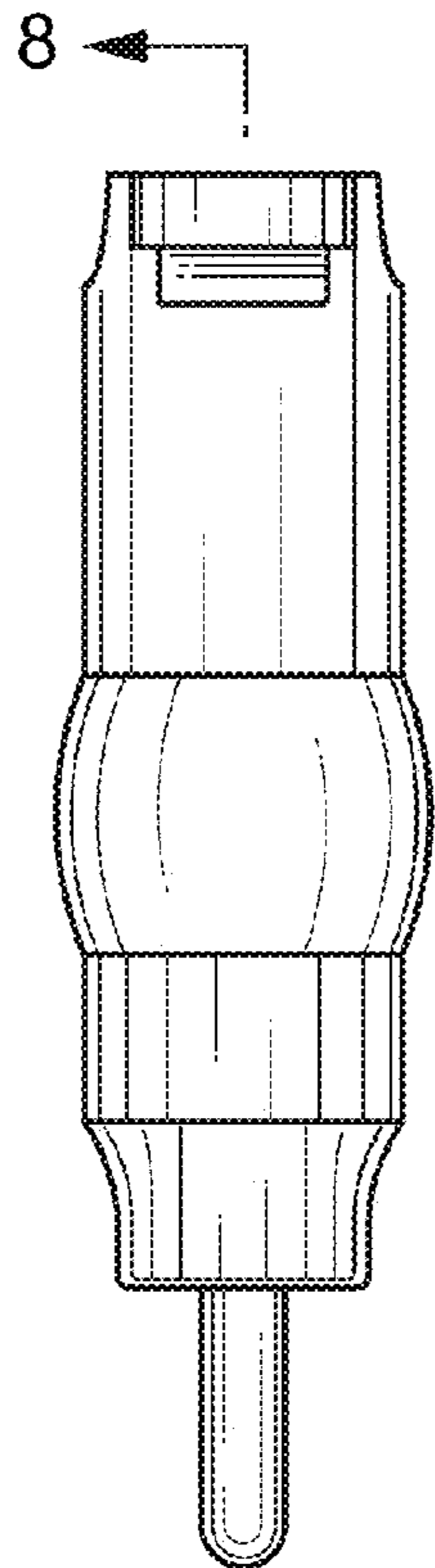
**FIG. 1**



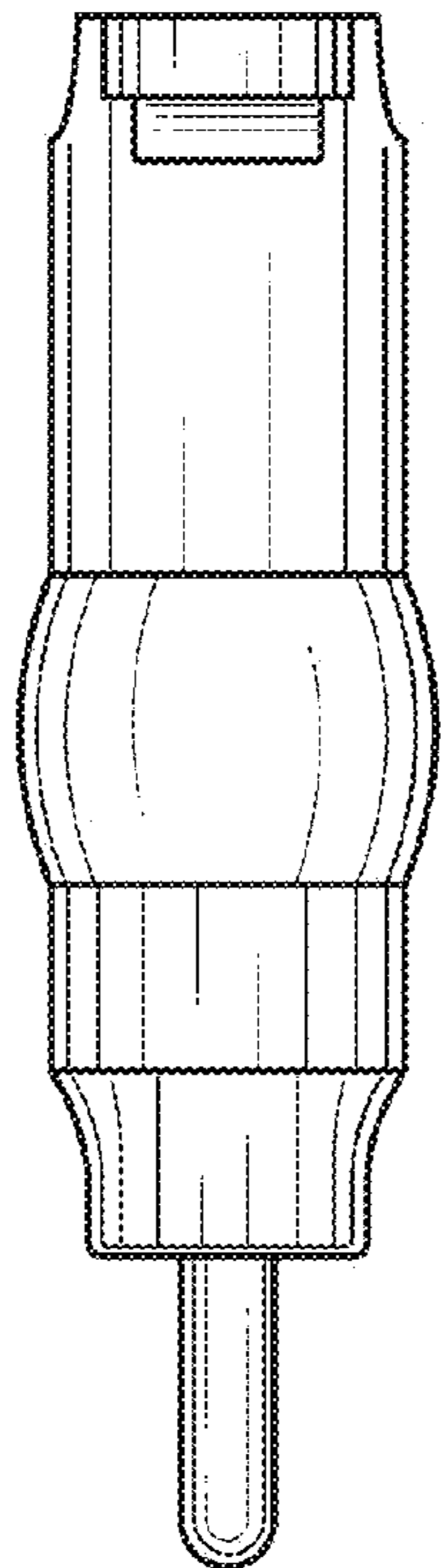
**FIG. 2**



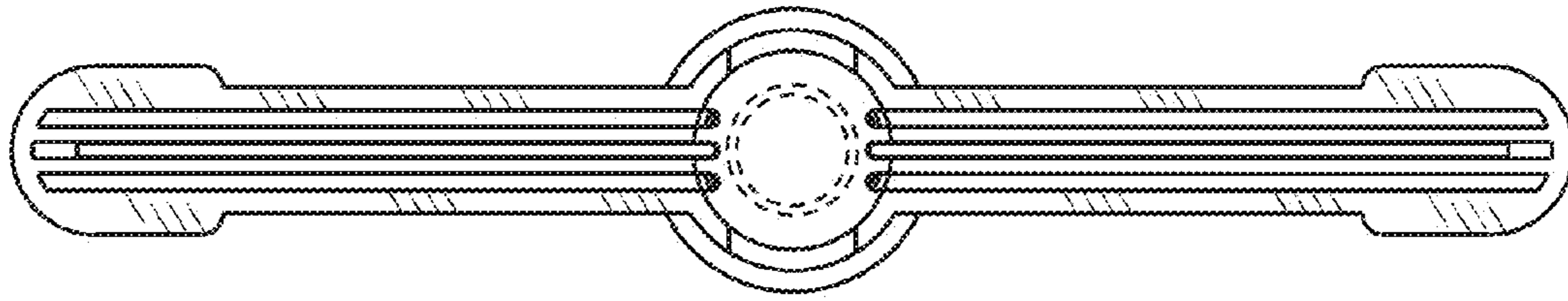
**FIG. 3**



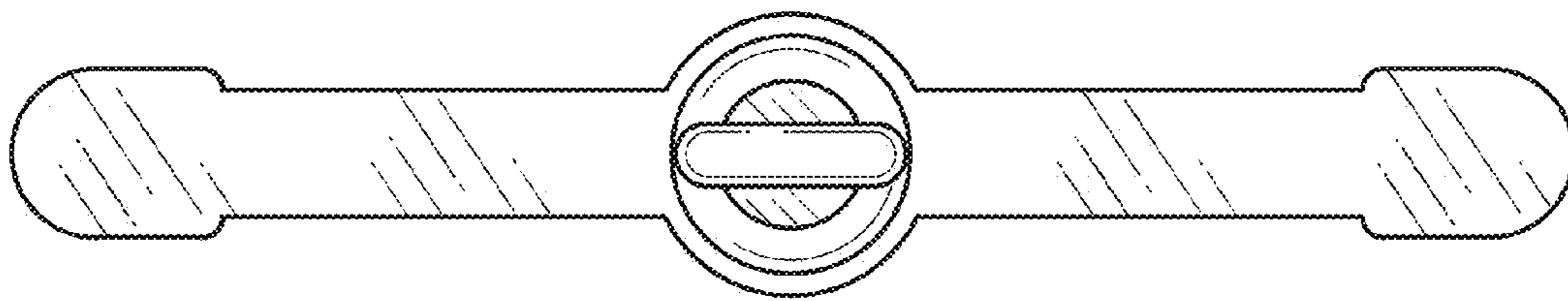
**FIG. 4**



**FIG. 5**



**FIG. 6**



**FIG. 7**