

US00D737444S

(12) **United States Design Patent**
Mueller

(10) **Patent No.:** **US D737,444 S**

(45) **Date of Patent:** **** Aug. 25, 2015**

(54) **HANDLE FOR SURGICAL TROCAR**

(71) Applicant: **KARL STORZ GmbH & Co. KG,**
Tuttlingen (DE)

(72) Inventor: **Annika Mueller,** Geislingen (DE)

(73) Assignee: **KARL STORZ GmbH & Co. KG,**
Tuttlingen (DE)

(**) Term: **14 Years**

(21) Appl. No.: **29/508,930**

(22) Filed: **Nov. 12, 2014**

(30) **Foreign Application Priority Data**

May 12, 2014 (EM) 002461954-0003
May 12, 2014 (EM) 002461954-0004

(51) **LOC (10) Cl.** **24-02**

(52) **U.S. Cl.**
USPC **D24/147**

(58) **Field of Classification Search**
USPC D7/649; D8/93, 97, 300, 310, 311, 313;
D19/110, 115; D24/127, 130, 133,
D24/146, 147, 148
CPC B26B 3/00; B26B 1/10; B26B 5/005;
A61B 17/809; A61B 17/1617; A61B 17/3211;
A61B 5/1411; A61B 17/3417
See application file for complete search history.

(56) **References Cited**

U.S. PATENT DOCUMENTS

D77,604 S * 1/1929 La Pierre D8/310
D185,635 S * 7/1959 Gerlach D8/310
5,261,891 A 11/1993 Brinkerhoff et al.
5,346,459 A 9/1994 Allen
D358,209 S 5/1995 Petruschke et al.
D362,066 S * 9/1995 Petruschke et al. D24/146
5,554,154 A * 9/1996 Rosenberg 606/80

(Continued)

Primary Examiner — Robert M Spear

Assistant Examiner — Marissa J Cash

(74) *Attorney, Agent, or Firm* — Muncy, Geissler, Olds &
Lowe, P.C.

(57) **CLAIM**

The ornamental design for a handle for surgical trocar, as shown and described.

DESCRIPTION

FIG. 1 is a bottom right perspective view of a handle for surgical trocar according to the present invention.

FIG. 2 is a top view of the handle for surgical trocar of FIG. 1.

FIG. 3 is a bottom view of the handle for surgical trocar of FIG. 1.

FIG. 4 is a right side view of the handle for surgical trocar of FIG. 1.

FIG. 5 is a left side view of the handle for surgical trocar of FIG. 1.

FIG. 6 is a rear view of the handle for surgical trocar of FIG. 1.

FIG. 7 is a front view of the handle for surgical trocar of FIG. 1.

FIG. 8 is a bottom right perspective view of a handle for surgical trocar shown in an environment of use.

FIG. 9 is a top view of the handle for surgical trocar of FIG. 8.

FIG. 10 is a bottom view of the handle for surgical trocar of FIG. 8.

FIG. 11 is a right side view of the handle for surgical trocar of FIG. 8.

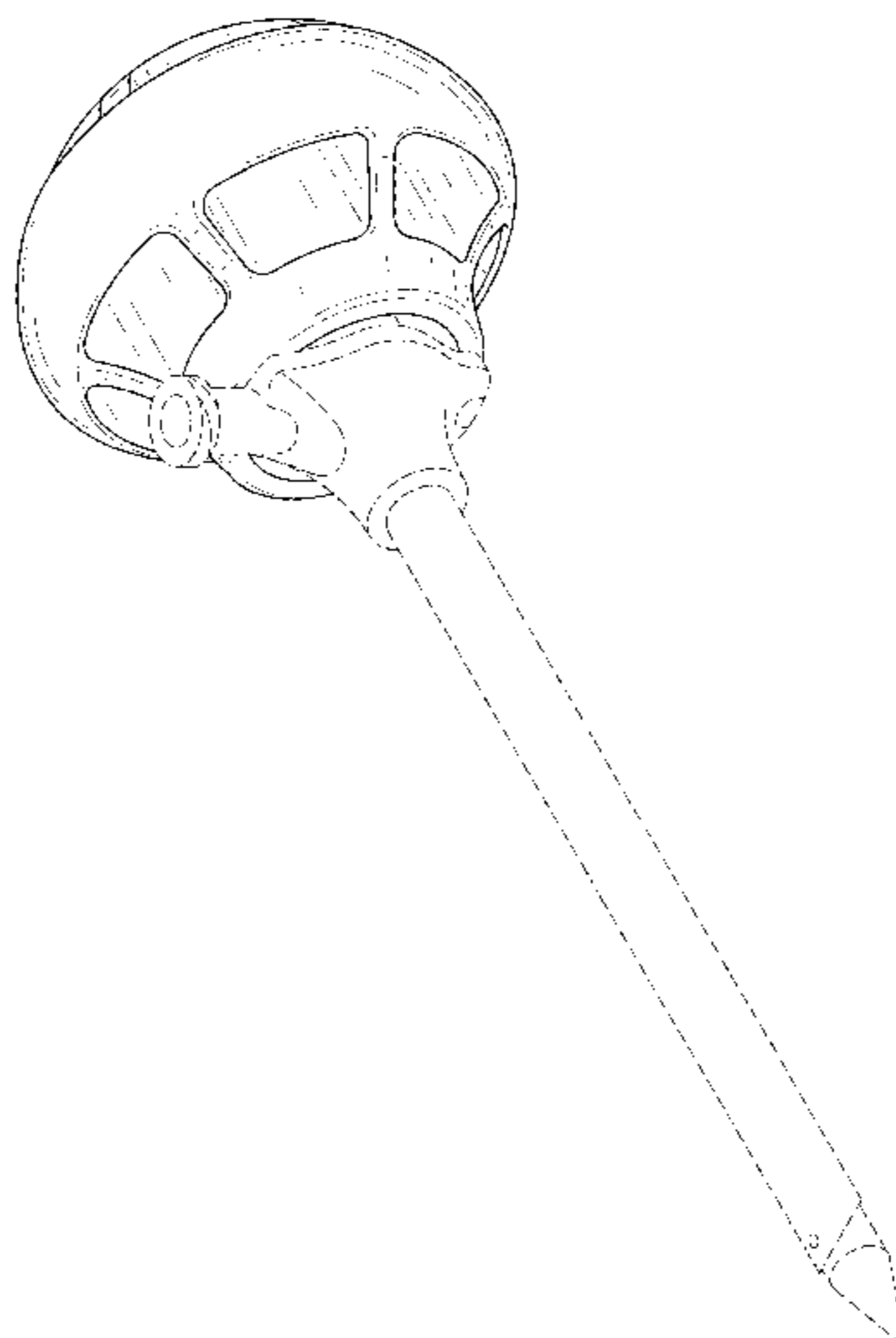
FIG. 12 is a left side view of the handle for surgical trocar of FIG. 8.

FIG. 13 is a rear view of the handle for surgical trocar of FIG. 8; and,

FIG. 14 is a front view of the handle for surgical trocar of FIG. 8.

The dashed lines illustrate environment that does not form a part of the present invention, and no claim is made to the material illustrated with dashed lines.

1 Claim, 13 Drawing Sheets



(56)

References Cited

U.S. PATENT DOCUMENTS

D422,481 S *	4/2000	Bertani	D8/310	D542,115 S *	5/2007	Hanna et al.	D8/310
D459,646 S *	7/2002	Bertani	D8/310	D552,733 S *	10/2007	Criscuolo et al.	D24/146
D490,895 S *	6/2004	Bogazzi	D24/133	D589,616 S *	3/2009	Carter	D24/146
D490,896 S *	6/2004	Bogazzi	D24/133	D600,997 S *	9/2009	McConnell	D8/310
D495,053 S	8/2004	Laun			D614,297 S *	4/2010	Criscuolo et al.	D24/133
D496,729 S *	9/2004	Pajunk et al.	D24/146	D652,137 S *	1/2012	Nino et al.	D24/133
D497,668 S *	10/2004	Bogazzi	D24/133	D726,524 S *	4/2015	Borjesson	D8/311
D533,275 S *	12/2006	Laun	D24/146	2004/0260244 A1 *	12/2004	Piechowicz et al.	604/167.06
					2006/0030870 A1 *	2/2006	Staudner	606/167
					2006/0264992 A1 *	11/2006	Franer et al.	606/167

* cited by examiner

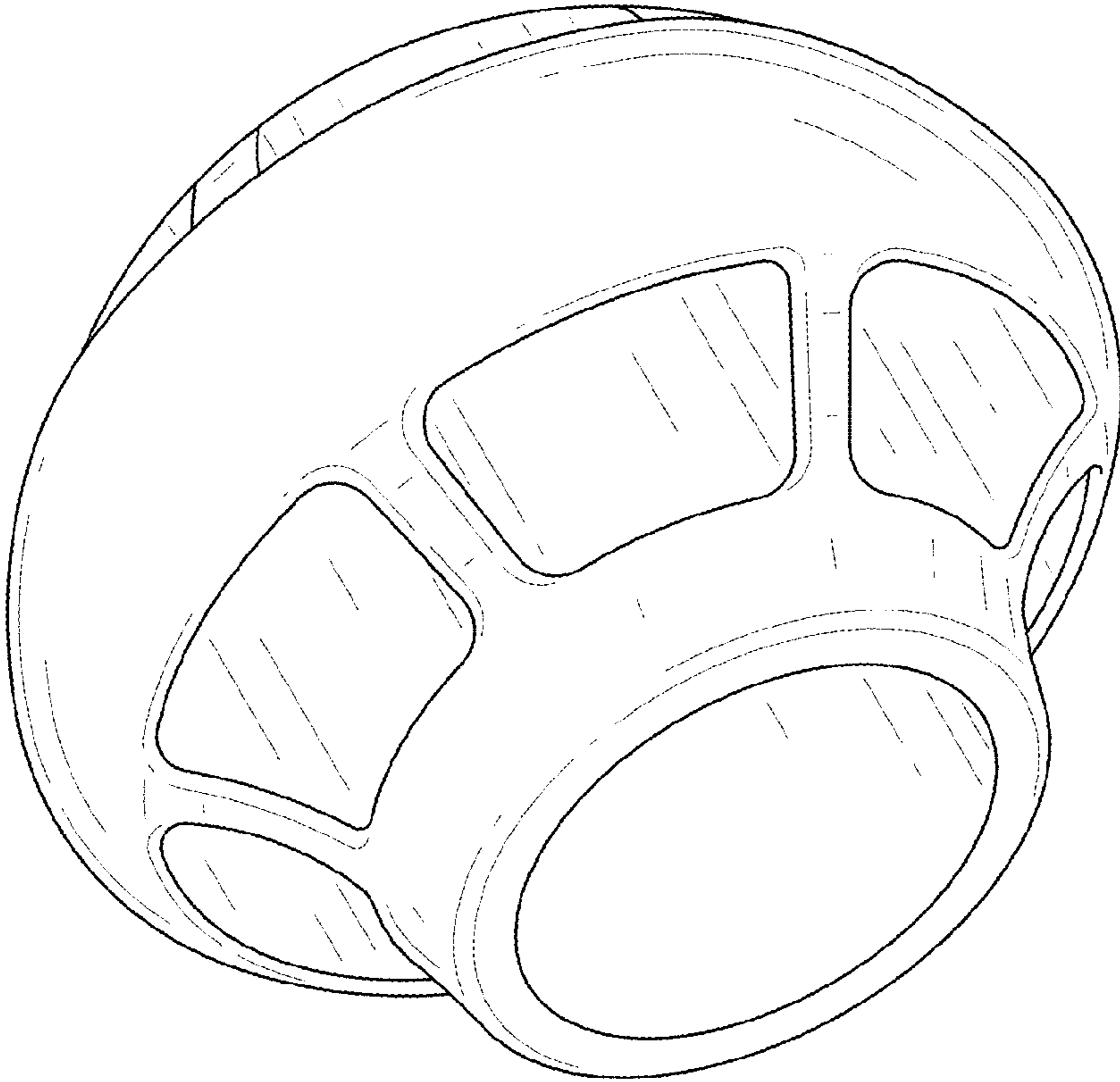


FIG.1

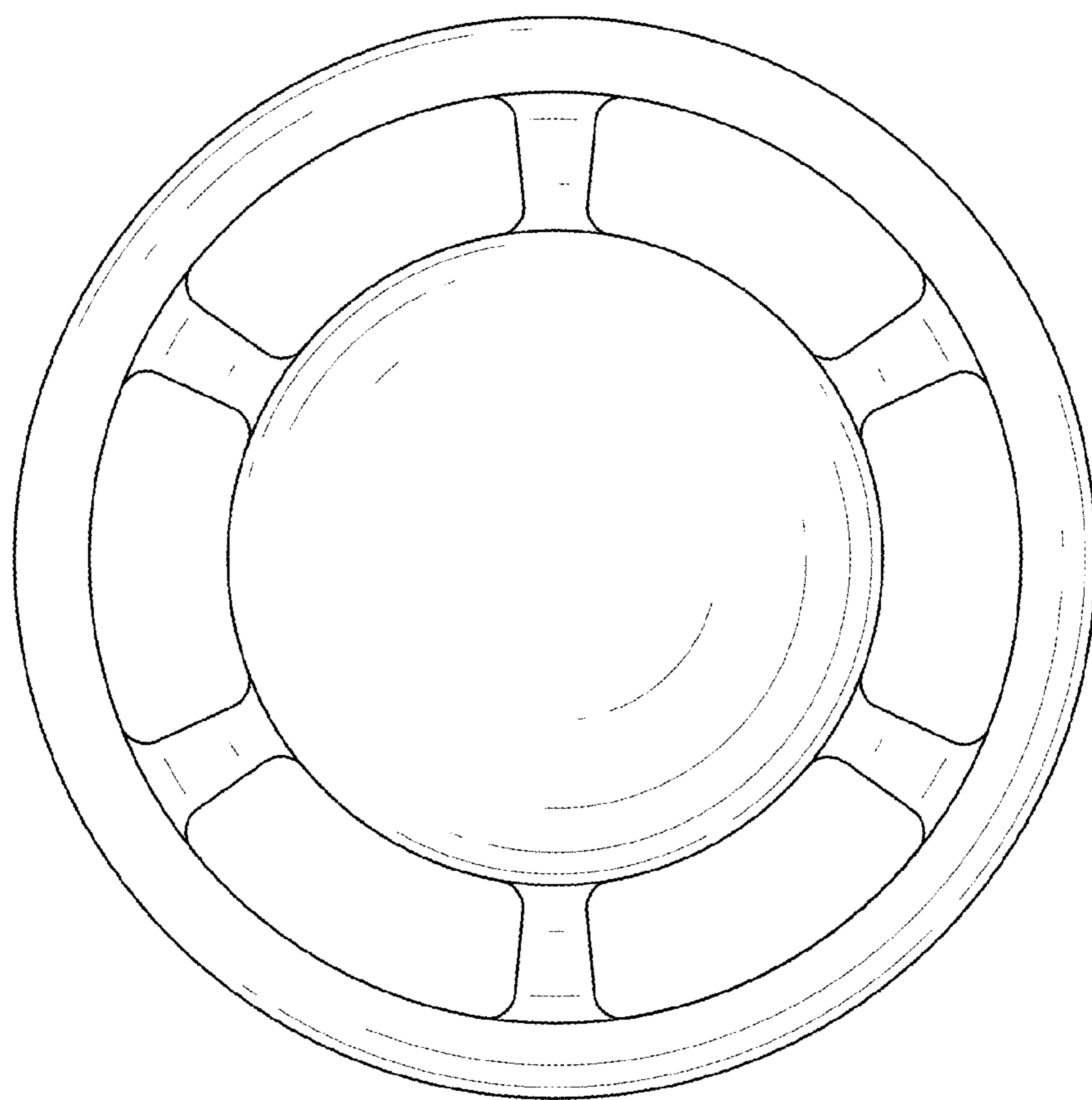


FIG.2

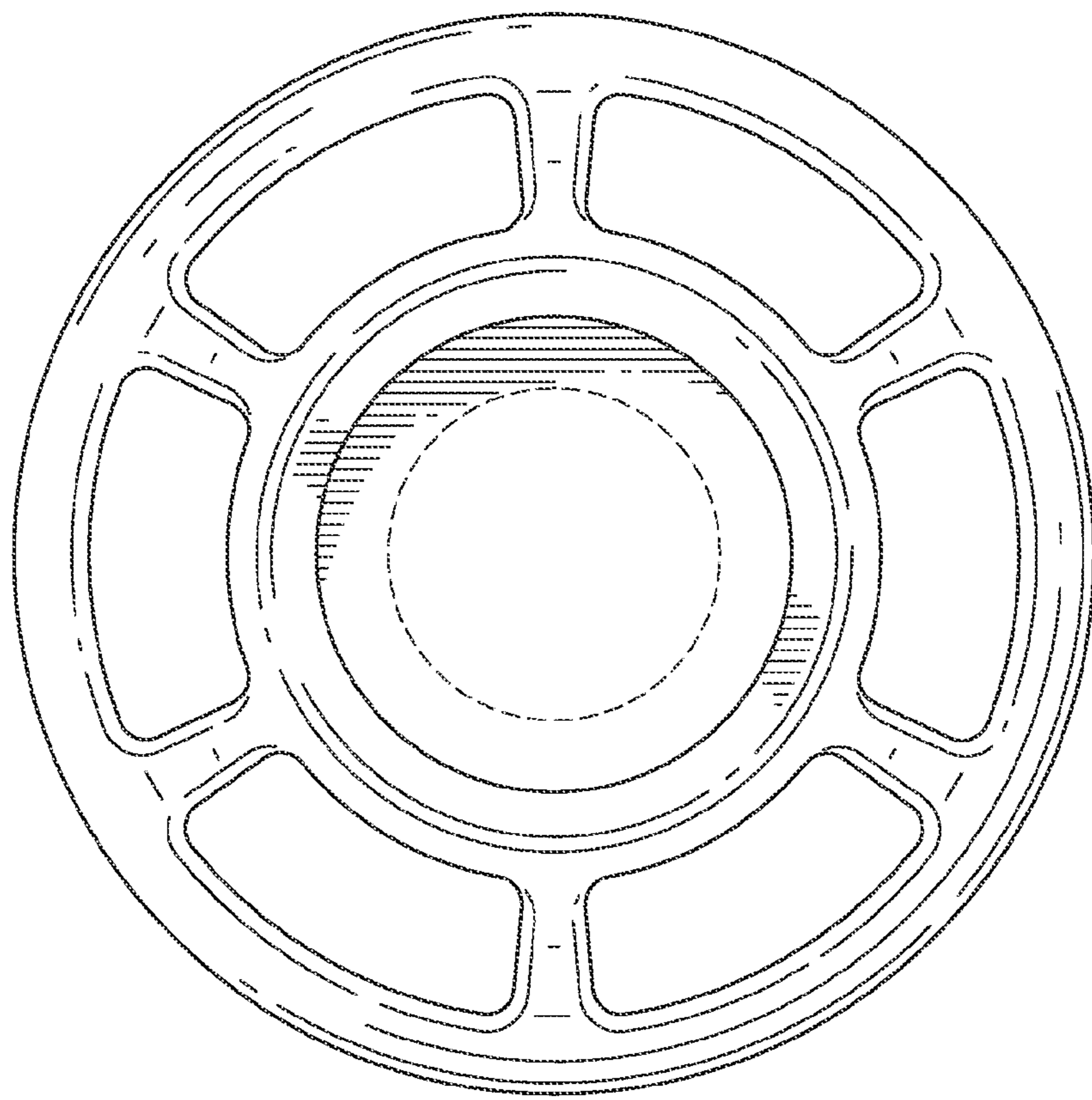


FIG.3

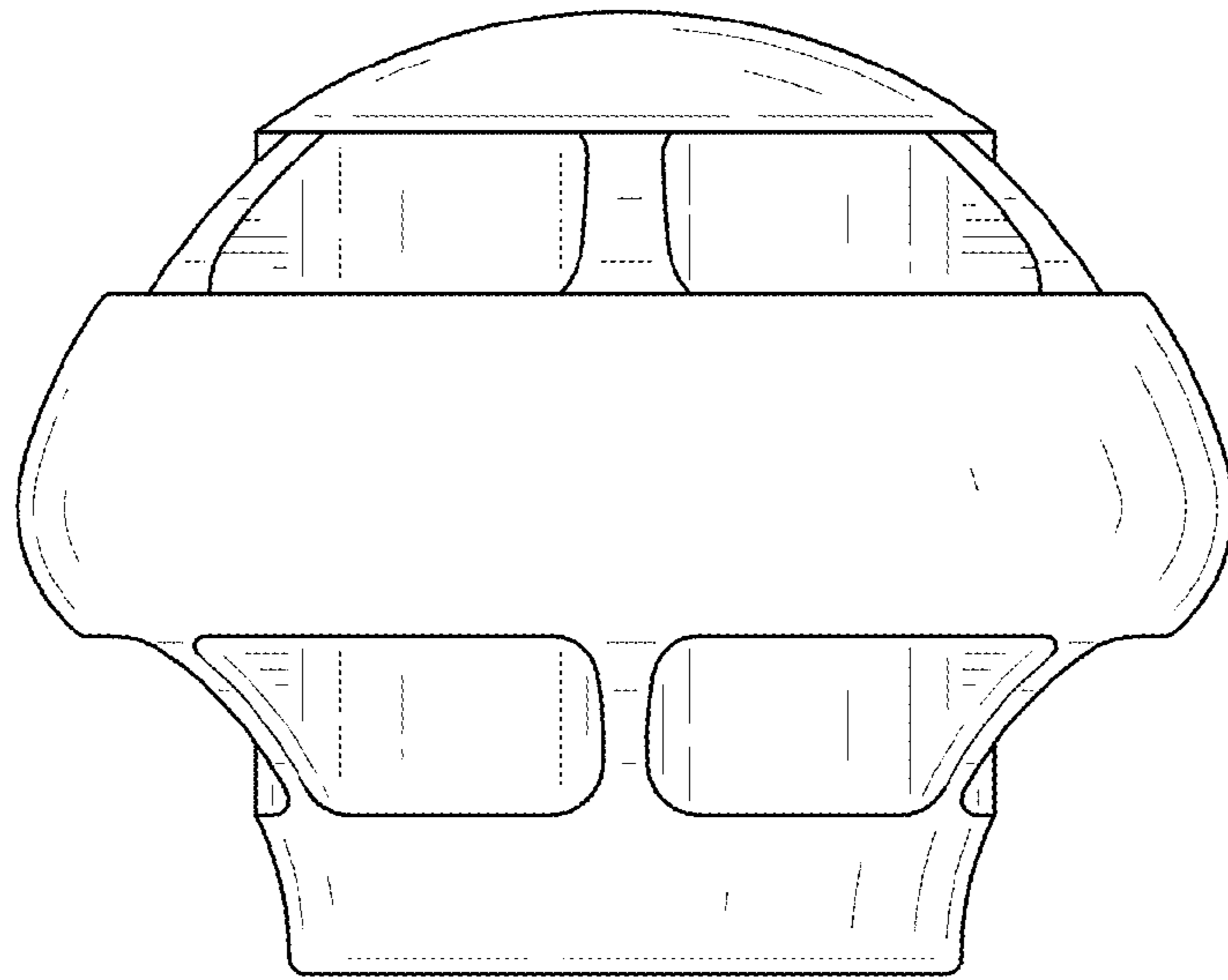


FIG.4

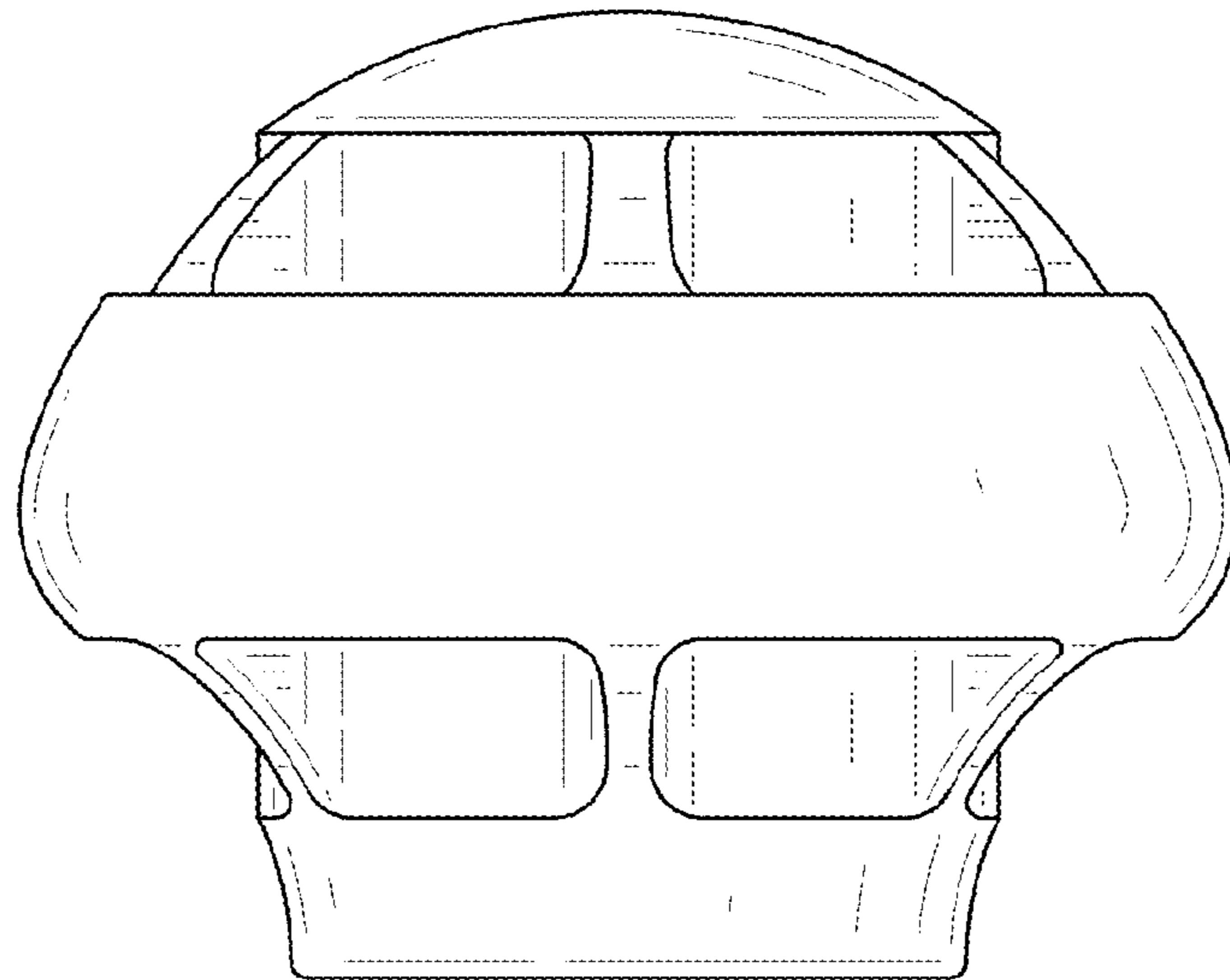


FIG.5

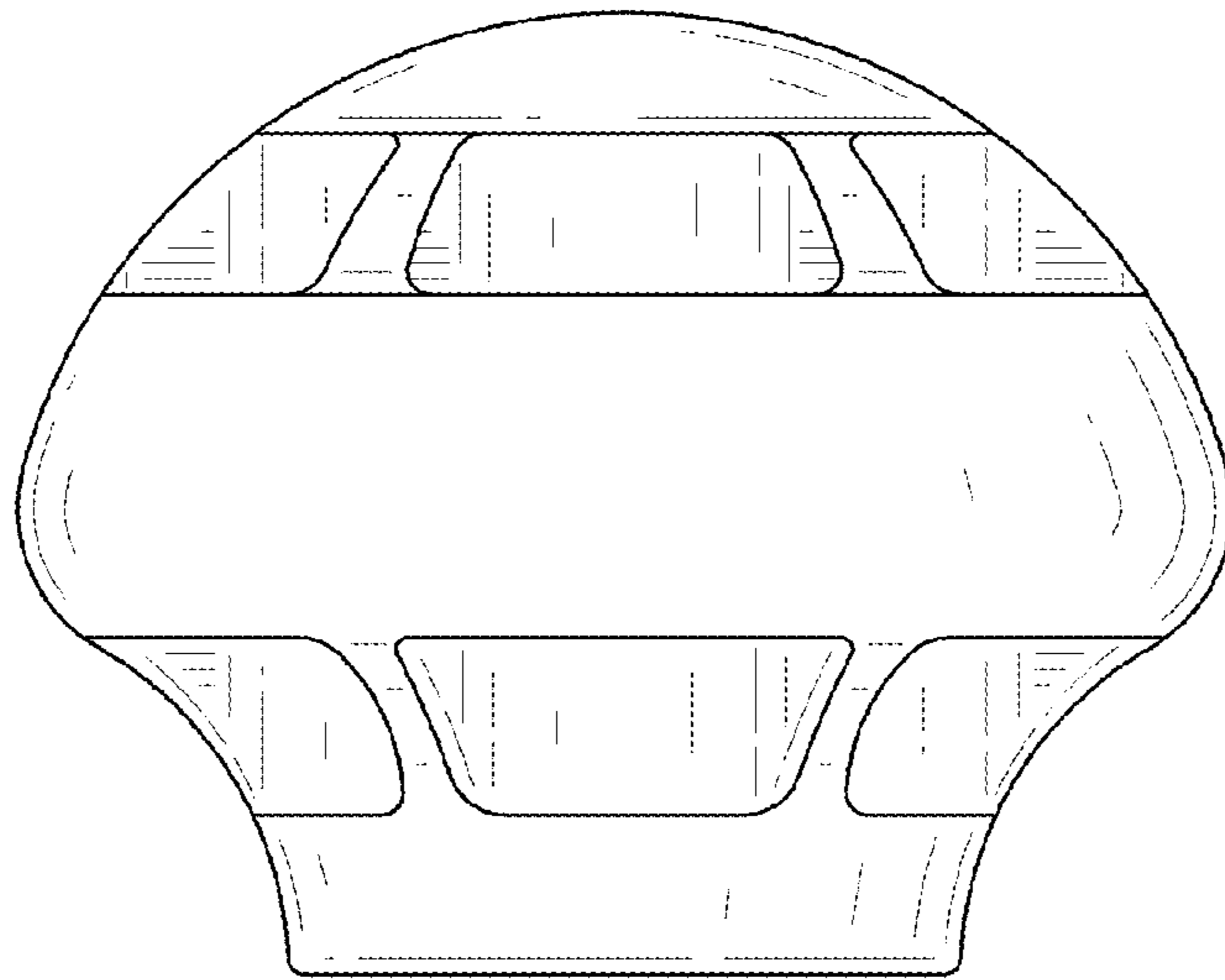


FIG.6

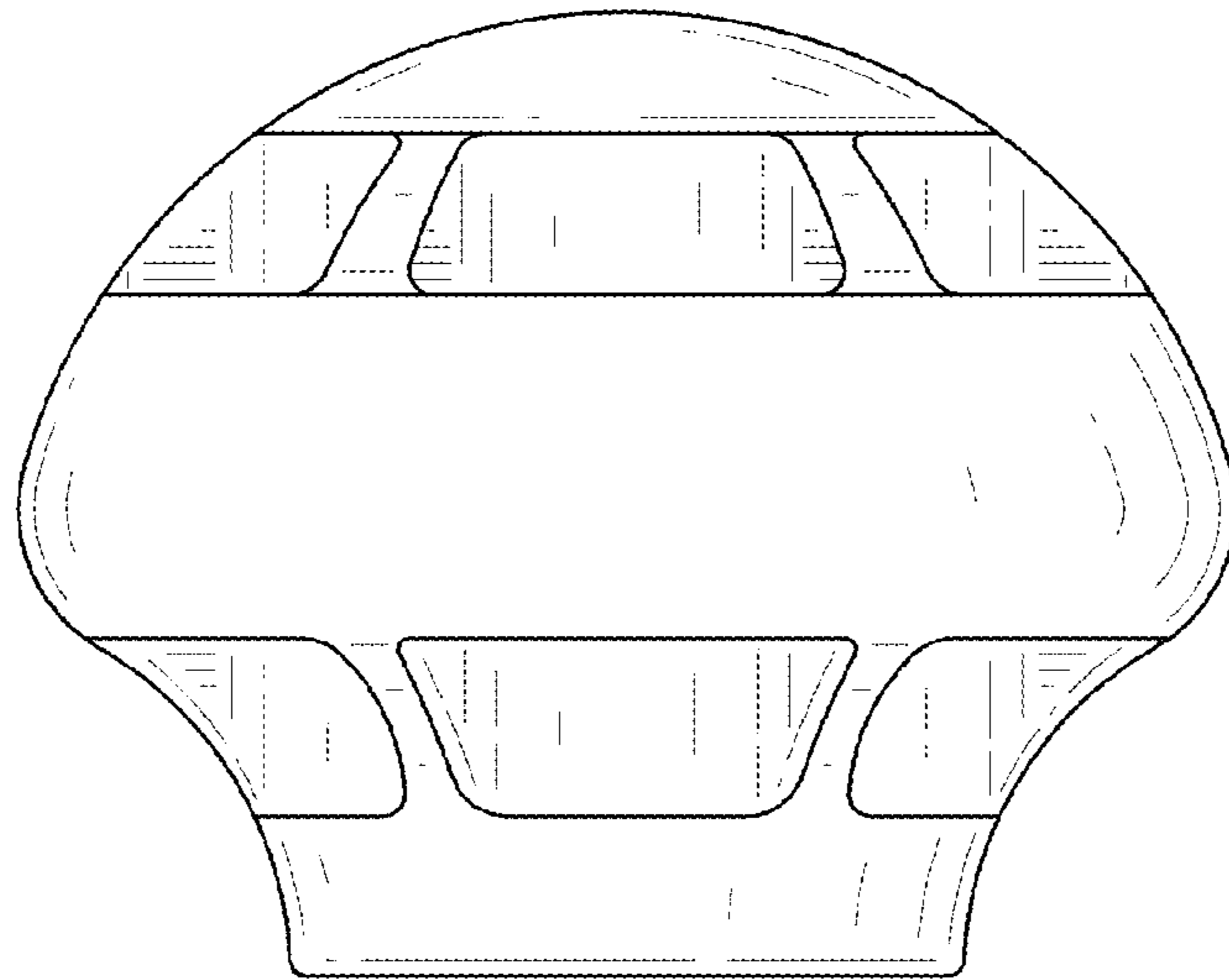


FIG.7

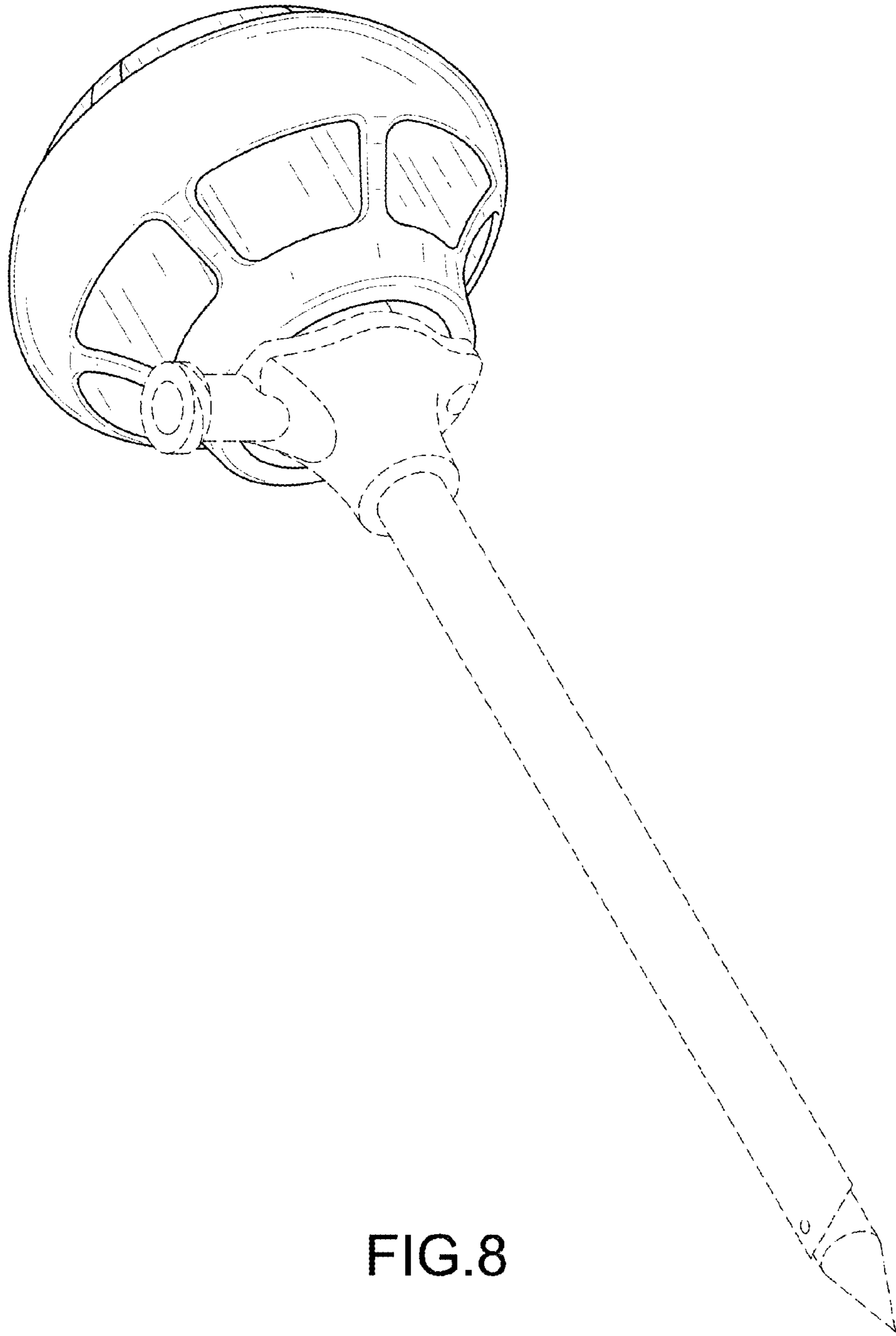


FIG. 8

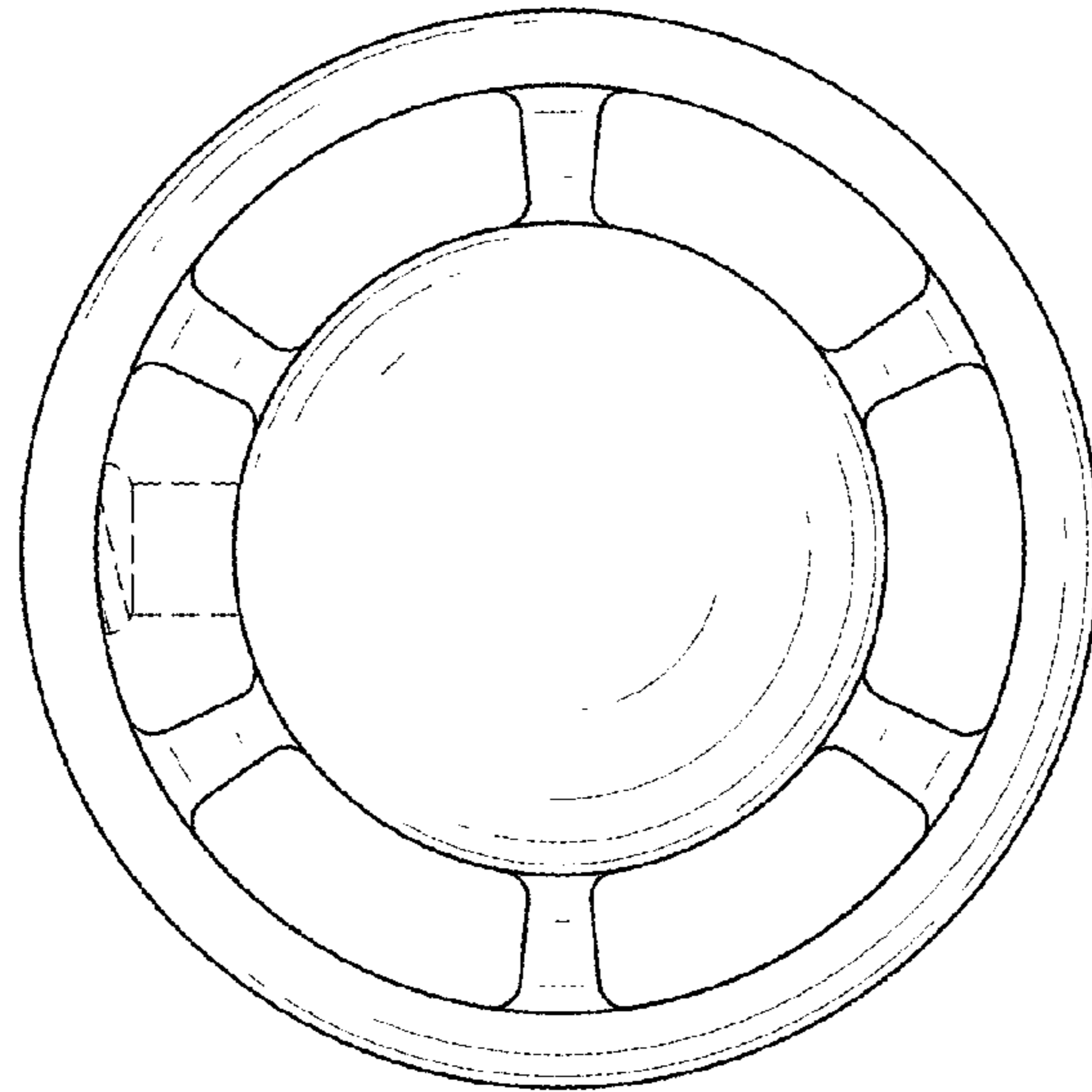


FIG. 9

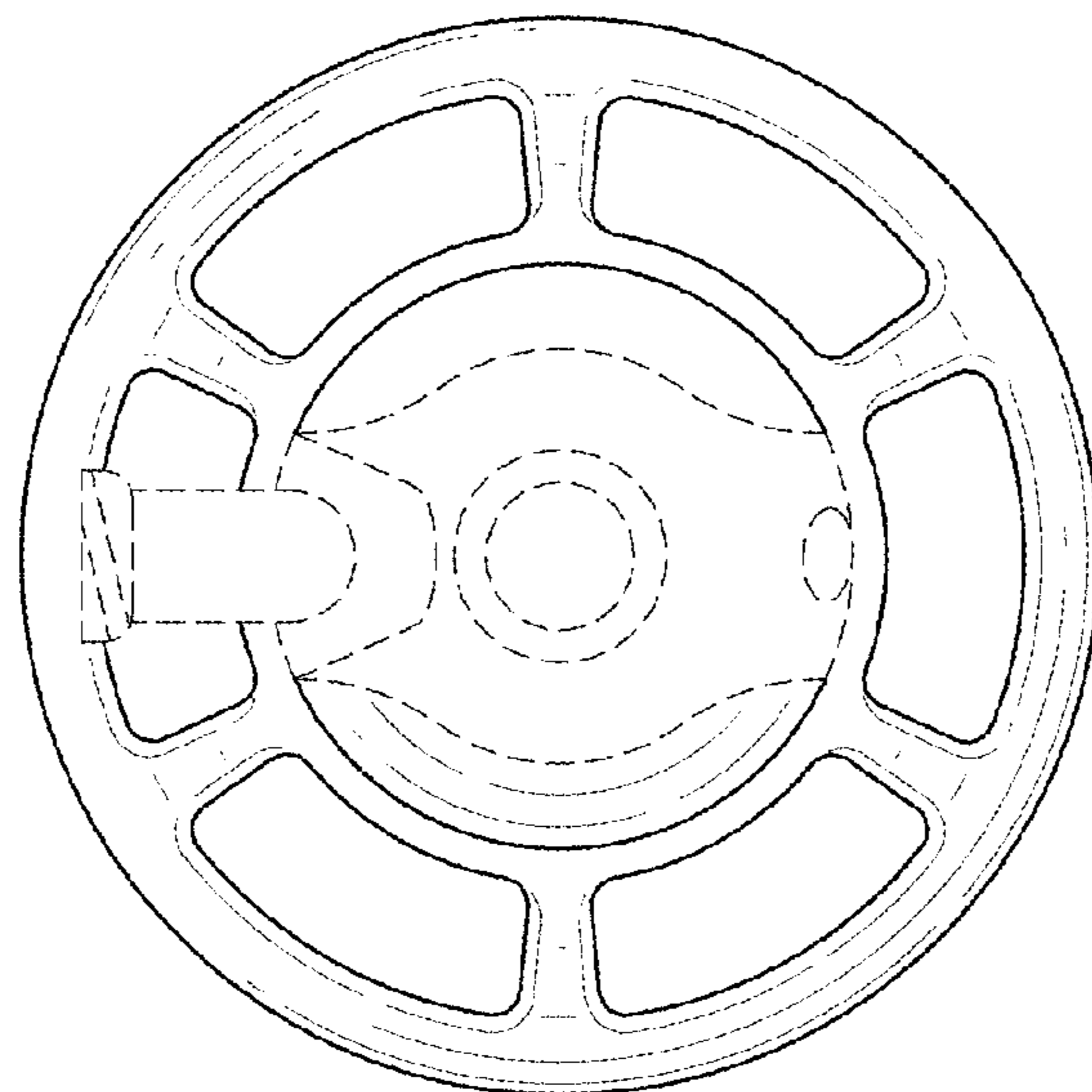


FIG. 10

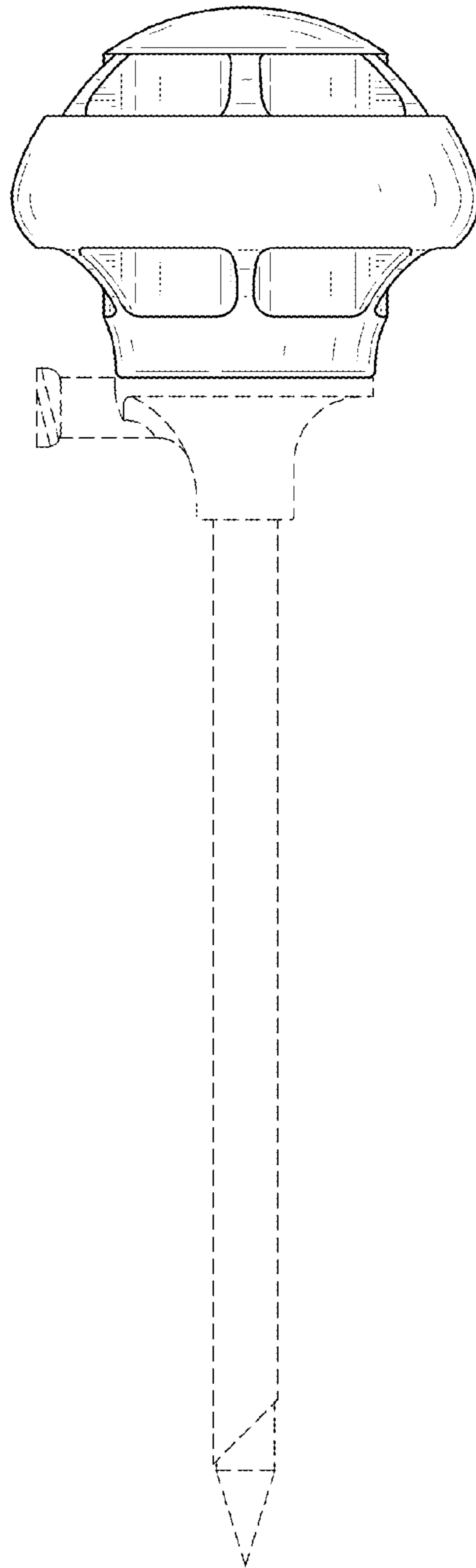


FIG.11

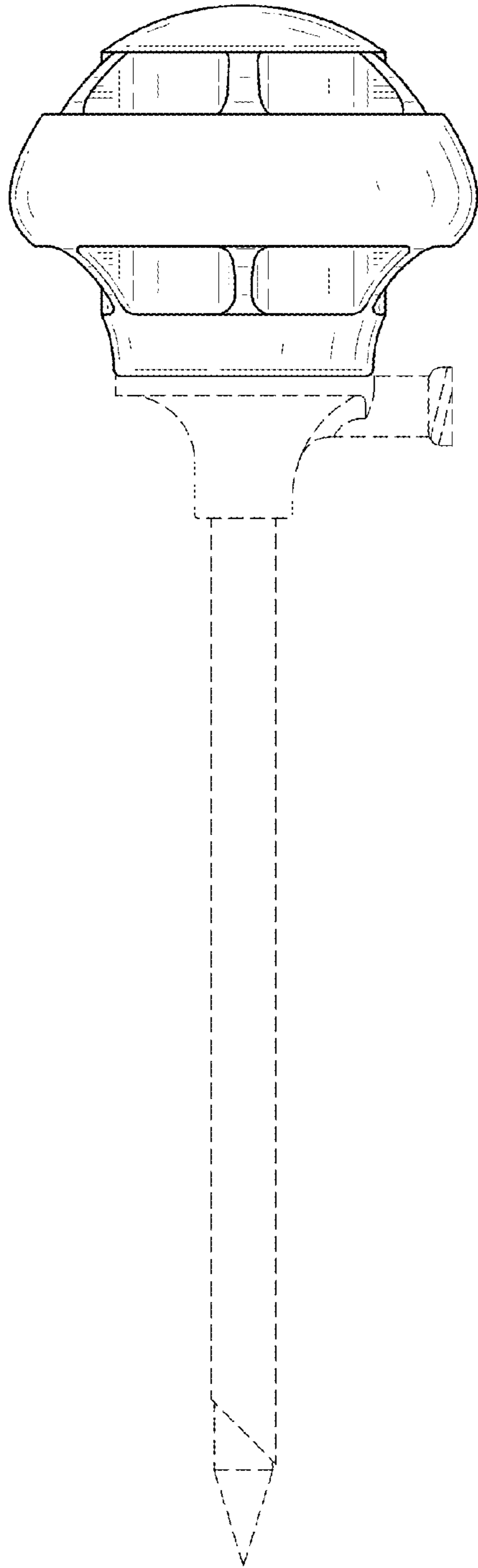


FIG.12

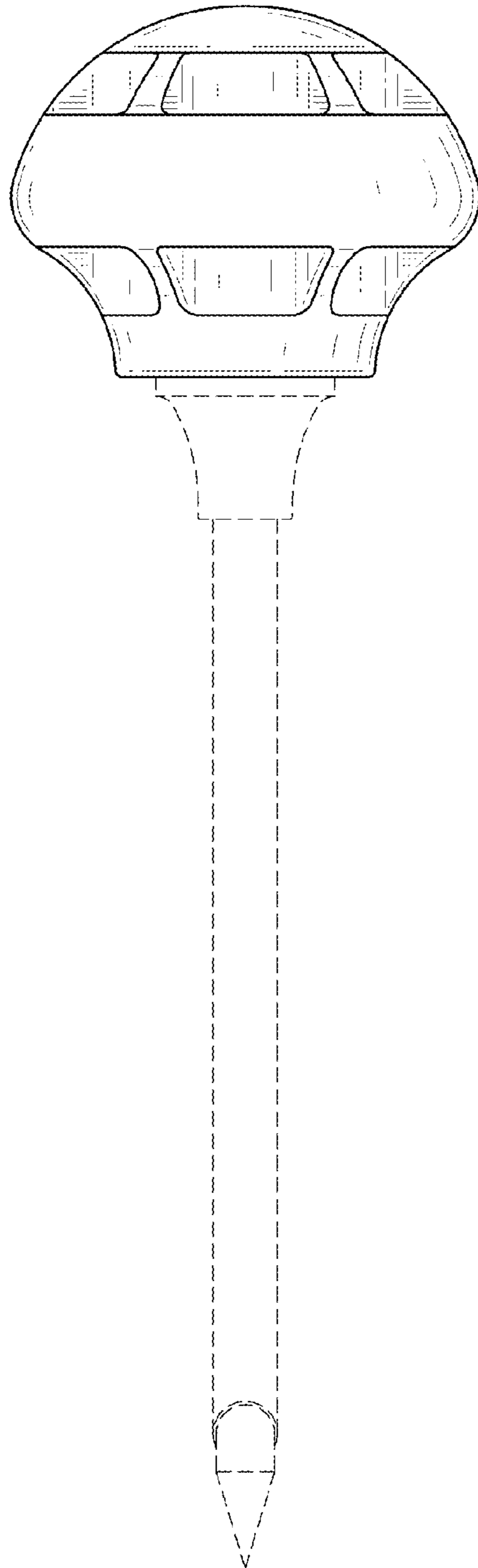


FIG.13

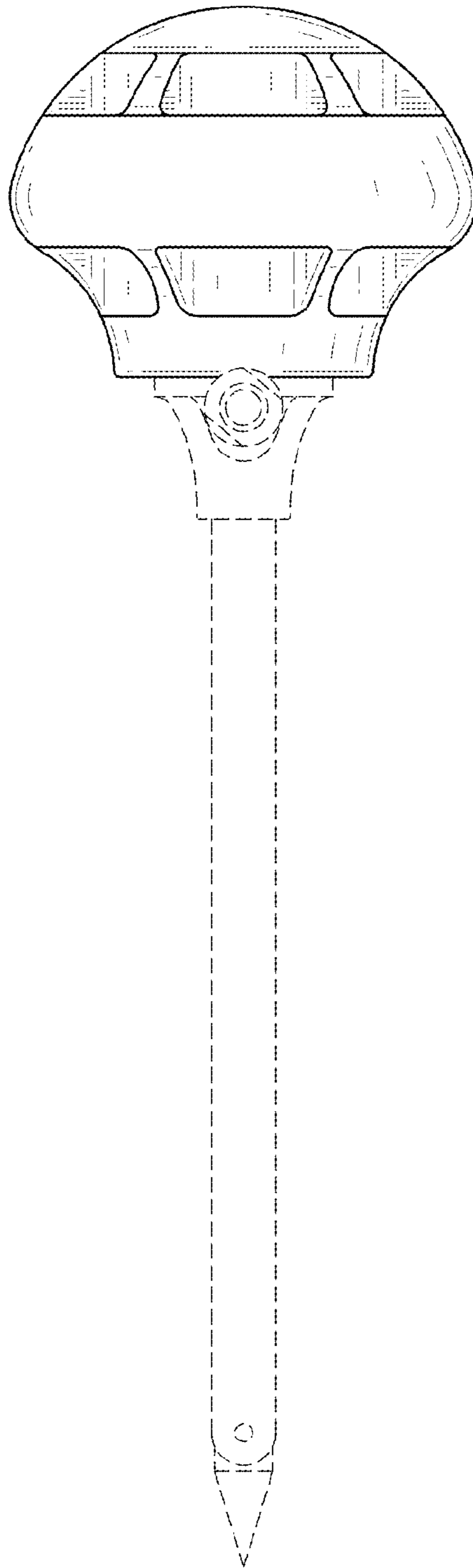


FIG. 14