

US00D737443S

(12) **United States Design Patent**  
**Ciravolo et al.**

(10) **Patent No.:** **US D737,443 S**

(45) **Date of Patent:** **\*\* Aug. 25, 2015**

(54) **FIXATION INSTRUMENT**

(71) Applicants: **Giuseppe Ciravolo**, Bresica (IT); **Uwe Wittke**, Tuttlingen (DE)

(72) Inventors: **Giuseppe Ciravolo**, Bresica (IT); **Uwe Wittke**, Tuttlingen (DE)

(73) Assignee: **Karl Storz GmbH & Co. KG** (DE)

(\*\*) Term: **14 Years**

(21) Appl. No.: **29/477,630**

(22) Filed: **Dec. 24, 2013**

(30) **Foreign Application Priority Data**

Jun. 24, 2013 (EM) ..... 002261560

(51) **LOC (10) Cl.** ..... **24-02**

(52) **U.S. Cl.**  
USPC ..... **D24/147**

(58) **Field of Classification Search**  
USPC ..... D24/146, 147, 133; D15/138, 139;  
606/79, 80, 81, 84, 85-87, 180; D8/82,  
D8/83

CPC ..... A61B 2017/320004; A61B 2017/320008;  
A61B 17/320016

See application file for complete search history.

(56) **References Cited**

**U.S. PATENT DOCUMENTS**

D318,116 S *	7/1991	Michelson	.....	D24/147
D318,117 S *	7/1991	Michelson	.....	D24/147
D318,118 S *	7/1991	Michelson	.....	D24/147
D336,957 S *	6/1993	Koros et al.	.....	D24/147
D381,426 S *	7/1997	Koros et al.	.....	D24/147
D474,271 S *	5/2003	Iori et al.	.....	D24/119
D526,061 S *	8/2006	Nam	.....	D24/146
D583,472 S *	12/2008	Koh	.....	D24/143
D585,989 S *	2/2009	Leroy	.....	D24/146
D593,141 S *	5/2009	Gaudron	.....	D15/139
D604,751 S *	11/2009	Dost et al.	.....	D15/139

D608,802 S *	1/2010	Ibarra et al.	.....	D15/139
D611,511 S *	3/2010	Anitua Aldecoa	.....	D15/139
D615,196 S *	5/2010	Doll	.....	D24/133
D627,460 S *	11/2010	Horton	.....	D24/133
D629,896 S *	12/2010	Horton	.....	D24/133
D662,206 S *	6/2012	Way et al.	.....	D24/152
D687,871 S *	8/2013	Liao et al.	.....	D15/139
D718,441 S *	11/2014	Carus et al.	.....	D24/133

**OTHER PUBLICATIONS**

Myoma Screw by Richard Wolf, pub. date—Nov. 2005.  
Myoma Screw by Blumentritt-Medizintechnik (undated).  
Myoma Screw by Handke Medizintechnik GmbH, pub. date—Nov. 2005.  
Myoma Screw by B. Braun, pub. date—2013.

\* cited by examiner

*Primary Examiner* — Ian Simmons

*Assistant Examiner* — Carissa C Fitts

(74) *Attorney, Agent, or Firm* — Whitmyer IP Group LLC

(57) **CLAIM**

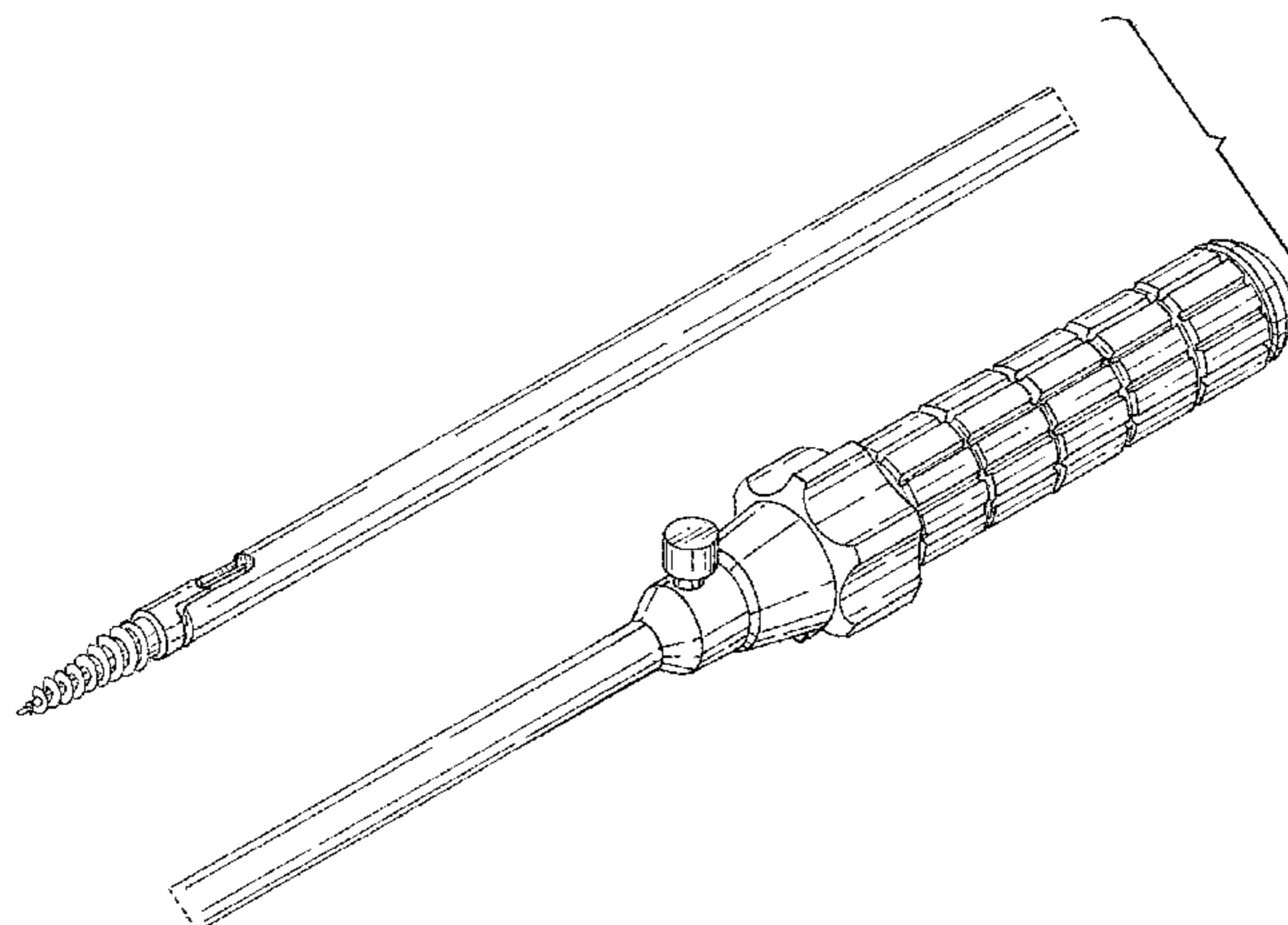
The ornamental design for a fixation instrument, as shown and described.

**DESCRIPTION**

FIG. 1 is a front left side isometric view of a fixation instrument in accordance with the new design;  
FIG. 2 is a right side elevational view thereof;  
FIG. 3 is a left side elevational view thereof;  
FIG. 4 is a top plan view thereof;  
FIG. 5 is a bottom plan view thereof;  
FIG. 6 is a front elevational view thereof; and,  
FIG. 7 is a rear elevational view thereof.

The dashed break lines have been applied to the drawing views to indicate that no particular length, with the understanding that the undisclosed portions of the fixation instrument not shown in the drawings forms no part of the claim design. Patentability is based only on those portions of the article that are shown in solid lines.

**1 Claim, 6 Drawing Sheets**



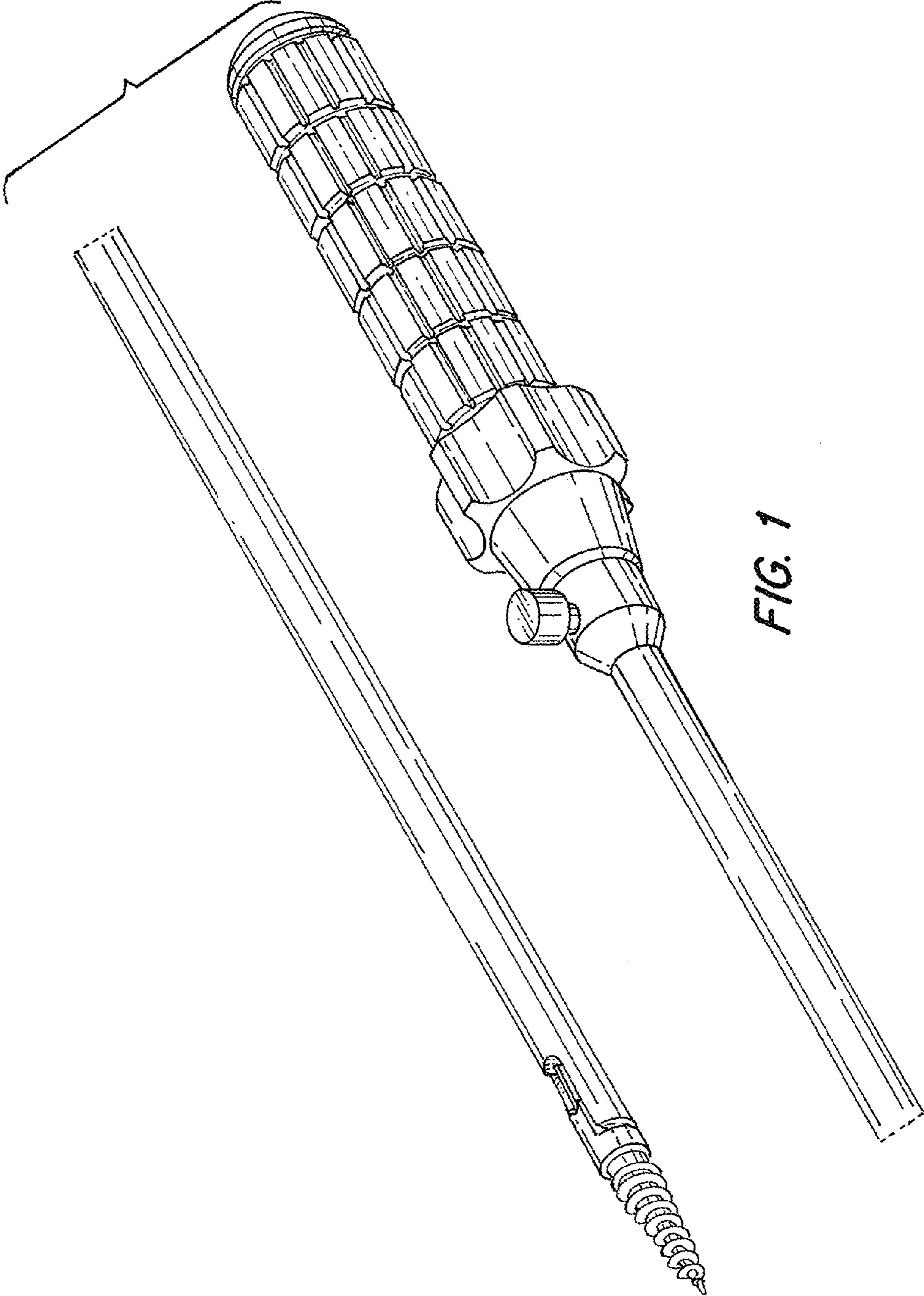


FIG. 1

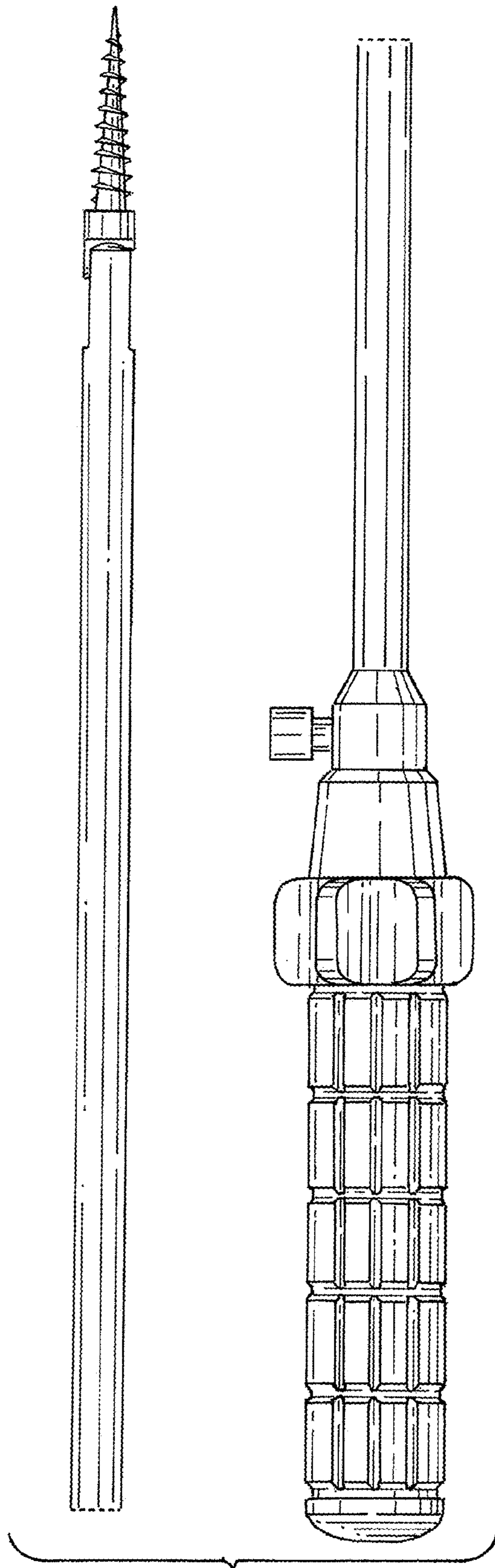


FIG. 2

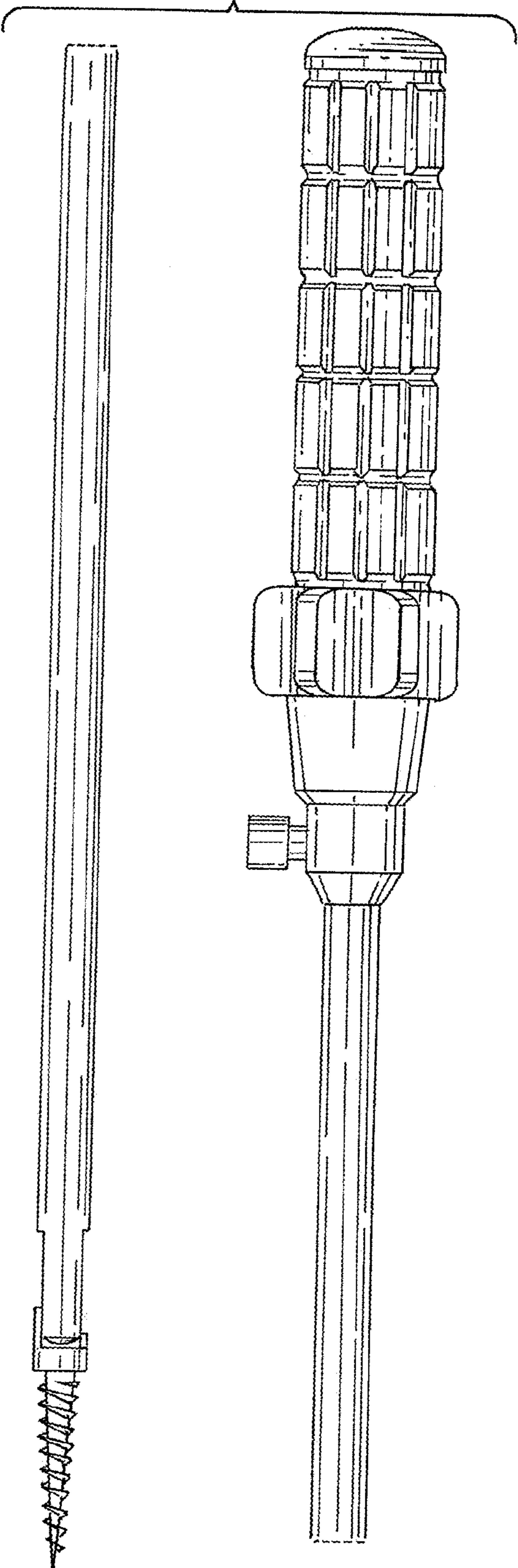


FIG. 3

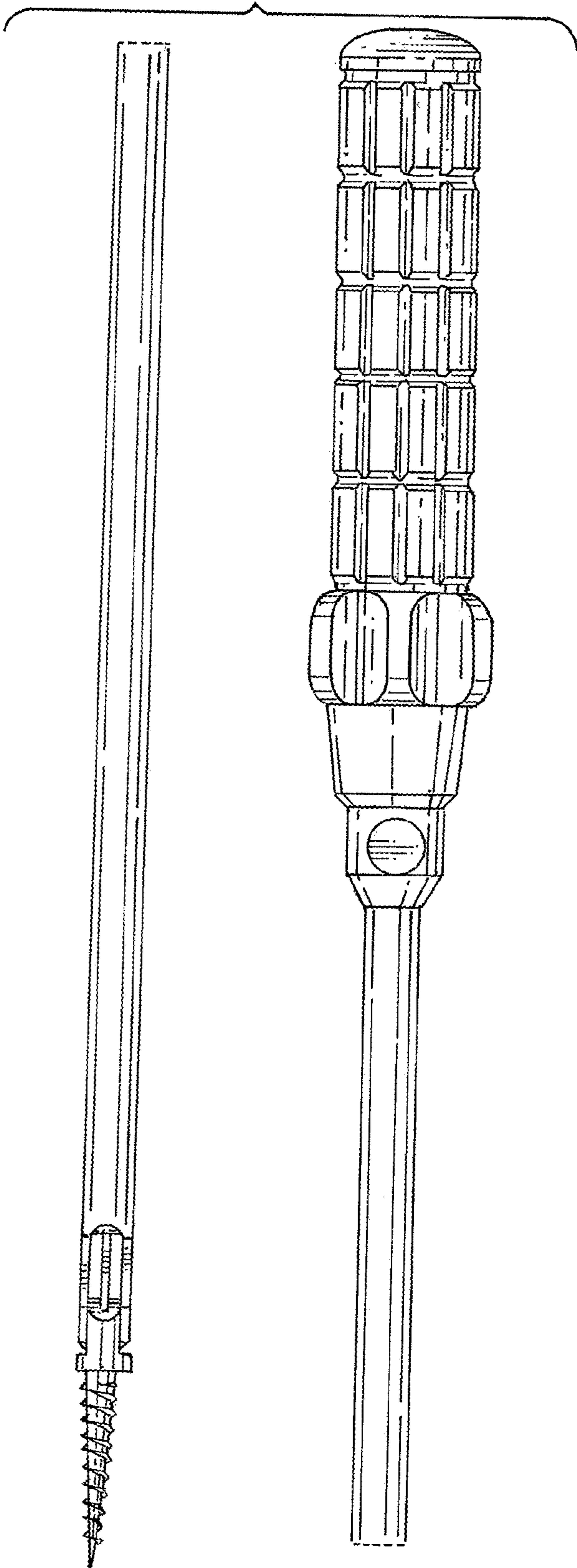


FIG. 4

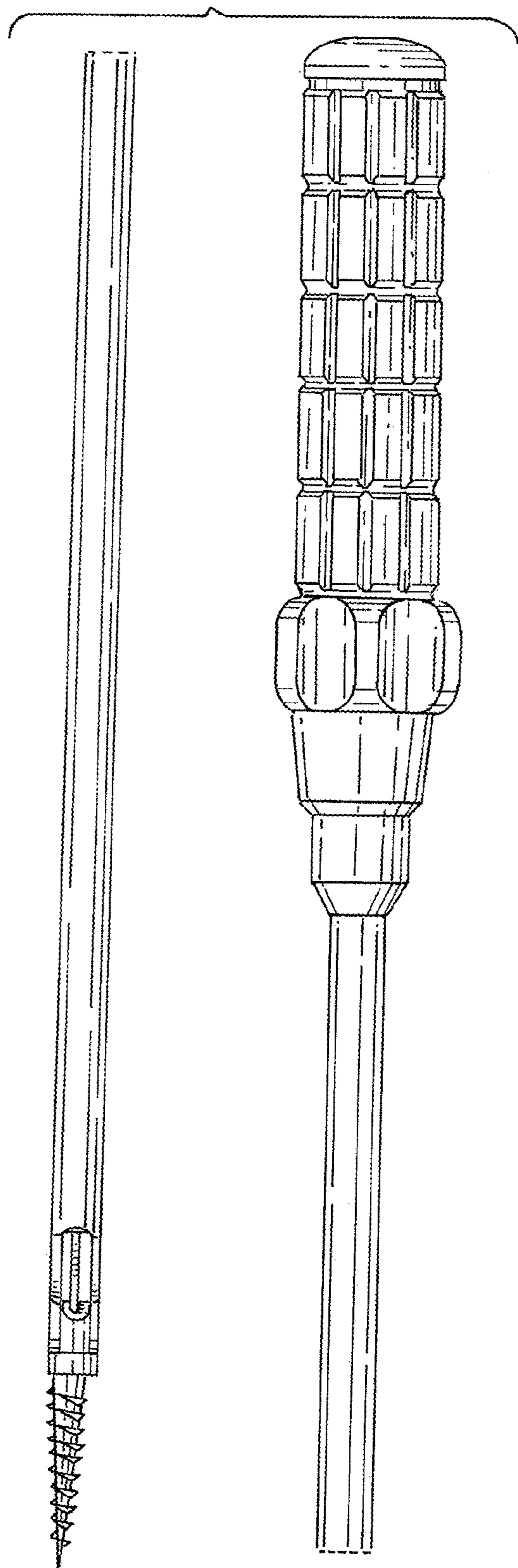
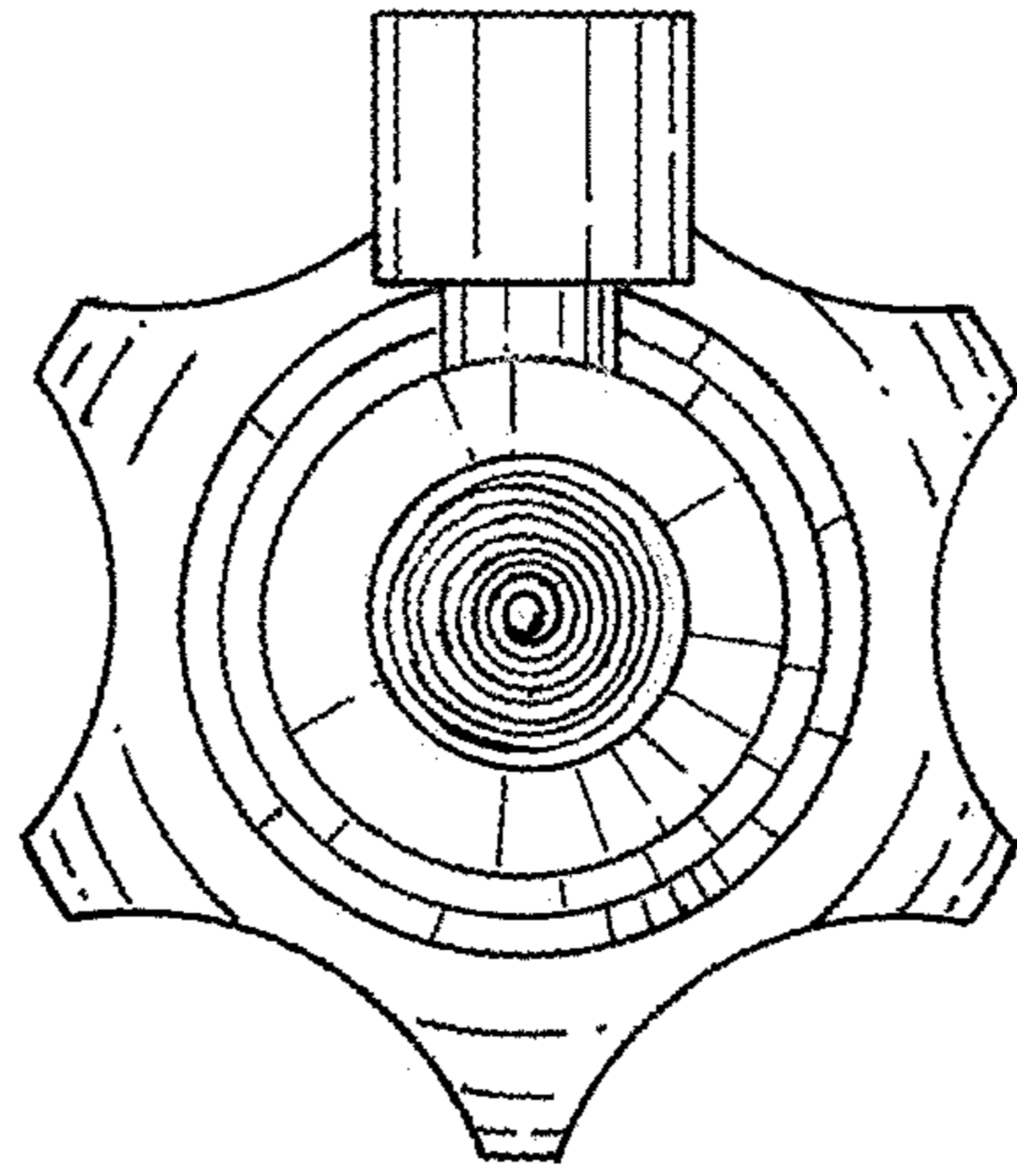
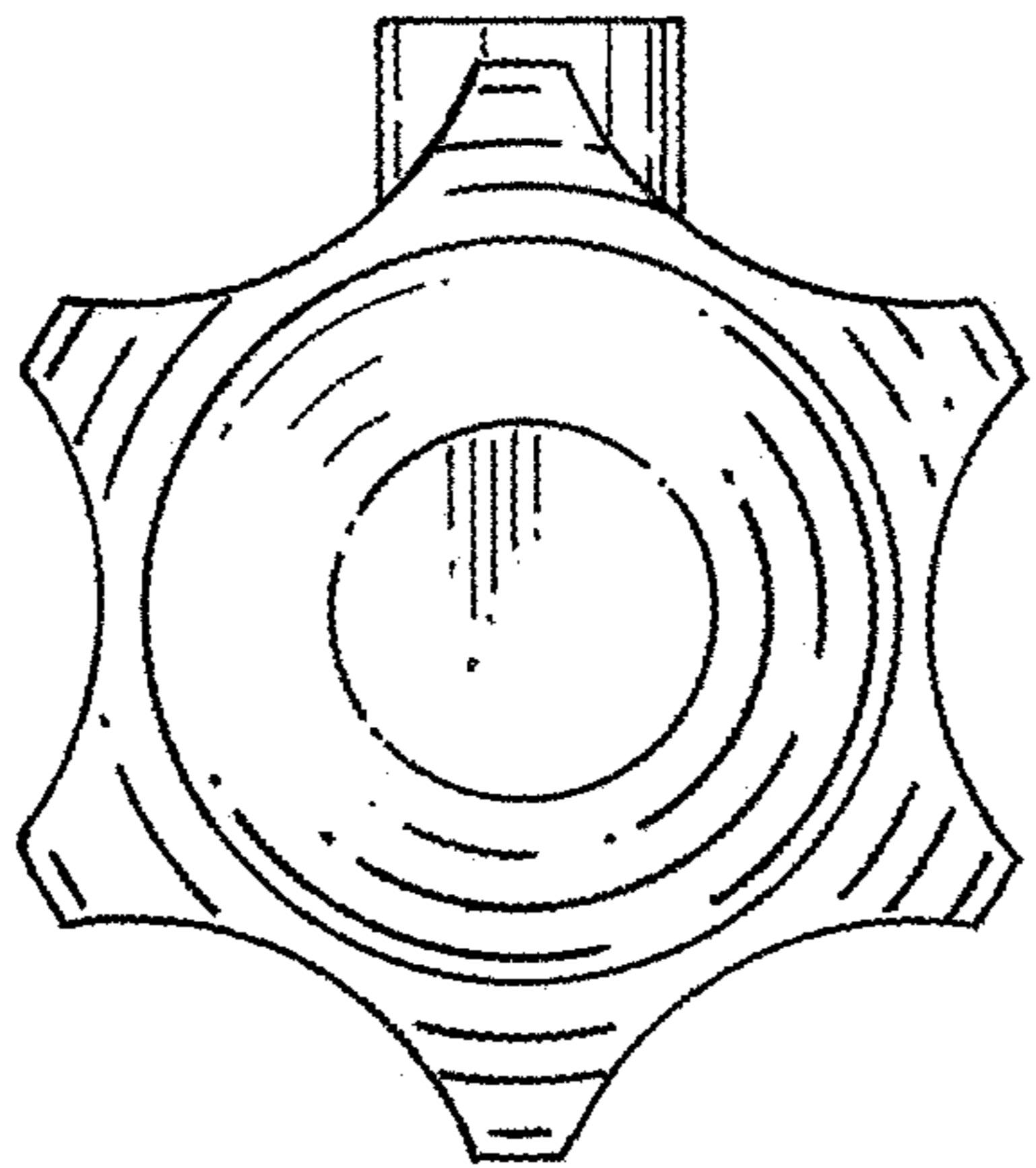


FIG. 5



*FIG. 6*



*FIG. 7*