



US00D737442S

(12) **United States Design Patent**
Hasebe

(10) **Patent No.:** **US D737,442 S**

(45) **Date of Patent:** **** Aug. 25, 2015**

(54) **TROCAR**

(71) Applicant: **KAI R&D CENTER CO., LTD.**,
Gifu-ken (JP)

(72) Inventor: **Kazuyuki Hasebe**, Seki (JP)

(73) Assignee: **KAI R&D CENTER CO., LTD.**,
Gifu-ken (JP)

(**) Term: **14 Years**

(21) Appl. No.: **29/492,393**

(22) Filed: **May 30, 2014**

(30) **Foreign Application Priority Data**

Dec. 12, 2013 (JP) 2013-029175

(51) **LOC (10) Cl.** **24-02**

(52) **U.S. Cl.**
USPC **D24/146**

(58) **Field of Classification Search**
USPC D7/649; D8/93, 97, 300, 310, 311, 313;
D19/110, 115; D24/127, 130, 133,
D24/146, 147, 148

CPC B26B 3/00; B26B 1/10; B26B 5/005;
A61B 17/809; A61B 17/1617; A61B 17/3211;
A61B 5/1411; A61B 17/3417

See application file for complete search history.

(56) **References Cited**

U.S. PATENT DOCUMENTS

1,083,567 A * 1/1914 Sweet 606/181
D310,122 S 8/1990 Masters
D328,347 S * 7/1992 Santora D24/133
D332,492 S * 1/1993 Rosenberg et al. D24/146
D362,066 S * 9/1995 Petruschke et al. D24/146
D438,979 S * 3/2001 Gomes et al. D24/216
D443,360 S * 6/2001 Haberland D24/146
D483,870 S 12/2003 Scheller et al.
6,884,253 B1 * 4/2005 McFarlane 606/185

D535,747 S * 1/2007 Isogimi D24/146
D546,948 S * 7/2007 Huttner D24/147
D669,988 S * 10/2012 Packard et al. D24/147
D679,397 S * 4/2013 Packard et al. D24/146
D685,087 S * 6/2013 Voic D24/133
D697,207 S * 1/2014 Paget et al. D24/146
D722,163 S * 2/2015 Hasebe D24/147
2001/0034535 A1 * 10/2001 Schultz 606/190
2005/0154409 A1 * 7/2005 MacKool 606/167

(Continued)

FOREIGN PATENT DOCUMENTS

JP 362234 4/1973
JP 4872081 B2 12/2007

Primary Examiner — Robert M Spear

Assistant Examiner — Marissa J Cash

(74) *Attorney, Agent, or Firm* — Patterson Thunte
Pedersen, P.A.

(57) **CLAIM**

I claim the ornamental design for a trocar, as shown and described.

DESCRIPTION

FIG. 1 is a front, top, and left side isometric view of a trocar according to the invention;

FIG. 2 is a front, bottom, and right side isometric view of the trocar depicted in FIG. 1;

FIG. 3 is a left elevation view of the trocar depicted in FIG. 1, with the right side elevation view being a mirror image of the depicted view;

FIG. 4 is a top plan view of the trocar depicted in FIG. 1;

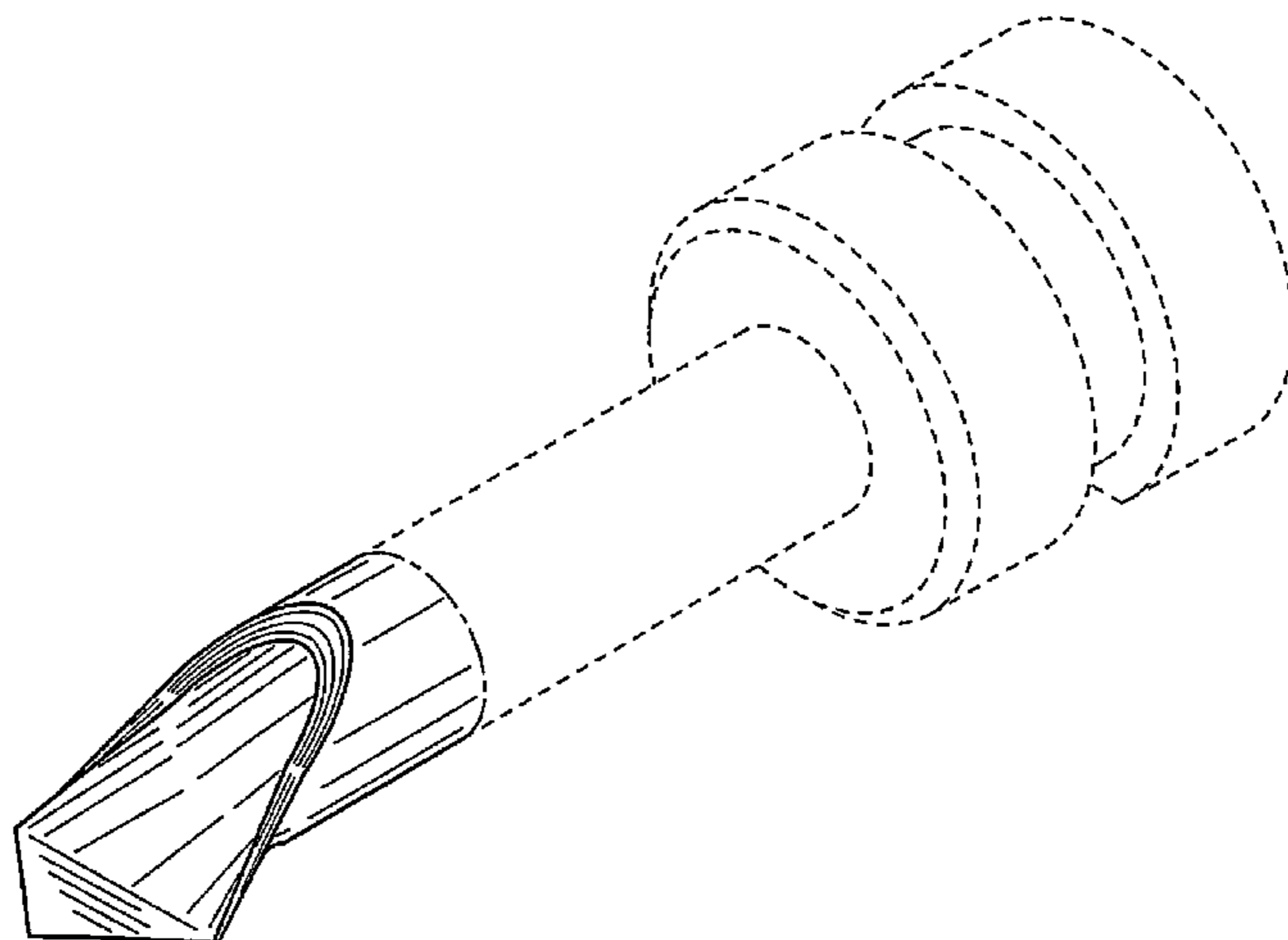
FIG. 5 is a bottom plan view of the trocar depicted in FIG. 1;

FIG. 6 is a rear elevation view of the trocar depicted in FIG. 1; and

FIG. 7 is a front elevation view of the trocar depicted in FIG. 1.

In the drawings, the broken lines depict environmental subject matter only and form no part of the claimed design.

1 Claim, 7 Drawing Sheets



(56)

References Cited

U.S. PATENT DOCUMENTS

2005/0251190	A1 *	11/2005	McFarlane	606/185	
2008/0243162	A1 *	10/2008	Shibata et al.	606/185	
2012/0253376	A1 *	10/2012	Liu et al.	606/185	* cited by examiner
2014/0257296	A1 *	9/2014	Morgenstern Lopez	606/80	
2014/0296901	A1 *	10/2014	Derwin et al.	606/185	
2014/0364889	A1 *	12/2014	Stubber	606/185	

FIG. 1

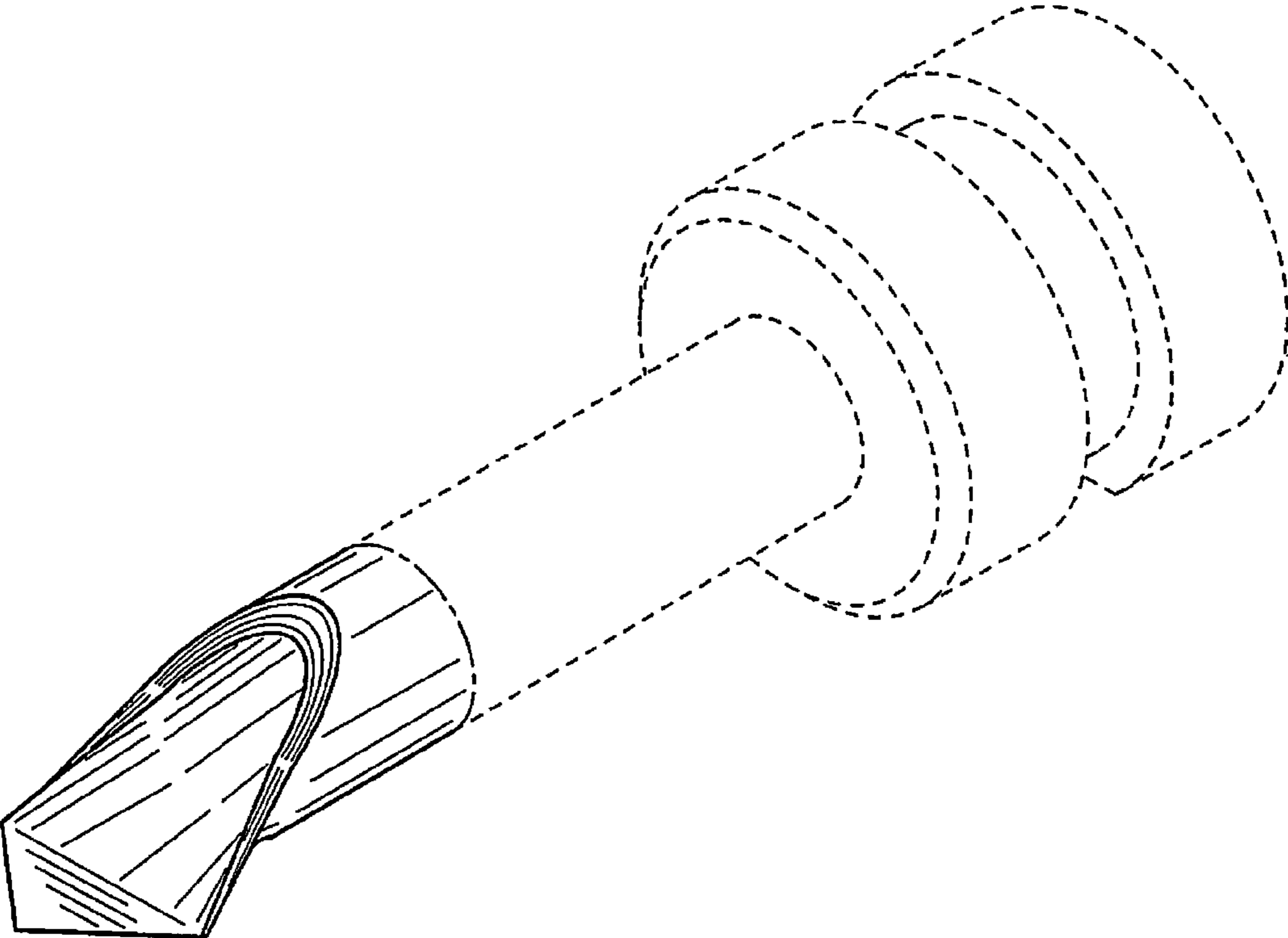


FIG. 2

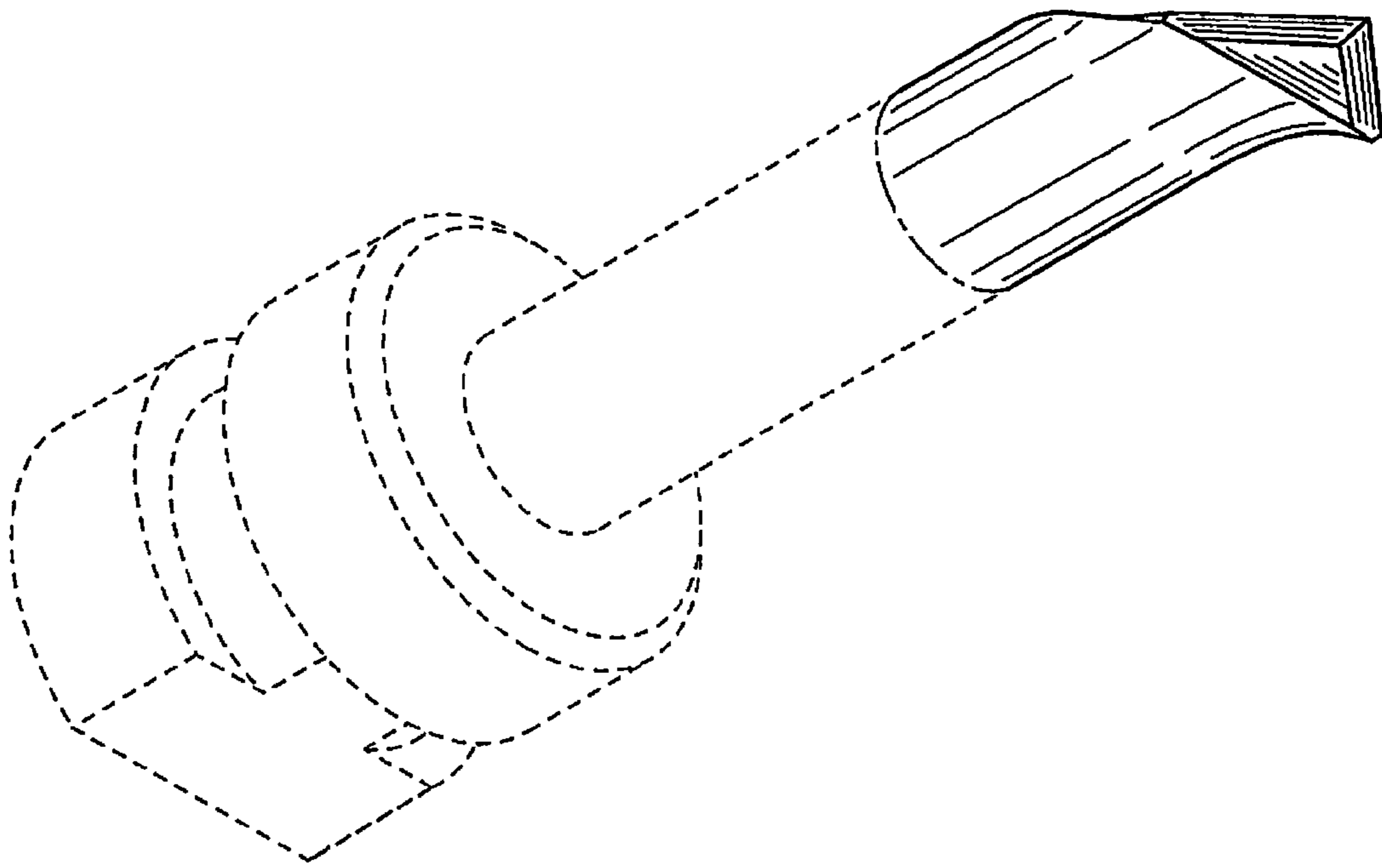


FIG. 3

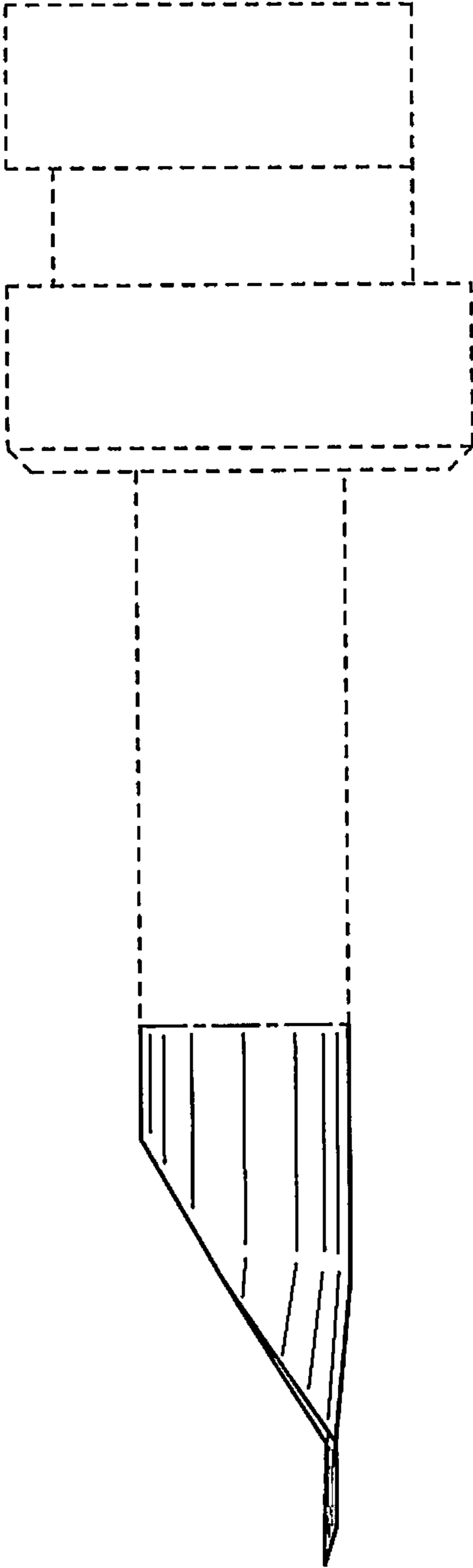


FIG. 4

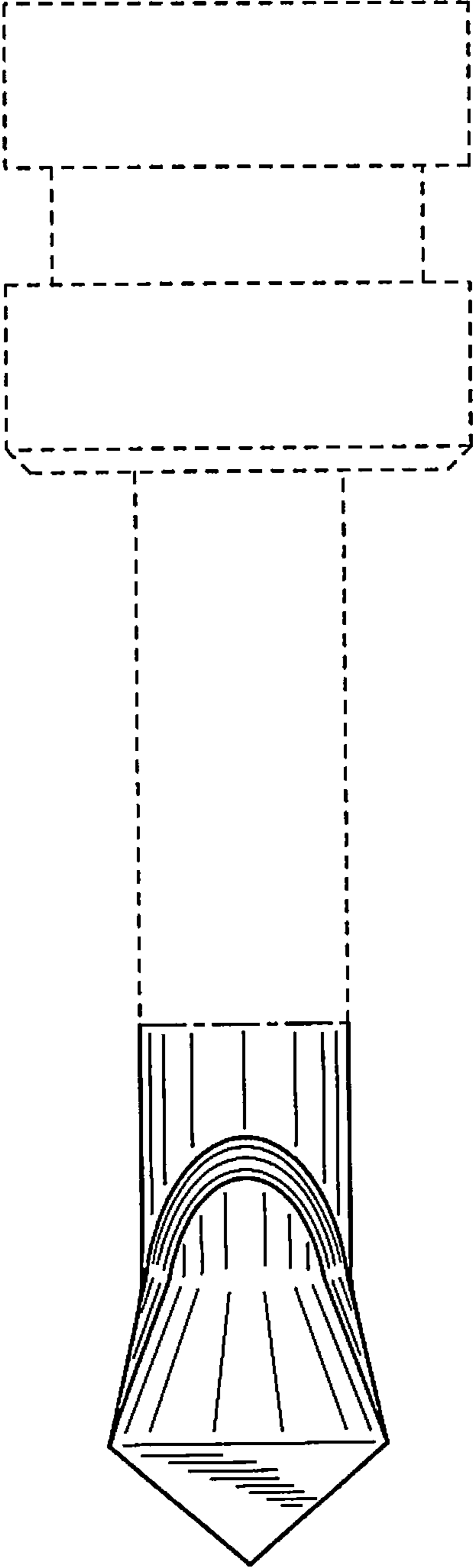


FIG. 5

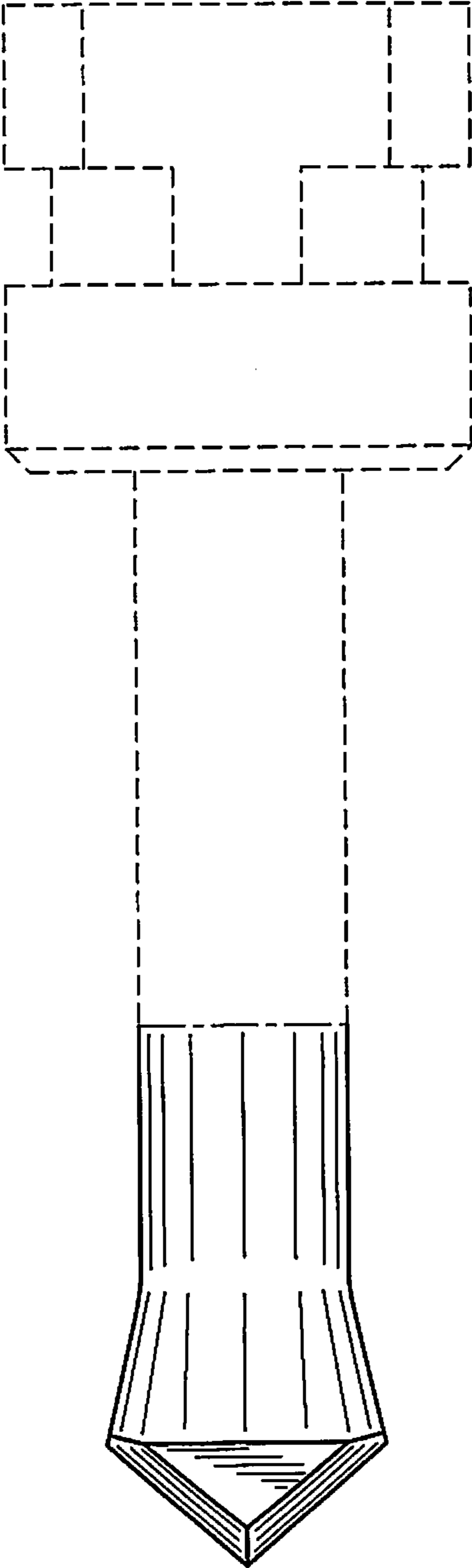


FIG. 6

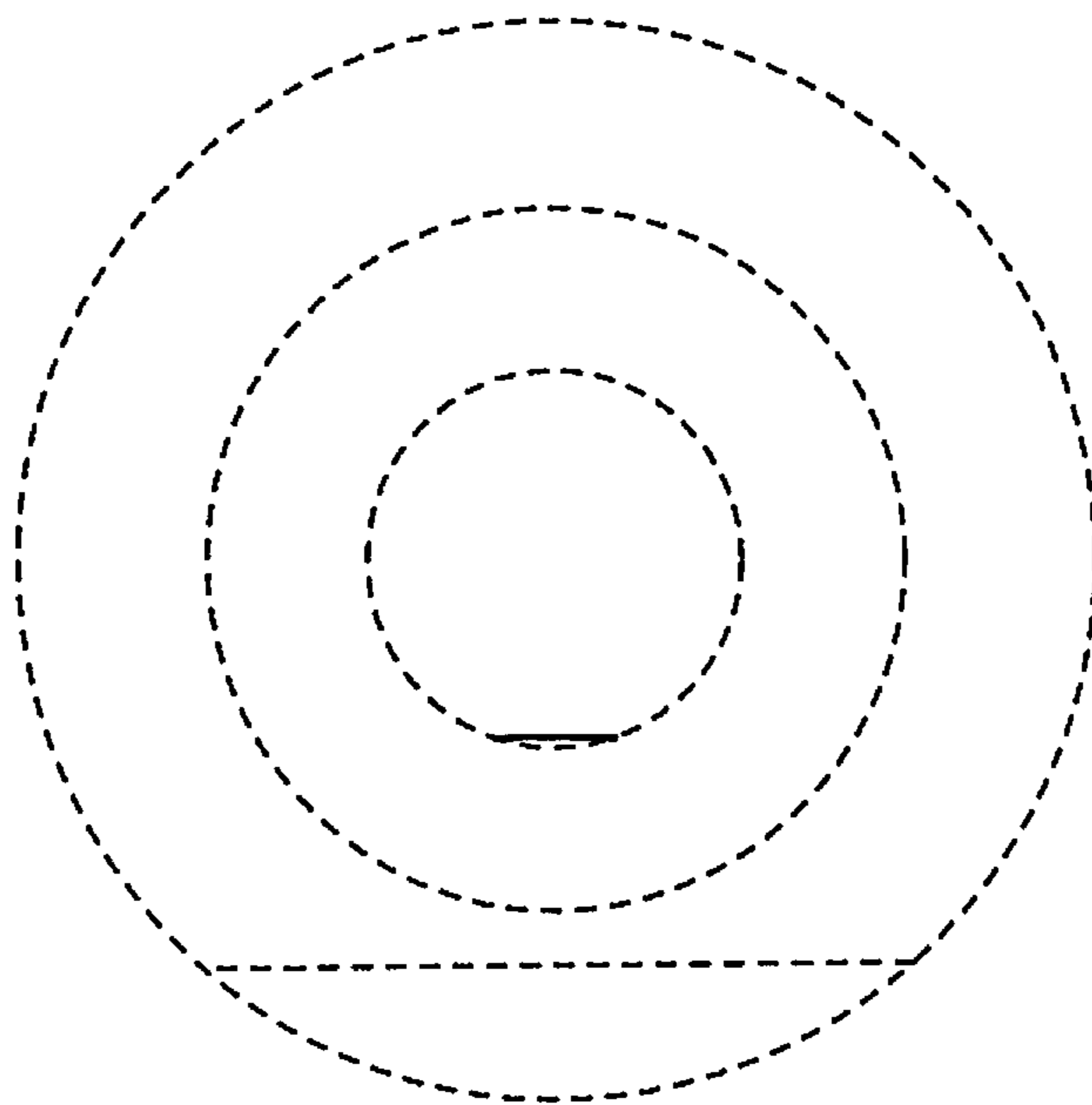


FIG. 7

