



US00D737437S

(12) **United States Design Patent**
McLoughlin

(10) **Patent No.:** **US D737,437 S**

(45) **Date of Patent:** **** Aug. 25, 2015**

(54) **SURGICAL RETRACTOR**

(71) Applicant: **Joseph McLoughlin**, Pompano Beach,
FL (US)

(72) Inventor: **Joseph McLoughlin**, Pompano Beach,
FL (US)

(**) Term: **14 Years**

(21) Appl. No.: **29/462,495**

(22) Filed: **Aug. 5, 2013**

(51) **LOC (10) Cl.** **24-02**

(52) **U.S. Cl.**
USPC **D24/135**

(58) **Field of Classification Search**
USPC D24/135, 133, 140; 600/201, 206, 208,
600/215, 218, 224, 228, 229, 231, 233
CPC A61B 17/0206; A61B 17/02; A61B
17/0293; A61B 2017/2212

See application file for complete search history.

(56) **References Cited**

U.S. PATENT DOCUMENTS

2,053,868	A	9/1936	Grosso	
2,473,266	A	6/1949	Wexler	
2,594,086	A	4/1952	Smith	
3,038,468	A *	6/1962	Raeuchle	600/233
D214,475	S *	6/1969	Forster	D24/135
3,998,217	A	12/1976	Trumbull et al.	
5,052,374	A	10/1991	Alvarez-Jacinto	
D459,804	S *	7/2002	Koros et al.	D24/135
6,616,605	B2	9/2003	Wright et al.	
6,659,945	B2	12/2003	Ball et al.	
D504,721	S	5/2005	Dorfman	
6,932,765	B2	8/2005	Berg	
6,958,038	B2	10/2005	Feng et al.	
7,137,949	B2	11/2006	Scirica et al.	
D533,664	S *	12/2006	Buttler et al.	D24/140
D573,711	S *	7/2008	Johnson et al.	D24/133
D581,531	S *	11/2008	Alinsod et al.	D24/135
8,192,463	B2	6/2012	McLoughlin	
2001/0007052	A1	7/2001	Person	
2004/0059194	A1 *	3/2004	Berg et al.	600/227

2005/0215865	A1 *	9/2005	LeVahn et al.	600/231
2007/0156023	A1	7/2007	Frasier et al.	
2007/0208228	A1 *	9/2007	Pavento et al.	600/233
2007/0213597	A1 *	9/2007	Wooster	600/234
2007/0282171	A1 *	12/2007	Karpowicz et al.	600/224
2008/0294011	A1 *	11/2008	McLoughlin	600/210
2010/0178100	A1 *	7/2010	Fricke et al.	403/90
2012/0232353	A1	9/2012	McLoughlin	

OTHER PUBLICATIONS

Design U.S. Appl. No. 29/279,970, filed May 11, 2007.

* cited by examiner

Primary Examiner — Bridget L Eland

(74) *Attorney, Agent, or Firm* — Allen, Dyer, Doppelt,
Milbrath & Gilchrist, P.A.

(57) **CLAIM**

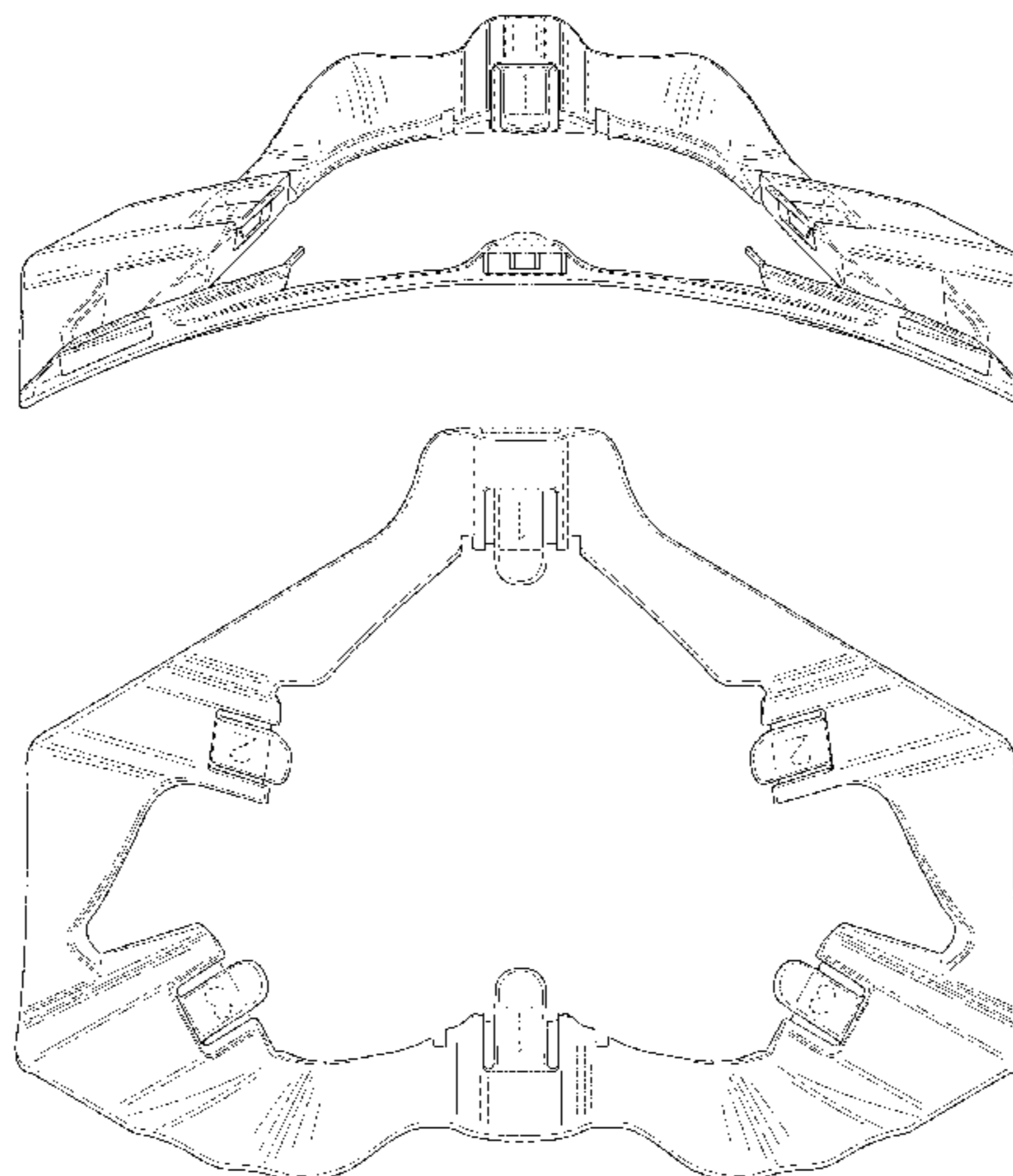
The ornamental design for a surgical retractor, as shown and described.

DESCRIPTION

FIG. 1 is a perspective front view of a surgical retractor showing my new design;
 FIG. 2 is a right-side view thereof;
 FIG. 3 is a left-side view thereof;
 FIG. 4 is a bottom view thereof;
 FIG. 5 is a top view thereof;
 FIG. 6 is a front view thereof;
 FIG. 7 is a back view thereof;
 FIG. 8 is a perspective front view thereof shown in an environment;
 FIG. 9 is a right-side view thereof;
 FIG. 10 is a left-side view thereof;
 FIG. 11 is a bottom view thereof;
 FIG. 12 is a top view thereof;
 FIG. 13 is a front view thereof; and,
 FIG. 14 is a back view thereof.

The broken lines are directed to environment and form no part of the claimed design.

1 Claim, 14 Drawing Sheets



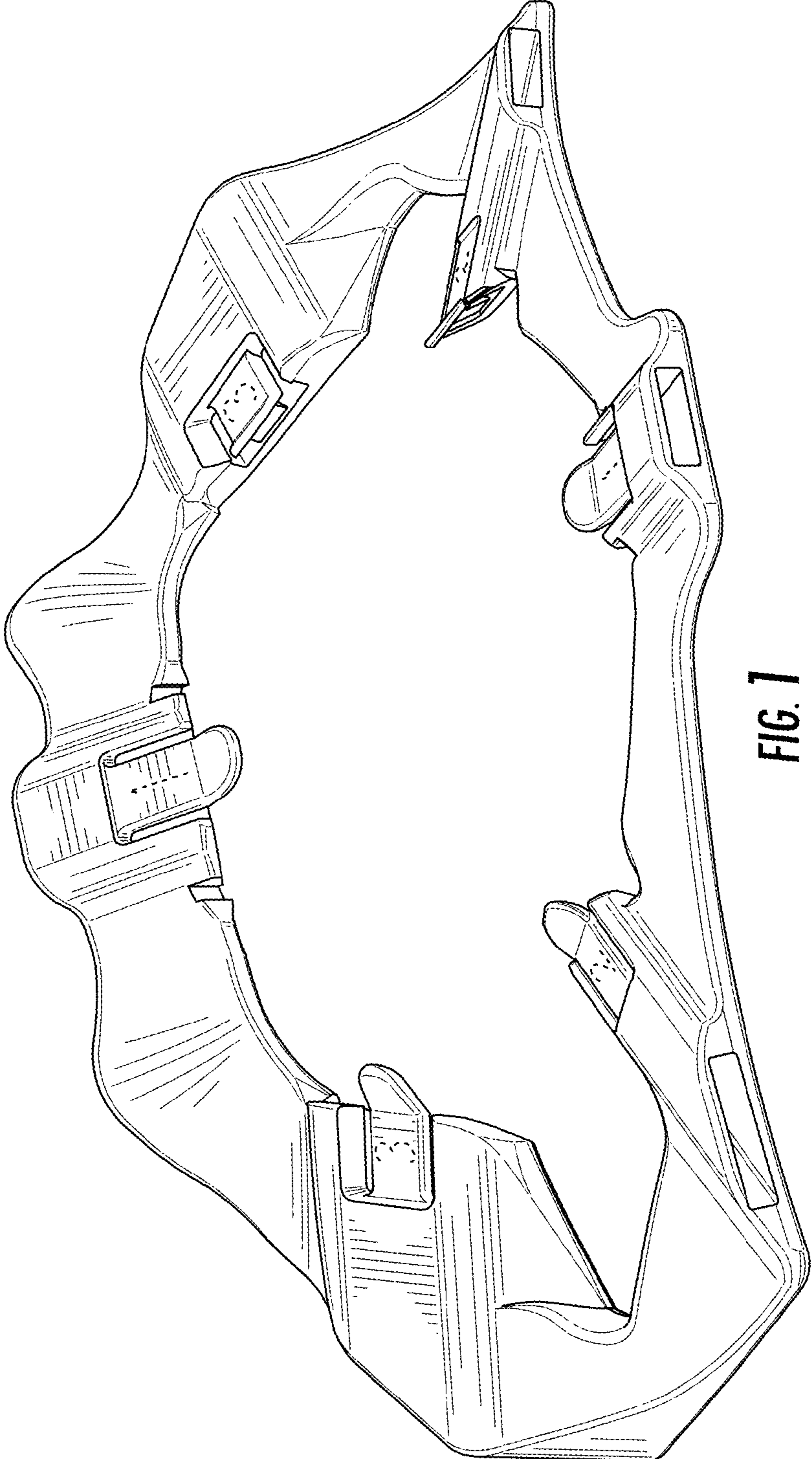


FIG. 1

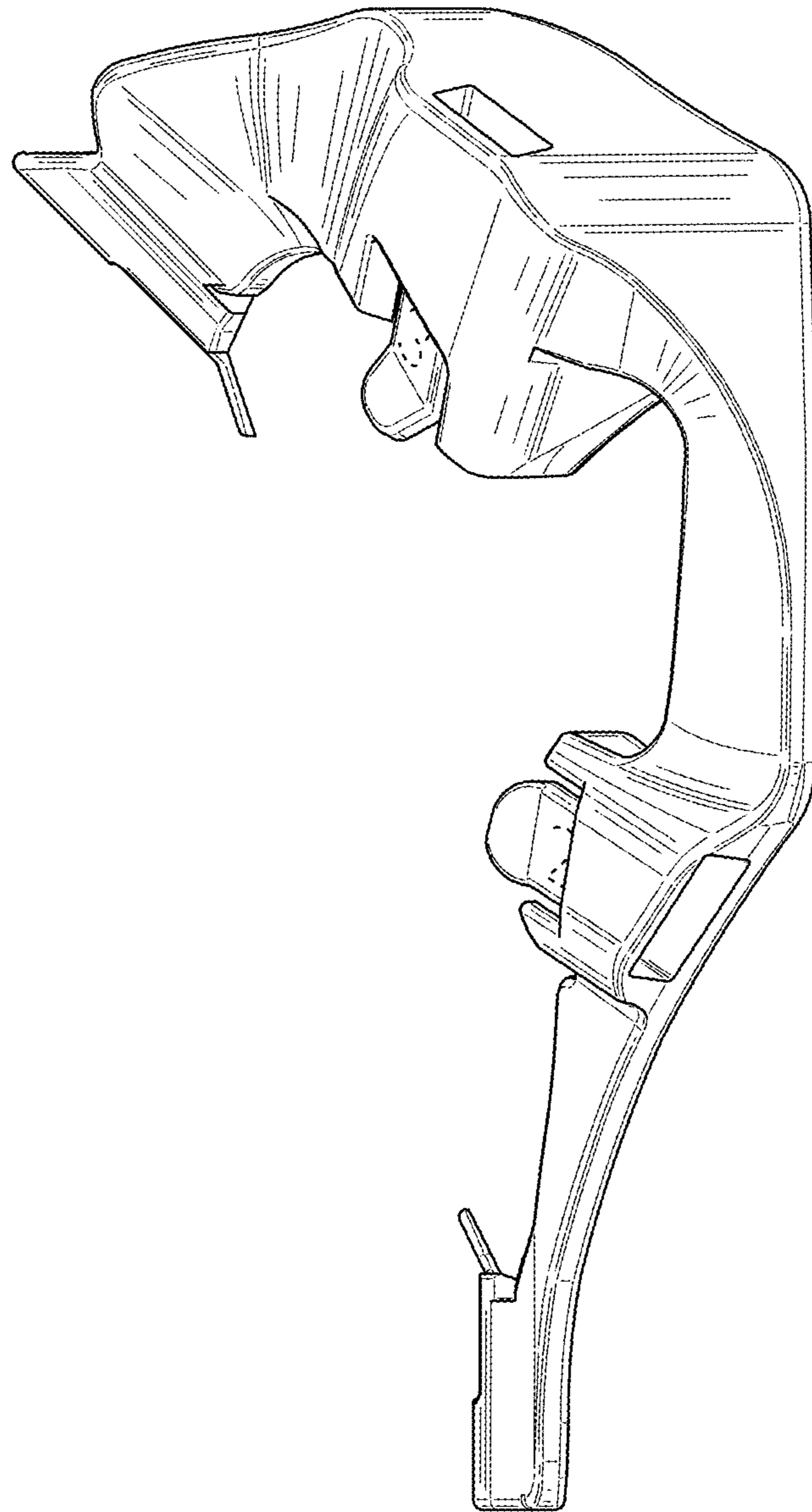


FIG. 2

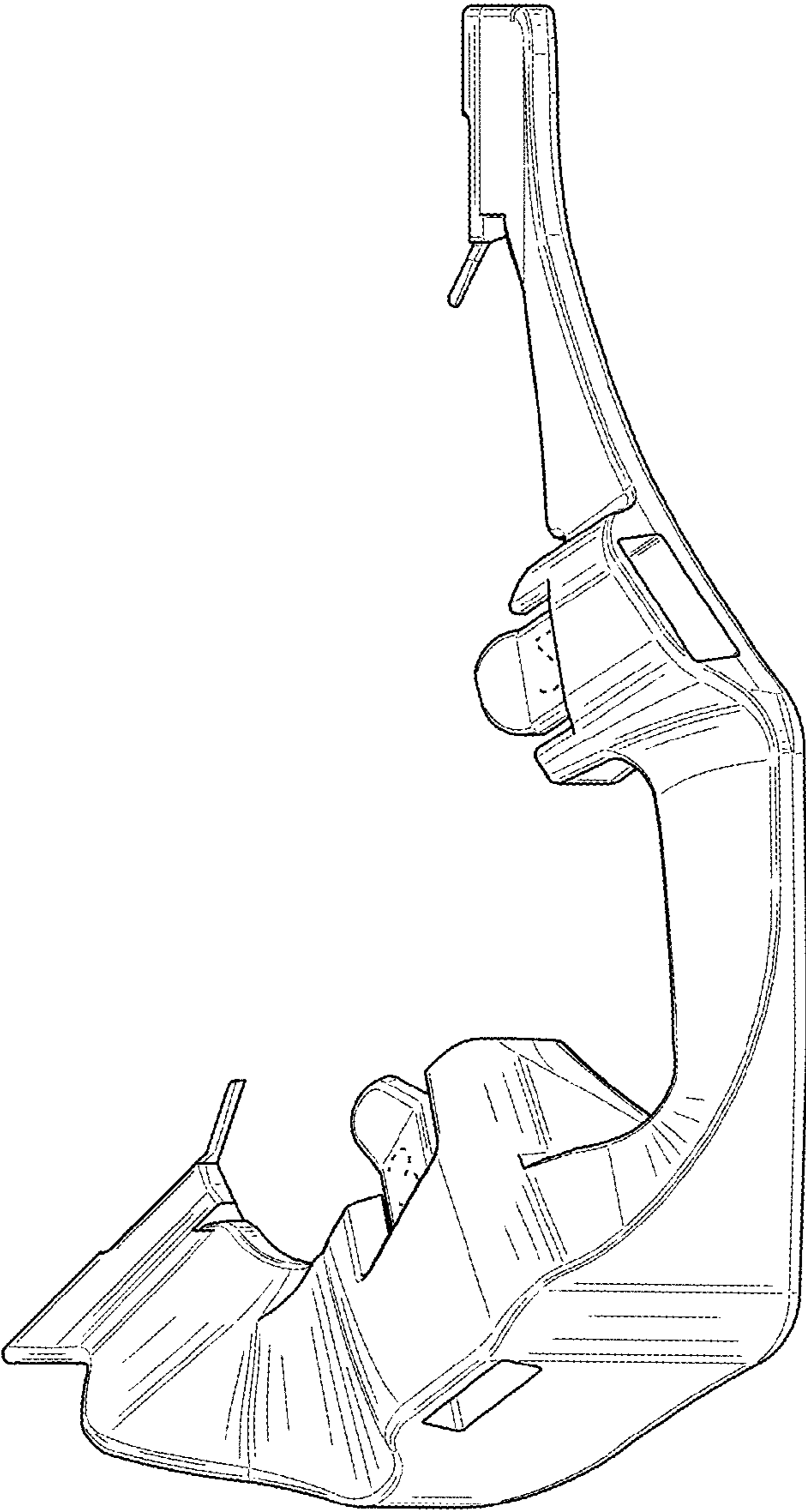


FIG. 3

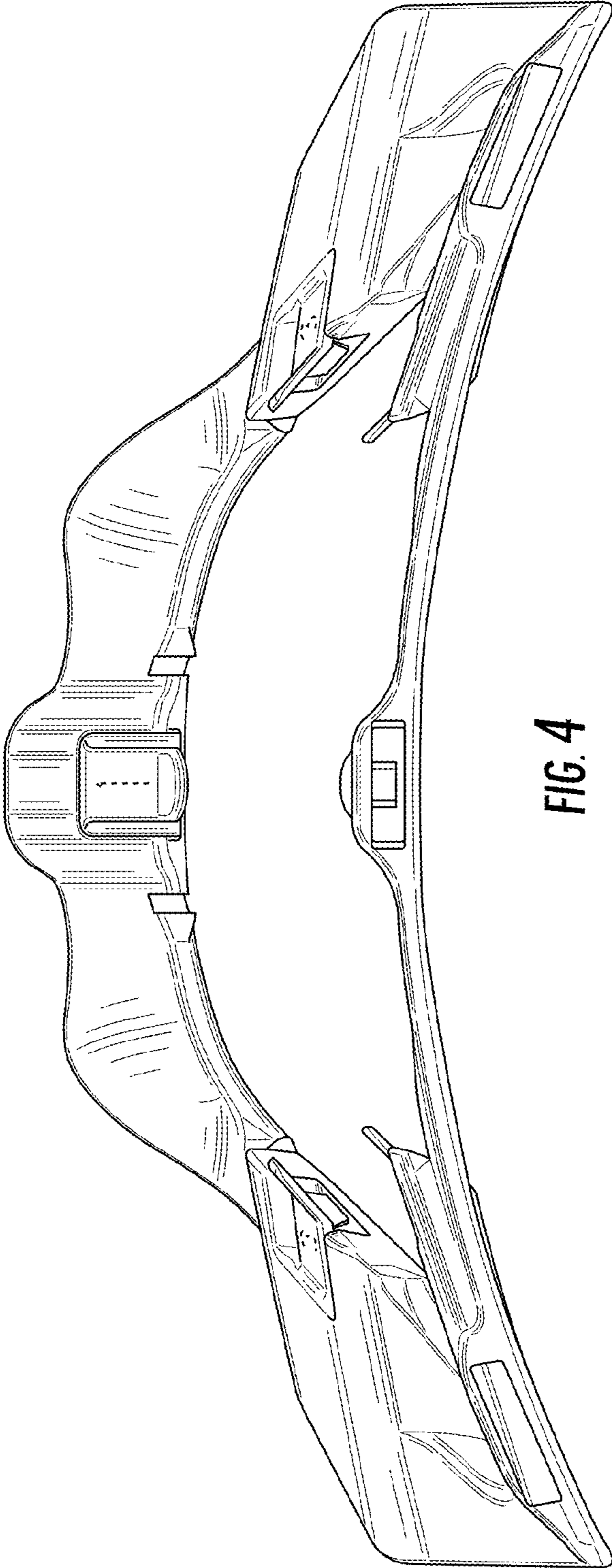


FIG. 4

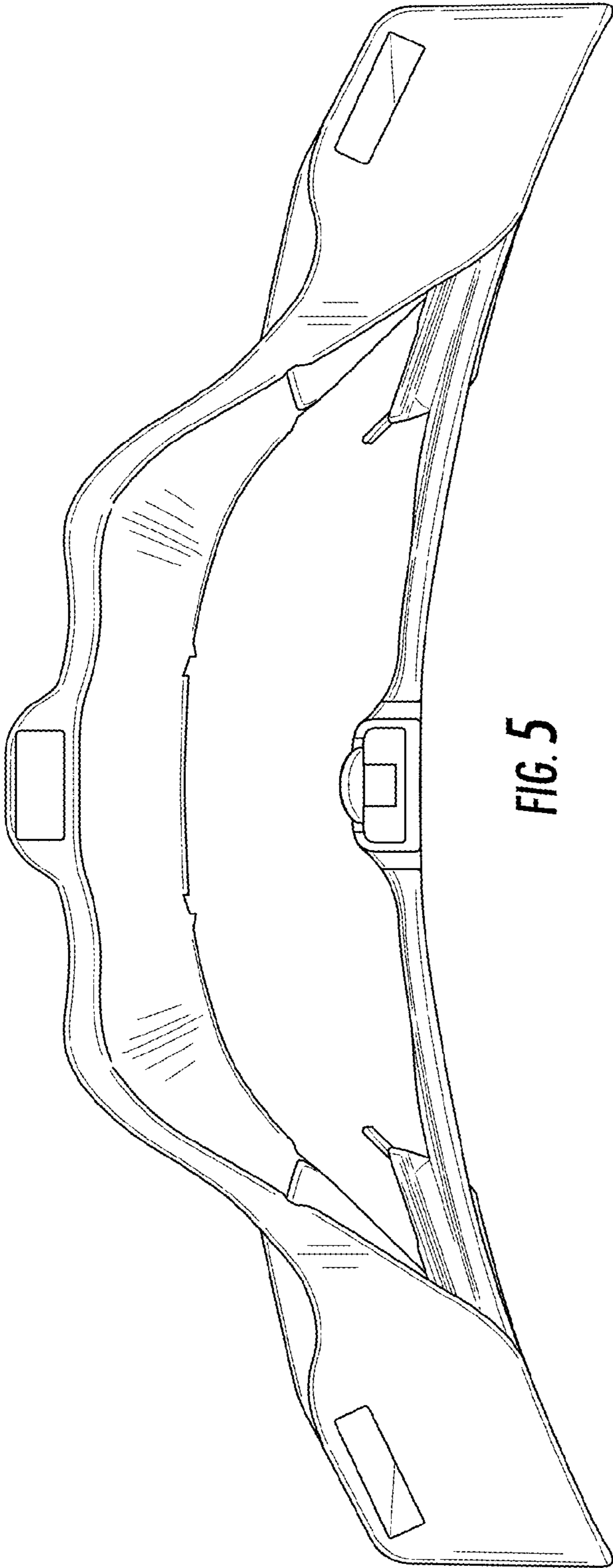


FIG. 5

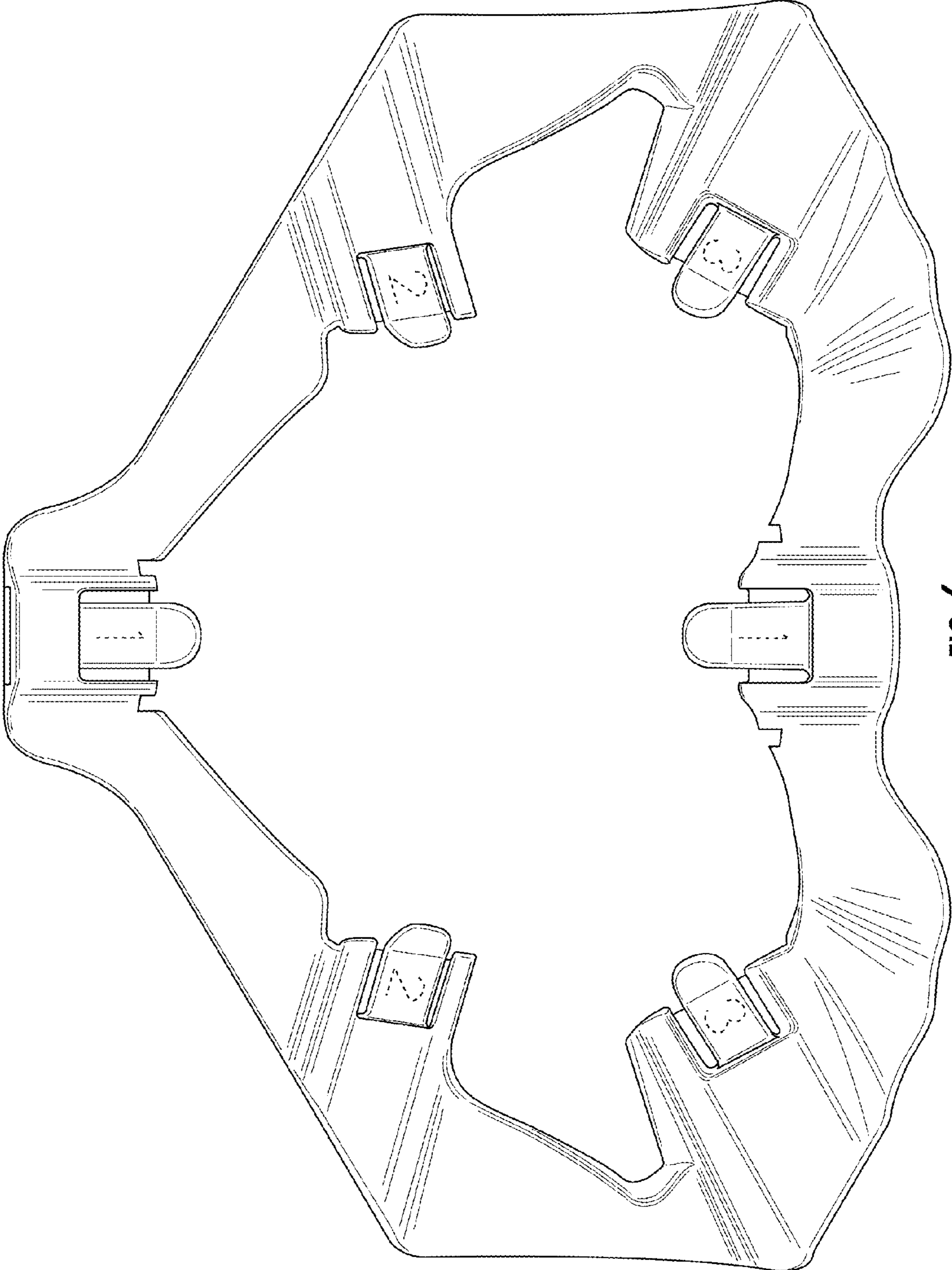


FIG. 6

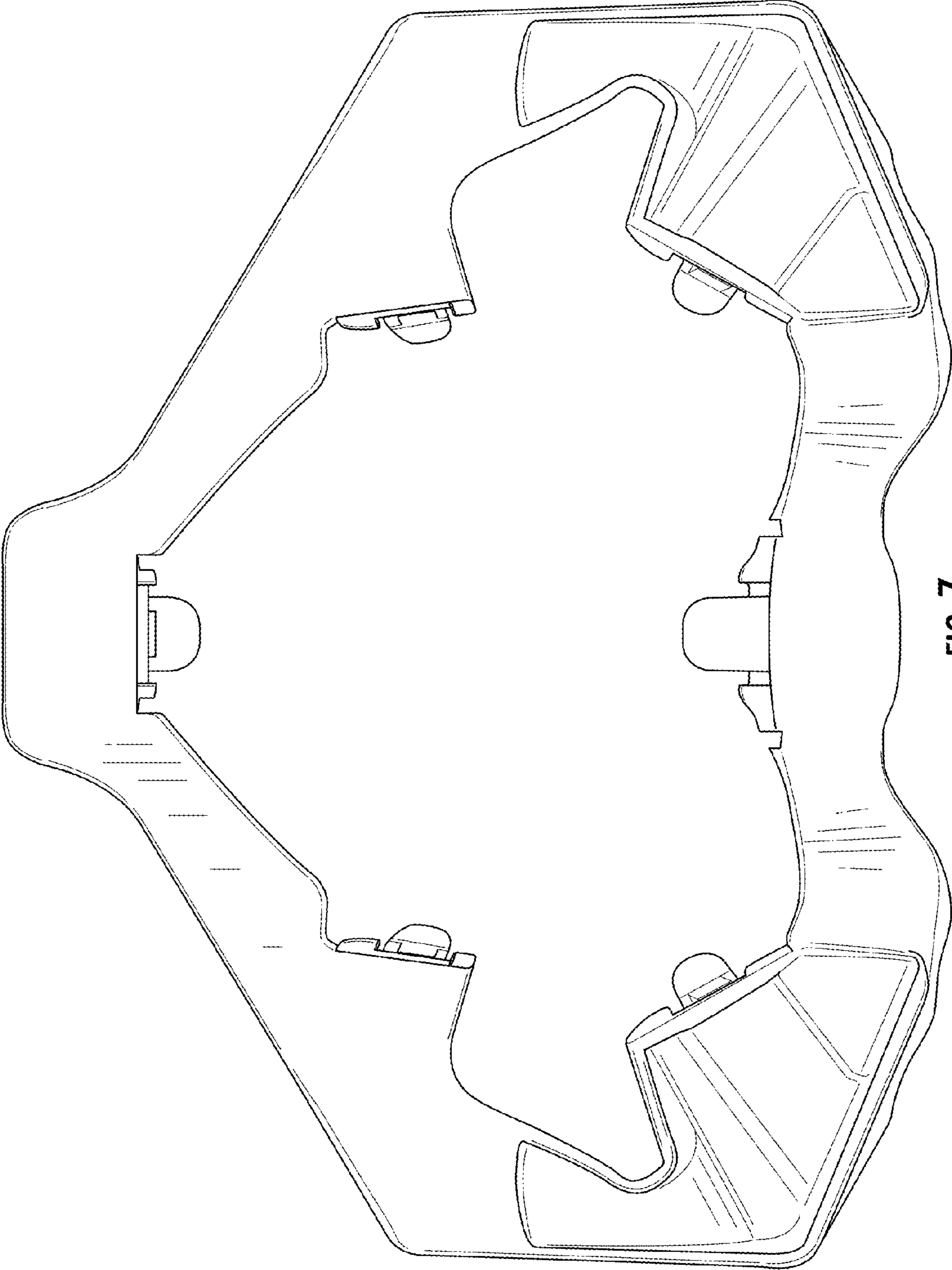


FIG. 7

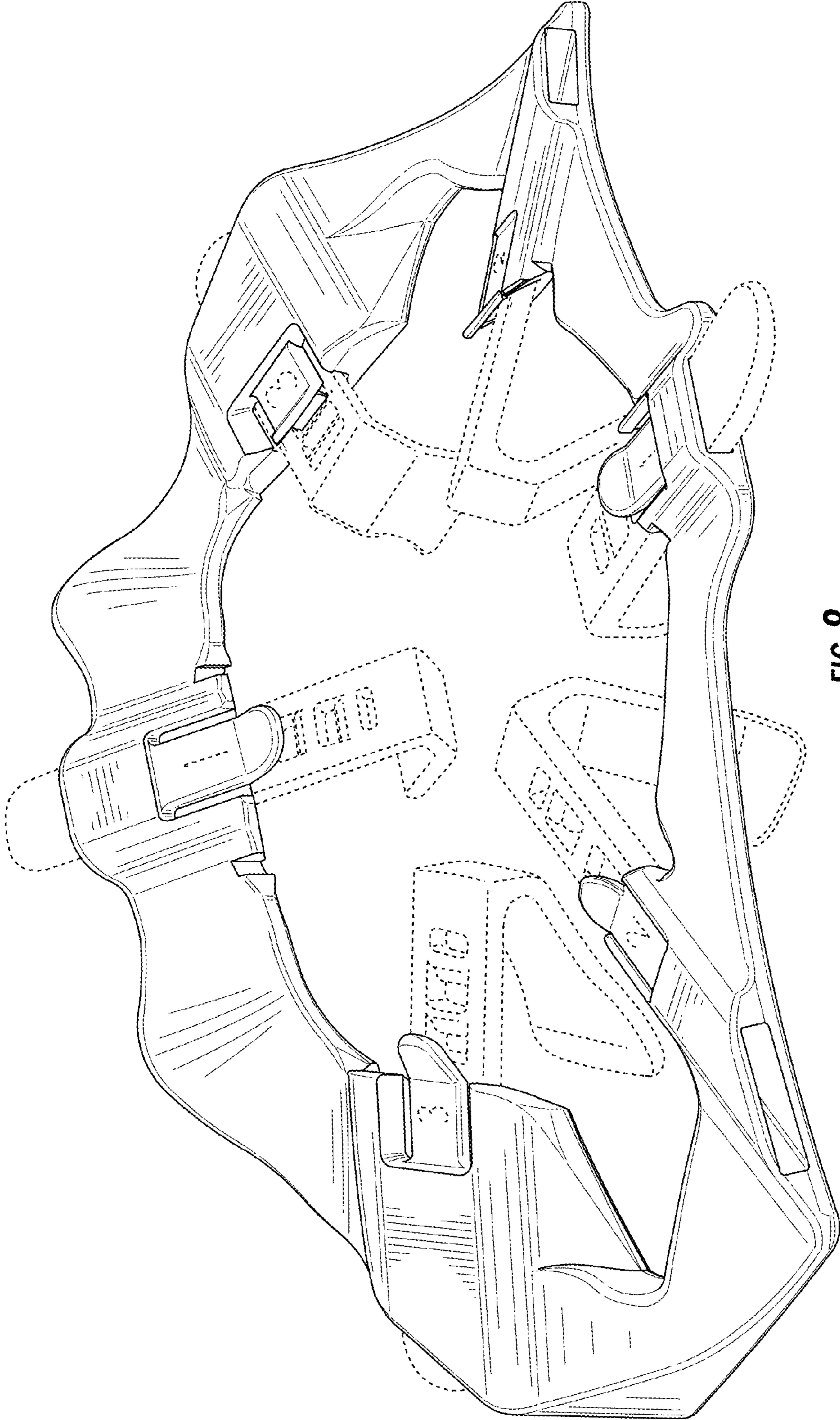


FIG. 8

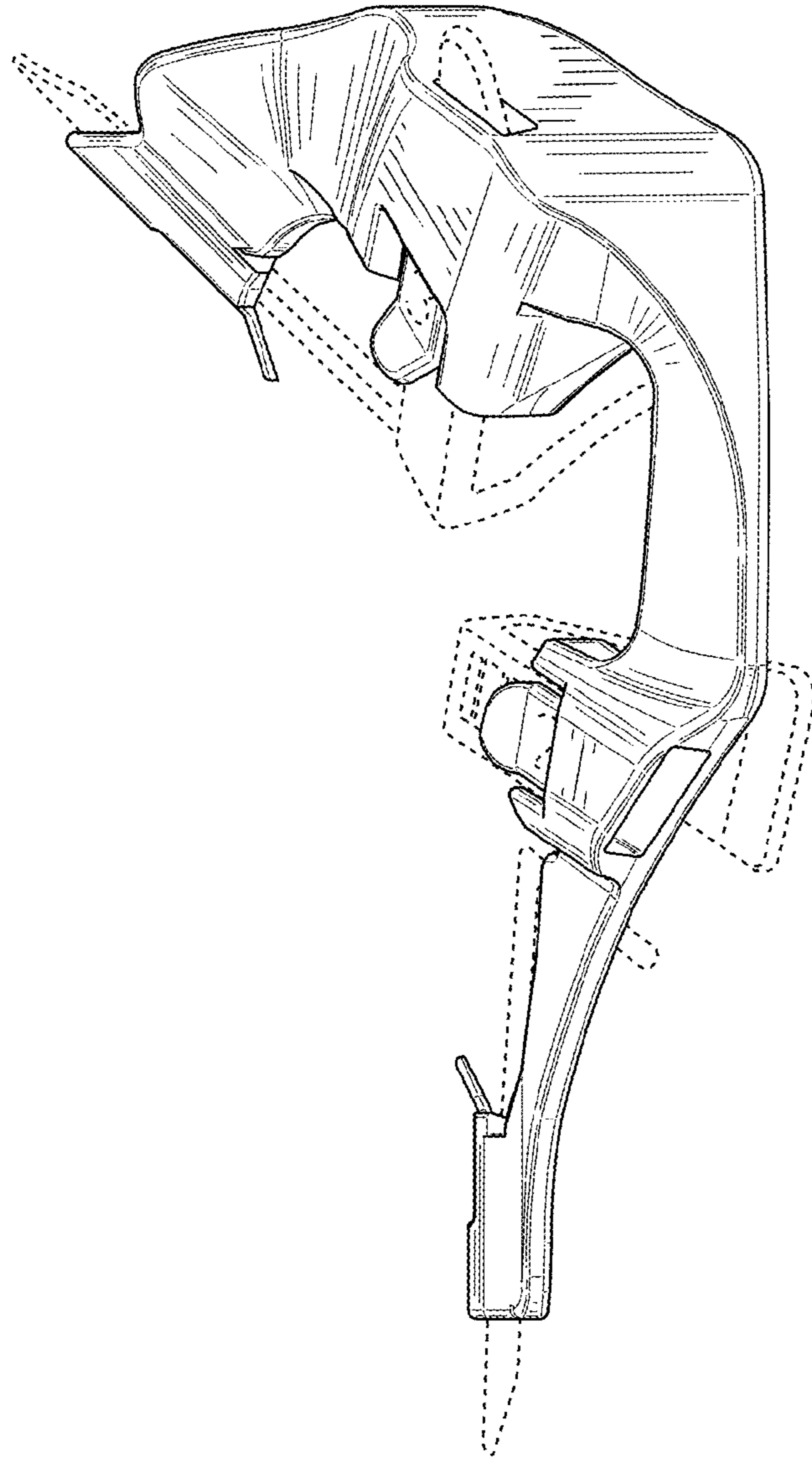


FIG. 9

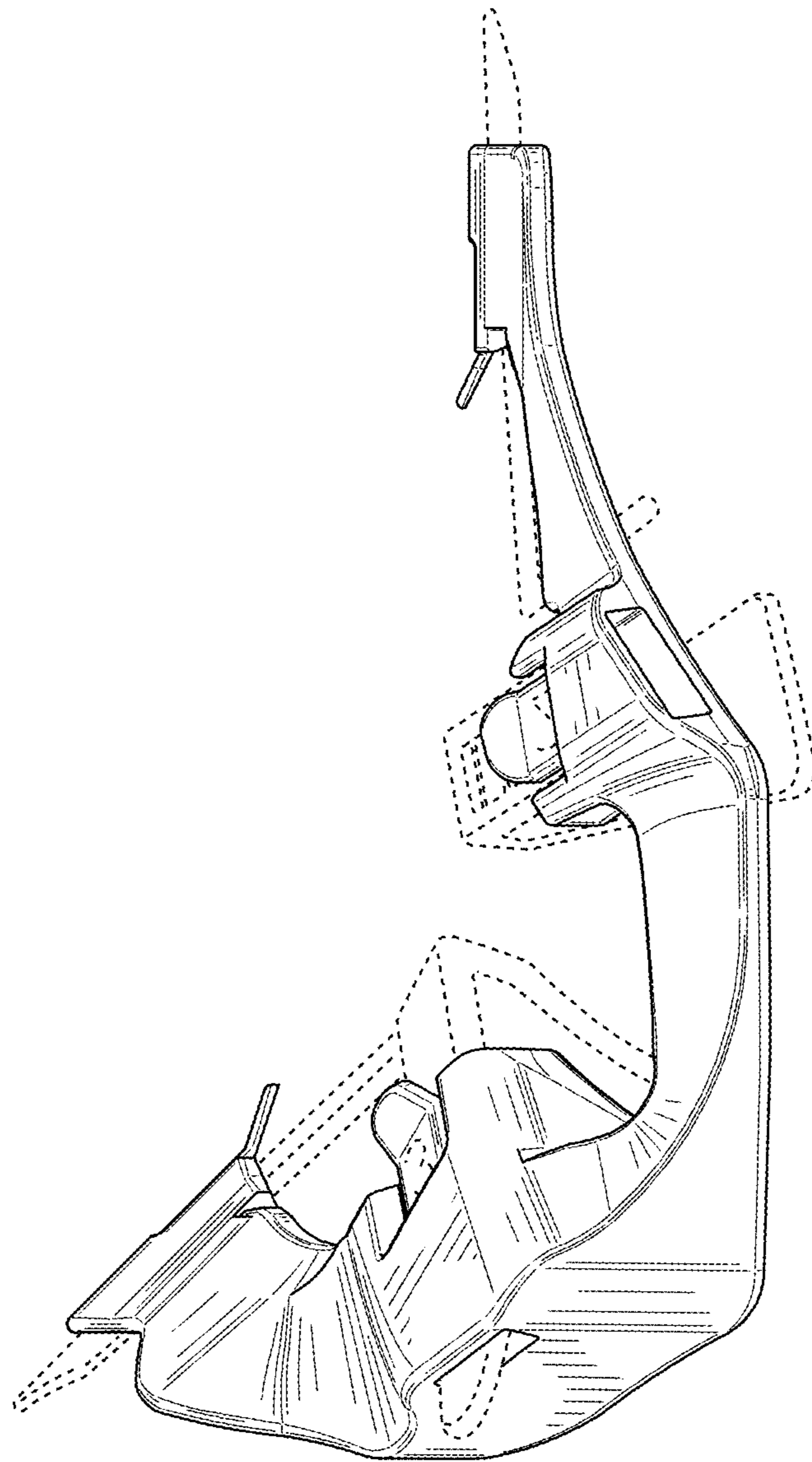


FIG. 10

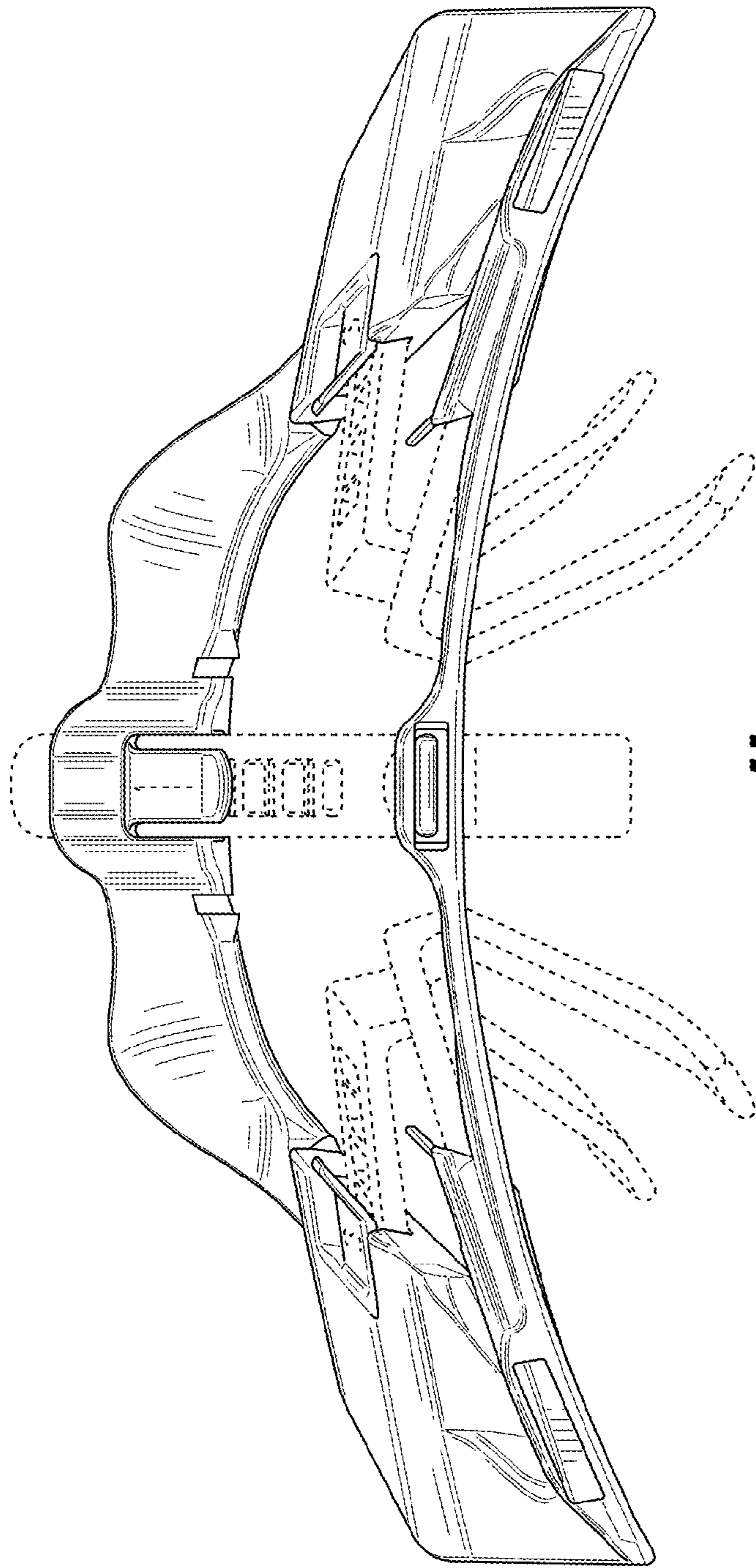


FIG. 11

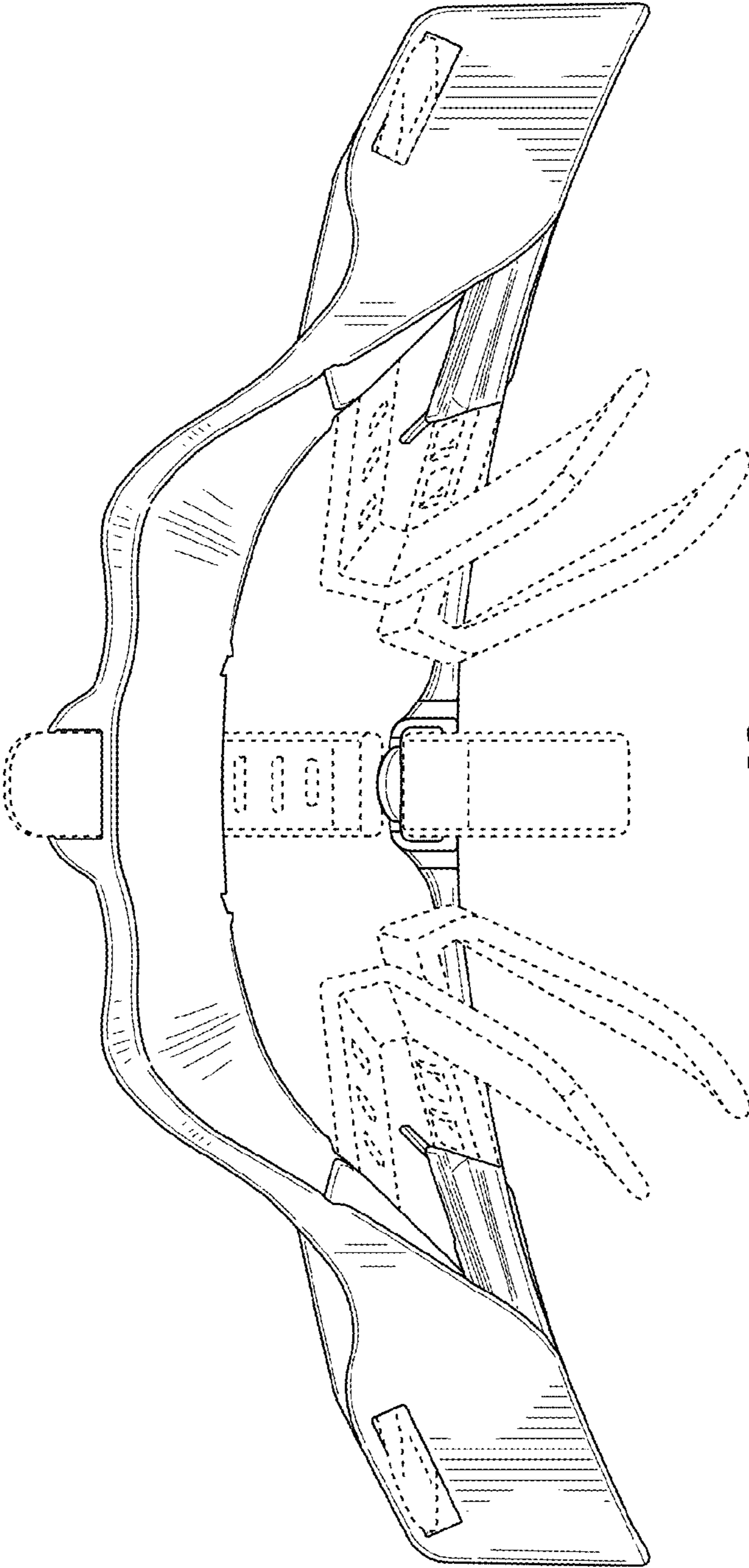


FIG. 12

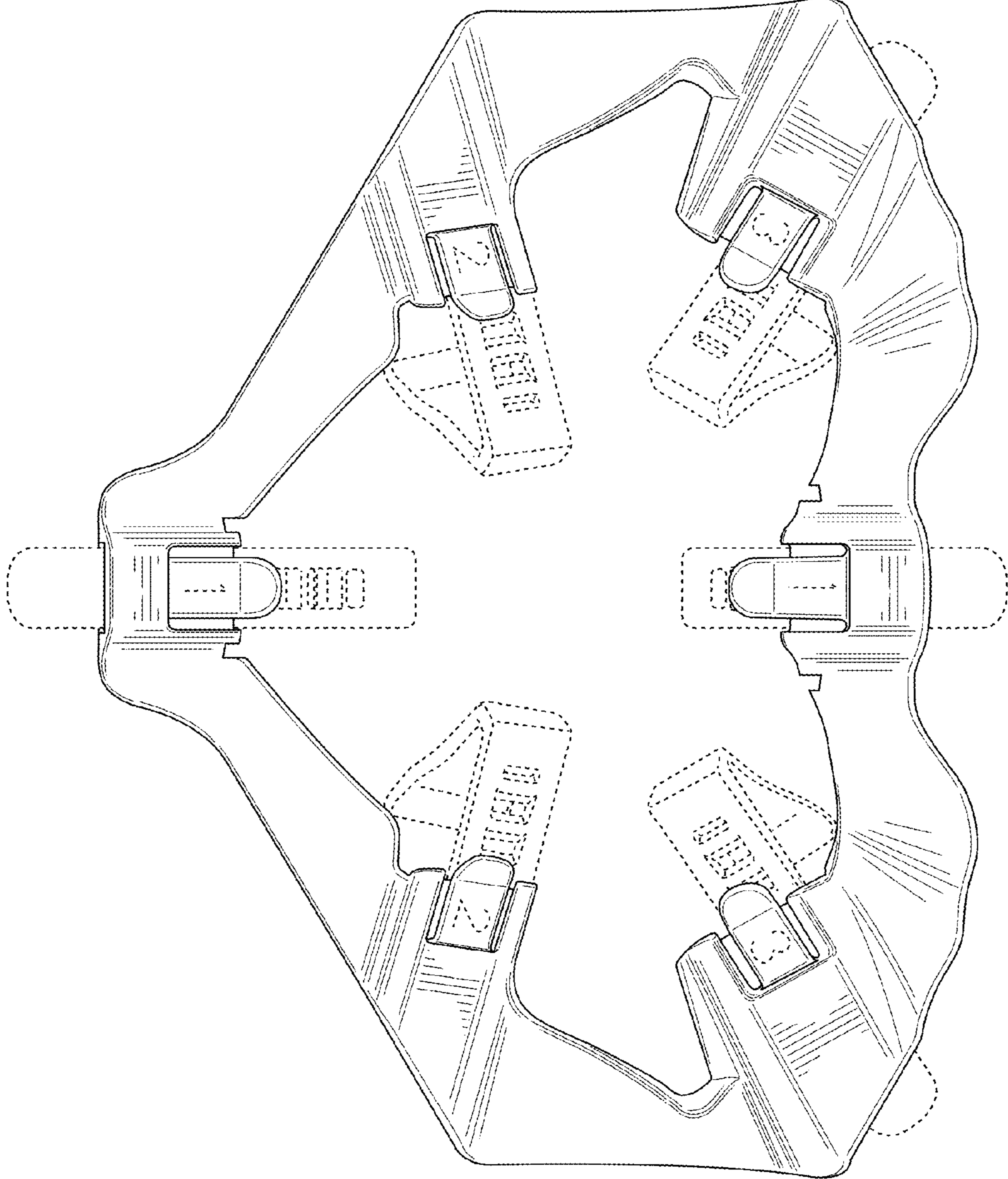


FIG. 13

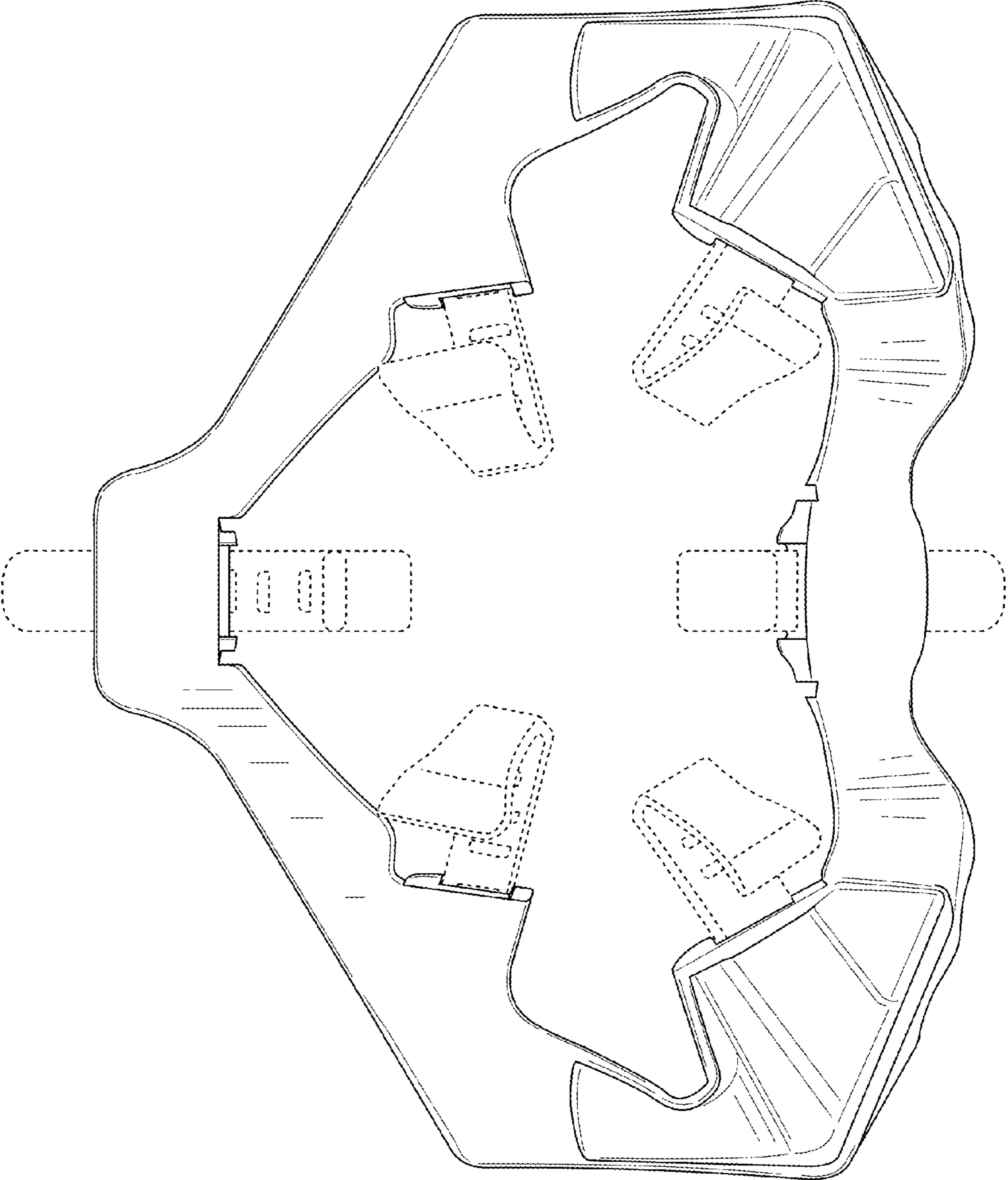


FIG. 14