



US00D737435S

(12) **United States Design Patent**
Ha et al.

(10) **Patent No.:** **US D737,435 S**

(45) **Date of Patent:** **** Aug. 25, 2015**

- (54) **SECUREMENT DEVICE**
- (71) Applicant: **3M Innovative Properties Company**,
Saint Paul, MN (US)
- (72) Inventors: **Phong VanThanh Ha**, Hudson, WI
(US); **Donald George Peterson**,
Shoreview, MN (US); **Steven Bruce**
Heinecke, New Richmond, WI (US);
Daniel P. Decabooter, Woodbury, MN
(US); **Matthew Howard Fryxell**,
Minnetonka, MN (US)
- (73) Assignee: **3M INNOVATIVE PROPERTIES**
COMPANY, Saint Paul, MN (US)
- (**) Term: **14 Years**
- (21) Appl. No.: **29/432,649**
- (22) Filed: **Sep. 18, 2012**
- (51) **LOC (10) Cl.** **24-02**
- (52) **U.S. Cl.**
USPC **D24/128**
- (58) **Field of Classification Search**
USPC D24/107, 108, 127, 128, 169, 110.4;
D8/354; 248/205.3; 604/500, 174, 180
See application file for complete search history.

6,491,664	B2 *	12/2002	Bierman	604/180
D504,175	S *	4/2005	Westbrook	D24/128
7,014,627	B2 *	3/2006	Bierman	604/174
D547,862	S *	7/2007	Dikeman et al.	D24/128
D555,788	S *	11/2007	Southwell et al.	D24/128
D568,466	S *	5/2008	Dikeman et al.	D24/128
D569,506	S *	5/2008	Dikeman et al.	D24/128
D583,937	S *	12/2008	White	D24/128
D584,406	S *	1/2009	Veedfald et al.	D24/128
7,520,870	B2 *	4/2009	Bierman	604/180
7,578,804	B2 *	8/2009	Bierman	604/174
D618,792	S *	6/2010	Bierman	D24/128
D619,711	S *	7/2010	Lombardo et al.	D24/143
D629,512	S *	12/2010	Bierman et al.	D24/128
D629,513	S *	12/2010	Bierman et al.	D24/128
D629,514	S *	12/2010	Bierman	D24/128
D630,317	S *	1/2011	Wung	D24/128
D634,423	S *	3/2011	Heinecke et al.	D24/128
7,922,697	B2 *	4/2011	Beran	604/174
7,981,087	B2 *	7/2011	Gesler, III	604/174
8,016,792	B2 *	9/2011	Wright et al.	604/174
D657,055	S *	4/2012	Damber	D24/128
D657,460	S *	4/2012	Uhlenkamp et al.	D24/128
D657,869	S *	4/2012	Mammen	D24/128

(Continued)

Primary Examiner — Mark Goodwin

(74) *Attorney, Agent, or Firm* — 3M Innovative Properties Company

(57) **CLAIM**

The ornamental design for a securement device, as shown and described.

DESCRIPTION

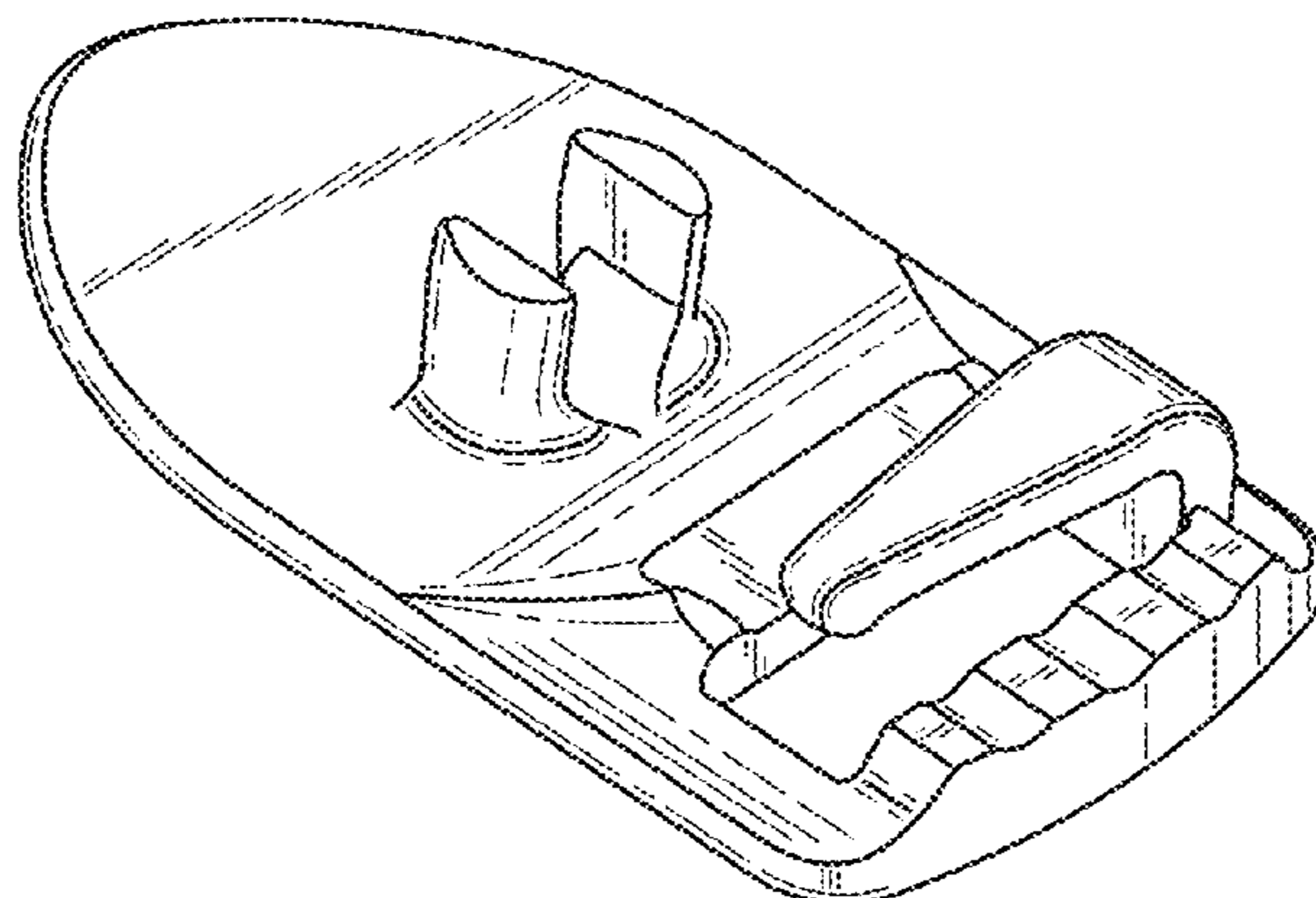
FIG. 1 is a perspective view of showing the new design for a securement device;
 FIG. 2 is a top view thereof;
 FIG. 3 is a bottom view thereof;
 FIG. 4 is a front view thereof;
 FIG. 5 is a rear view thereof;
 FIG. 6 is a right side view thereof; and,
 FIG. 7 is a left side view being a mirror image thereof.

1 Claim, 2 Drawing Sheets

(56) **References Cited**

U.S. PATENT DOCUMENTS

D241,861	S *	10/1976	Haerr	D24/128
D243,477	S *	2/1977	Cutruzzula et al.	D24/128
D252,822	S *	9/1979	McFarlane	D24/128
D290,041	S *	5/1987	Scott	D24/128
5,088,483	A *	2/1992	Heinecke	602/46
5,192,273	A *	3/1993	Bierman	604/174
D350,201	S *	8/1994	Hirsch et al.	D24/128
5,354,282	A *	10/1994	Bierman	604/180
D370,258	S *	5/1996	Newman	D24/128
D375,355	S *	11/1996	Bierman	D24/128
D389,911	S *	1/1998	Bierman	D24/128



(56)

References Cited

U.S. PATENT DOCUMENTS

8,162,898	B1 *	4/2012	Wright	604/180	D716,444	S *	10/2014	Khalaj	D24/128
D663,834	S *	7/2012	Kyvik et al.	D24/128	D721,805	S *	1/2015	Hilliard	D24/128
D683,849	S *	6/2013	Breckon	D24/128	2006/0276752	A1 *	12/2006	Bierman et al.	604/174
D708,322	S *	7/2014	Vitaris et al.	D24/128	2007/0265571	A1 *	11/2007	Utterberg et al.	604/174
D715,929	S *	10/2014	Khalaj	D24/128	2009/0137962	A1 *	5/2009	Bracken et al.	604/179
					2010/0324491	A1 *	12/2010	Bierman et al.	604/174
					2011/0319830	A1 *	12/2011	Peters et al.	604/180
					2012/0143140	A1 *	6/2012	Bierman et al.	604/174

* cited by examiner

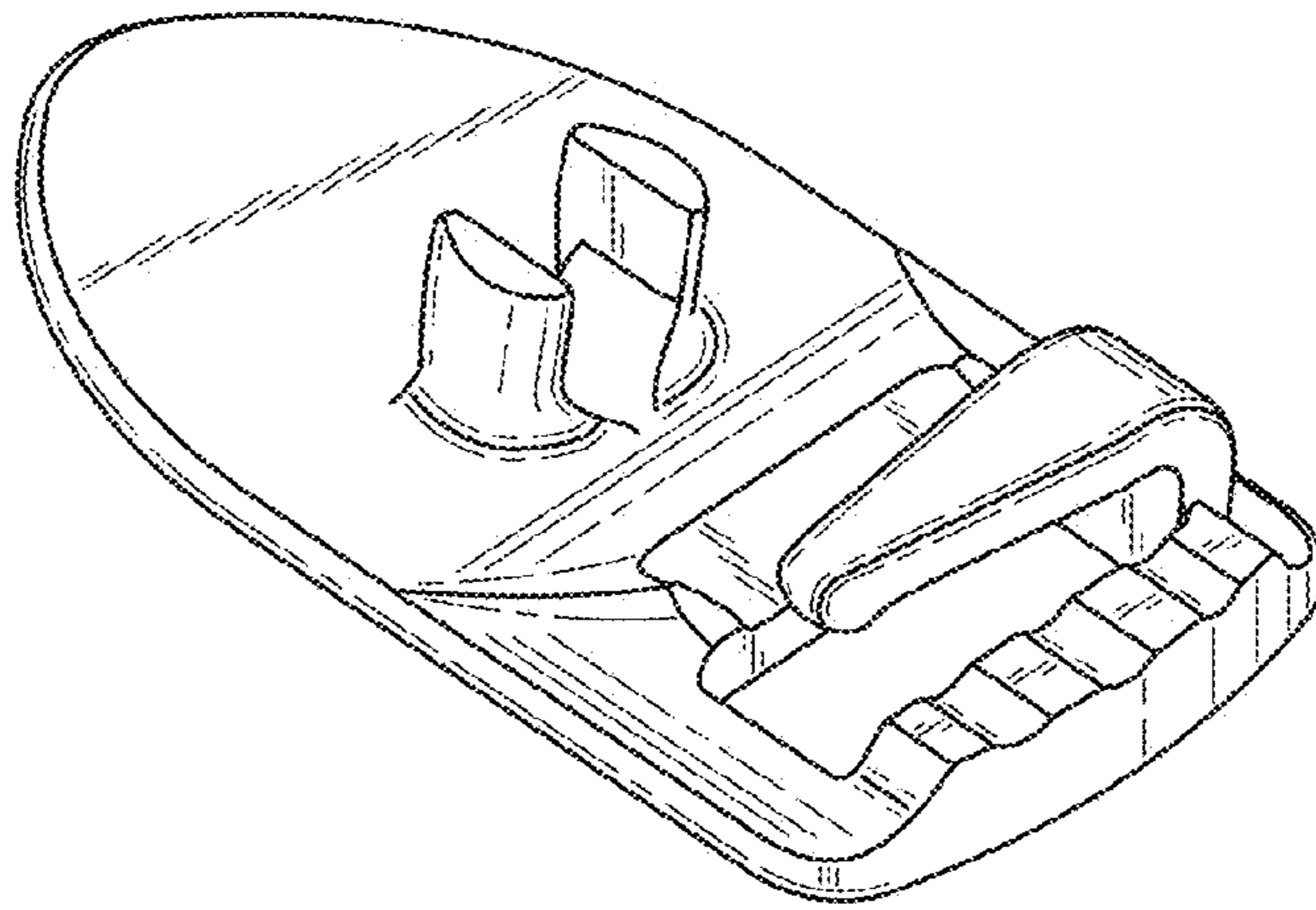


Fig. 1

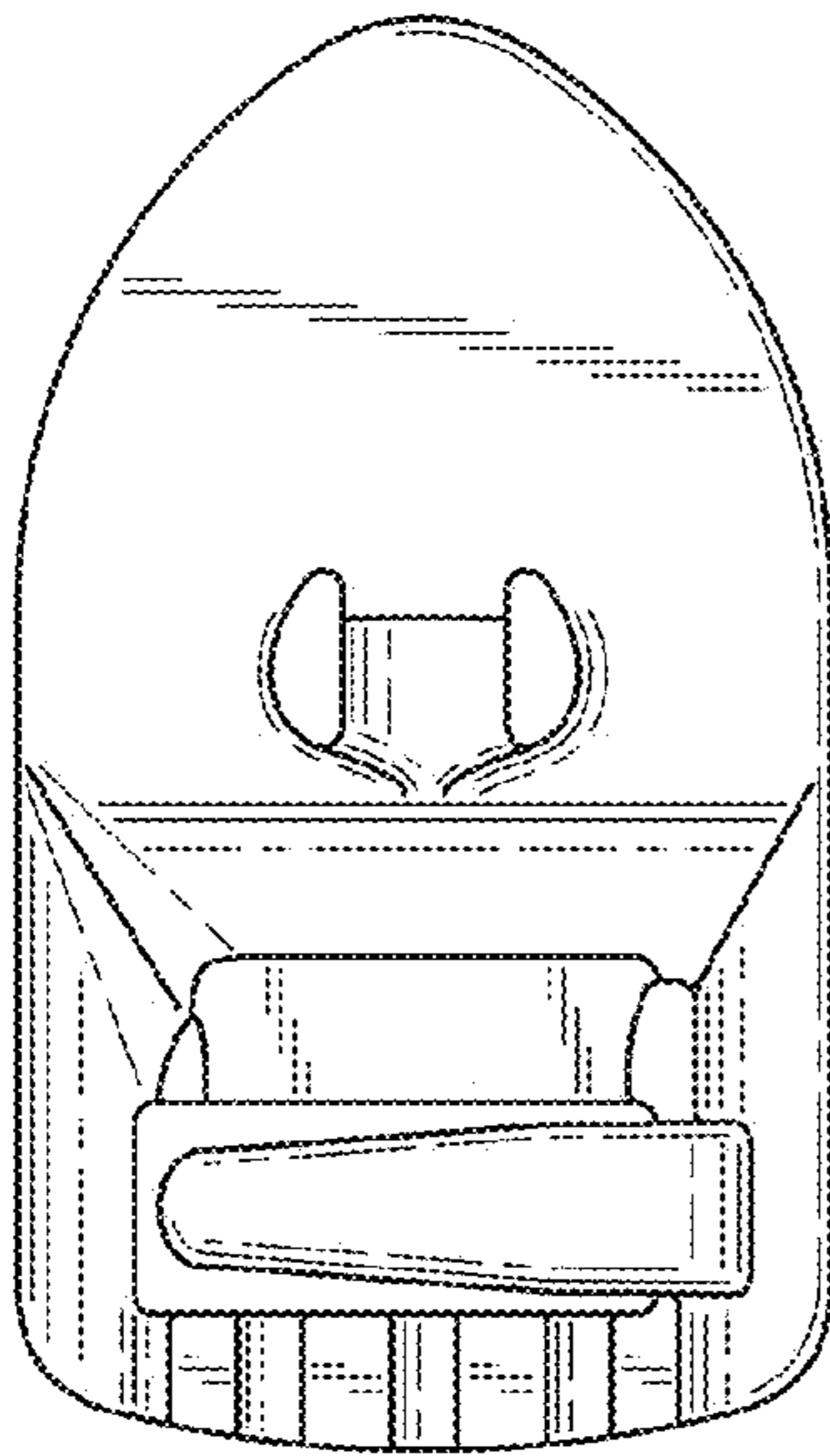


Fig. 2

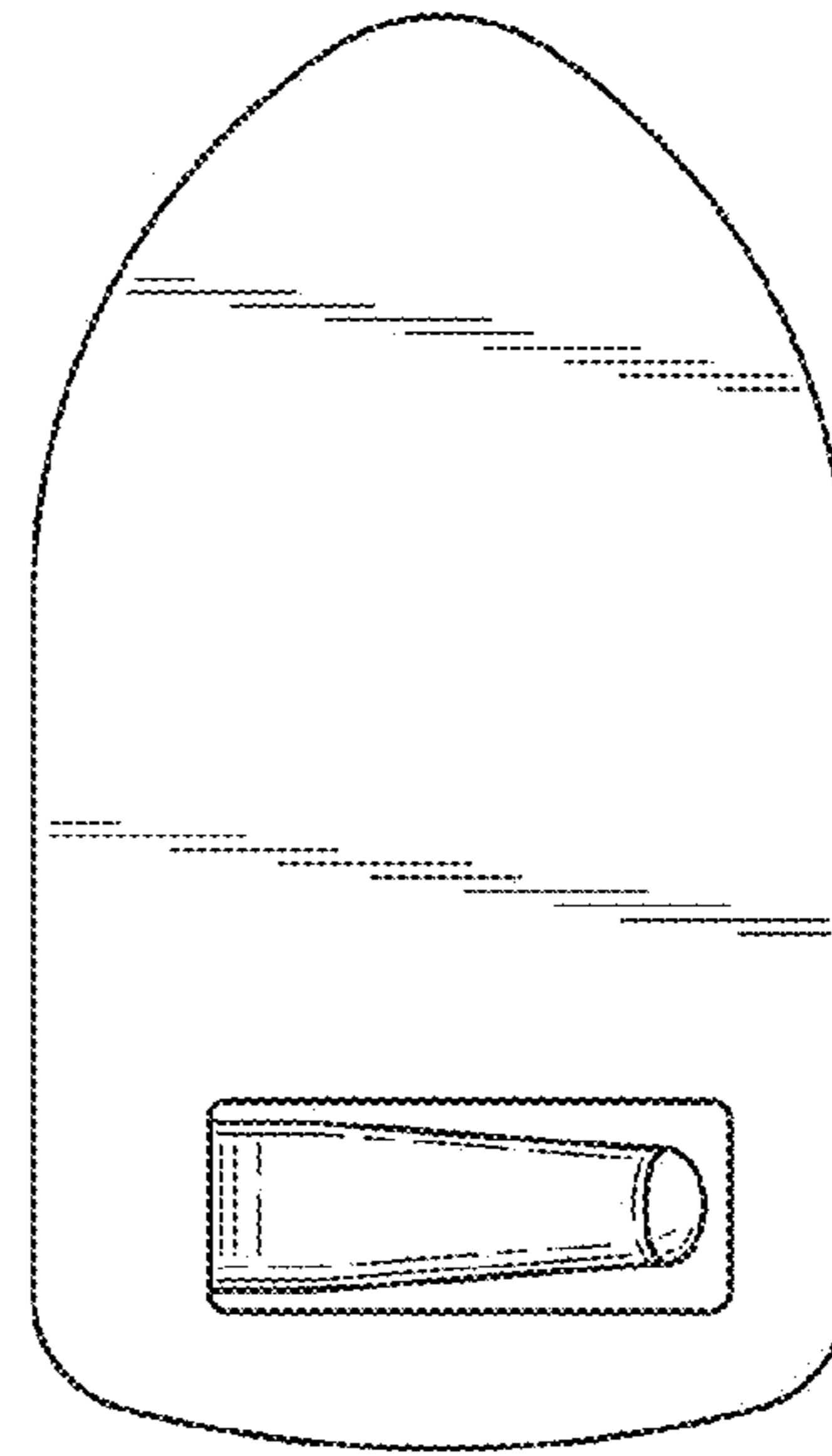


Fig. 3

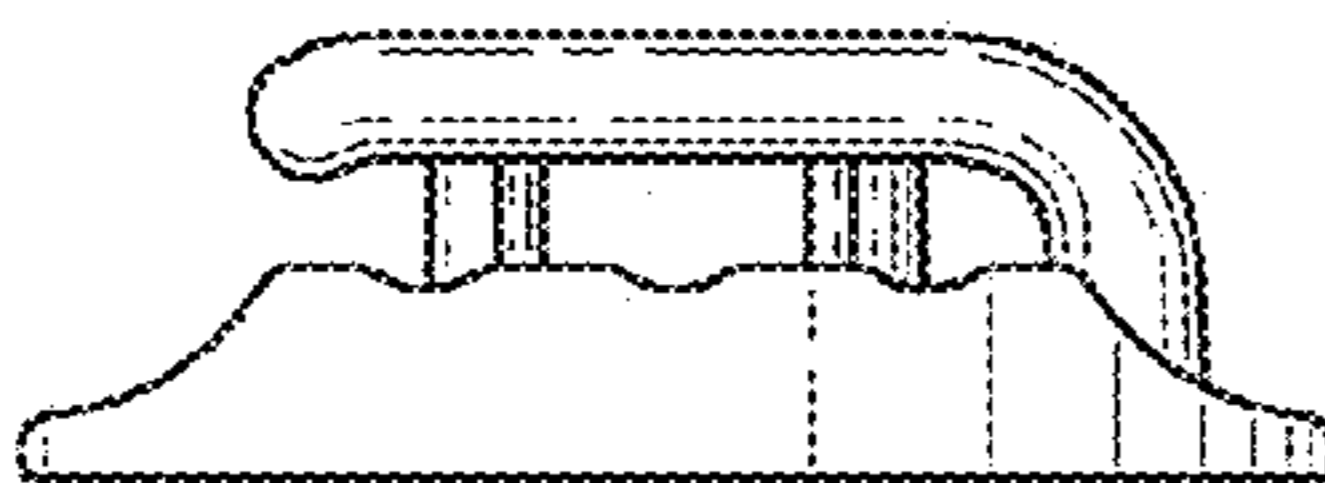


Fig. 4

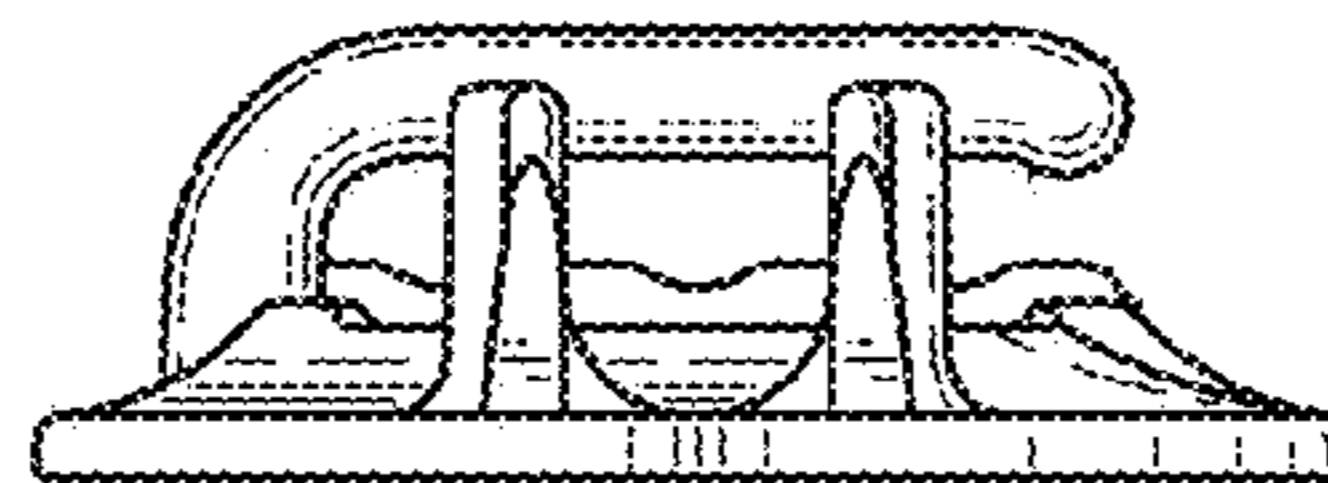


Fig. 5

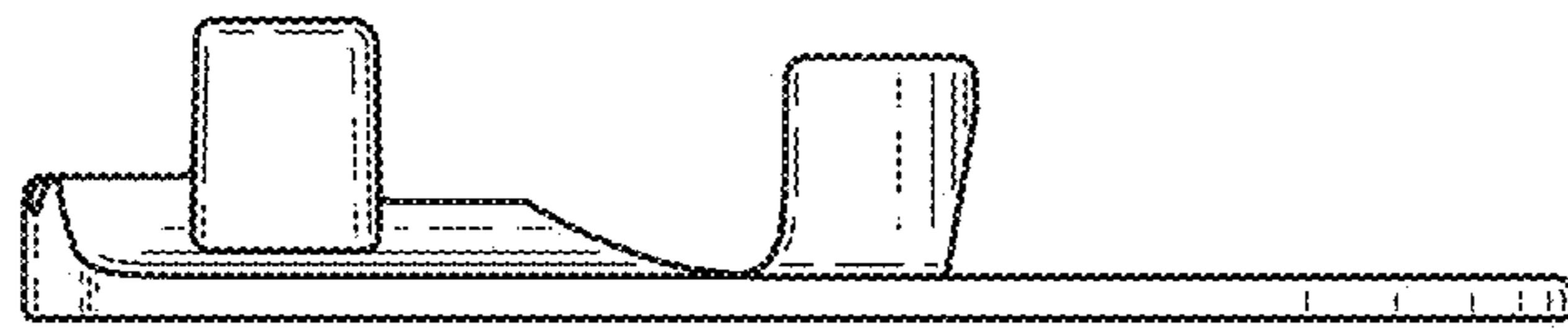


Fig. 6

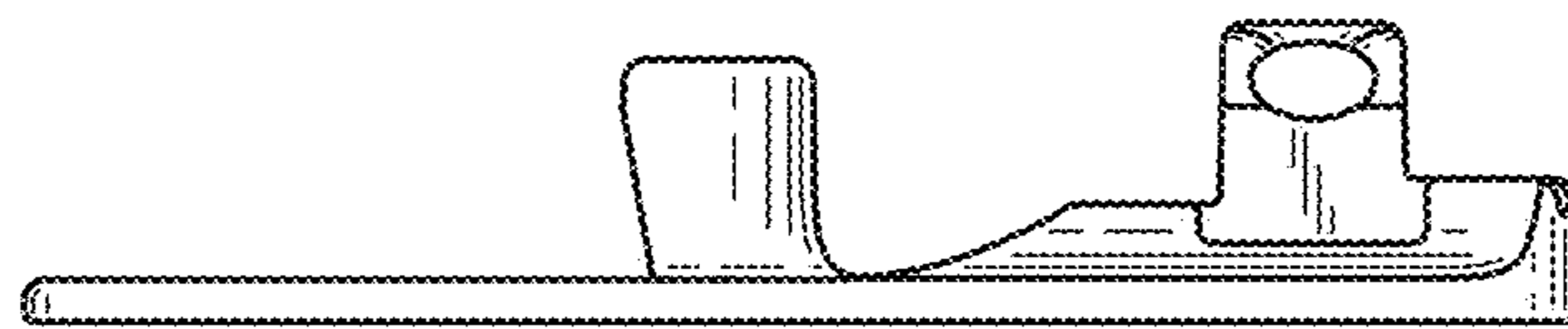


Fig. 7