

US00D737431S

(12) **United States Design Patent**
Rimsa et al.

(10) **Patent No.:** **US D737,431 S**

(45) **Date of Patent:** **** Aug. 25, 2015**

- (54) **TISSUE TRANSFER APPARATUS**
- (71) Applicant: **LifeCell Corporation**, Branchburg, NJ (US)
- (72) Inventors: **Joseph Rimsa**, Palo Alto, CA (US);
Brian J. Domecus, San Francisco, CA (US)
- (73) Assignee: **LifeCell Corporation**, Branchburg, NJ (US)
- (**) Term: **14 Years**
- (21) Appl. No.: **29/497,697**
- (22) Filed: **Jul. 28, 2014**

- D424,194 S 5/2000 Holdaway et al.
- 6,258,054 B1 7/2001 Mozsary et al.
- D492,995 S 7/2004 Rue et al.
- D575,393 S 8/2008 Stephens
- 7,588,732 B2 9/2009 Buss
- 7,780,649 B2 8/2010 Shippert
- 7,789,872 B2 9/2010 Shippert
- 7,794,449 B2 9/2010 Shippert
- 8,062,286 B2 11/2011 Shippert
- 8,293,532 B2 10/2012 Moynahan
- 8,333,740 B2 12/2012 Shippert

(Continued)

OTHER PUBLICATIONS

Coleman et al.; "Fat Grafting to the Breast Revisited: Safety and Efficacy," *Plastic and Reconstructive Surgery*; 119(3):775-785 (Mar. 2007).

(Continued)

Related U.S. Application Data

- (63) Continuation of application No. 29/435,991, filed on Oct. 31, 2012, now Pat. No. Des. 710,003, which is a continuation-in-part of application No. 13/371,270, filed on Feb. 10, 2012.
- (51) **LOC (10) Cl.** **24-02**
- (52) **U.S. Cl.**
USPC **D24/113**
- (58) **Field of Classification Search**
USPC D24/112-114, 130, 127, 133, 186, 108;
606/181, 185; 604/264, 272, 115,
604/164.01-164.09, 533, 232, 187, 168.01,
604/192, 19, 48, 93.01, 523, 524, 526, 131,
604/152; 600/101, 139, 143; 128/200.24,
128/207.14, 207.15
See application file for complete search history.

Primary Examiner — David Muller

(74) *Attorney, Agent, or Firm* — McCarter & English, LLP; Matthew R. Van Eman

(57) **CLAIM**

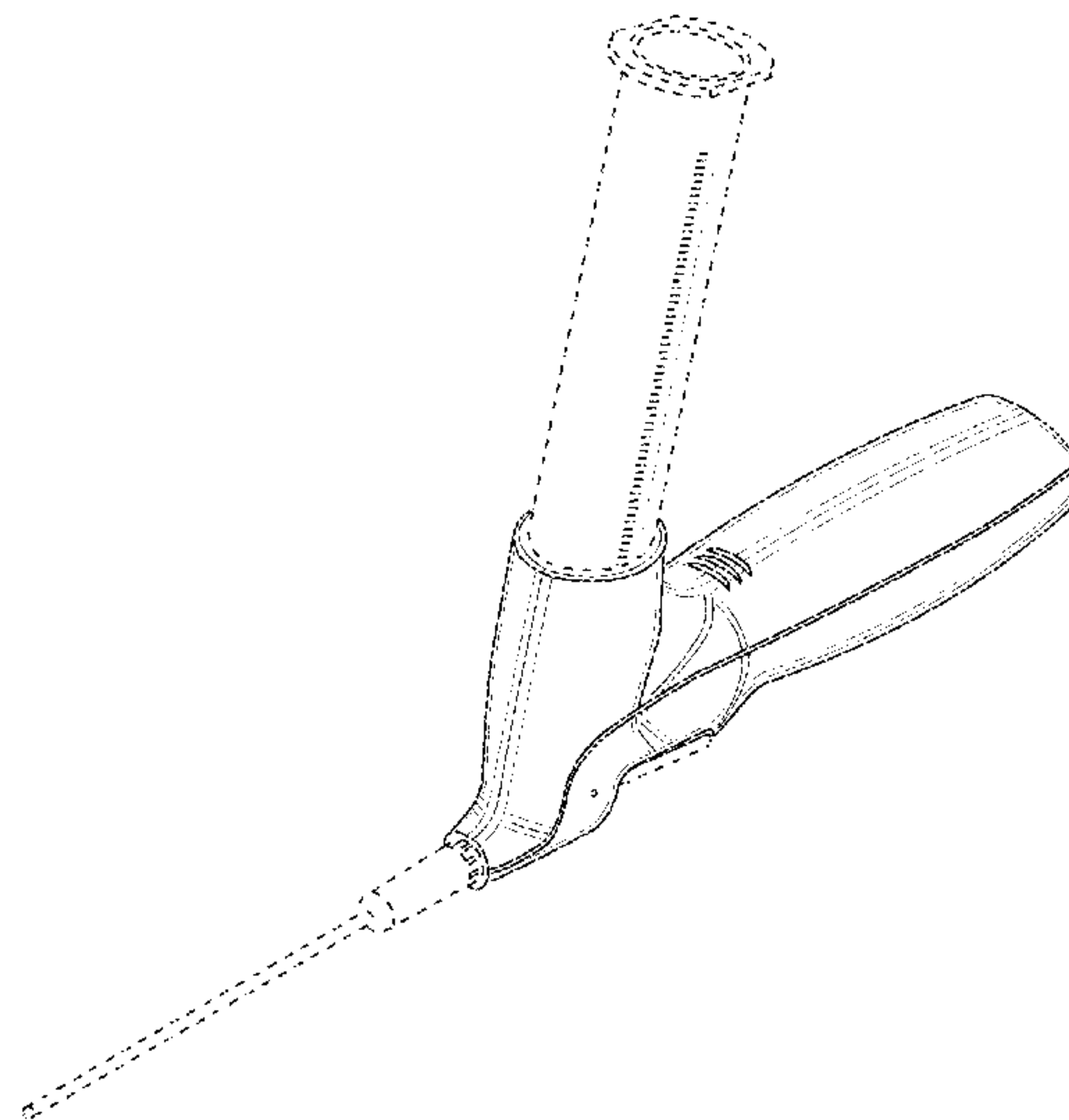
The ornamental design for a tissue transfer apparatus, as shown and described.

DESCRIPTION

FIG. 1 is a perspective view of a tissue transfer apparatus;
 FIG. 2 is a perspective view thereof;
 FIG. 3 is a reverse detailed perspective thereof;
 FIG. 4 is a side view thereof;
 FIG. 5 is a top view thereof;
 FIG. 6 is a bottom view thereof;
 FIG. 7 is a front end view thereof;
 FIG. 8 is a back end view thereof;
 FIG. 9 is a right side view thereof; and,
 FIG. 10 is a left side view thereof.
 All features illustrated in phantom line are expressly disclaimed and form no part of the claimed design.

1 Claim, 8 Drawing Sheets

- (56) **References Cited**
U.S. PATENT DOCUMENTS
4,753,634 A 6/1988 Johnson
5,785,640 A 7/1998 Kresch et al.
D401,336 S 11/1998 Muller et al.



(56)

References Cited

U.S. PATENT DOCUMENTS

D679,011	S	3/2013	Kitayama et al.	
8,409,860	B2	4/2013	Moynahan	
D683,851	S	6/2013	Greenhalgh	
D687,549	S	8/2013	Johnson et al.	
D692,559	S	10/2013	Scheibel et al.	
8,622,997	B2	1/2014	Shippert	
8,632,498	B2	1/2014	Rimsa et al.	
D710,003	S	7/2014	Rimsa et al.	
2002/0188280	A1	12/2002	Nguyen et al.	
2006/0224144	A1	10/2006	Lee	
2007/0106208	A1	5/2007	Uber et al.	
2009/0030437	A1*	1/2009	Houser et al.	606/169
2009/0105750	A1*	4/2009	Price et al.	606/206
2009/0287190	A1	11/2009	Shippert	
2010/0036370	A1*	2/2010	Mirel et al.	606/33
2010/0036405	A1*	2/2010	Giordano et al.	606/169
2010/0174162	A1	7/2010	Gough et al.	
2010/0187283	A1*	7/2010	Crainich et al.	227/175.1
2010/0298851	A1*	11/2010	Nield	606/169
2011/0009822	A1	1/2011	Nielsen	

2011/0015627	A1*	1/2011	DiNardo et al.	606/34
2011/0082486	A1*	4/2011	Messerly et al.	606/169
2011/0087256	A1*	4/2011	Wiener et al.	606/169
2011/0196405	A1*	8/2011	Dietz	606/169
2011/0230820	A1*	9/2011	Lillis et al.	604/24
2012/0078244	A1*	3/2012	Worrell et al.	606/33
2012/0080457	A1*	4/2012	Lovinger et al.	222/633
2012/0209248	A1	8/2012	Gurtner et al.	
2013/0131635	A1	5/2013	Rimsa et al.	
2013/0150825	A1	6/2013	Rimsa et al.	

OTHER PUBLICATIONS

Delay et al.; "Fat Injection to the Breast: Technique, Results and Indications Based on 880 Procedures Over 10 Years;" *Aesthetic Surgery Journal*; 29(5):360-376 (Sep./Oct. 2009).

Ting et al.; "A New Technique to Assist Epidural Needle Placement;" *Anesthesiology*; 112(5):1128-1135 (May 2010).

Yoshimura et al.; "Cell-Assisted Lipotransfer for Cosmetic Breast Augmentation: Supportive Use of Adipose-derived Stem/Stromal Cells;" *Aesthetic Plastic Surgery Journal*; 32:48-55 (2008).

* cited by examiner

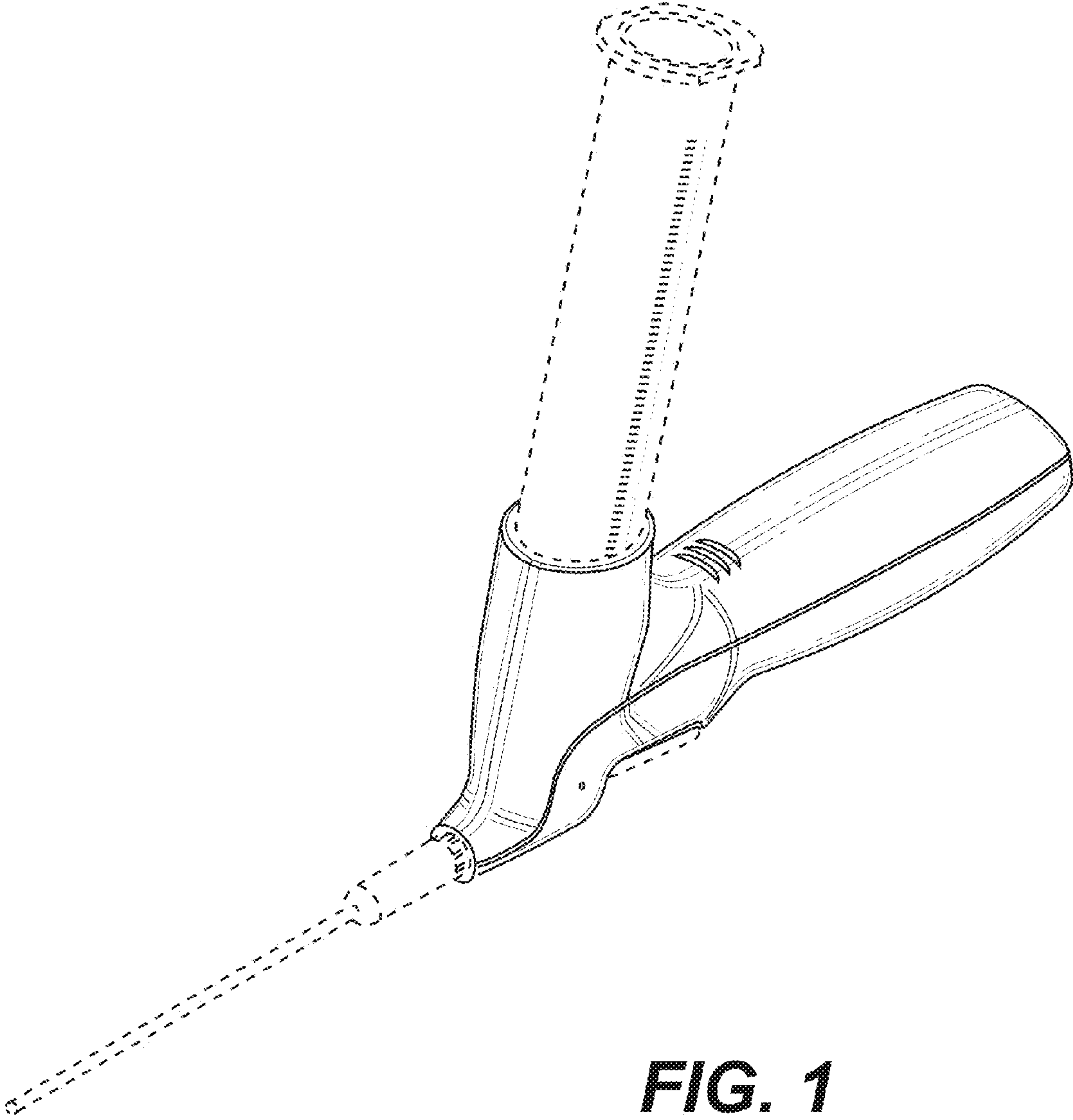


FIG. 1

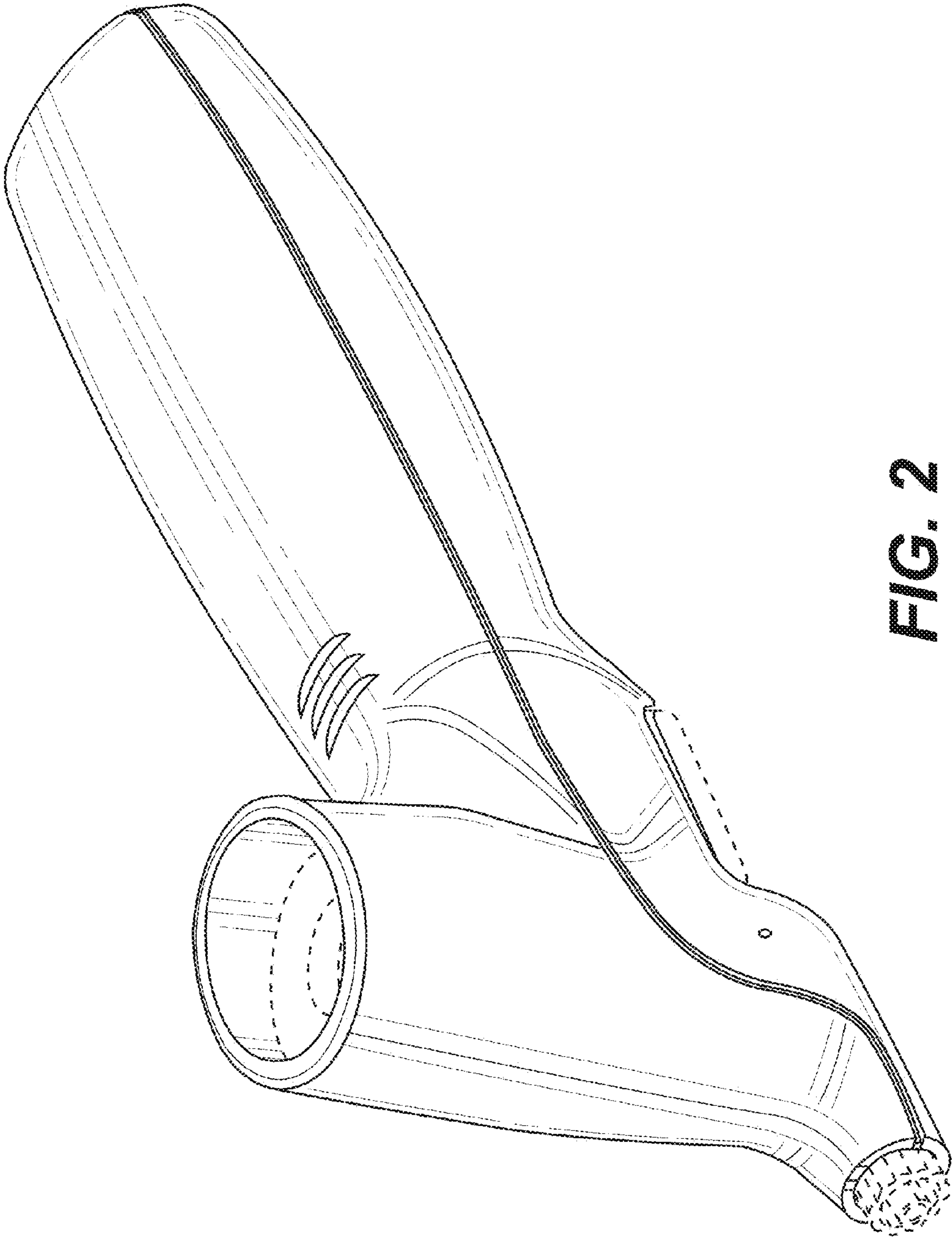


FIG. 2

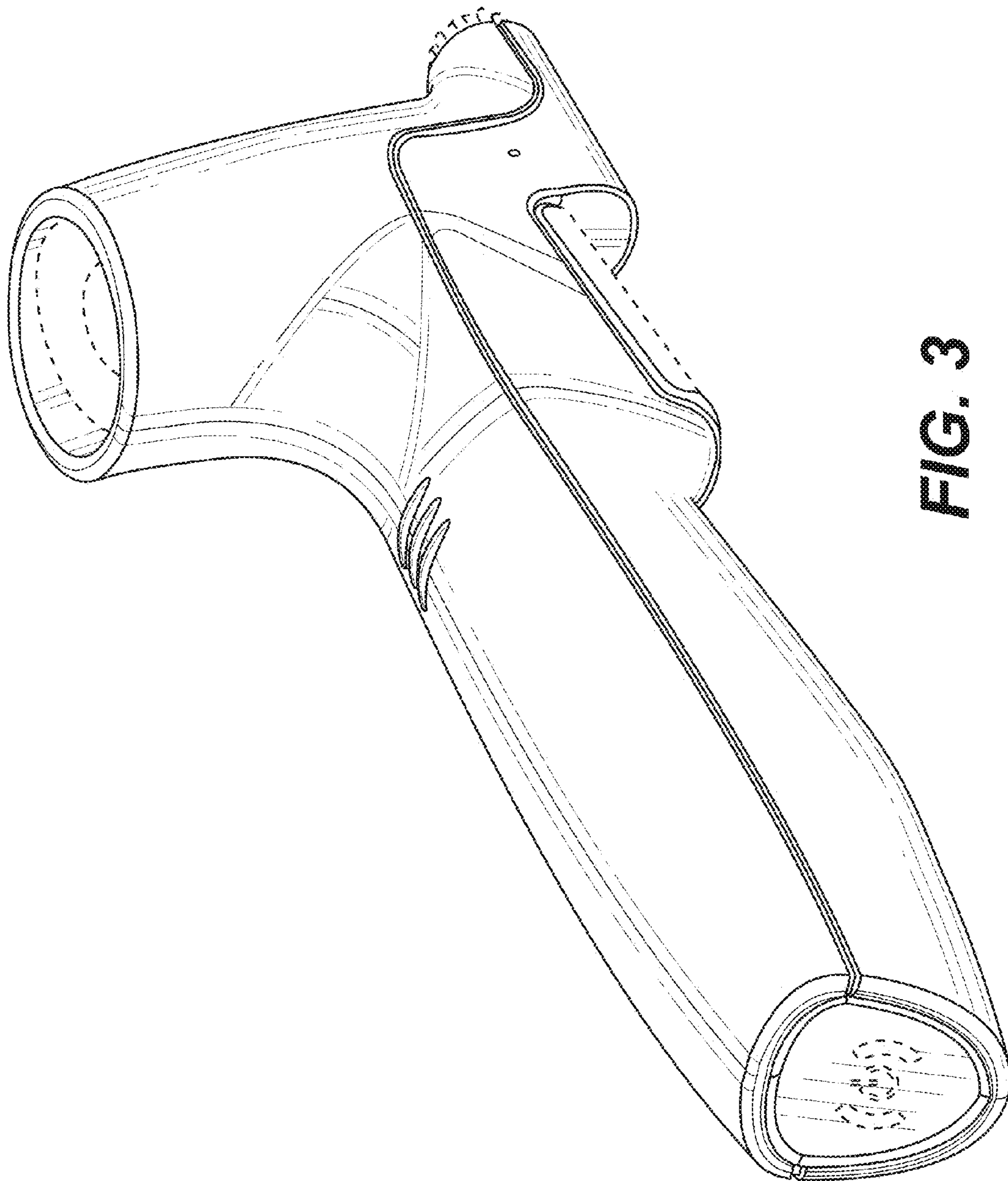


FIG. 3

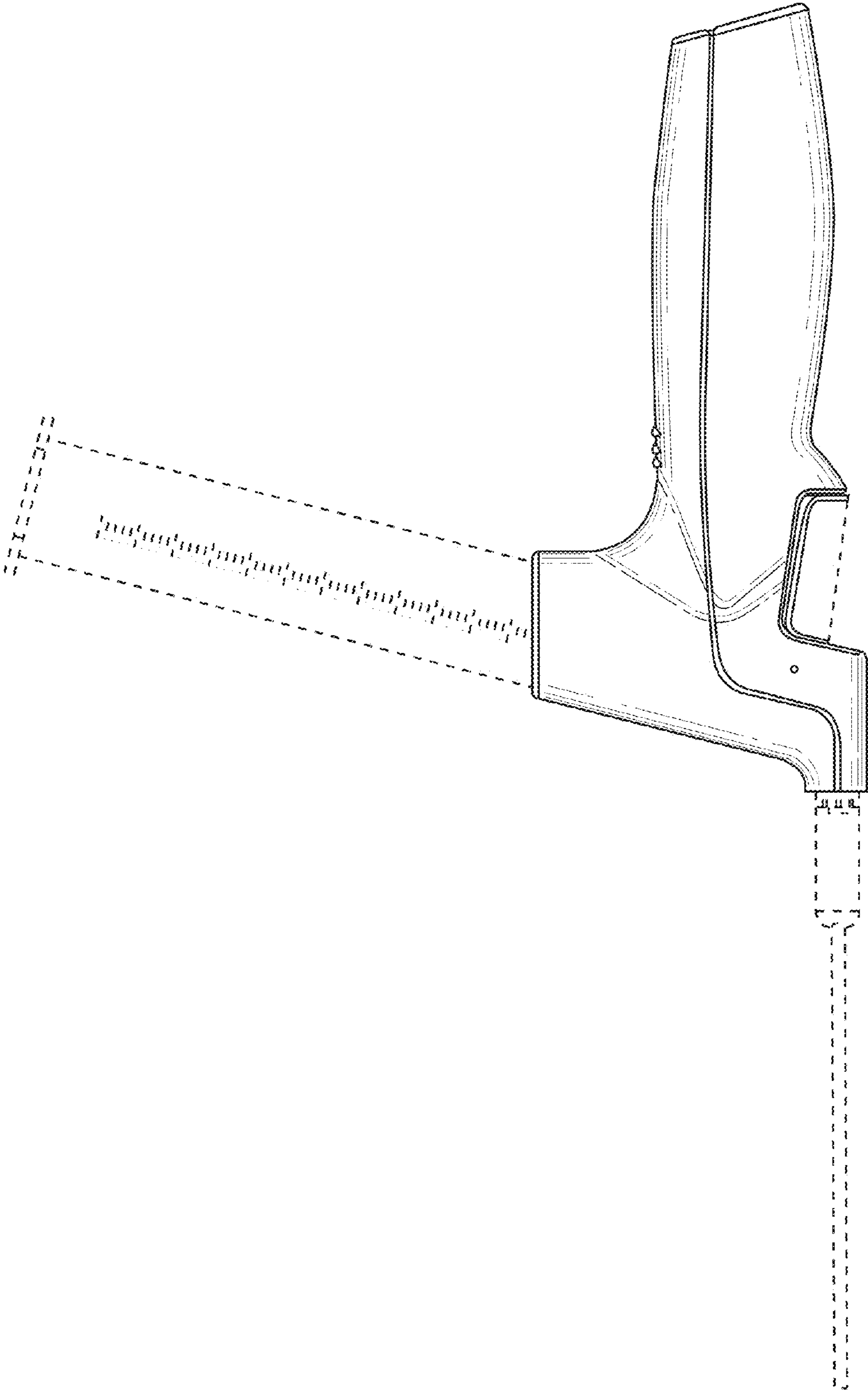


FIG. 4

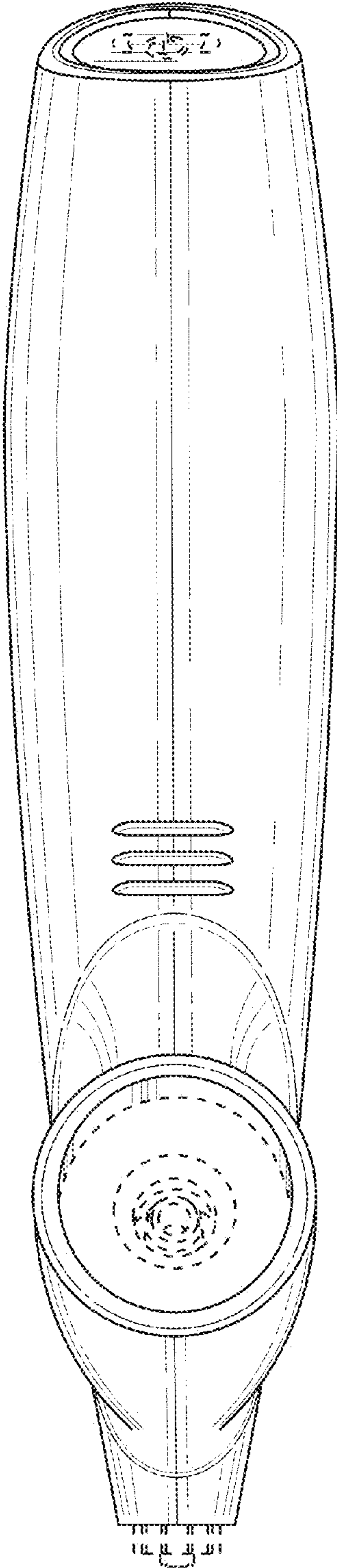


FIG. 5

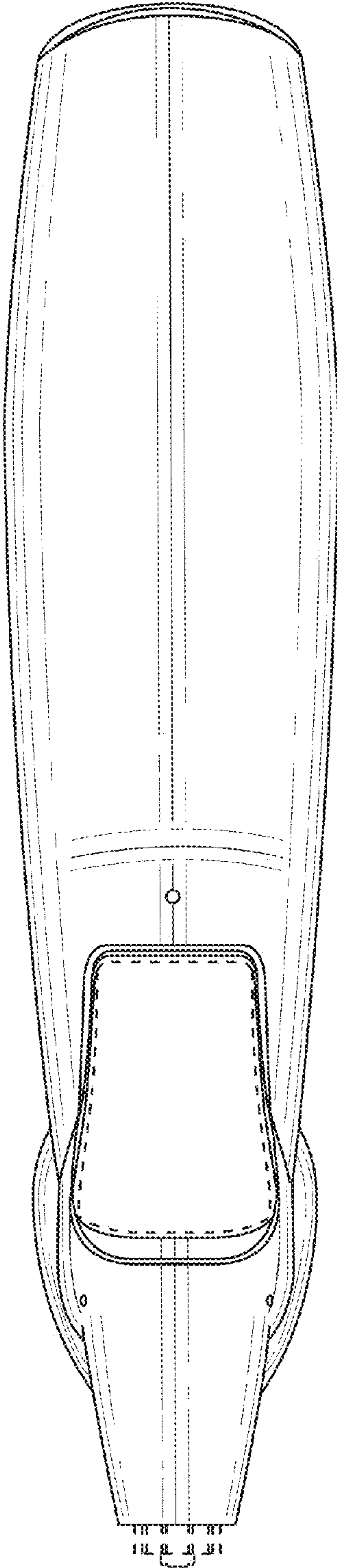


FIG. 6

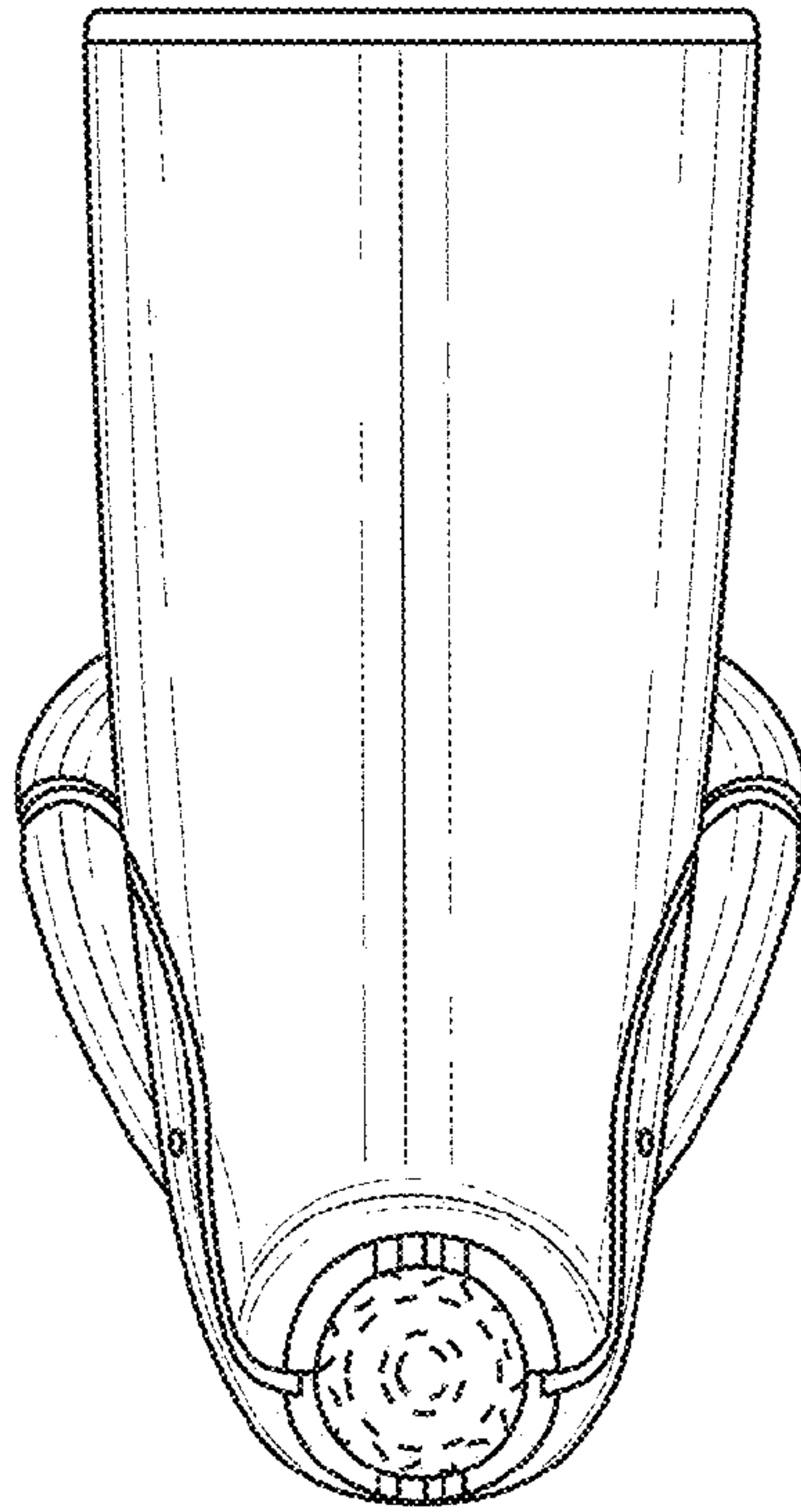


FIG. 7

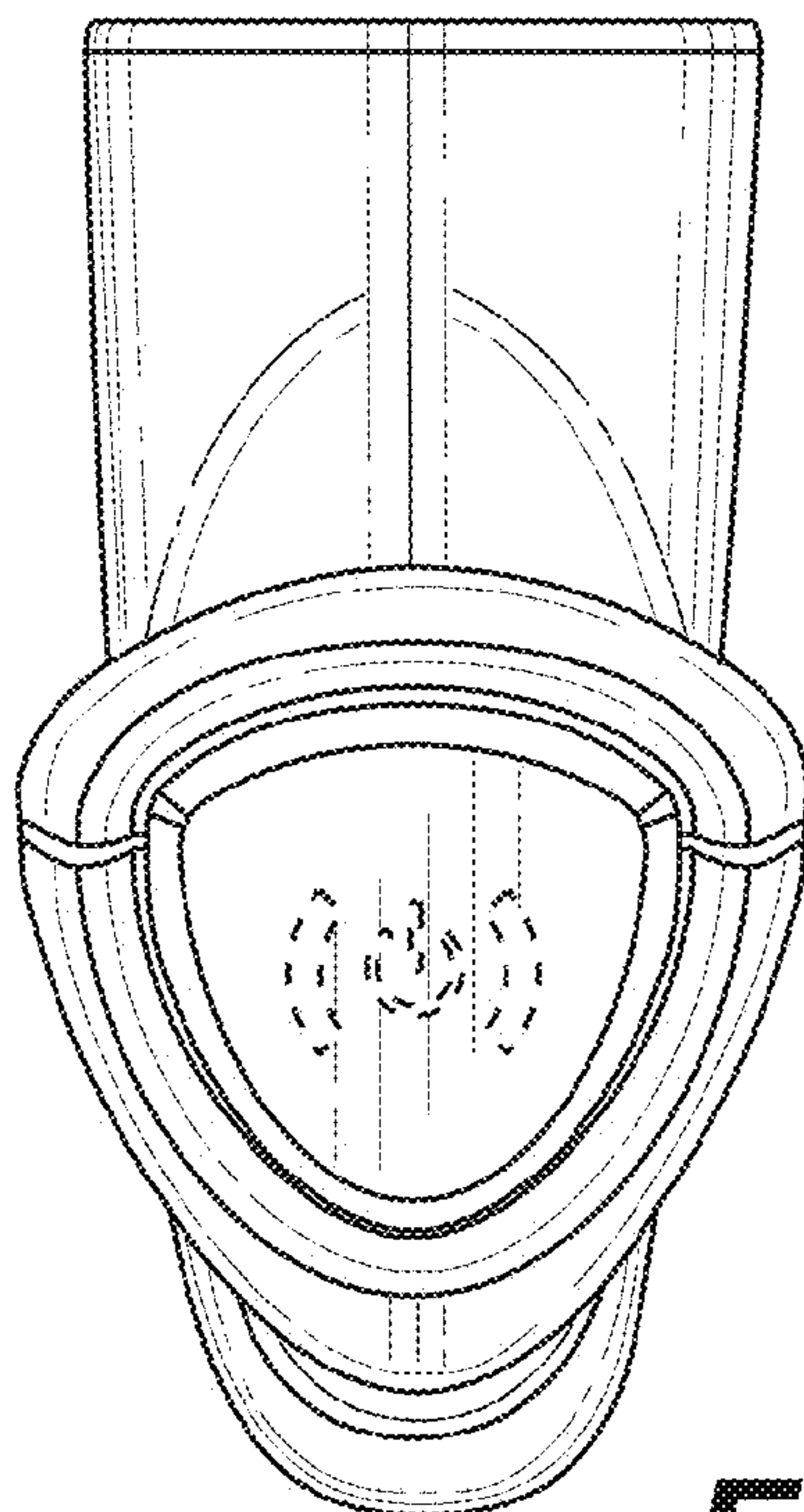


FIG. 8

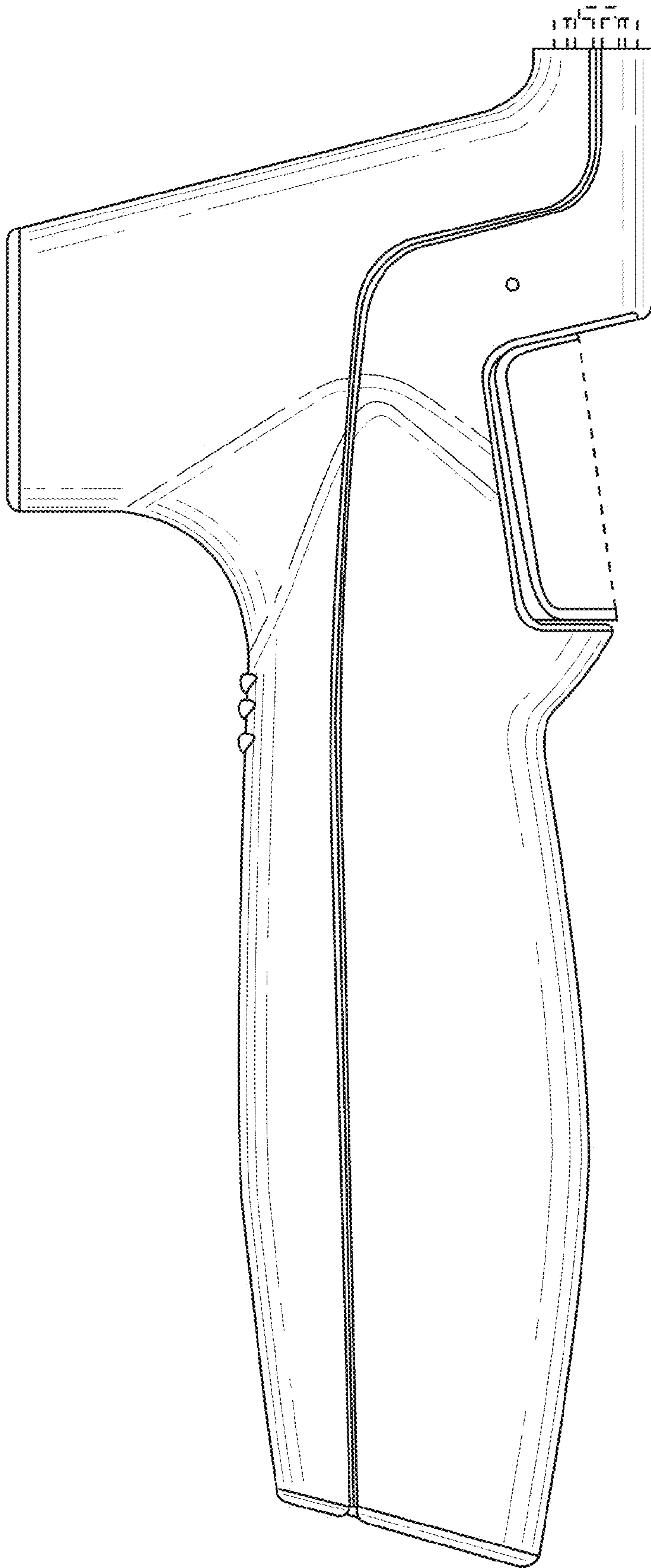


FIG. 9

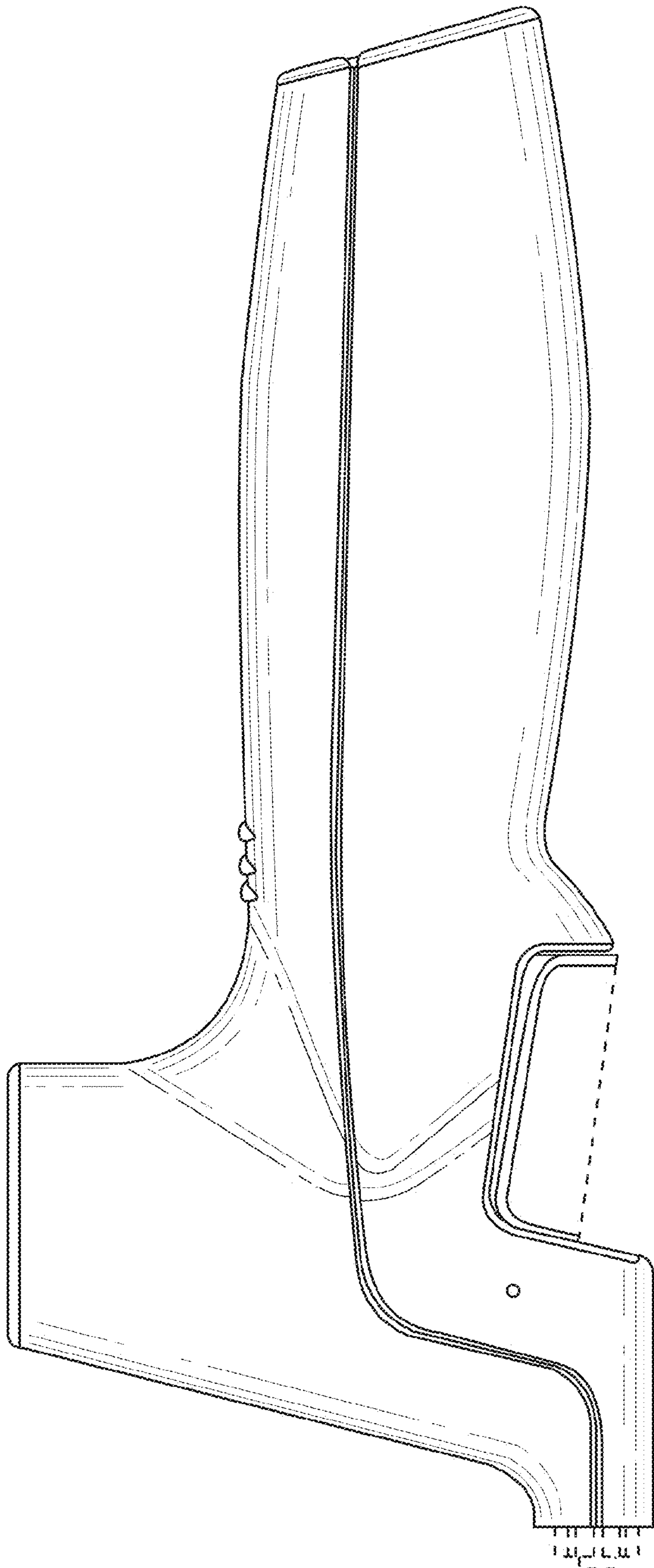


FIG. 10