



US00D737430S

(12) **United States Design Patent**
Wargner et al.

(10) **Patent No.:** **US D737,430 S**

(45) **Date of Patent:** **** Aug. 25, 2015**

(54) **INTRAOCULAR LENS IMPLANTATION
DEVICE**

(71) Applicant: **Santen Pharmaceutical Co., Ltd.**,
Osaka-shi, Osaka (JP)

(72) Inventors: **Christian Winfried Wargner**, Osaka
(JP); **Yoshitaka Yamada**, Osaka (JP);
Katsuyuki Ueno, Osaka (JP)

(73) Assignee: **Santen Pharmaceutical Co., Ltd.**,
Osaka-shi, Osaka (JP)

(**) Term: **14 Years**

(21) Appl. No.: **29/442,737**

(22) Filed: **Apr. 29, 2013**

(30) **Foreign Application Priority Data**

Oct. 30, 2012 (JP) 2012-026402

(51) **LOC (10) Cl.** **24-02**

(52) **U.S. Cl.**
USPC **D24/112**

(58) **Field of Classification Search**
USPC D24/110.6, 112-118, 120, 121, 127,
D24/130, 131; 600/5, 356; 623/6.12;
606/107, 6.38
See application file for complete search history.

(56) **References Cited**

U.S. PATENT DOCUMENTS

6,312,433 B1 * 11/2001 Butts et al. 606/107
6,371,960 B2 * 4/2002 Heyman et al. 606/107

D674,086 S * 1/2013 Khalaj D24/114
8,435,289 B2 * 5/2013 Cole et al. 623/6.12
D690,417 S * 9/2013 Solomon D24/114
2007/0050023 A1 * 3/2007 Bessiere et al. 623/6.12
2007/0150054 A1 * 6/2007 Pynson 623/6.12
2012/0022547 A1 * 1/2012 Hildebrand et al. 606/107
2012/0221102 A1 * 8/2012 Tanaka et al. 623/6.12
2014/0135784 A1 * 5/2014 Maroscheck et al. 606/107

* cited by examiner

Primary Examiner — Garth Rademaker

Assistant Examiner — Samantha Q Lawrence

(74) *Attorney, Agent, or Firm* — Squire Patton Boggs (US)
LLP

(57) **CLAIM**

The ornamental design for an intraocular lens implantation
device, as shown and described.

DESCRIPTION

FIG. 1 is a front view of an intraocular lens implantation
device showing our new design;
FIG. 2 is a rear view thereof;
FIG. 3 is a left side view thereof;
FIG. 4 is a right side view thereof;
FIG. 5 is a top plan view thereof;
FIG. 6 is a bottom view thereof;
FIG. 7 is a top perspective view thereof; and,
FIG. 8 is a bottom perspective view thereof.

The dot-dot broken lines are directed to illustrative environ-
mental subject matter that forms no part of the claimed design
or to portions of the devices that form no part of the claimed
design. The dash-dot broken lines represent bounds of the
claimed design and do not themselves form a part of the
claimed design.

1 Claim, 8 Drawing Sheets

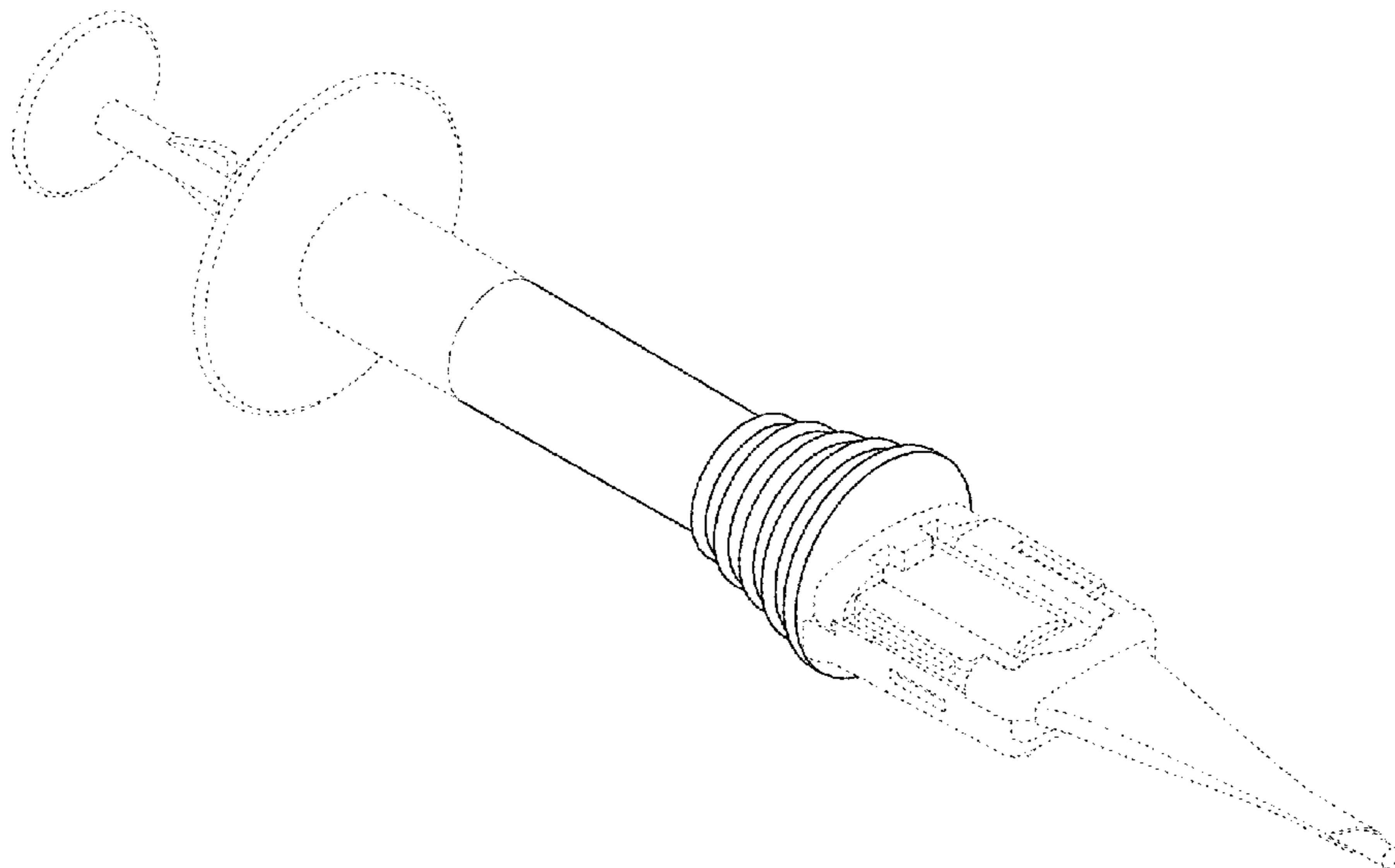


Fig. 1

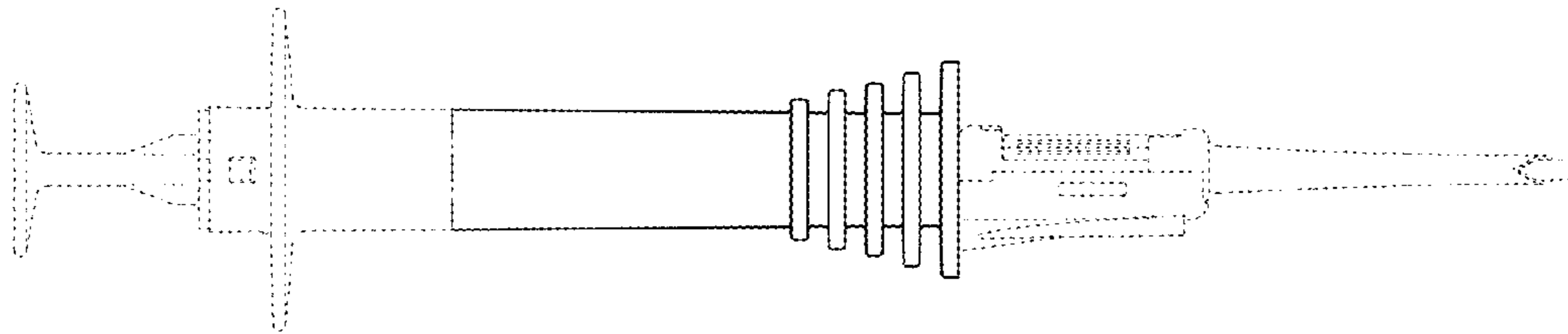


Fig. 2

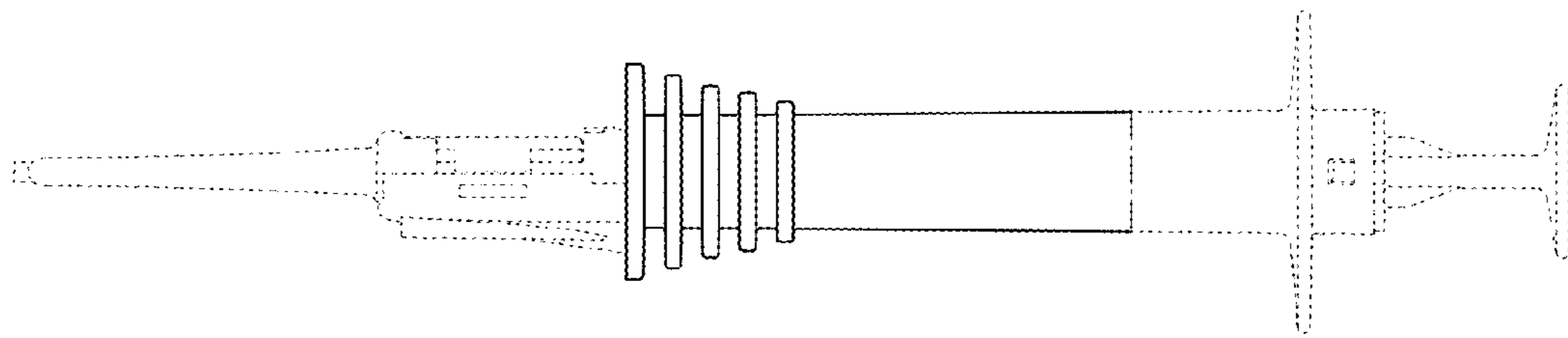


Fig. 3

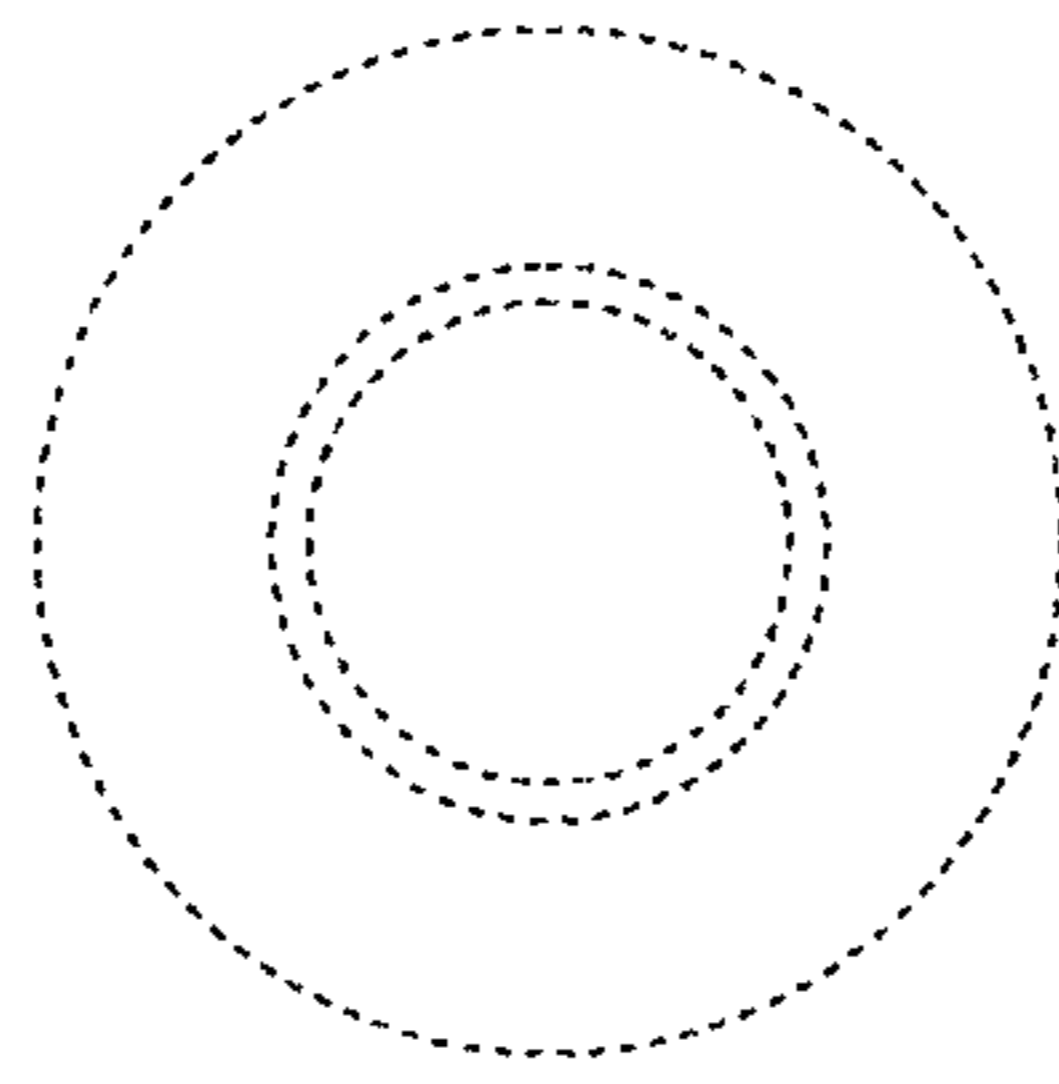


Fig. 4

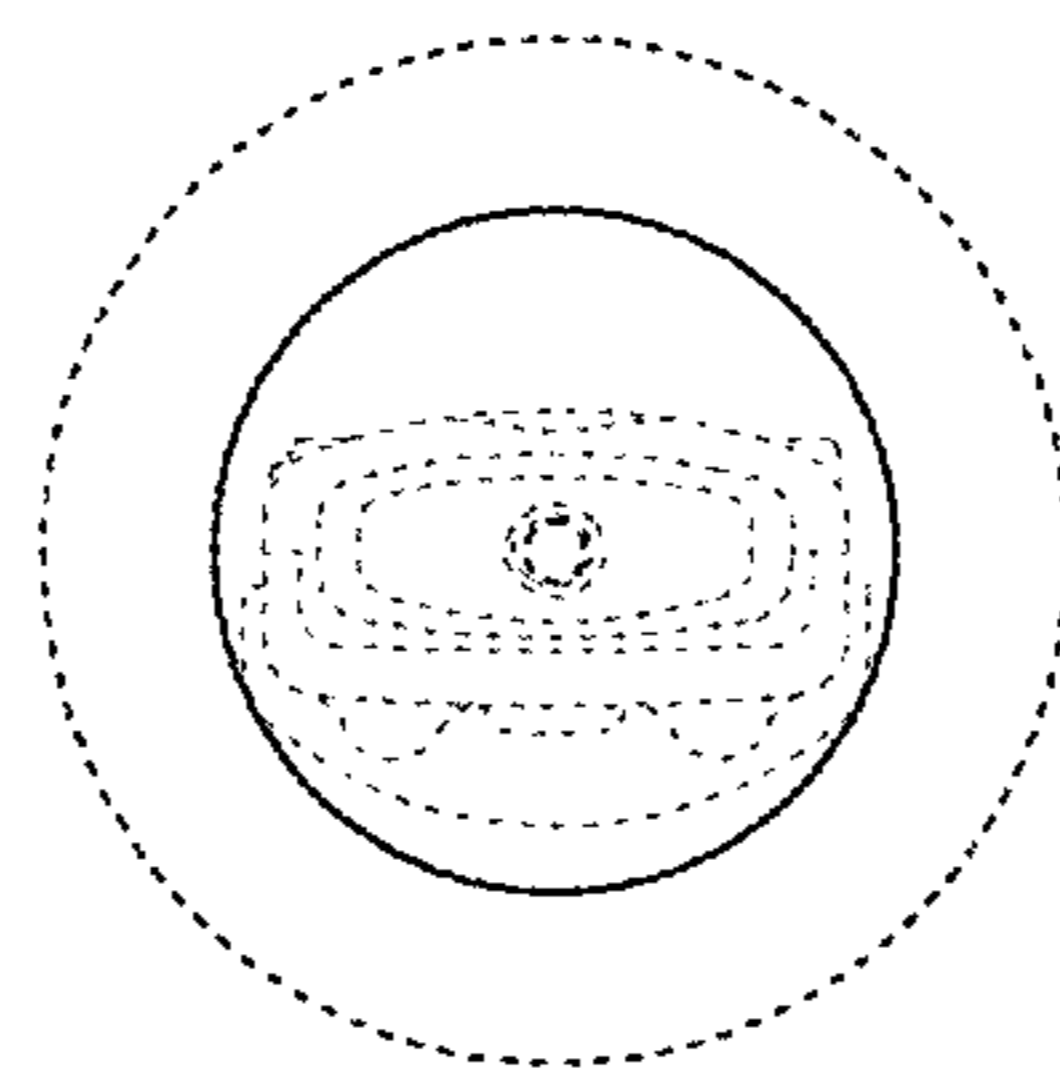


Fig. 5

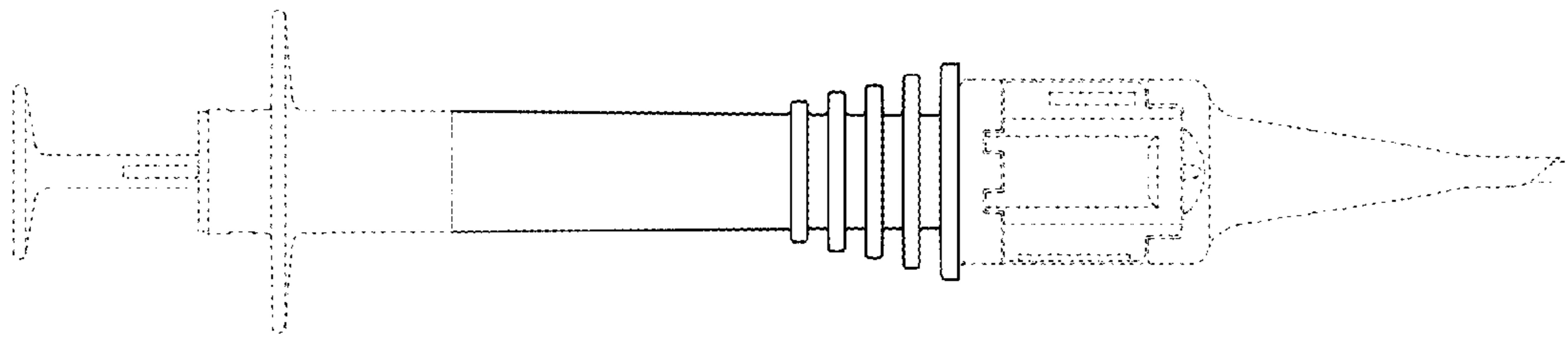


Fig. 6

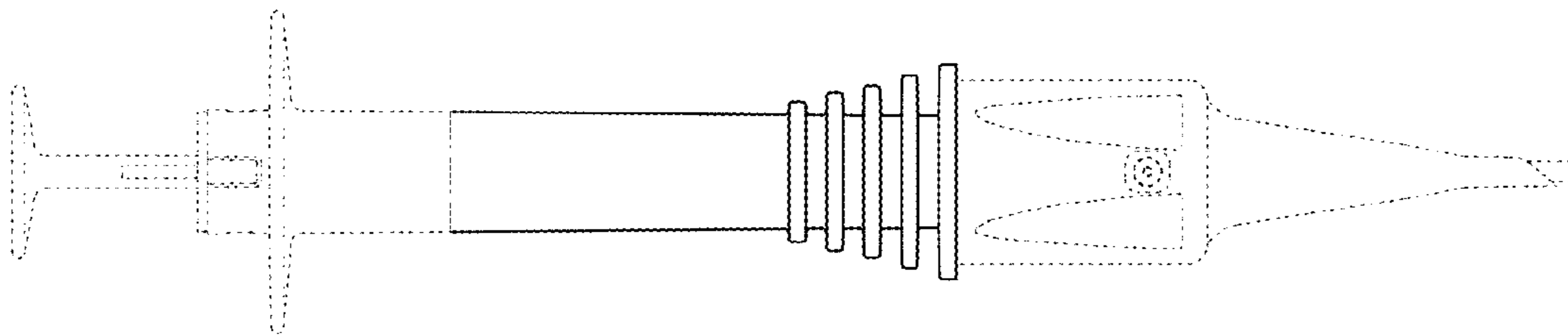


Fig. 7

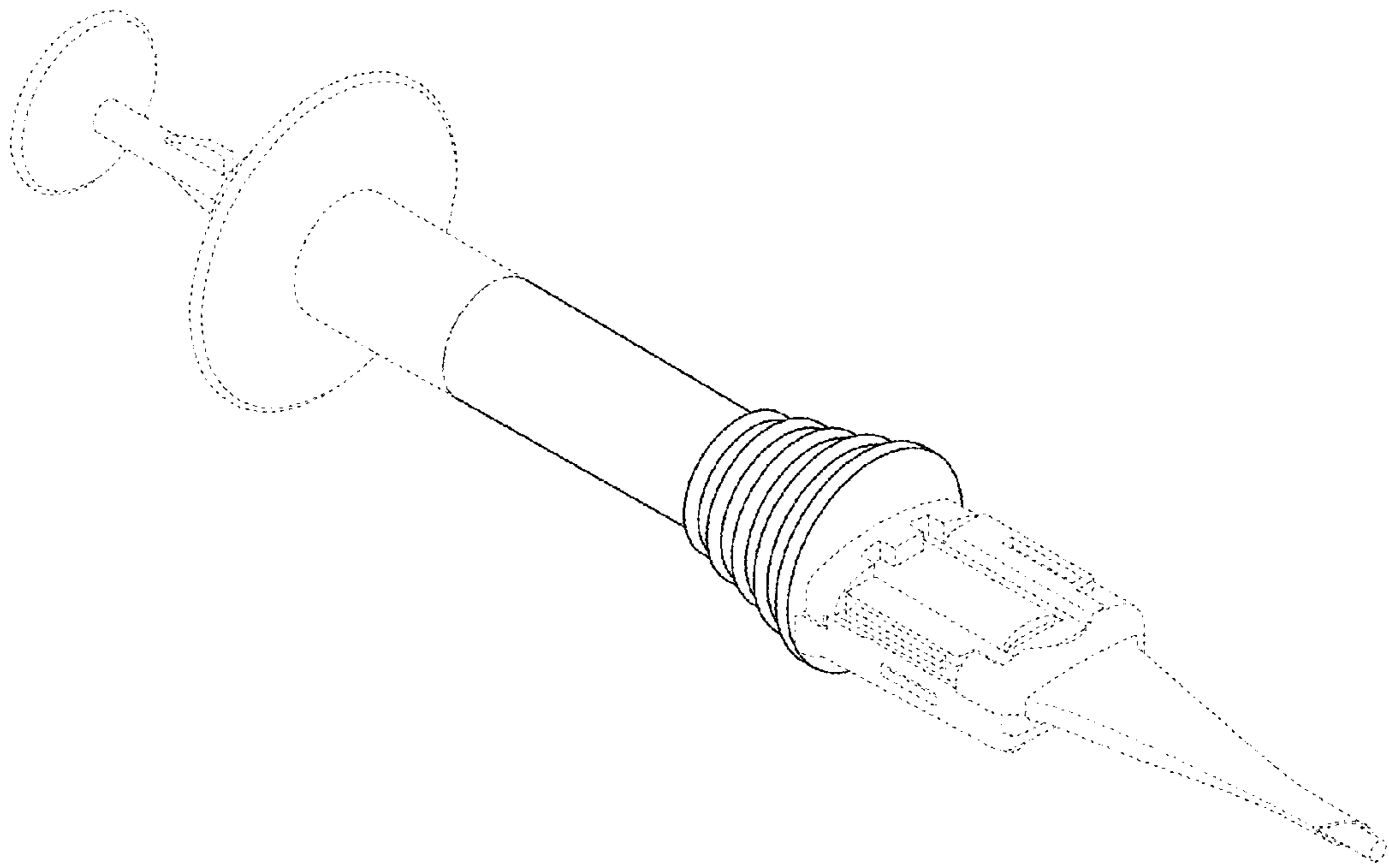


Fig. 8

