

US00D737428S

(12) **United States Design Patent**
Dionisio et al.

(10) **Patent No.:** **US D737,428 S**

(45) **Date of Patent:** **** *Aug. 25, 2015**

(54) **REGULATOR**

(71) Applicant: **AFRICAN OXYGEN LIMITED**,
Johannesburg, Gauteng (ZA)

(72) Inventors: **Roberto Maria Marcello Dionisio**,
Bruma (ZA); **Radoslav Jovanovic**,
Bryanston (ZA)

(73) Assignee: **African Oxygen Limited**, Johannesburg
(ZA)

(*) Notice: This patent is subject to a terminal dis-
claimer.

(**) Term: **14 Years**

(21) Appl. No.: **29/456,370**

(22) Filed: **May 30, 2013**

(30) **Foreign Application Priority Data**

Nov. 30, 2012 (ZA) A2012/02158
Nov. 30, 2012 (ZA) A2012/02160

(51) **LOC (10) Cl.** **29-02**

(52) **U.S. Cl.**
USPC **D24/110.6**

(58) **Field of Classification Search**
USPC D24/110, 110.6; D10/85; 128/202.27,
128/204.26, 205.11, 205.14, 205.24, 207.16
See application file for complete search history.

(56) **References Cited**

U.S. PATENT DOCUMENTS

3,547,143 A * 12/1970 Mills, Jr. 137/315.05
3,586,037 A * 6/1971 Zimmer 137/505.18
D224,106 S * 7/1972 Baranowski, Jr. D23/235
D305,814 S * 1/1990 Fangrow, Jr. D24/110.6
D409,745 S * 5/1999 Niemczyk D24/110.6
D428,114 S * 7/2000 Le Bars D23/233
D495,049 S * 8/2004 Austin D24/110.6

D657,864 S * 4/2012 Moody et al. D24/110.6
D674,469 S * 1/2013 Boyer D23/235
2004/0134541 A1 * 7/2004 Chen 137/557
2004/0168688 A1 * 9/2004 Peyron 128/205.24
2006/0086359 A1 * 4/2006 Austin 128/204.26
2009/0188571 A1 * 7/2009 Basler 137/505

FOREIGN PATENT DOCUMENTS

EM 002140962-0001 * 11/2012
EM 002140962-0002 * 11/2012

(Continued)

Primary Examiner — Deanna L Pratt

Assistant Examiner — Lilyana Bekic

(74) *Attorney, Agent, or Firm* — Viksnins Harris & Padys
PLLP

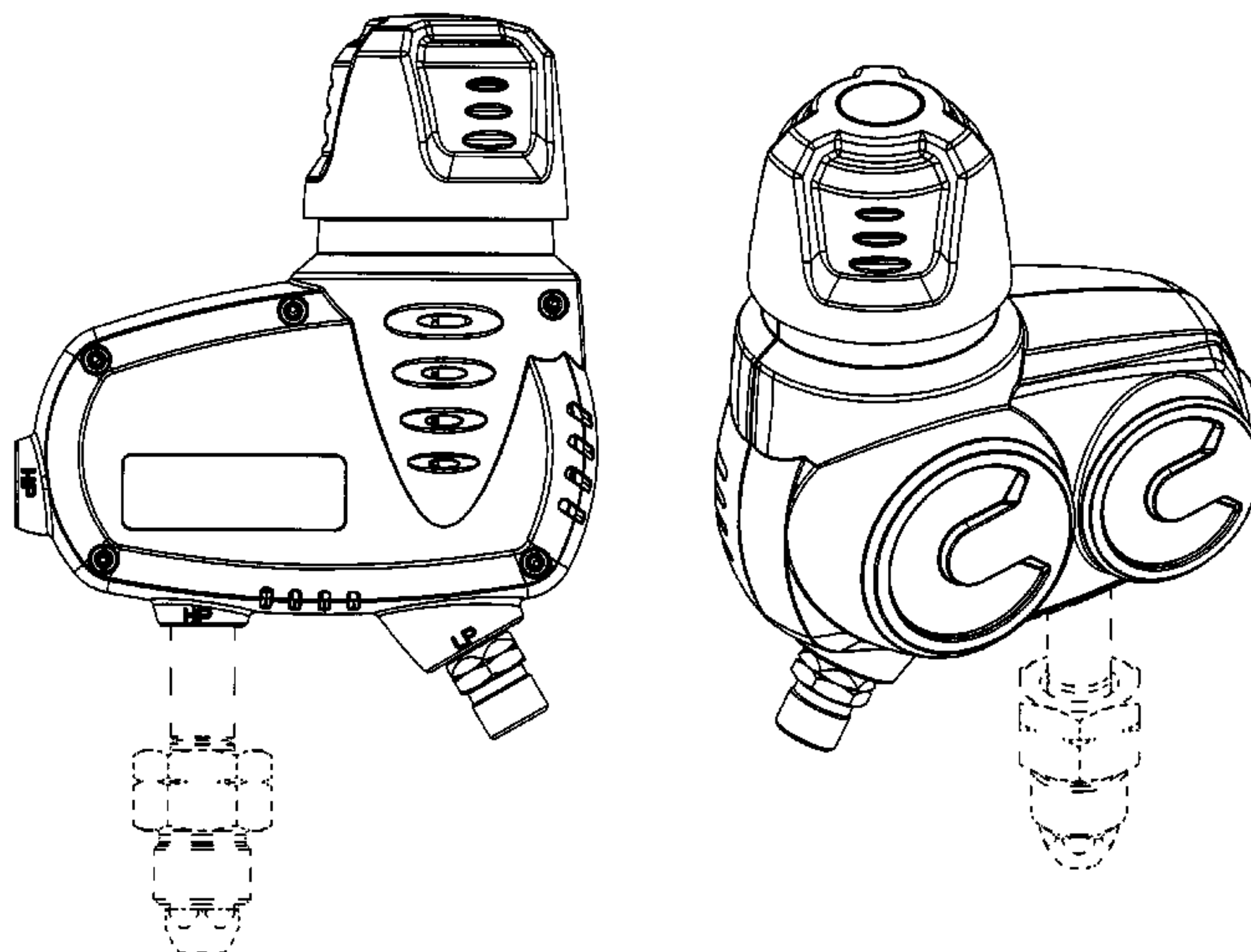
(57) **CLAIM**

What is claimed is the original and ornamental design for a
regulator, as shown and described.

DESCRIPTION

FIG. 1 is a front view of a regulator.
FIG. 2 is a first side view of the regulator.
FIG. 3 is a rear view of the regulator.
FIG. 4 is a second side view of the regulator.
FIG. 5 is a top view of the regulator.
FIG. 6 is a bottom view of the regulator.
FIG. 7 is a first perspective view of the regulator.
FIG. 8 is a second perspective view of the regulator.
FIG. 9 is a third perspective view of the regulator.
FIG. 10 is a front view of the regulator.
FIG. 11 is a first side view of the regulator.
FIG. 12 is a rear view of the regulator.
FIG. 13 is a second side view of the regulator.
FIG. 14 is a top view of the regulator.
FIG. 15 is a bottom view of the regulator.
FIG. 16 is a first perspective view of the regulator.
FIG. 17 is a second perspective view of the regulator; and,
FIG. 18 is a third perspective view of the regulator.
The broken lines in the drawings illustrate the unclaimed
environment of the regulator and form no part of the claimed
design.

1 Claim, 18 Drawing Sheets



(56)

References Cited

EM 002246314-0002 * 11/2012
EM 002246314-0003 * 11/2012
EM 002246314-0004 * 11/2012

FOREIGN PATENT DOCUMENTS

EM 002140962-0003 * 11/2012
EM 002246314-0001 * 11/2012

* cited by examiner

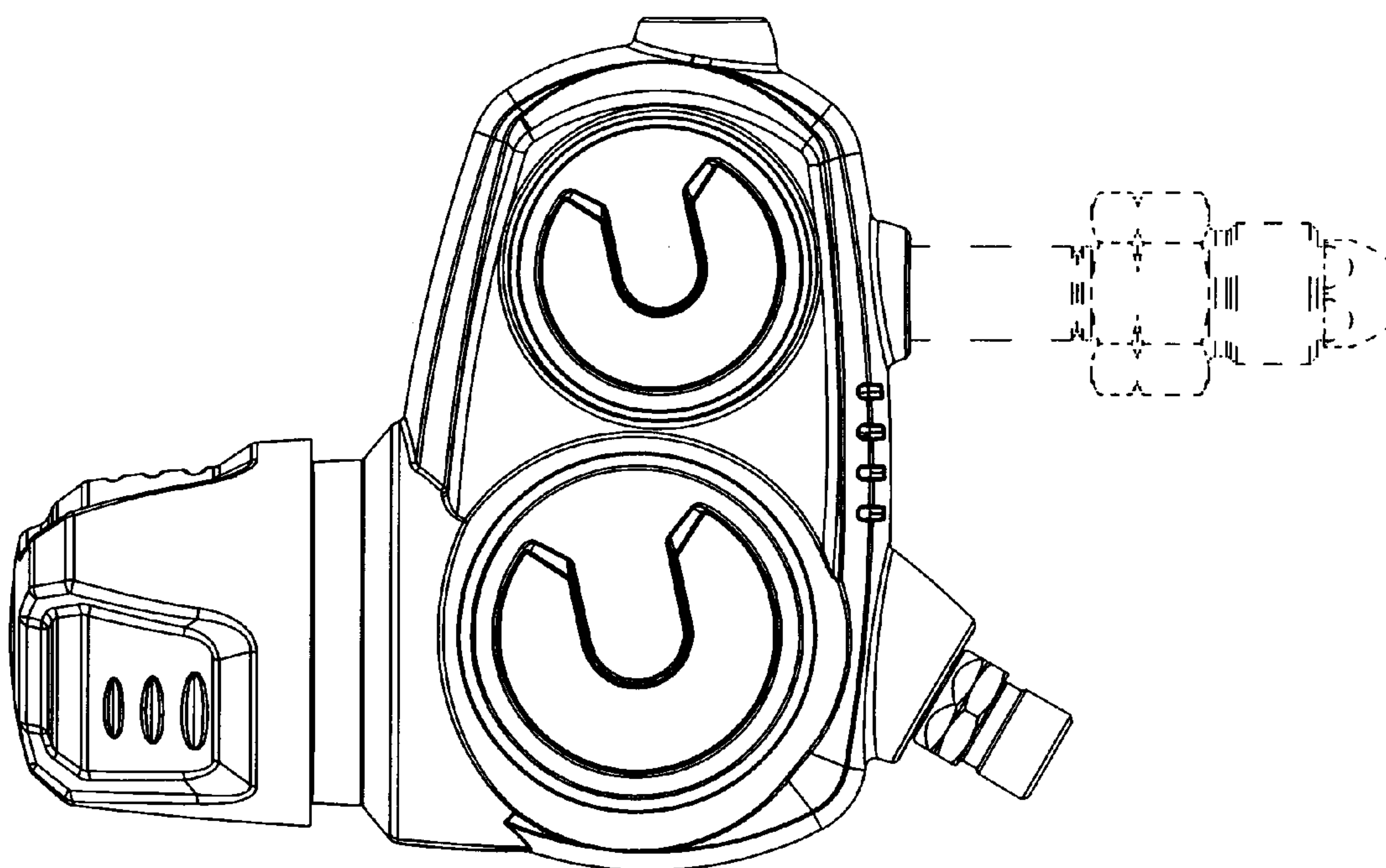


FIG. 1

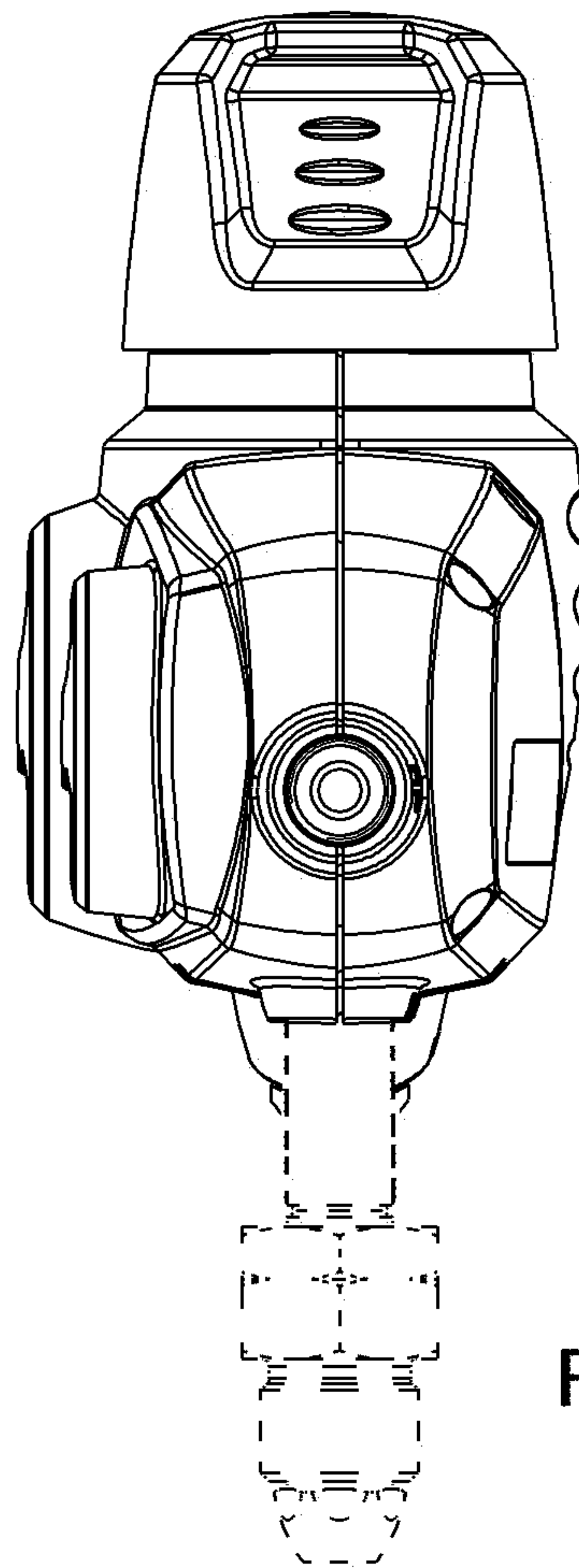


FIG 2

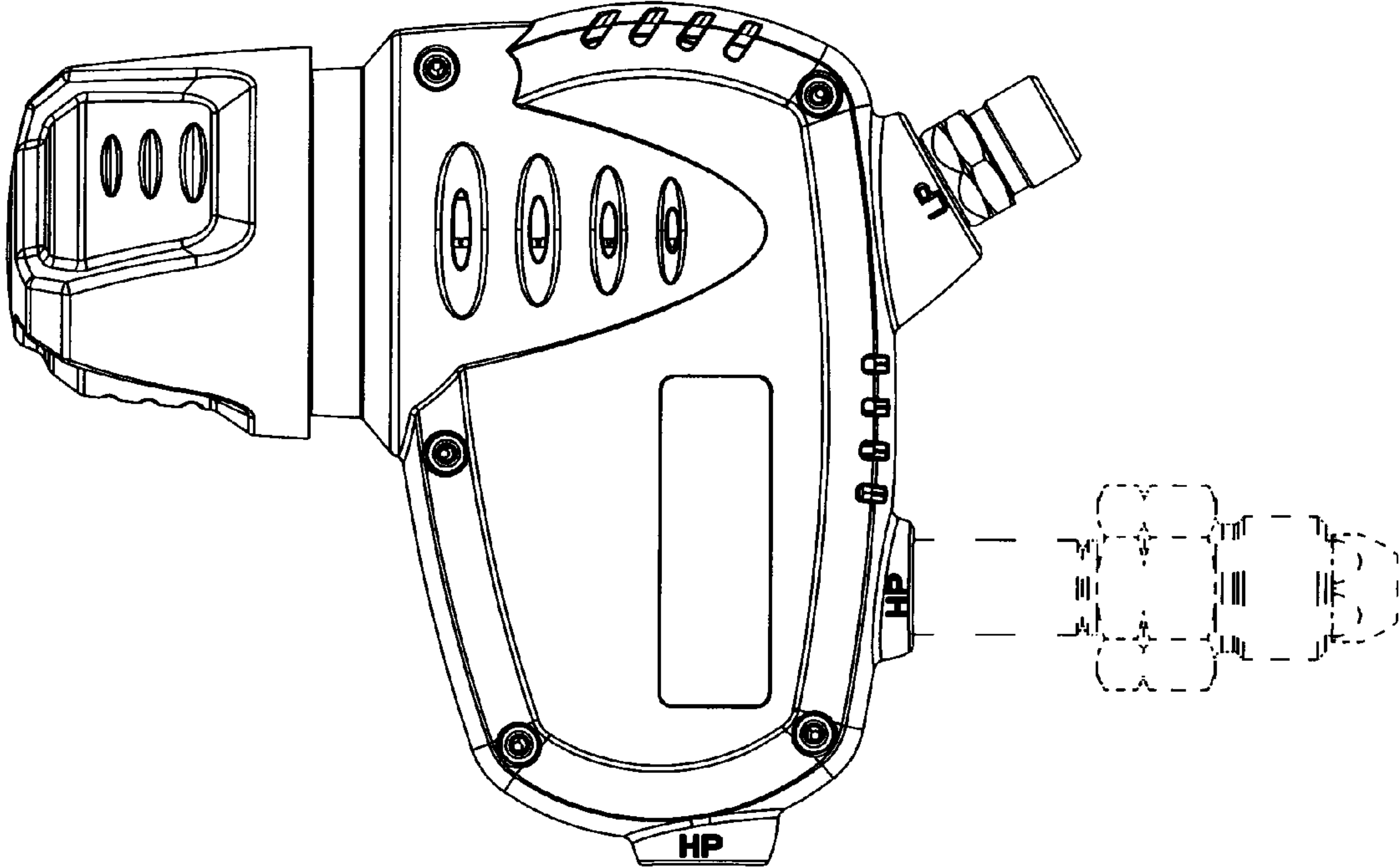


FIG. 3

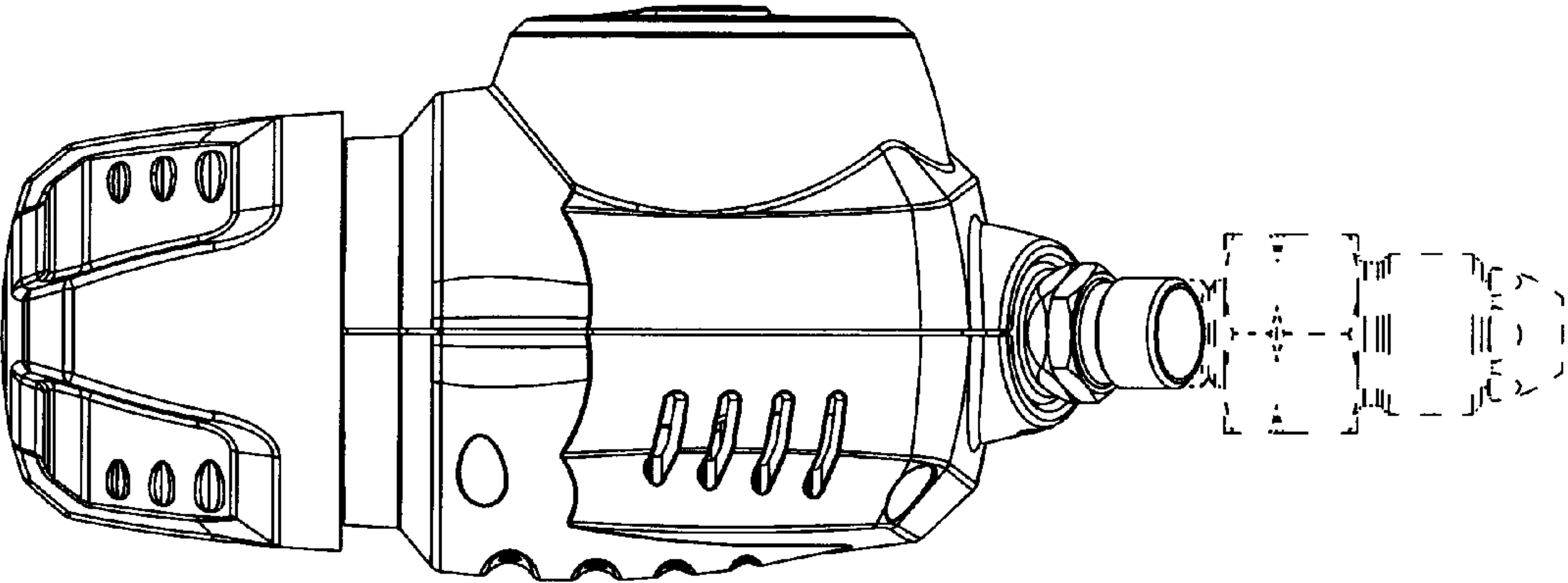


FIG. 4

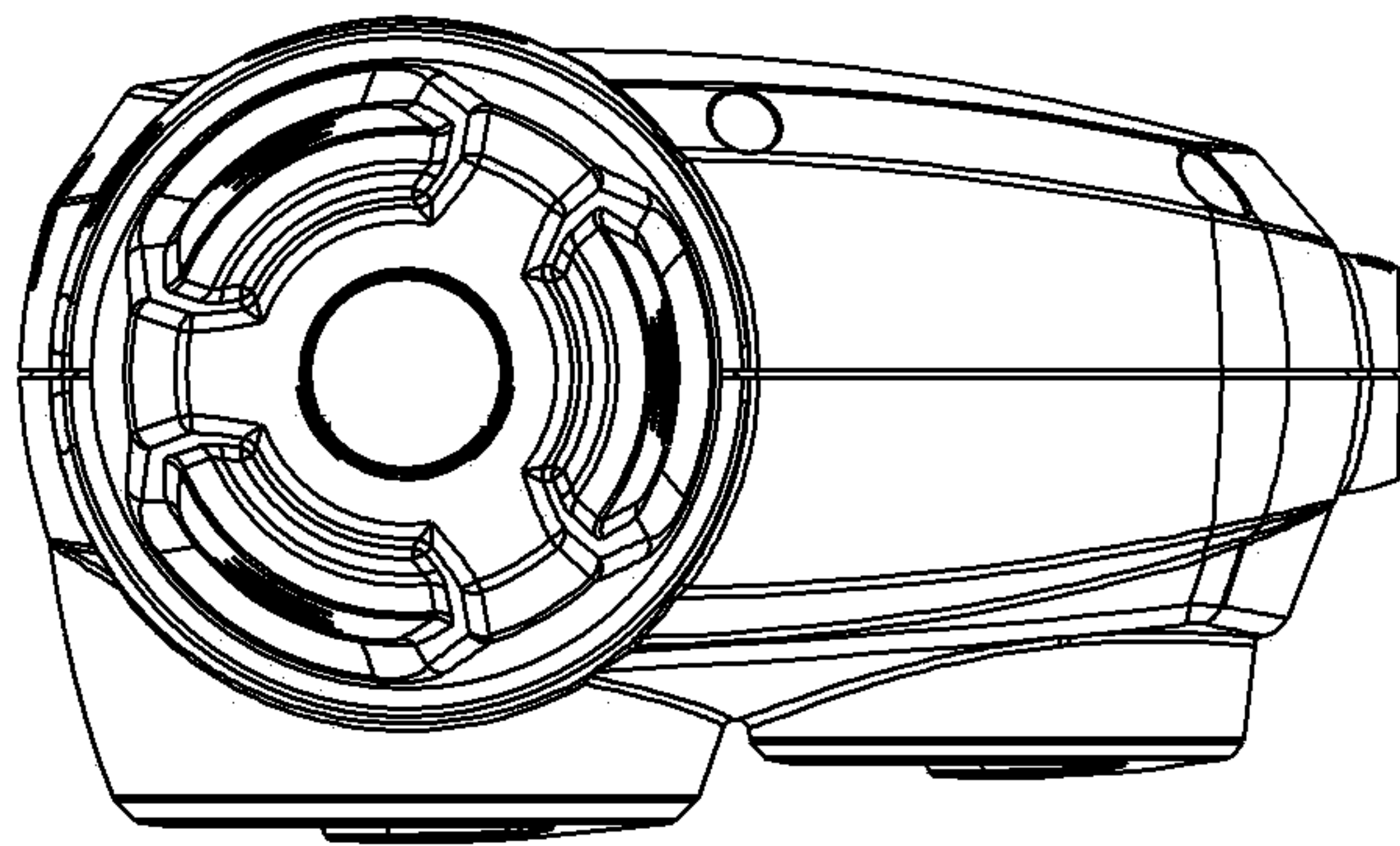


FIG 5

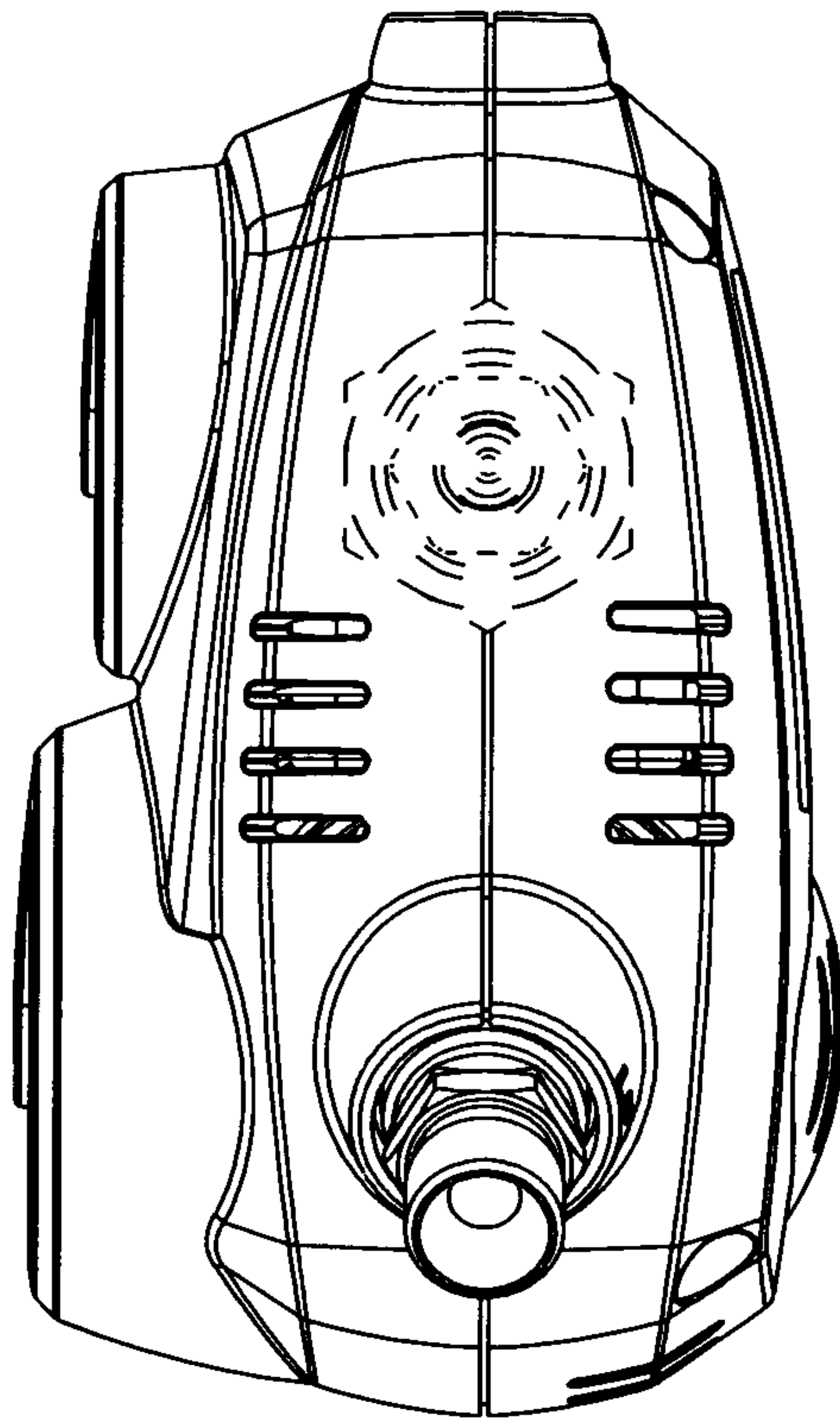


FIG. 6

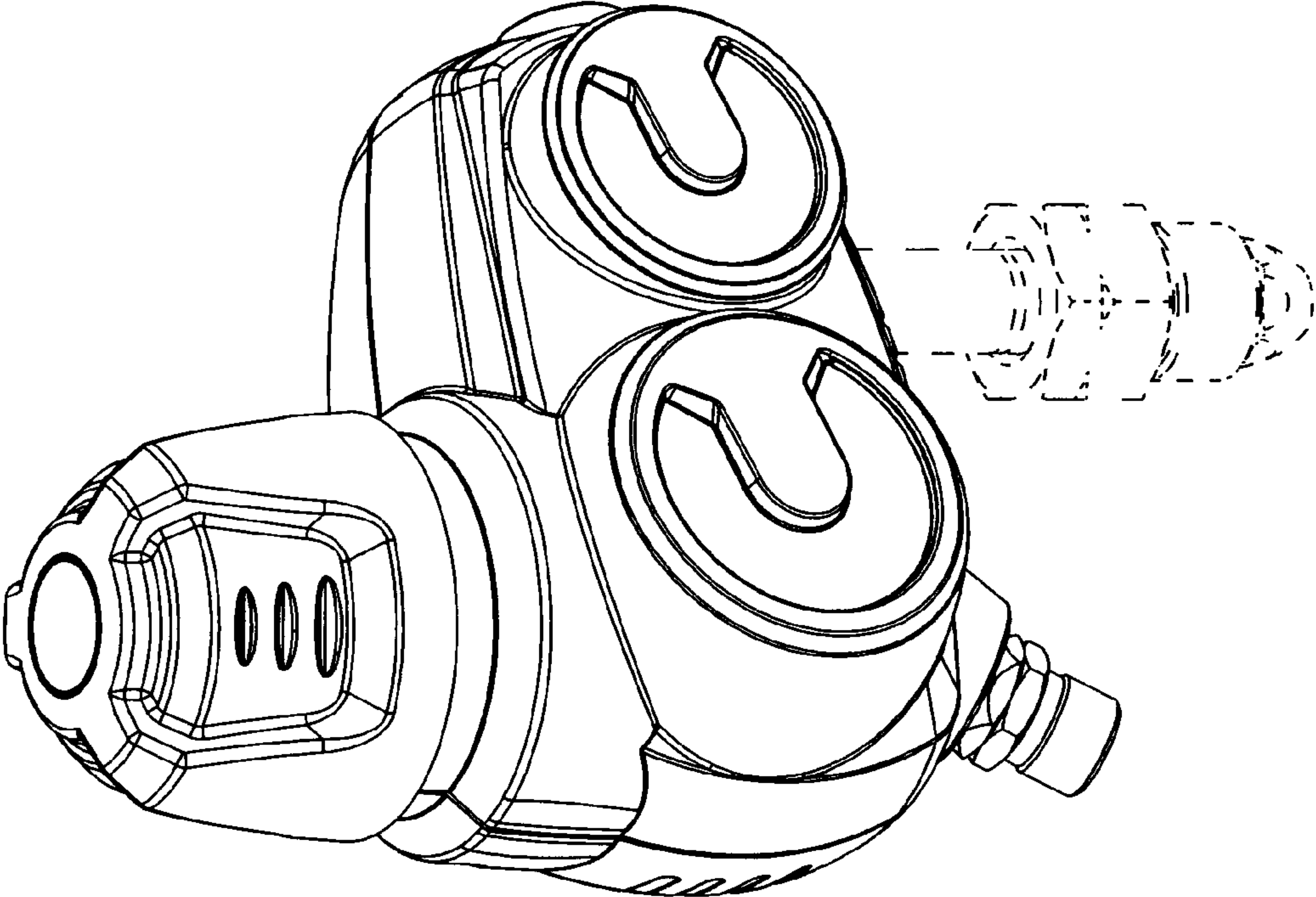


FIG. 7

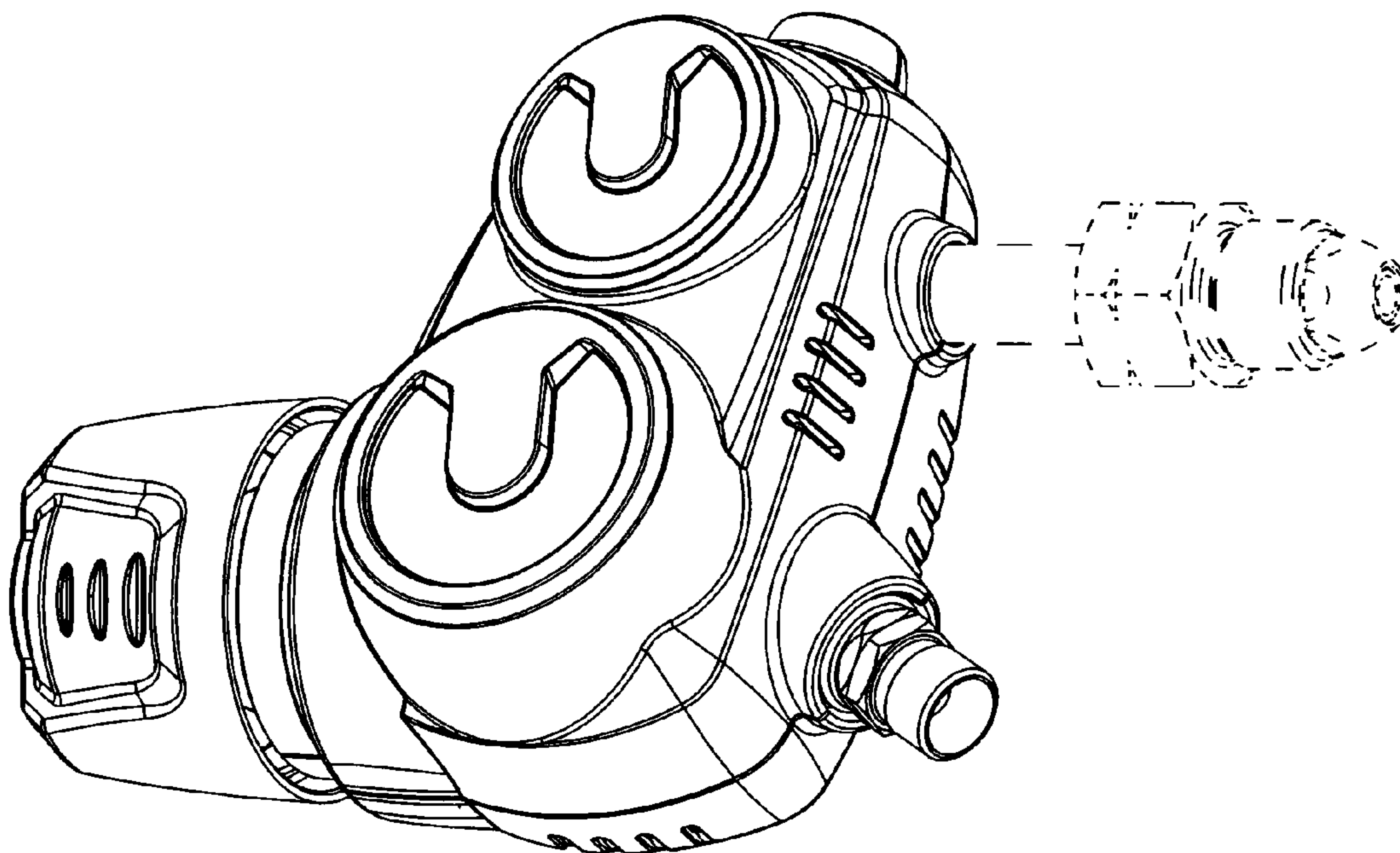


FIG. 8

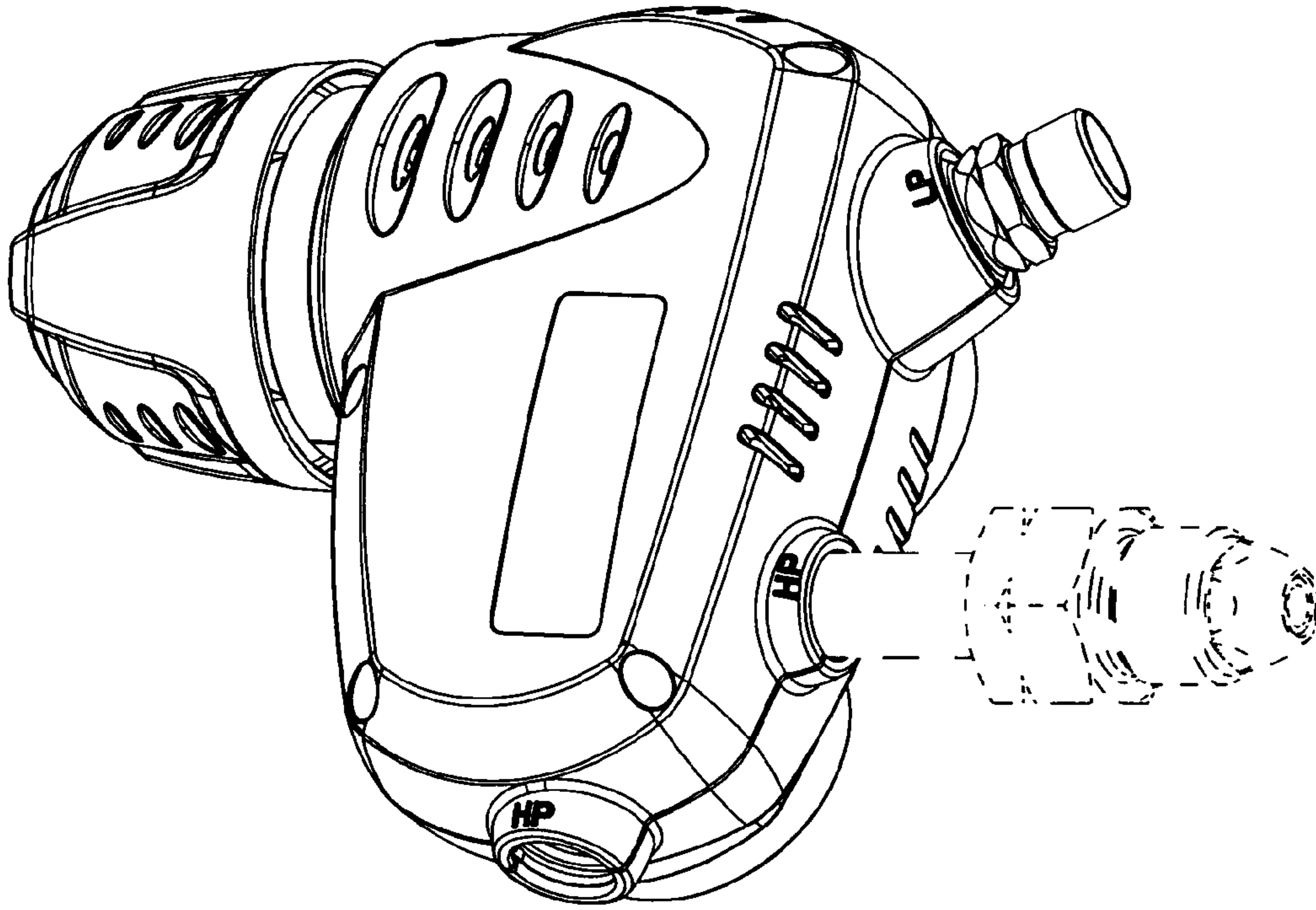


FIG. 9

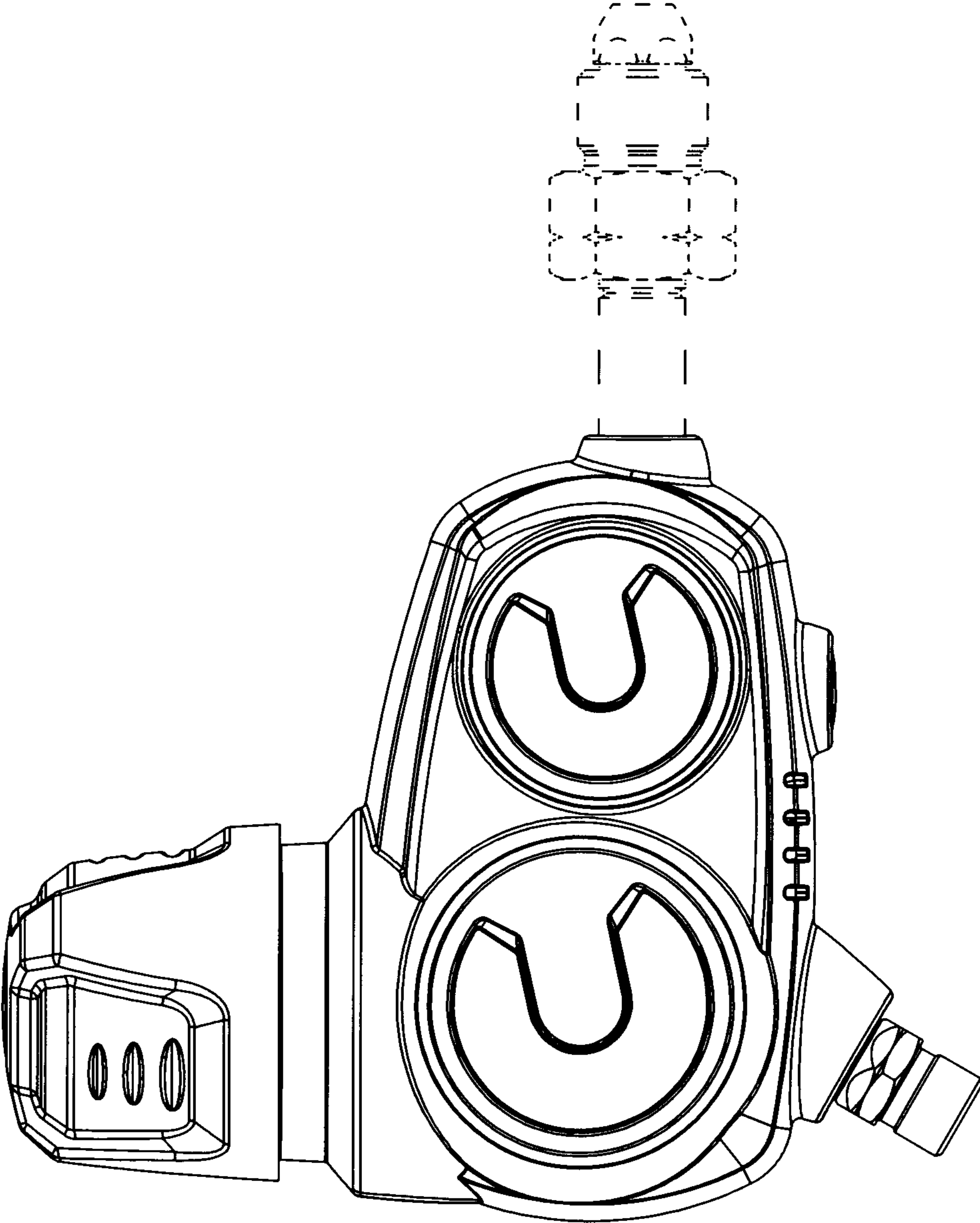


FIG. 10

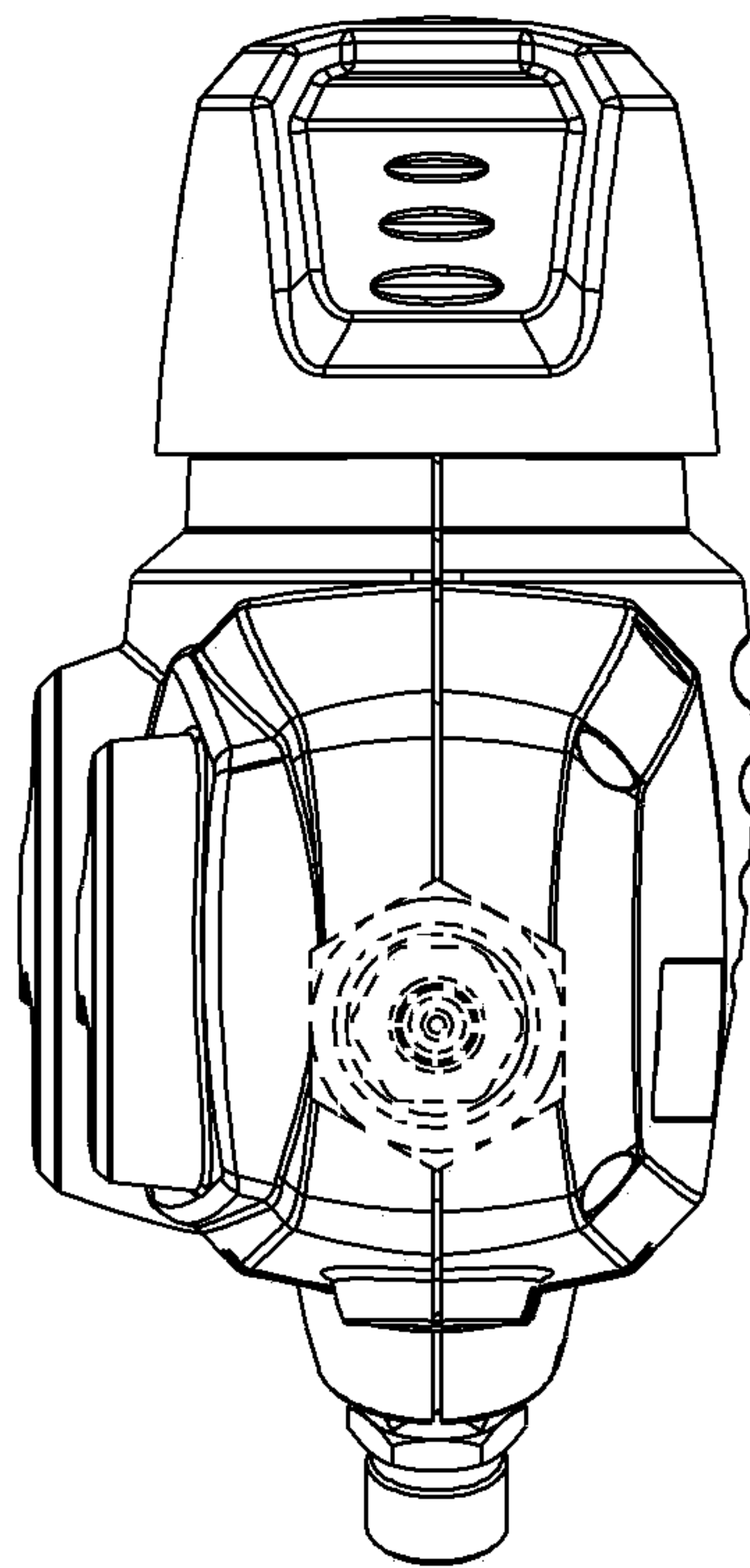


FIG 11

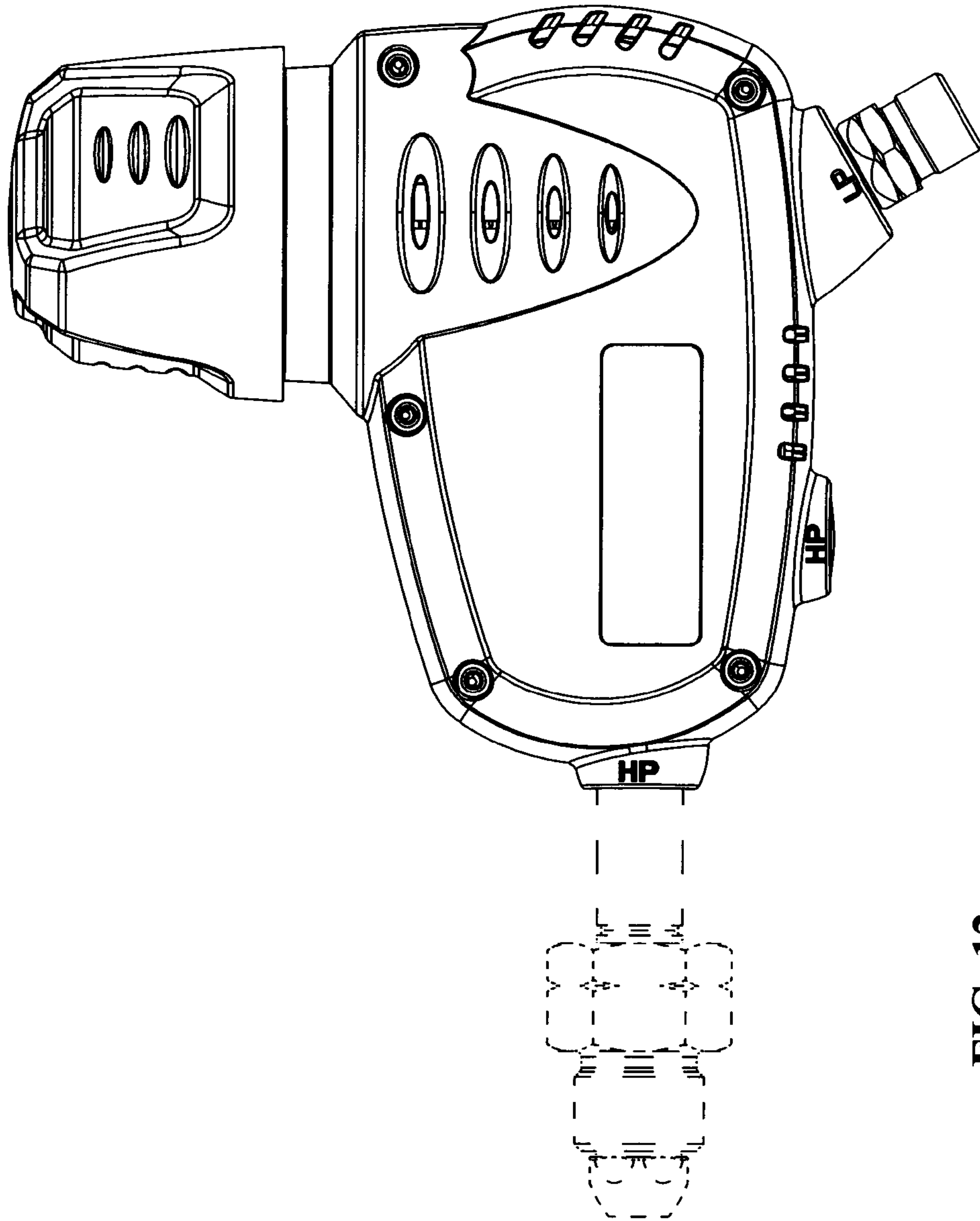


FIG. 12

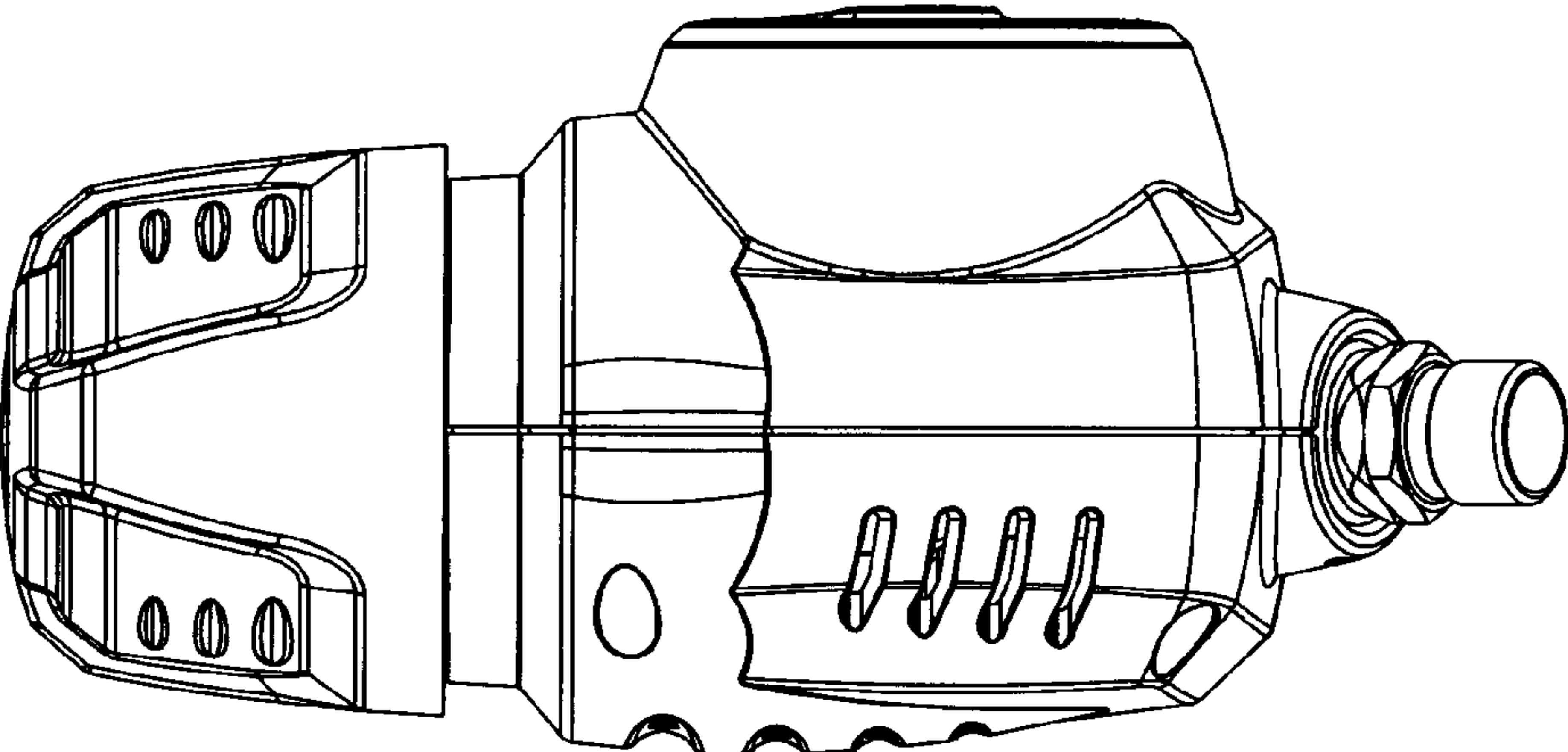


FIG. 13

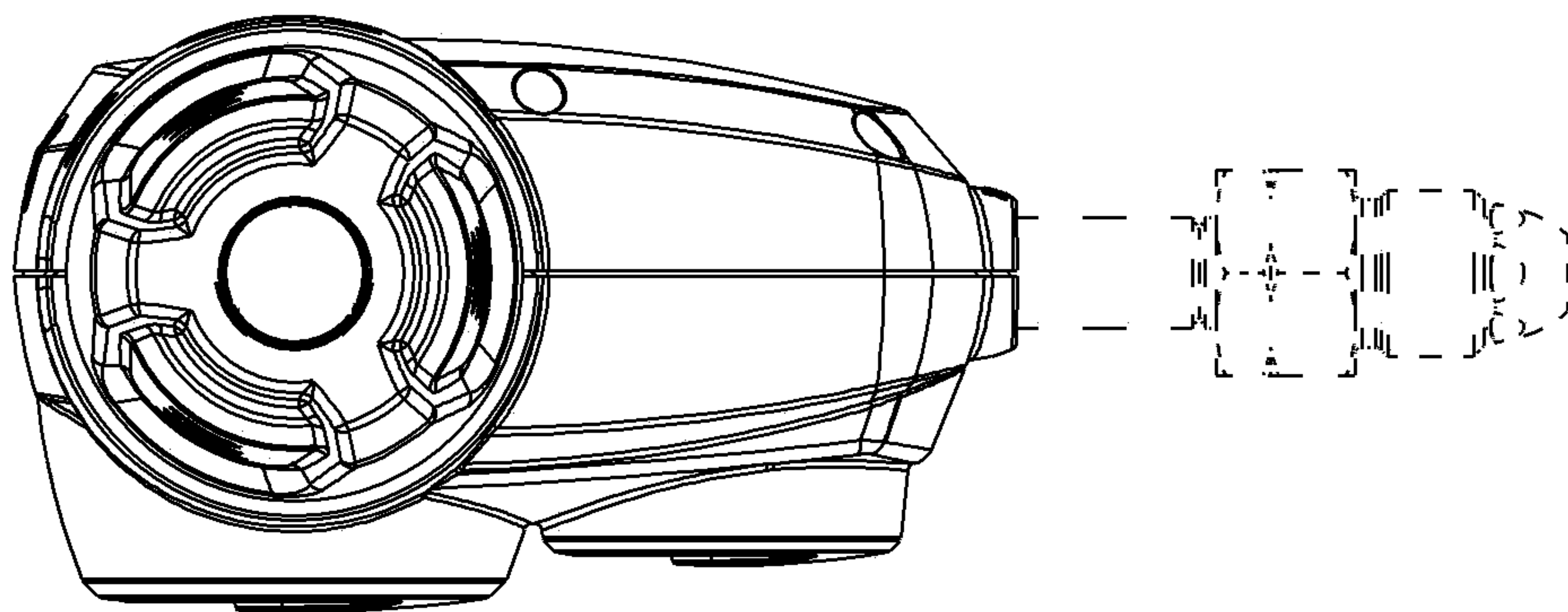


FIG 14

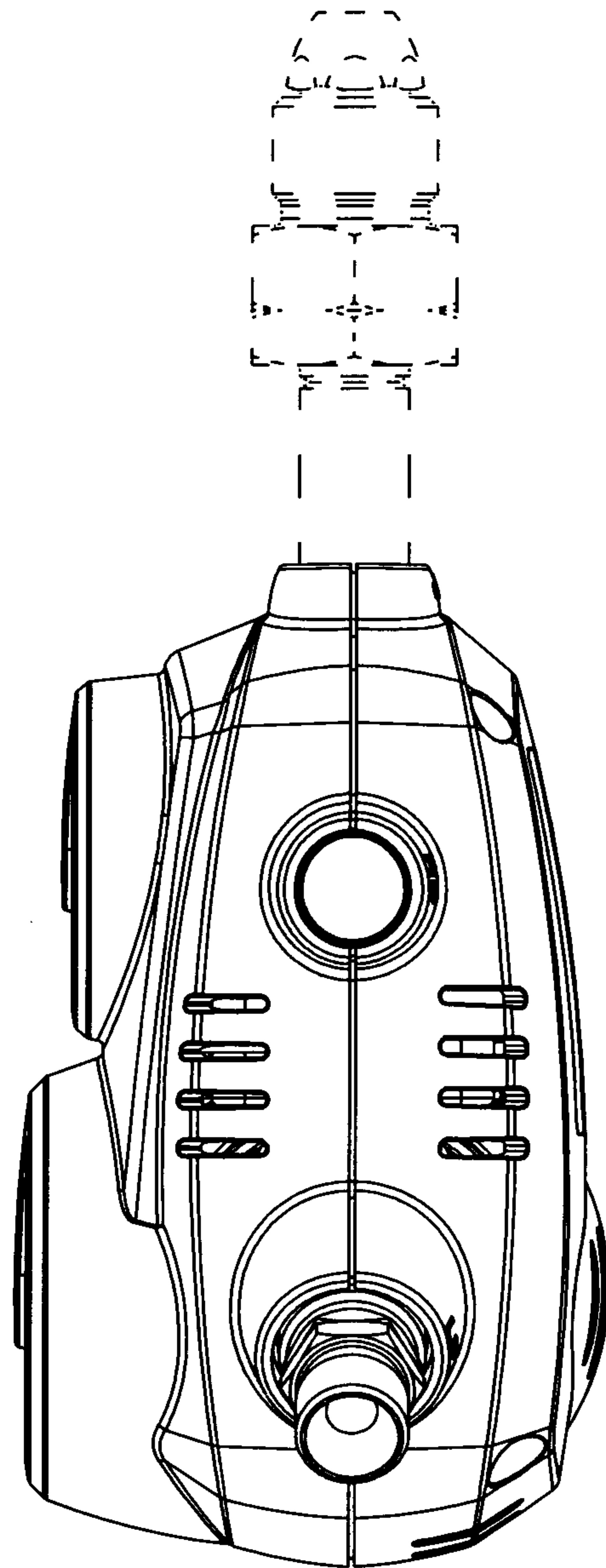


FIG. 15

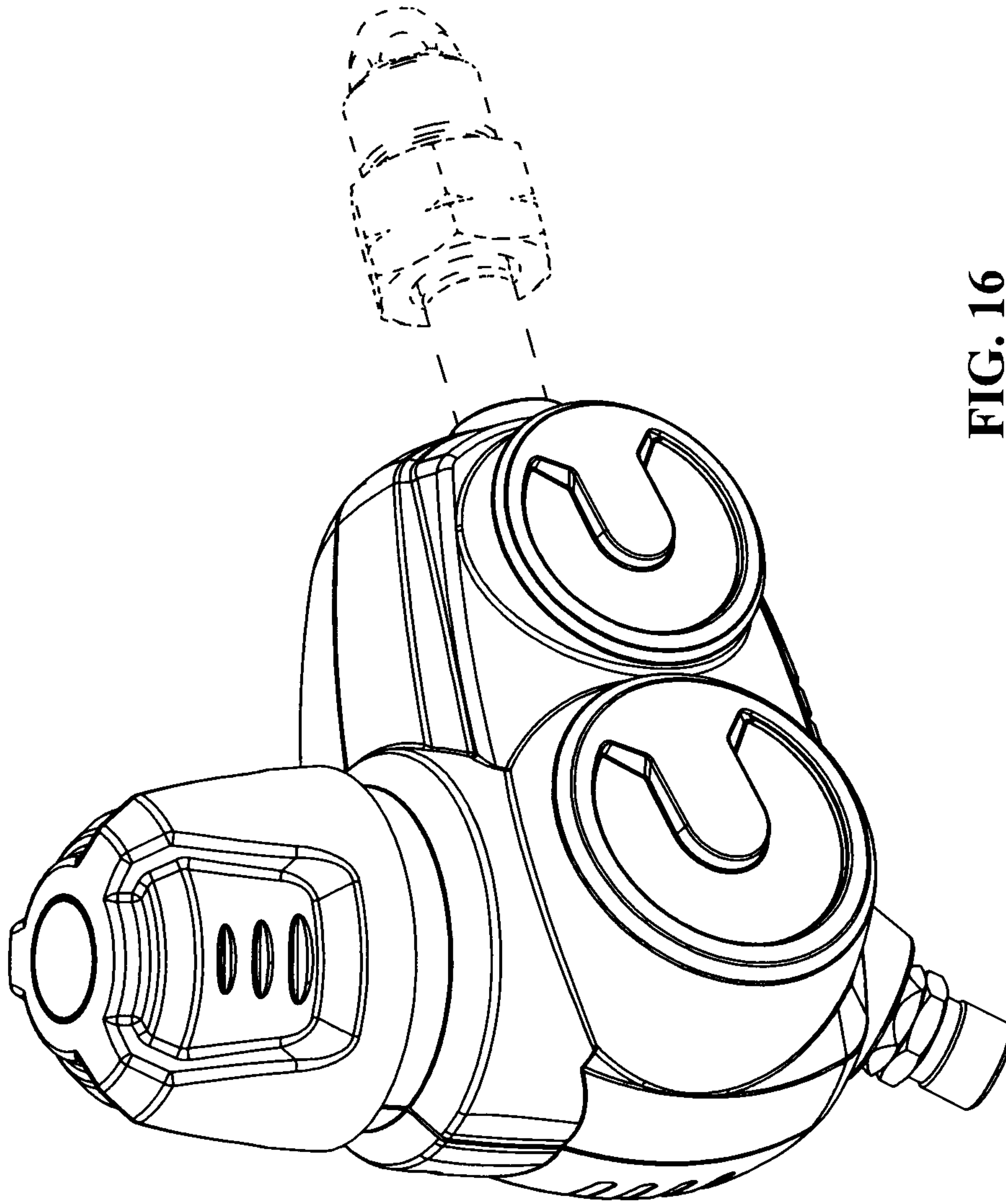


FIG. 16

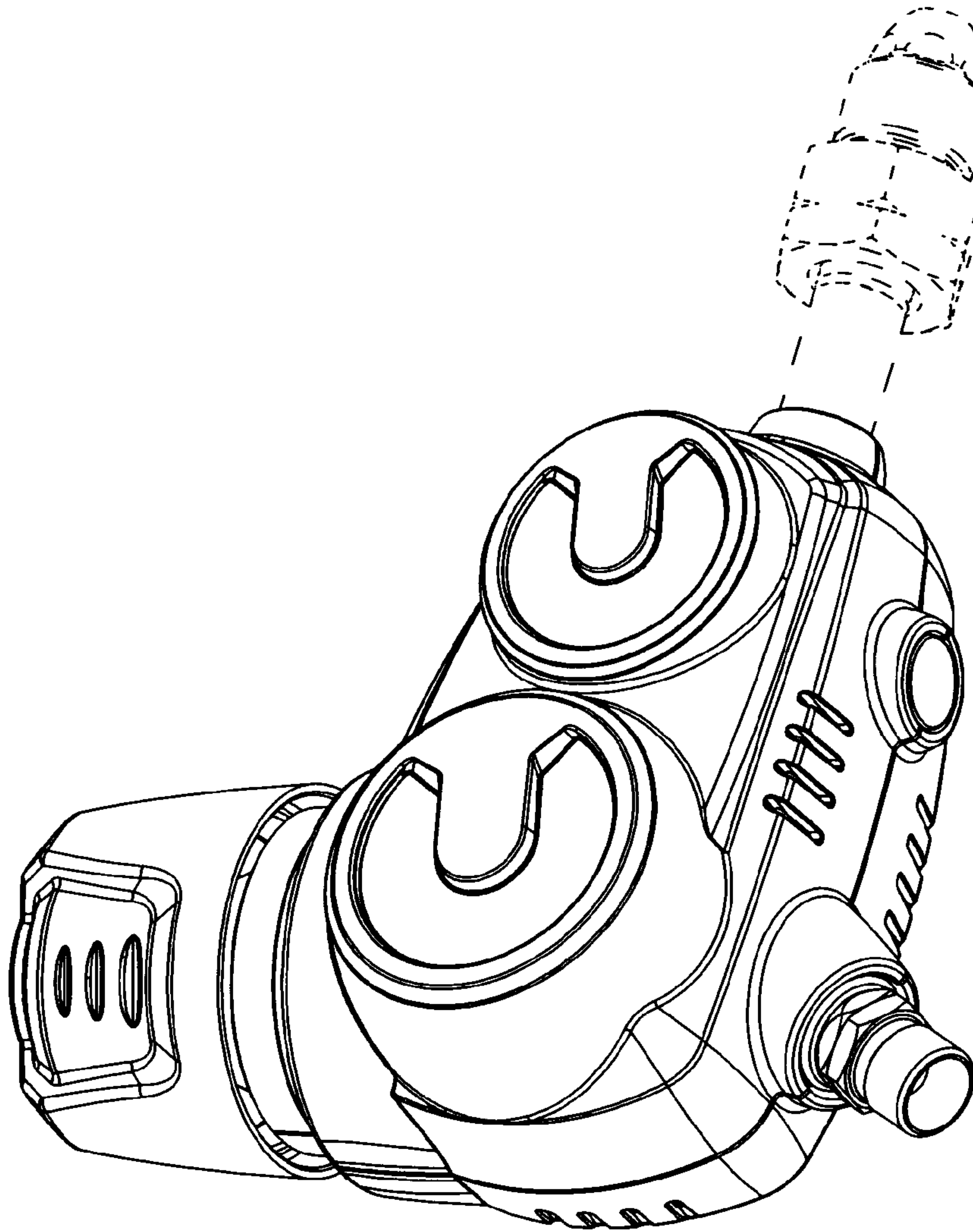


FIG. 17

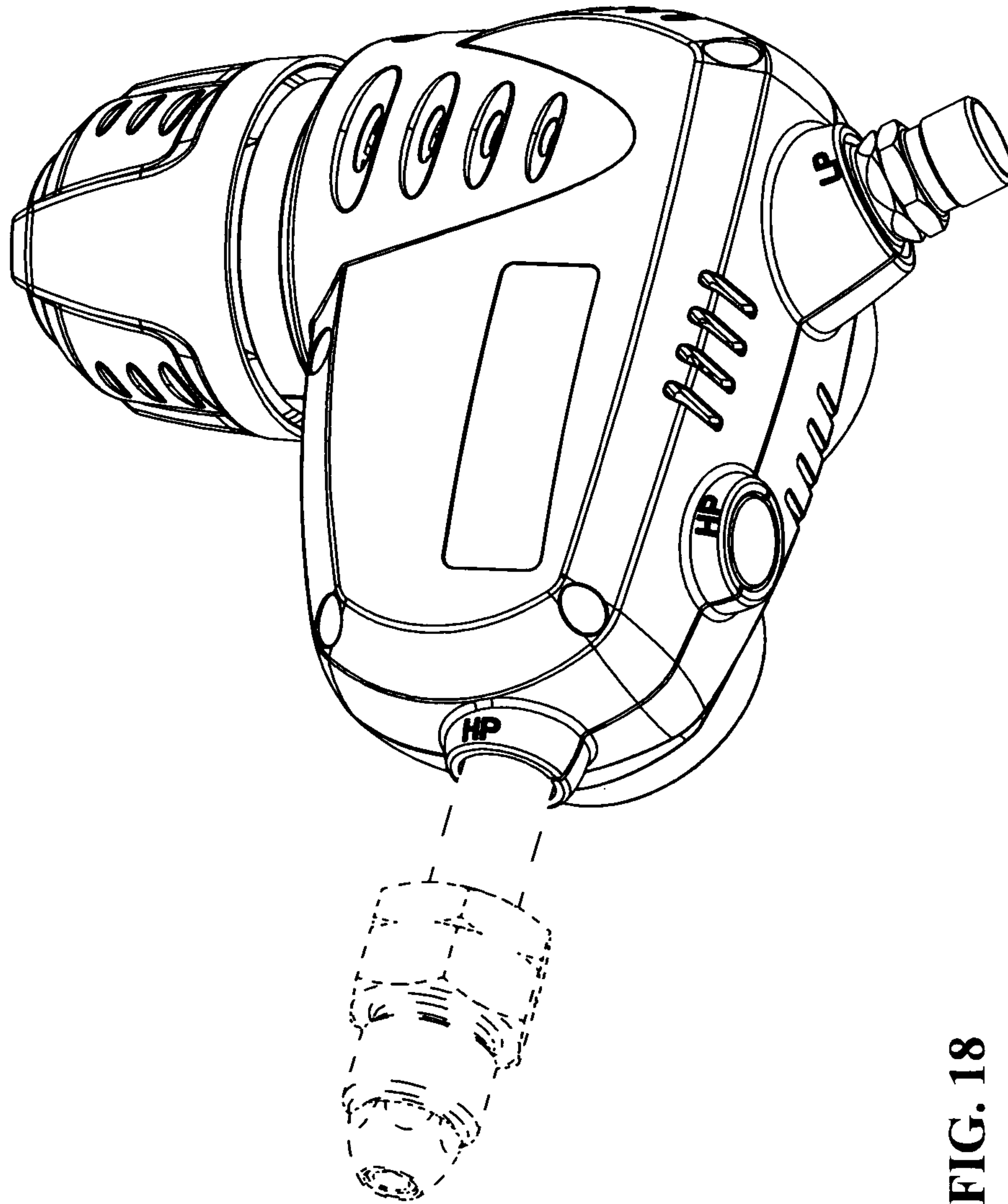


FIG. 18