



US00D737427S

(12) **United States Design Patent**  
**Dionisio et al.**

(10) **Patent No.:** **US D737,427 S**

(45) **Date of Patent:** **\*\* Aug. 25, 2015**

(54) **REGULATOR**

2004/0168688 A1\* 9/2004 Peyron ..... 128/205.24  
2006/0086359 A1\* 4/2006 Austin ..... 128/204.26  
2009/0188571 A1\* 7/2009 Basler ..... 137/505

(71) Applicant: **AFRICAN OXYGEN LIMITED,**  
Johannesburg (ZA)

FOREIGN PATENT DOCUMENTS

(72) Inventors: **Roberto Maria Marcello Dionisio,**  
Bruma (ZA); **Radoslav Jovanovic,**  
Bryanston (ZA)

EM 002140962-0001 \* 11/2012  
EM 002140962-0002 \* 11/2012  
EM 002140962-0003 \* 11/2012  
EM 002246314-0001 \* 5/2013  
EM 002246314-0002 \* 5/2013  
EM 002246314-0003 \* 5/2013  
EM 002246314-0004 \* 5/2013

(73) Assignee: **African Oxygen Limited,** Johannesburg  
(ZA)

\* cited by examiner

(\*\*) Term: **14 Years**

*Primary Examiner* — Deanna L Pratt

(21) Appl. No.: **29/438,307**

*Assistant Examiner* — Lilyana Bekic

(22) Filed: **Nov. 28, 2012**

(74) *Attorney, Agent, or Firm* — Viksnins Harris & Padys  
PLLP

(51) **LOC (10) CI.** ..... **29-02**

(52) **U.S. CI.**  
USPC ..... **D24/110.6**

(57) **CLAIM**

What is claimed is the original and ornamental design for a regulator, as shown and described.

(58) **Field of Classification Search**  
USPC ..... D24/110, 110.6; D10/85; 128/202.27,  
128/204.26, 205.11, 205.14, 205.24, 207.16  
See application file for complete search history.

**DESCRIPTION**

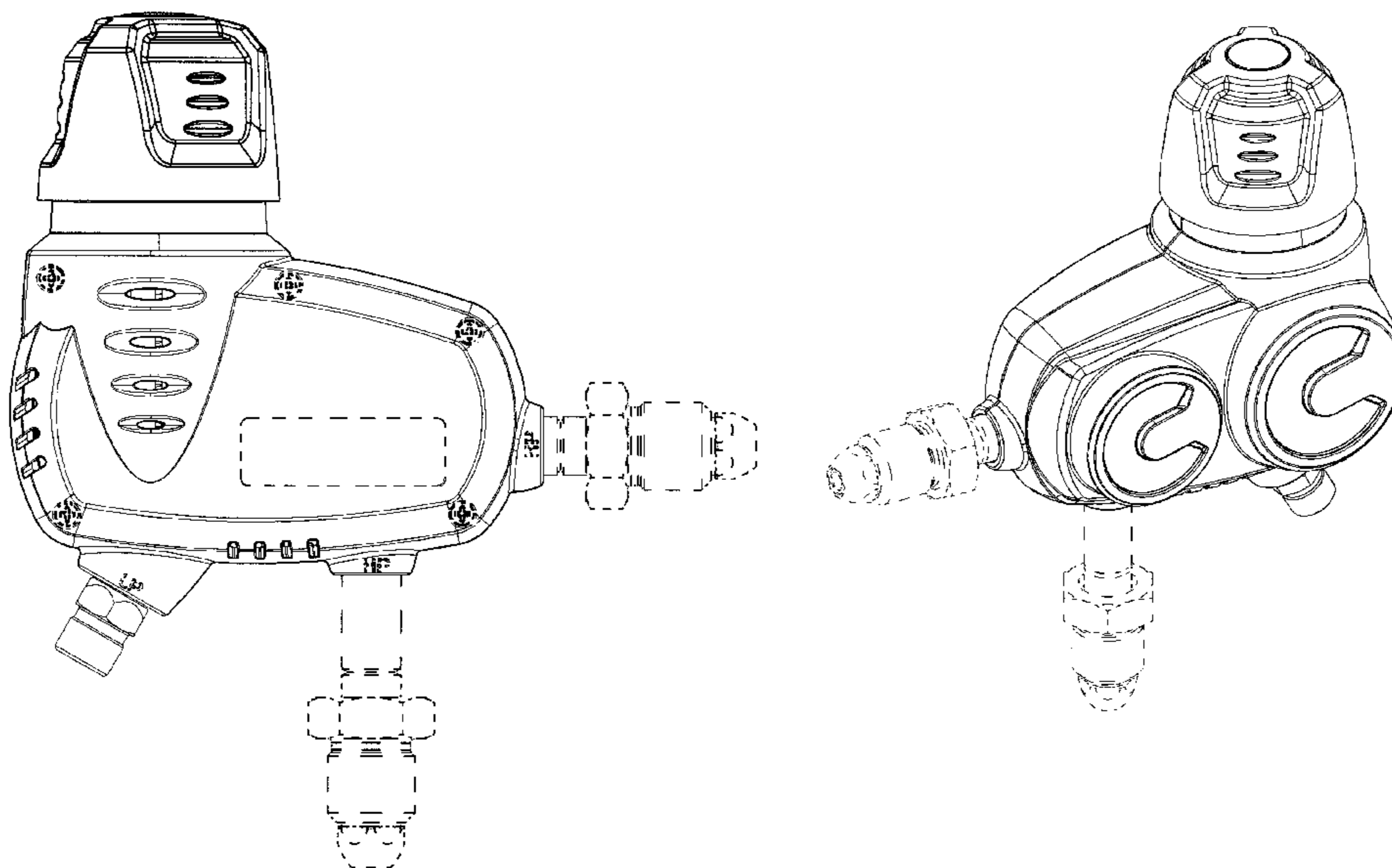
(56) **References Cited**

U.S. PATENT DOCUMENTS

3,547,143 A \* 12/1970 Mills, Jr. .... 137/315.05  
3,586,037 A \* 6/1971 Zimmer ..... 137/505.18  
D224,106 S \* 7/1972 Baranowski, Jr. .... D23/235  
D305,814 S \* 1/1990 Fangrow, Jr. .... D24/110.6  
D409,745 S \* 5/1999 Niemczyk ..... D24/110.6  
D428,114 S \* 7/2000 Le Bars ..... D23/233  
D495,049 S \* 8/2004 Austin ..... D24/110.6  
D657,864 S \* 4/2012 Moody et al. .... D24/110.6  
D674,469 S \* 1/2013 Boyer ..... D23/235  
2004/0134541 A1\* 7/2004 Chen ..... 137/557

FIG. 1 is a front view of a regulator.  
FIG. 2 is a first side view of the regulator.  
FIG. 3 is a rear view of the regulator.  
FIG. 4 is a second side view of the regulator.  
FIG. 5 is a top view of the regulator.  
FIG. 6 is a bottom view of the regulator.  
FIG. 7 is a first perspective view of the regulator.  
FIG. 8 is a second perspective view of the regulator; and,  
FIG. 9 is a third perspective view of the regulator.  
The broken lines in the drawings illustrate the unclaimed environment of the regulator and form no part of the claimed design.

**1 Claim, 9 Drawing Sheets**



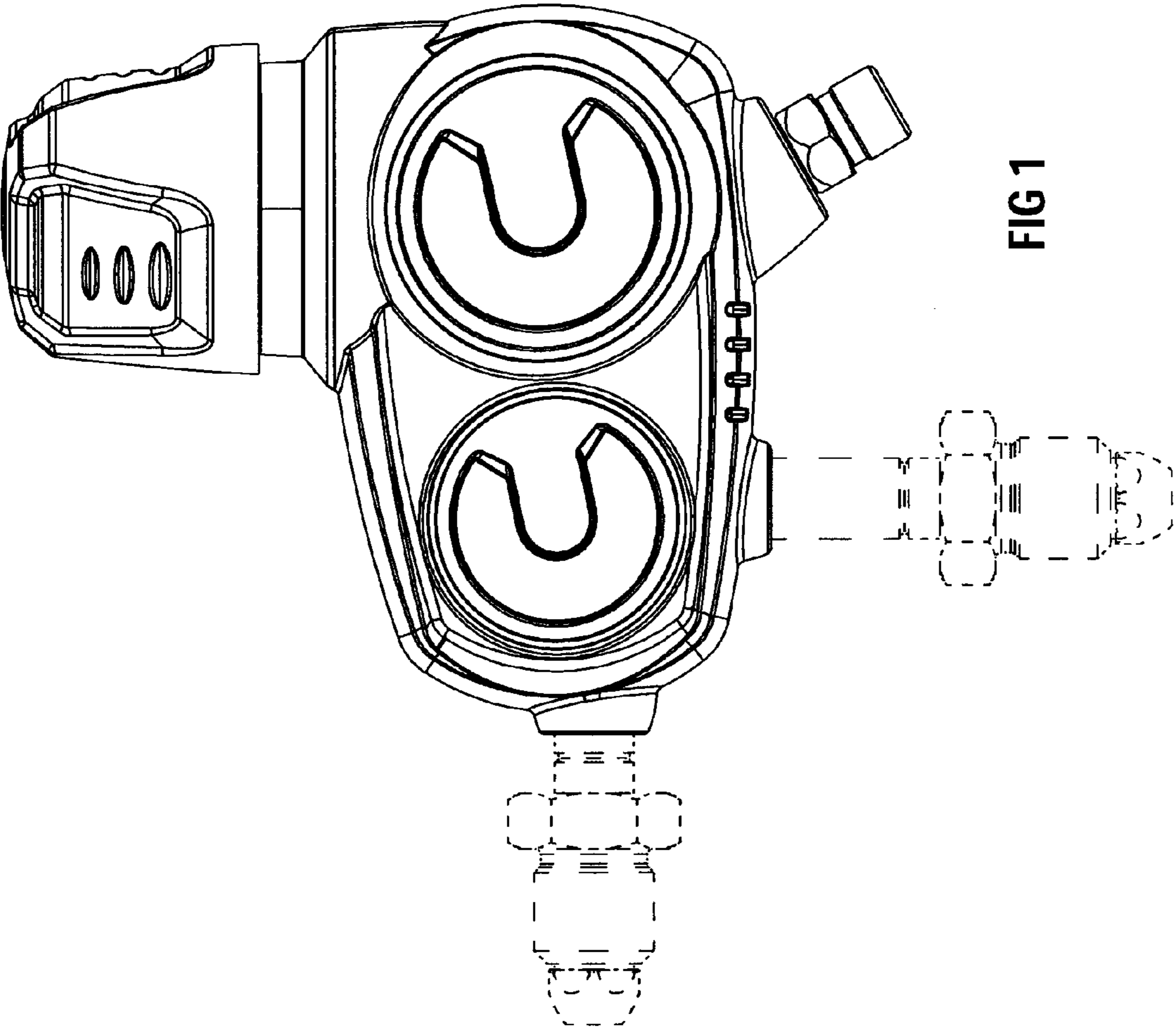


FIG 1

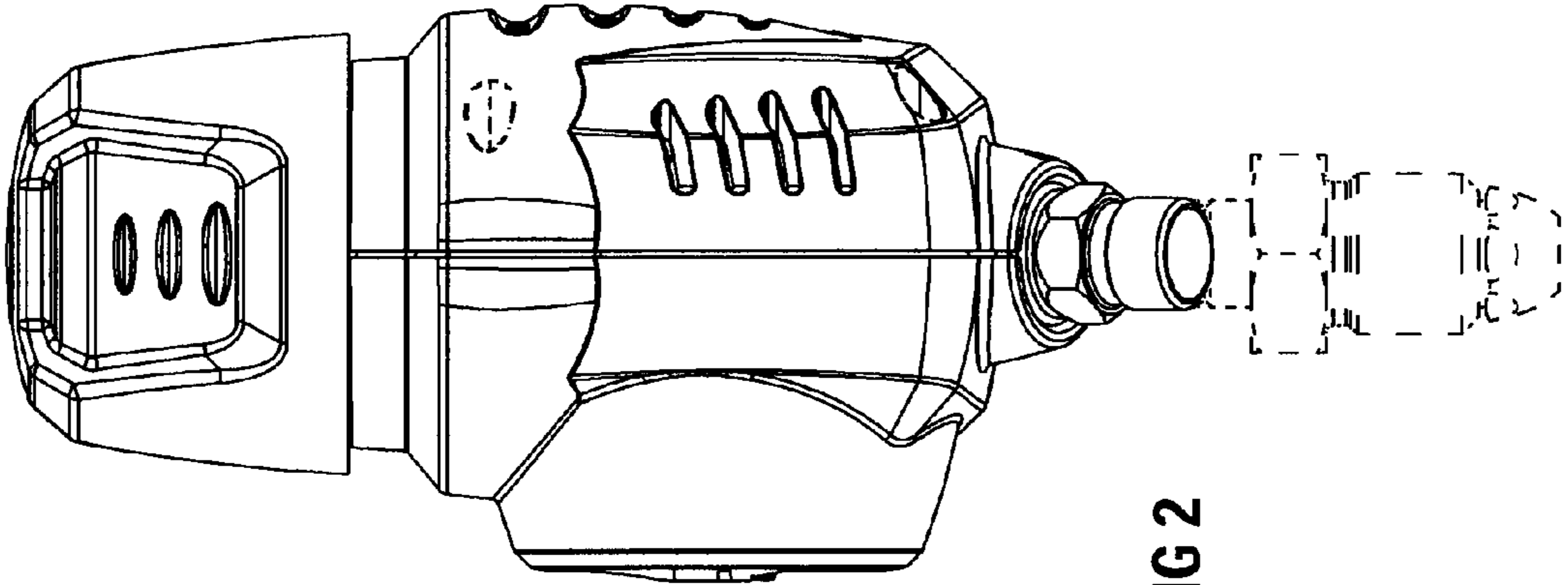


FIG 2

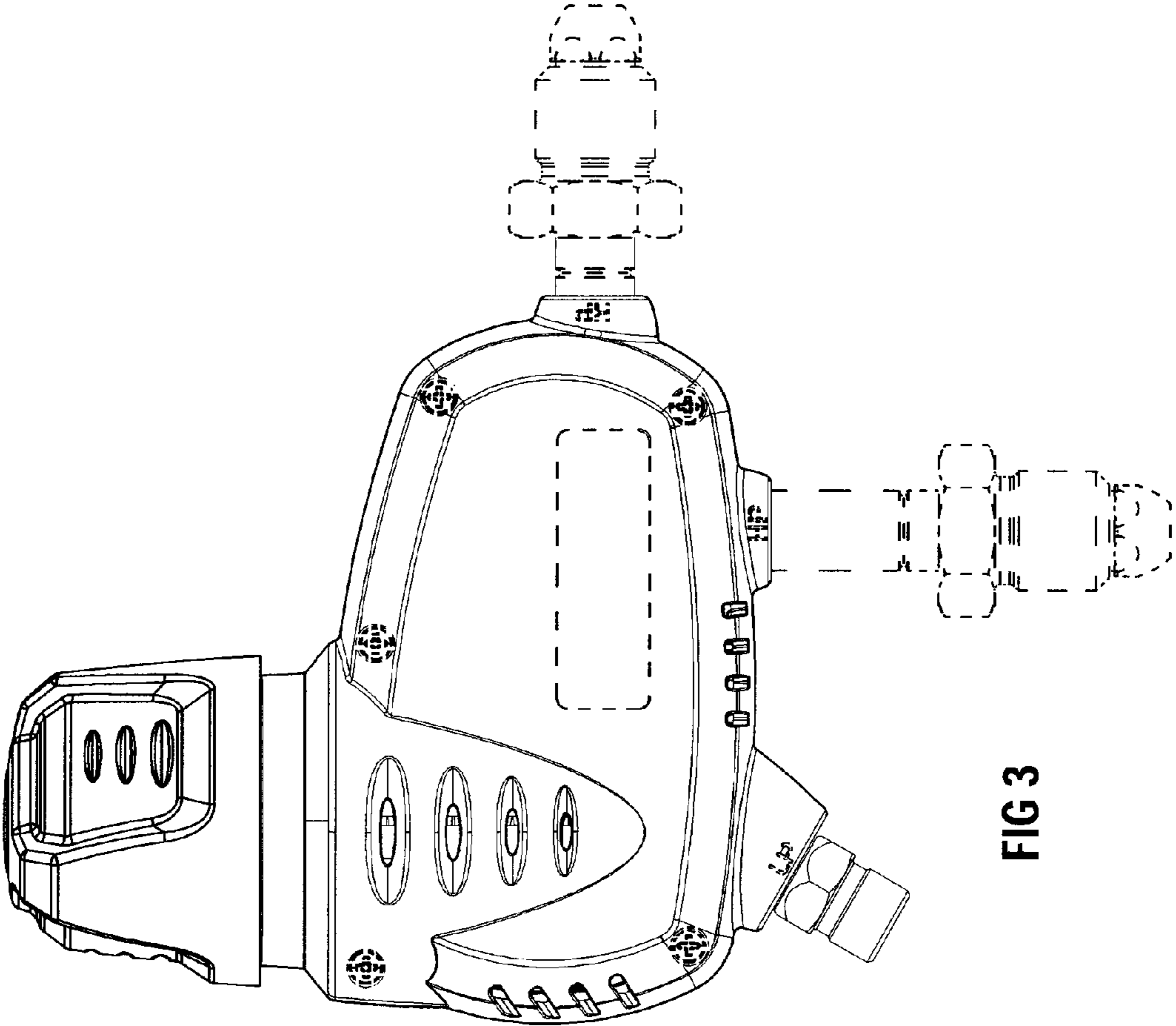


FIG 3

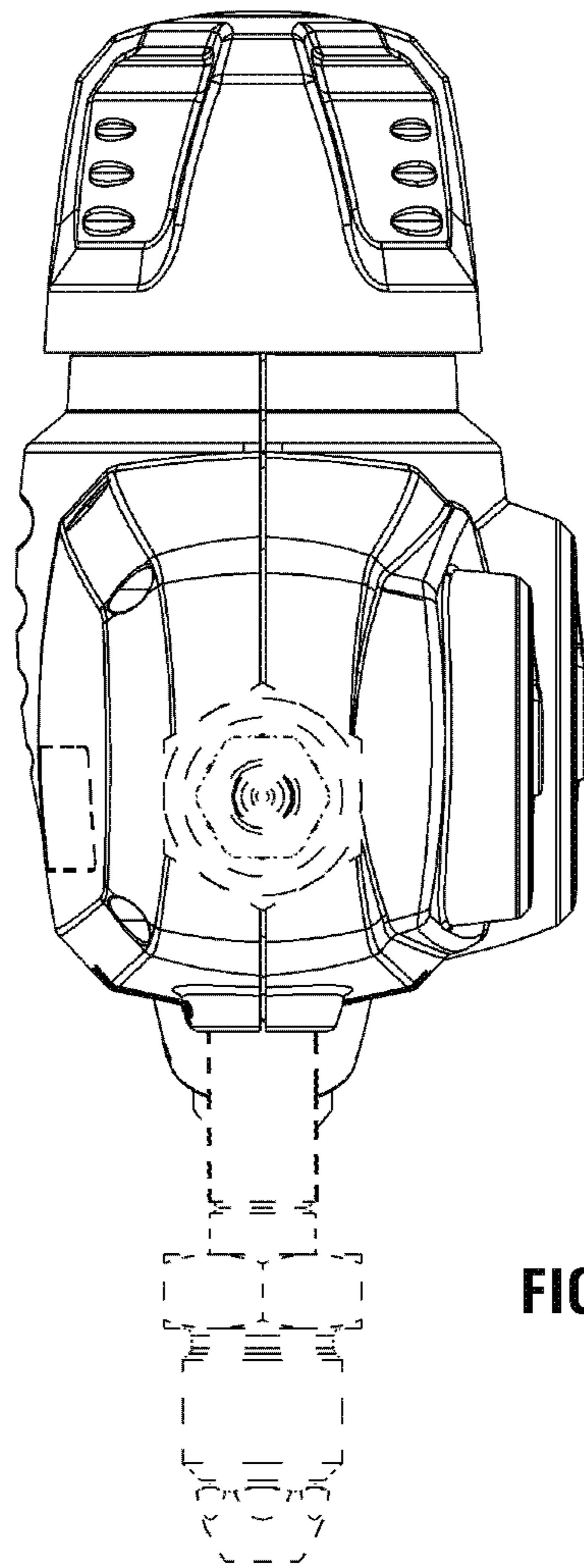


FIG 4



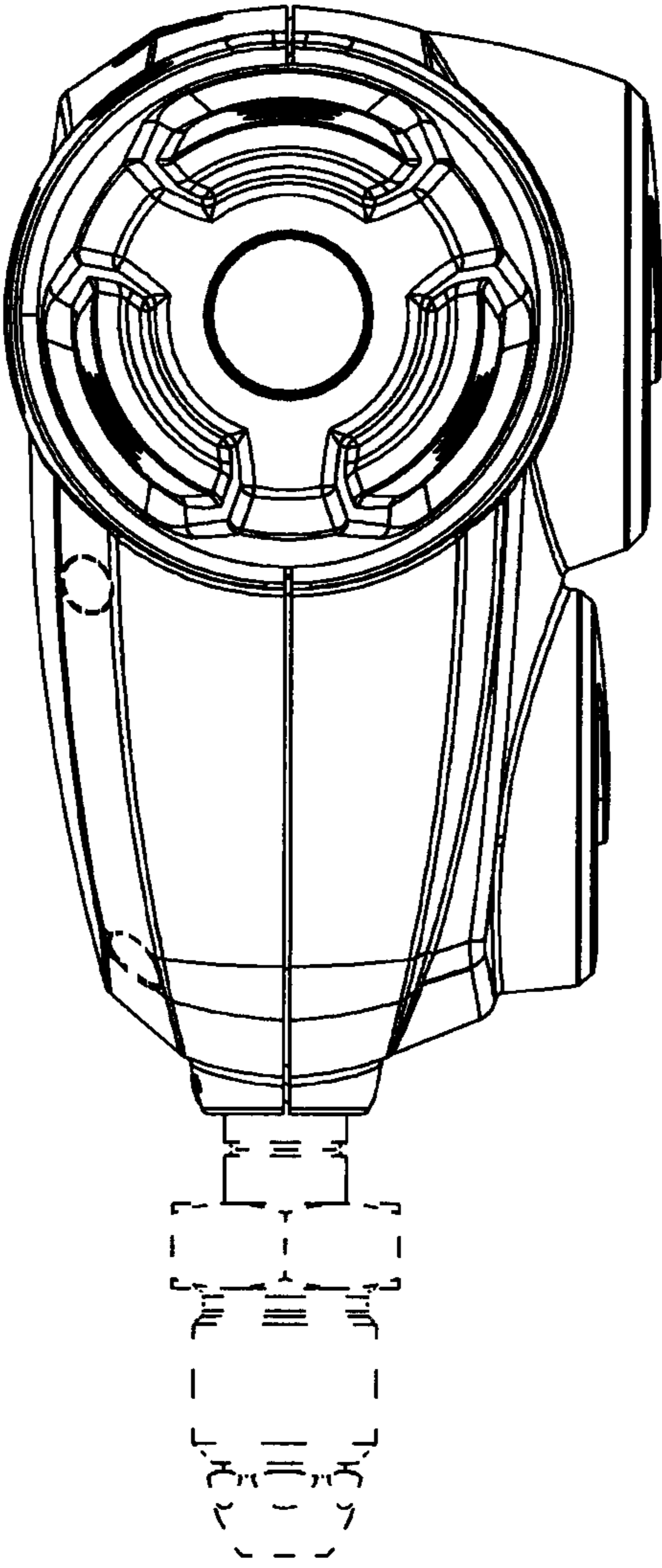


FIG 5

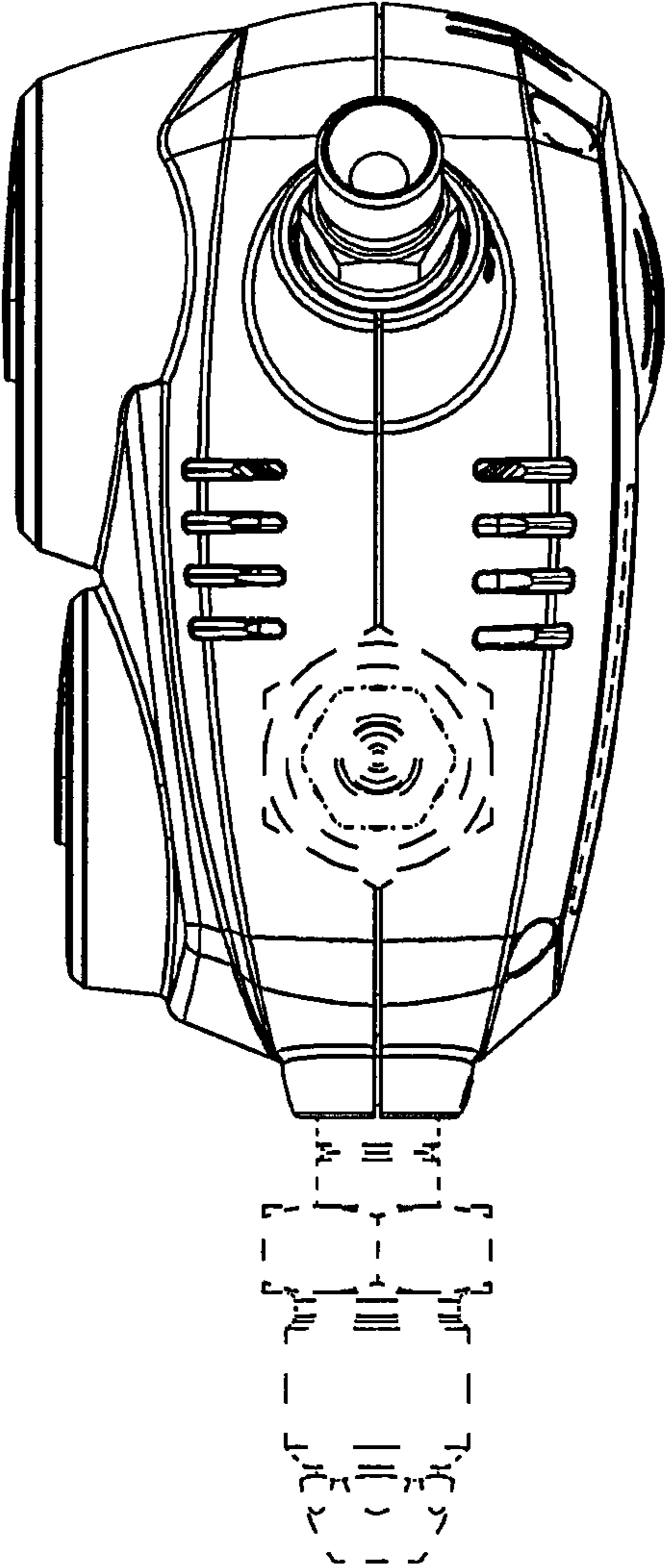
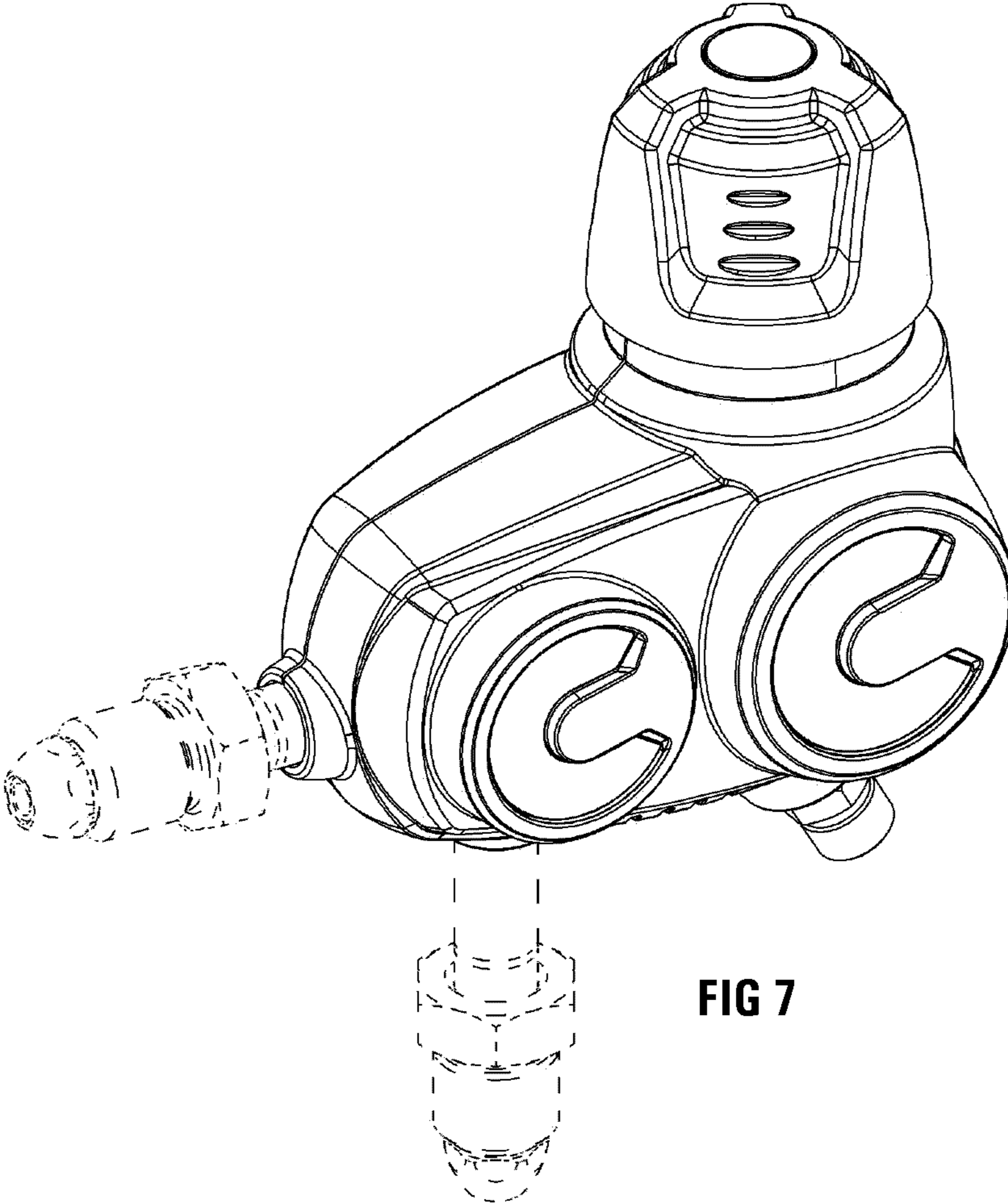


FIG 6





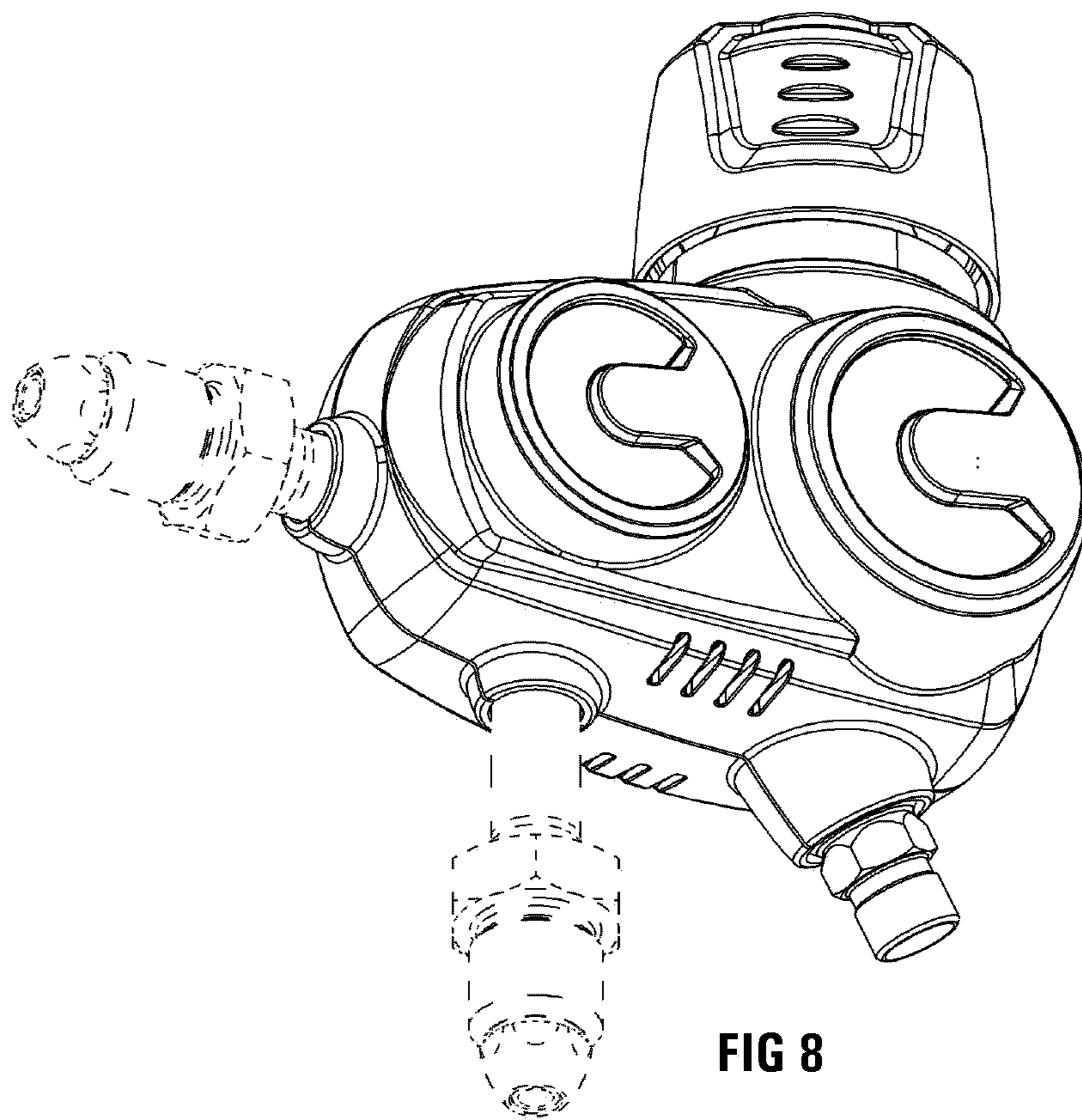


FIG 8

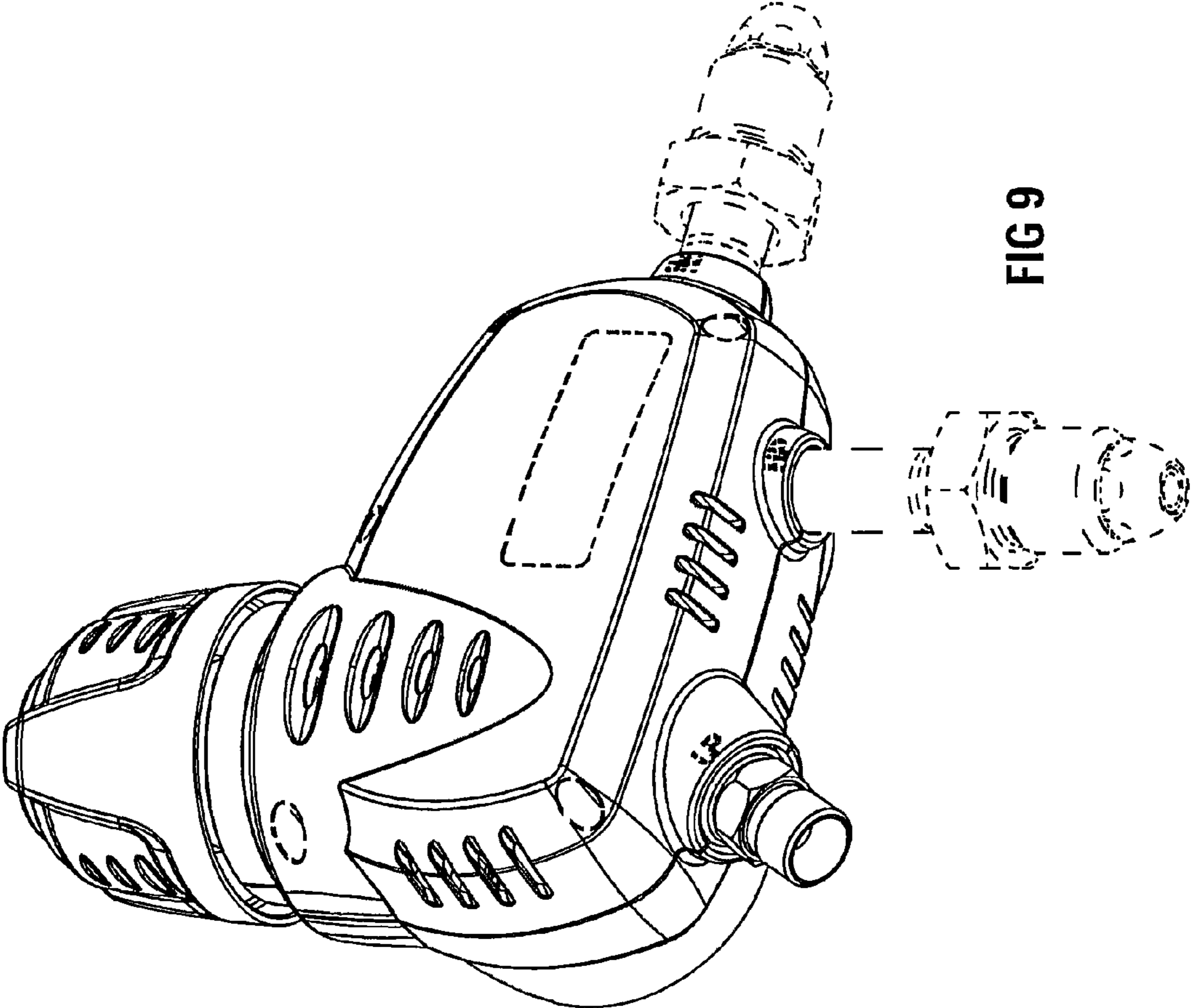


FIG 9