



US00D737425S

(12) **United States Design Patent**  
**Wieczorek**

(10) **Patent No.:** **US D737,425 S**

(45) **Date of Patent:** **\*\* Aug. 25, 2015**

(54) **INHALER**

FOREIGN PATENT DOCUMENTS

- (71) Applicant: **Maciej Wieczorek**, Kielpin (PL)
- (72) Inventor: **Maciej Wieczorek**, Kielpin (PL)
- (73) Assignee: **Celon Pharma S.A.**, Kielpin (PL)
- (\*\*) Term: **14 Years**

EM	001842220-0001	3/2011
EM	001842220-0002	3/2011
EM	001842220-0003	3/2011
EM	002226407-0001	4/2013
EM	002256834-0001	6/2013
EM	002256834-0002	6/2013
FM	002226407-0002	4/2013
GB	2242134 A	9/1991

(21) Appl. No.: **29/478,329**

OTHER PUBLICATIONS

(22) Filed: **Jan. 3, 2014**

“The GlaxoSmithKline Diskus”, beachpackagingdesign.com/wp/2012/technical-packaging-the-diskusaccuhaler.html, Beach packaging Design, Staten Island NY, Feb. 1, 2012, downloaded from the Internet on Feb. 11, 2014.

(30) **Foreign Application Priority Data**

Jul. 9, 2013 (EM) ..... 002270793-0002

\* cited by examiner

(51) **LOC (10) Cl.** ..... **29-02**

*Primary Examiner* — Deanna L Pratt

(52) **U.S. Cl.**  
USPC ..... **D24/110**

*Assistant Examiner* — Lilyana Bekic

(58) **Field of Classification Search**  
USPC ..... D24/107, 108, 110, 111, 164  
CPC ..... A61M 15/009; A61M 15/0065; A61M 15/0091; A61M 15/0021; A61M 15/0026; A61M 15/00; A61M 11/00; A61M 2202/064  
See application file for complete search history.

(74) *Attorney, Agent, or Firm* — Shalom Wertsberger; Saltamar Innovations

(56) **References Cited**

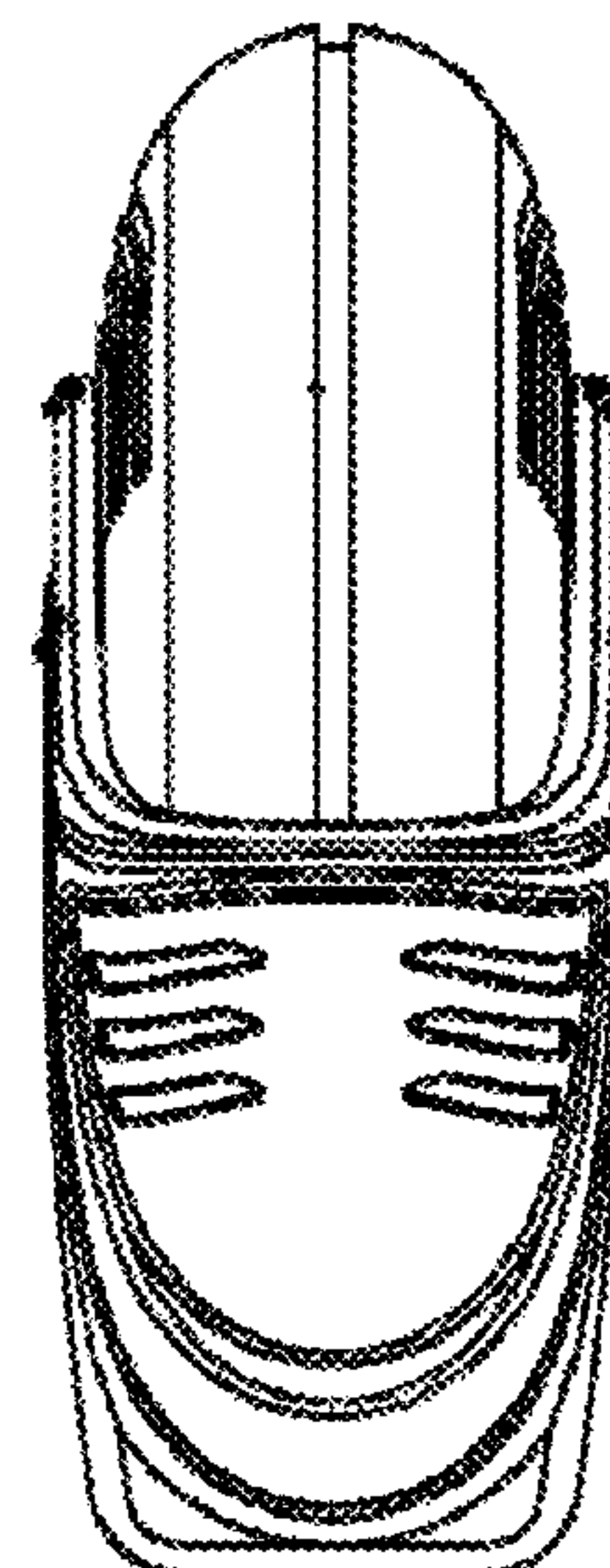
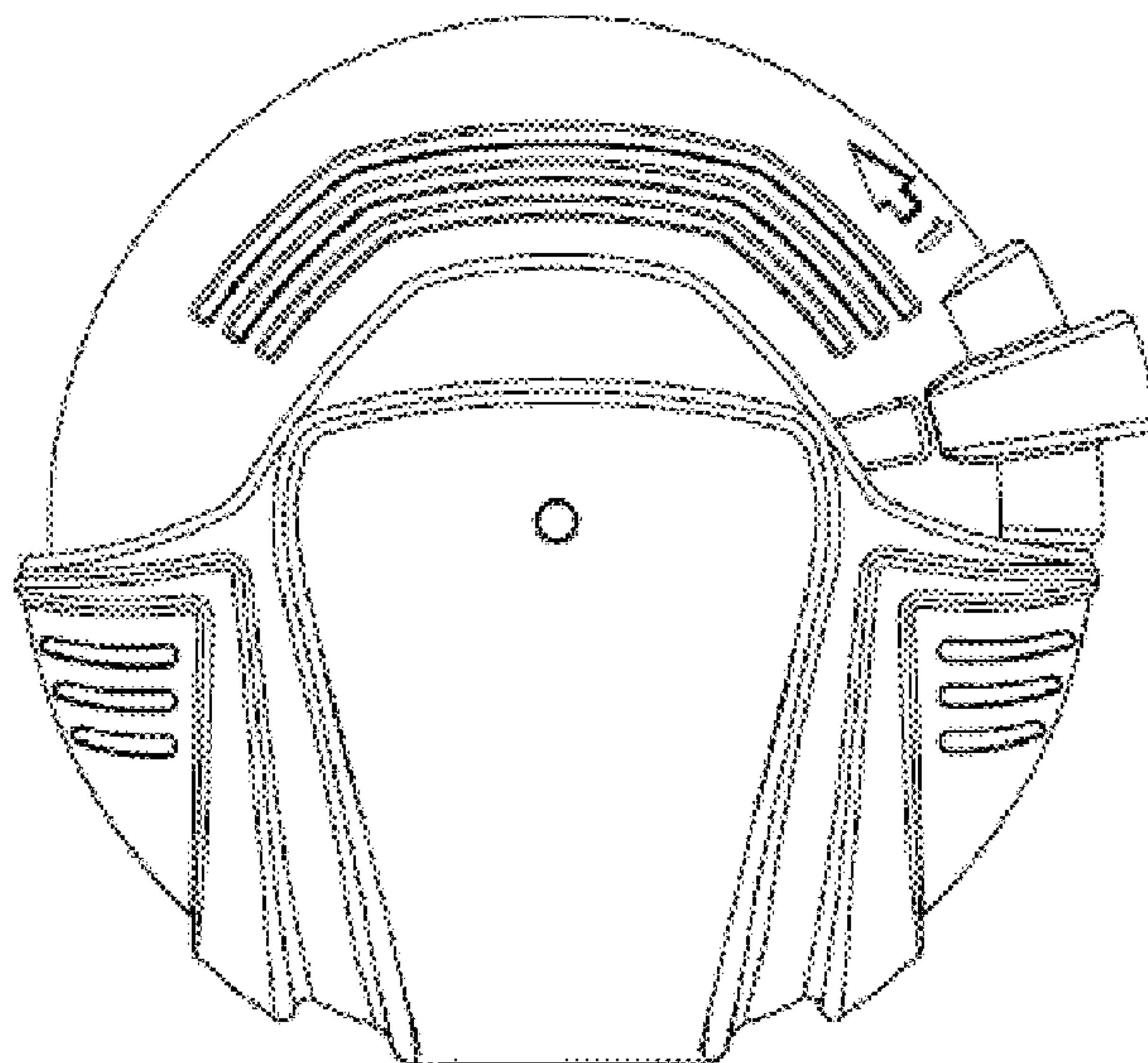
**DESCRIPTION**

U.S. PATENT DOCUMENTS

D342,994 S *	1/1994	Rand et al.	.....	D24/110
D590,495 S *	4/2009	Lulla et al.	.....	D24/110
D667,105 S *	9/2012	Zuyderhoudt	.....	D24/110
D684,254 S *	6/2013	Zuyderhoudt	.....	D24/110
D693,458 S *	11/2013	Wright et al.	.....	D24/110
2004/0035420 A1 *	2/2004	Davies et al.	.....	128/203.15
2005/0174216 A1 *	8/2005	Lintell	.....	340/309.16
2005/0177275 A1 *	8/2005	Harvey et al.	.....	700/244
2007/0125372 A1 *	6/2007	Chen	.....	128/200.23
2012/0260917 A1 *	10/2012	Bilgic	.....	128/203.15

FIG. 1 depicts a front view of my inhaler in a closed state.  
FIG. 2 depicts one side view thereof.  
FIG. 3 depicts one general perspective thereof.  
FIG. 4 depicts another perspective thereof.  
FIG. 5 depicts a front view of the inhaler of FIG. 1 in an open state.  
FIG. 6 depicts another side view of the inhaler of FIG. 1; and,  
FIG. 7 depicts a bottom view of the inhaler.

**1 Claim, 3 Drawing Sheets**



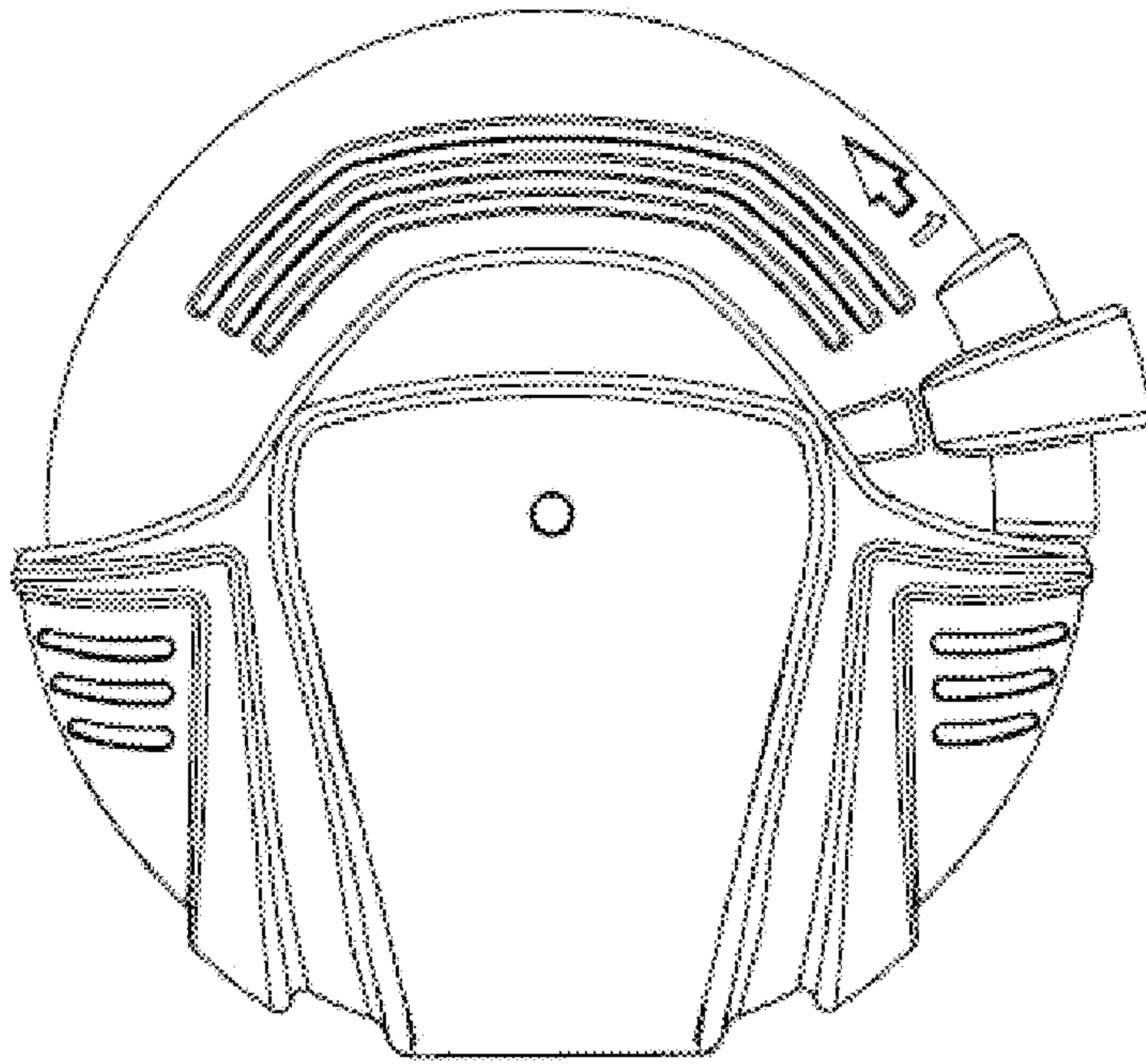


Fig. 1

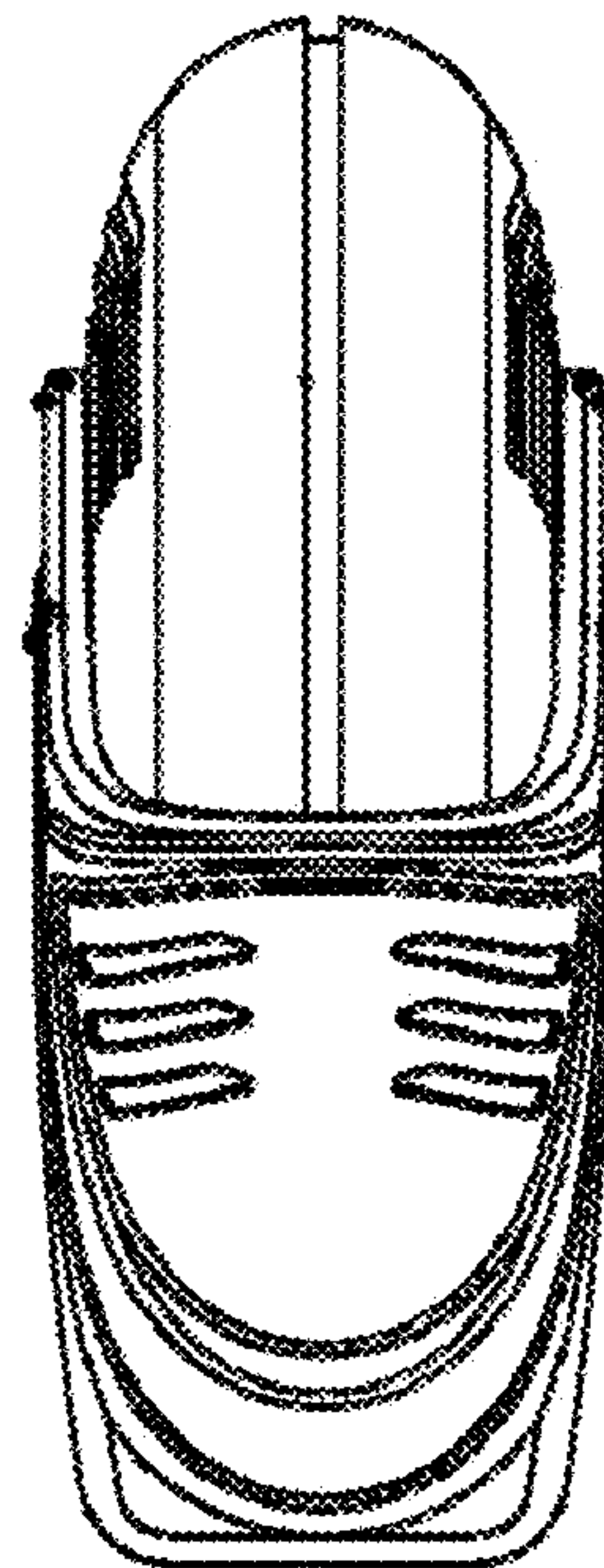


Fig. 2



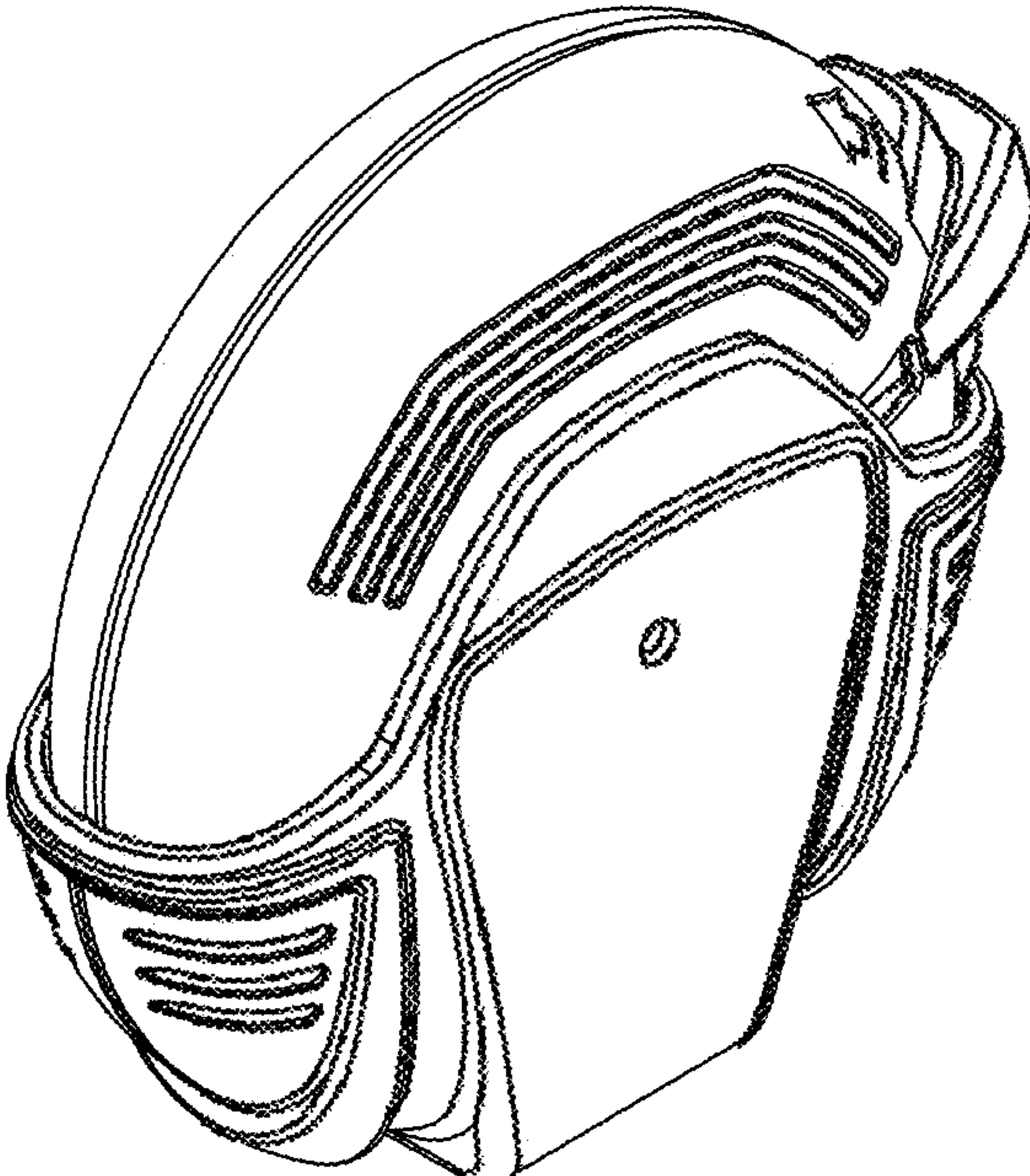


Fig. 3

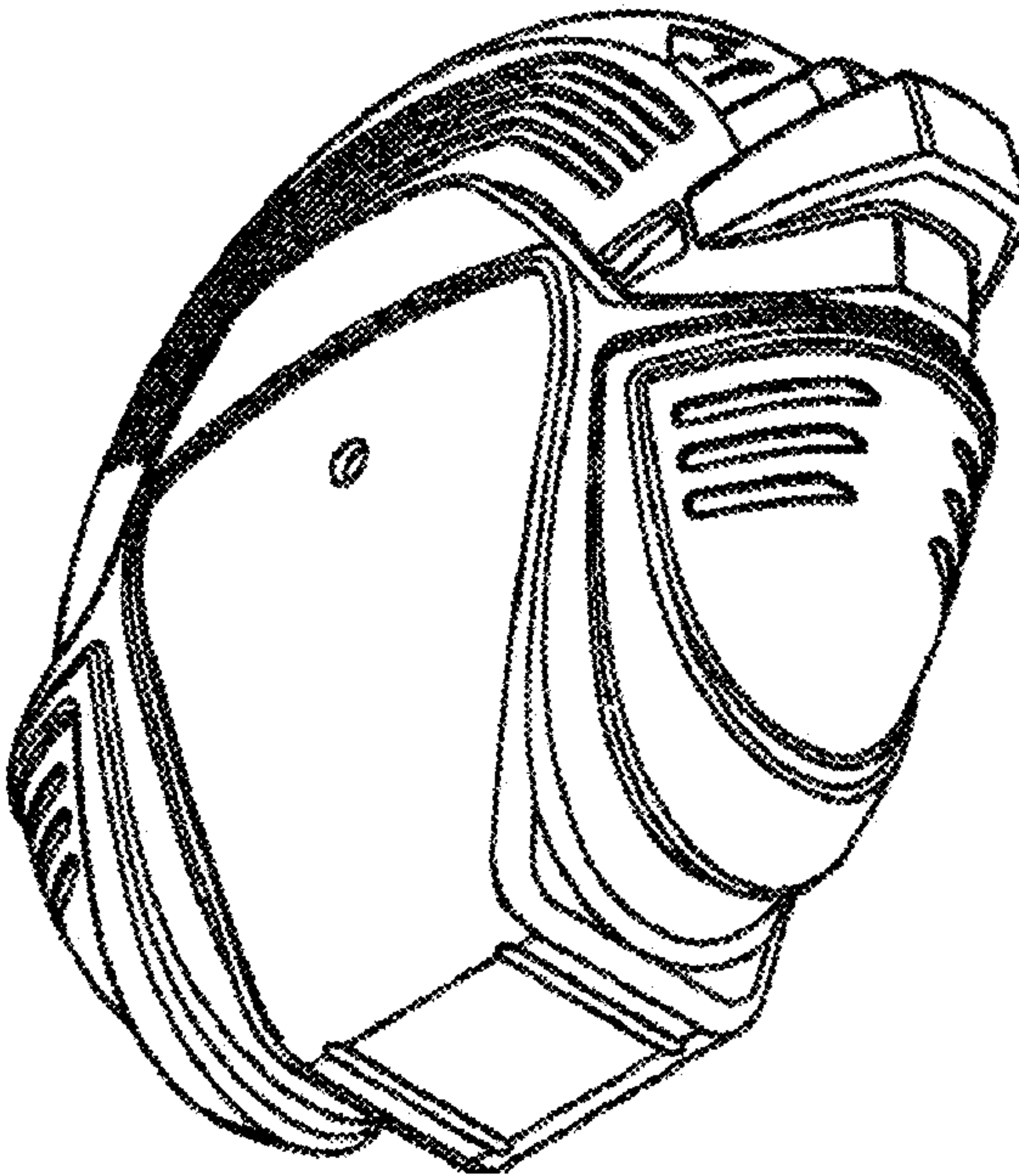


Fig. 4

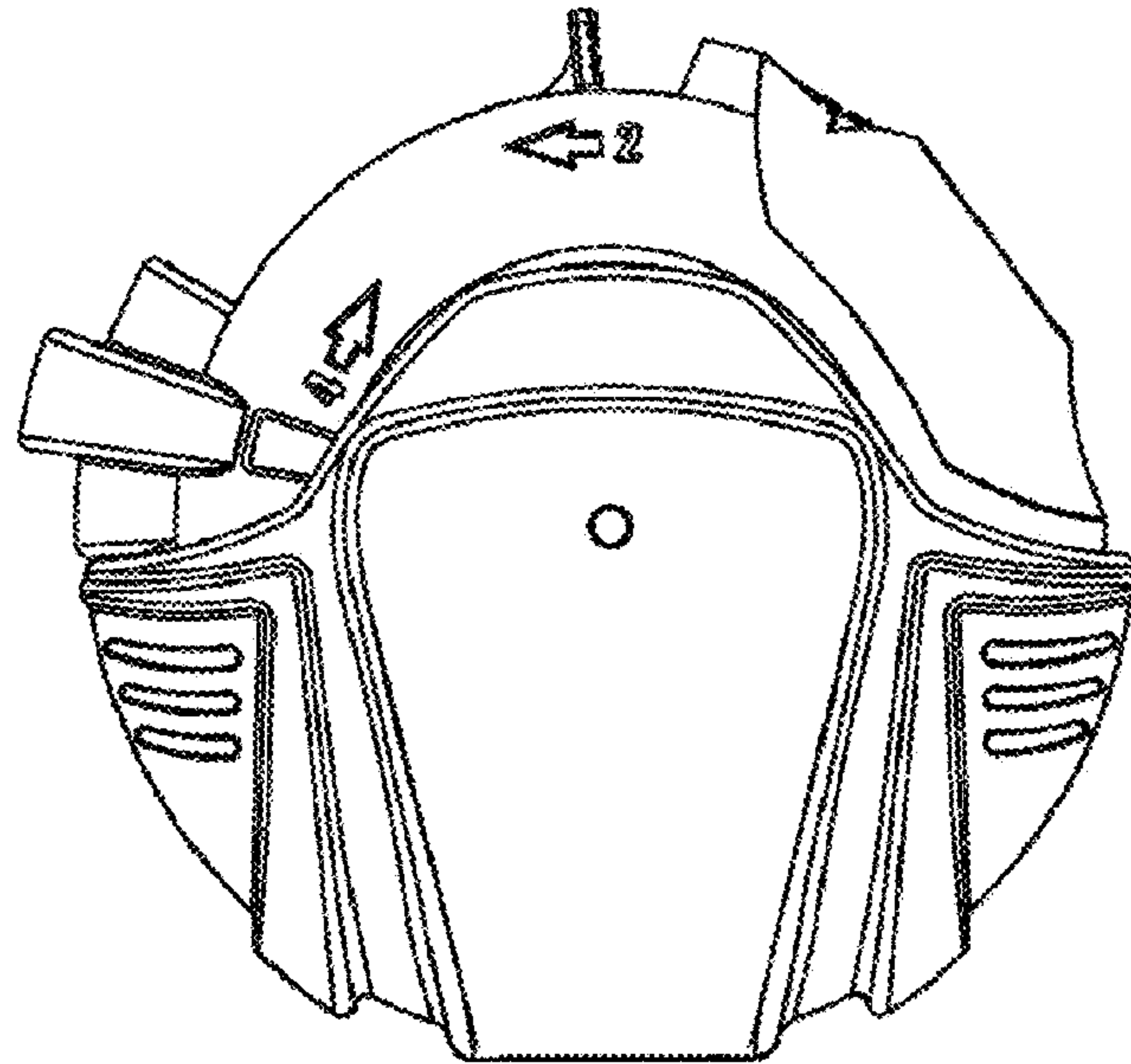


Fig. 5

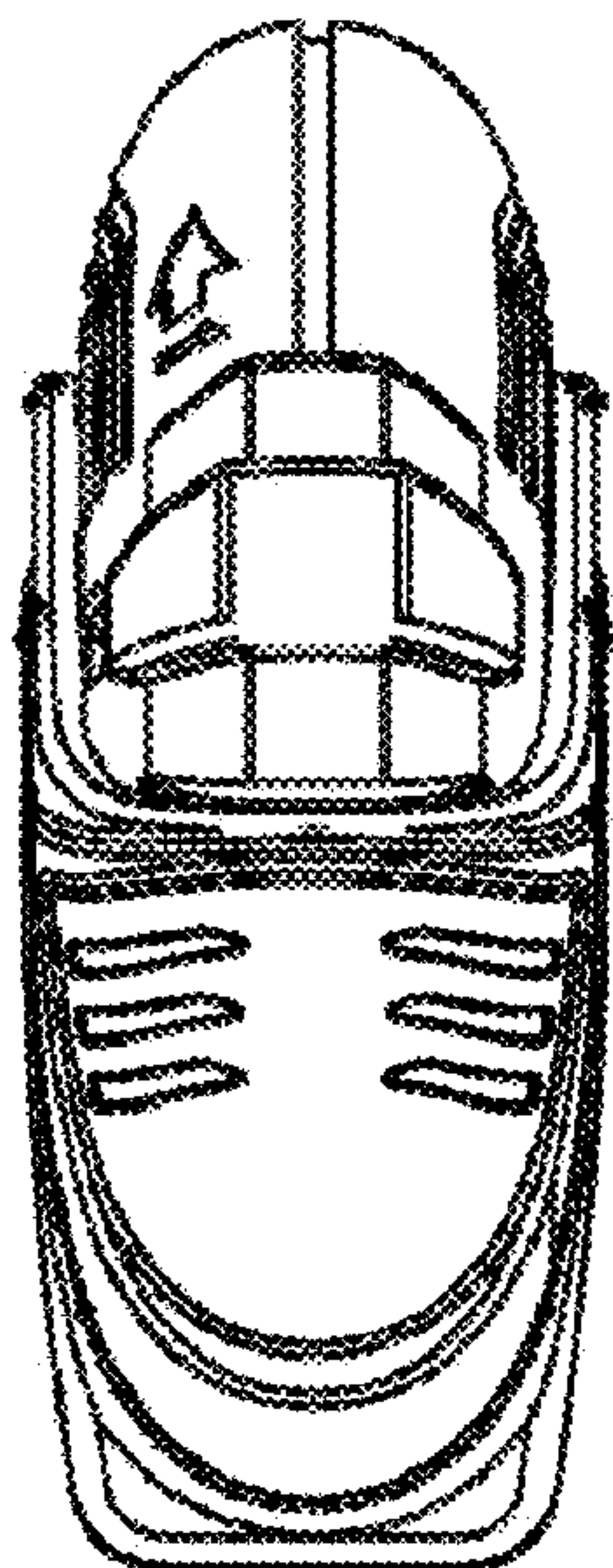


Fig. 6

Fig. 7

