



US00D737424S

(12) **United States Design Patent**  
**Toksoz**

(10) **Patent No.:** **US D737,424 S**

(45) **Date of Patent:** **\*\* Aug. 25, 2015**

(54) **BUTTON OF AN INHALER DEVICE**

(71) Applicant: **Arven Ilac Sanayi Ve Ticaret Anonim Sirketi, Istanbul (TR)**

(72) Inventor: **Zafer Toksoz, Istanbul (TR)**

(73) Assignee: **Arven Ilac Sanayi Ve Ticaret Anonim Sirketi, Istanbul (TR)**

(\*\*) Term: **14 Years**

(21) Appl. No.: **29/461,919**

(22) Filed: **Jul. 29, 2013**

(30) **Foreign Application Priority Data**

Jan. 30, 2013 (TR) ..... TR 2013 00702

(51) **LOC (10) Cl.** ..... **29-02**

(52) **U.S. Cl.**  
USPC ..... **D24/110**

(58) **Field of Classification Search**  
USPC ..... D24/107, 108, 110, 111, 164;  
128/200.14, 200.23, 202.21, 203.15,  
128/203.21, 205.24

CPC . A61M 11/00; A61M 15/00; A61M 15/0026;  
A61M 15/0021; A61M 15/0091; A61M  
15/0065; A61M 15/009; A61M 2202/064;  
A61M 15/0086; A61M 15/0001; A61K 9/0078  
See application file for complete search history.

(56) **References Cited**

**U.S. PATENT DOCUMENTS**

D443,689 S \* 6/2001 Myrman et al. .... D24/110  
D477,665 S \* 7/2003 Myrman et al. .... D24/110

D512,777 S \* 12/2005 Beisner et al. .... D24/110  
D656,606 S \* 3/2012 Palmer-Felgate et al. ... D24/110  
D657,045 S \* 4/2012 Palmer-Felgate et al. ... D24/110  
D657,049 S \* 4/2012 Palmer-Felgate et al. ... D24/110  
D683,844 S \* 6/2013 Andrade et al. .... D24/110  
D717,425 S \* 11/2014 Von Schuckmann ..... D24/110

**FOREIGN PATENT DOCUMENTS**

WO WO 2010114504 A1 \* 10/2010  
WO WO 2010114505 A1 \* 10/2010  
WO WO 2010114506 A1 \* 10/2010  
WO WO 2013176635 A1 \* 11/2013  
WO WO 2013176636 A1 \* 11/2013  
WO WO 2013176639 A1 \* 11/2013  
WO WO 2013176640 A1 \* 11/2013  
WO WO 2013176641 A1 \* 11/2013  
WO WO 2013176642 A1 \* 11/2013  
WO WO 2013176643 A1 \* 11/2013

\* cited by examiner

*Primary Examiner* — Deanna L Pratt

*Assistant Examiner* — Lilyana Bekic

(74) *Attorney, Agent, or Firm* — Kenyon & Kenyon LLP

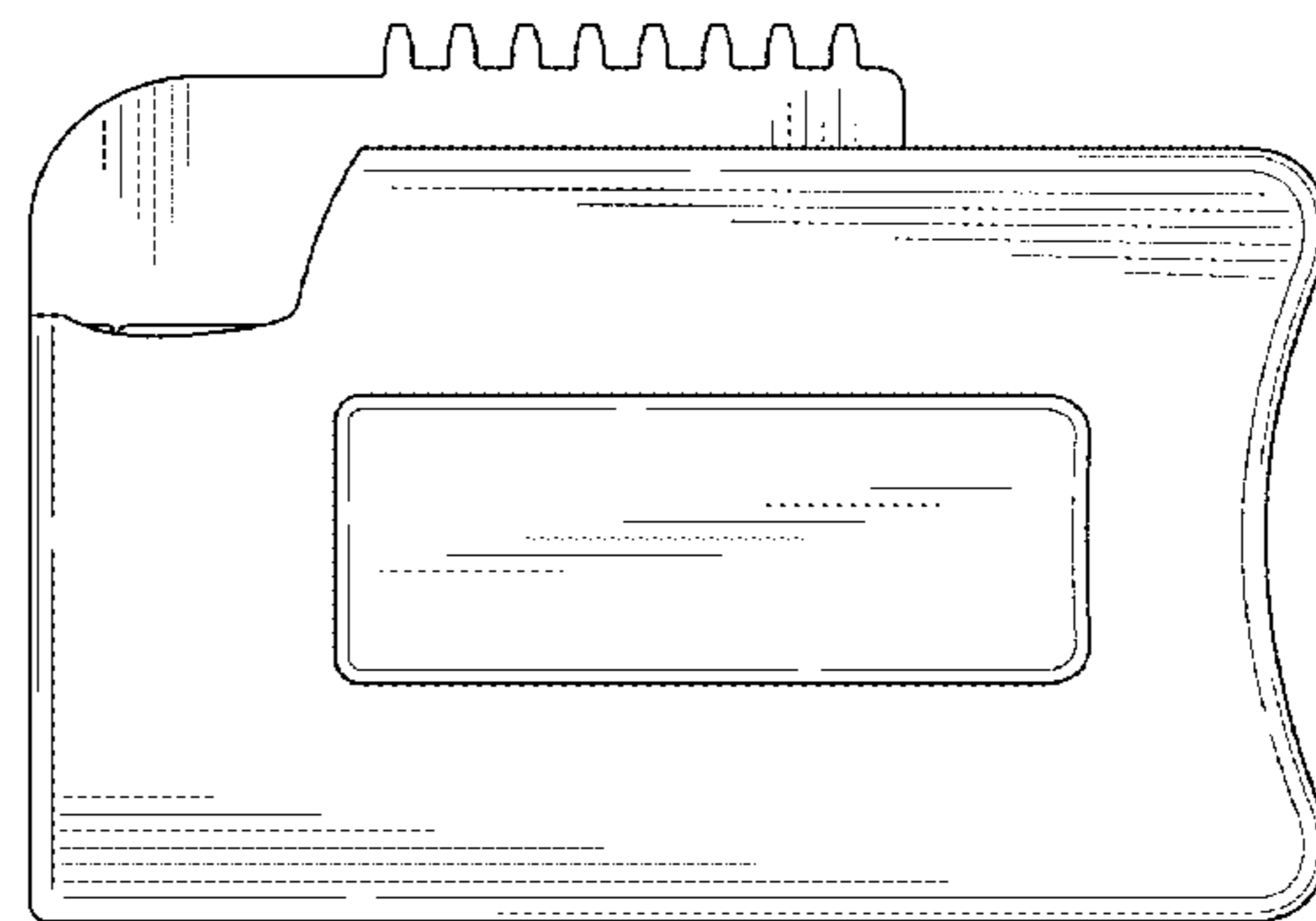
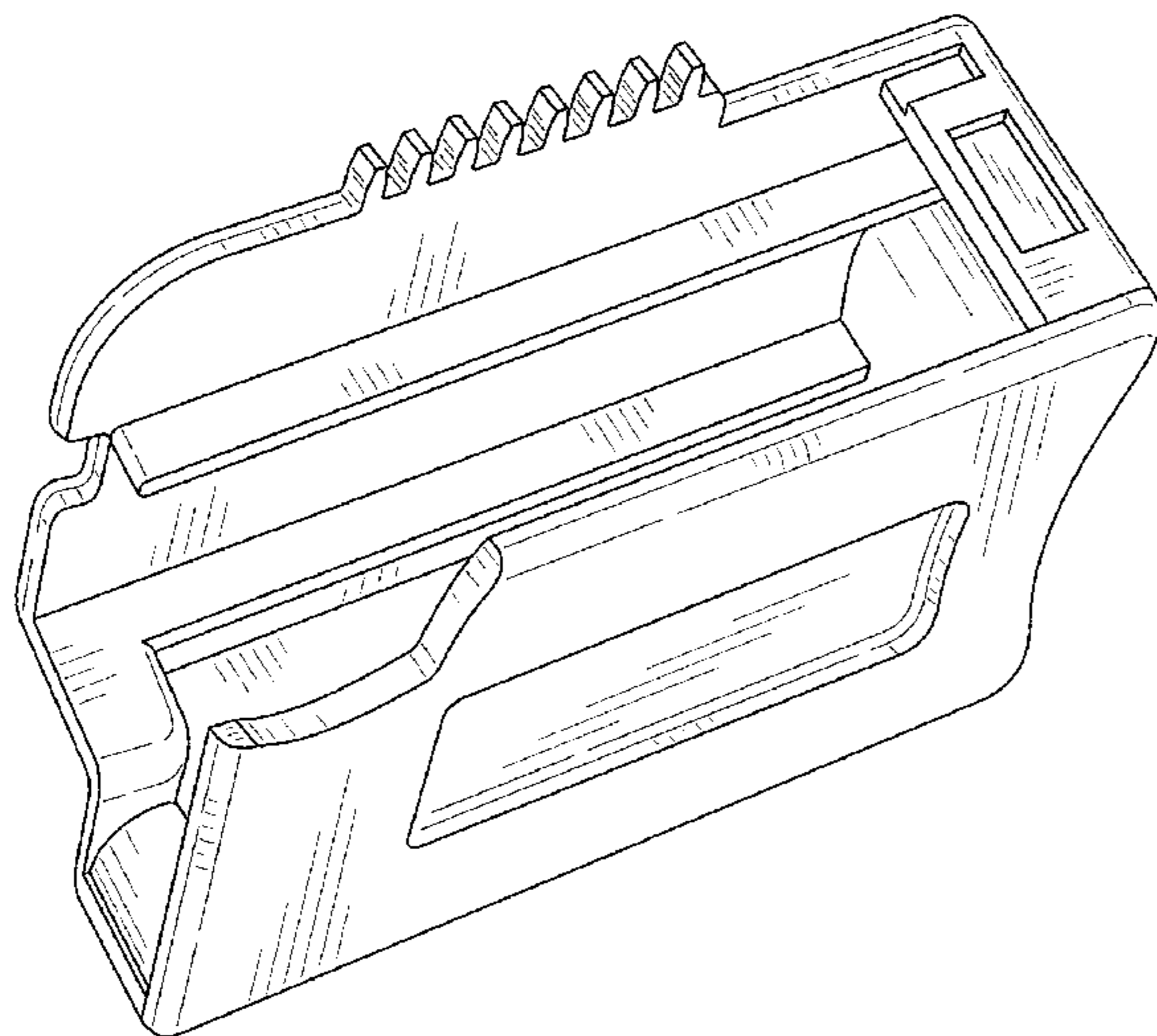
(57) **CLAIM**

The ornamental design for a button of an inhaler device, as shown and described.

**DESCRIPTION**

FIG. 1 is a top, rear and left side perspective view of a button of an inhaler device showing my new design;  
FIG. 2 is a rear elevational view thereof;  
FIG. 3 is a front elevational view thereof;  
FIG. 4 is a left side elevational view thereof;  
FIG. 5 is a right side elevational view thereof;  
FIG. 6 is a top plan view thereof; and,  
FIG. 7 is a bottom plan view thereof.

**1 Claim, 3 Drawing Sheets**



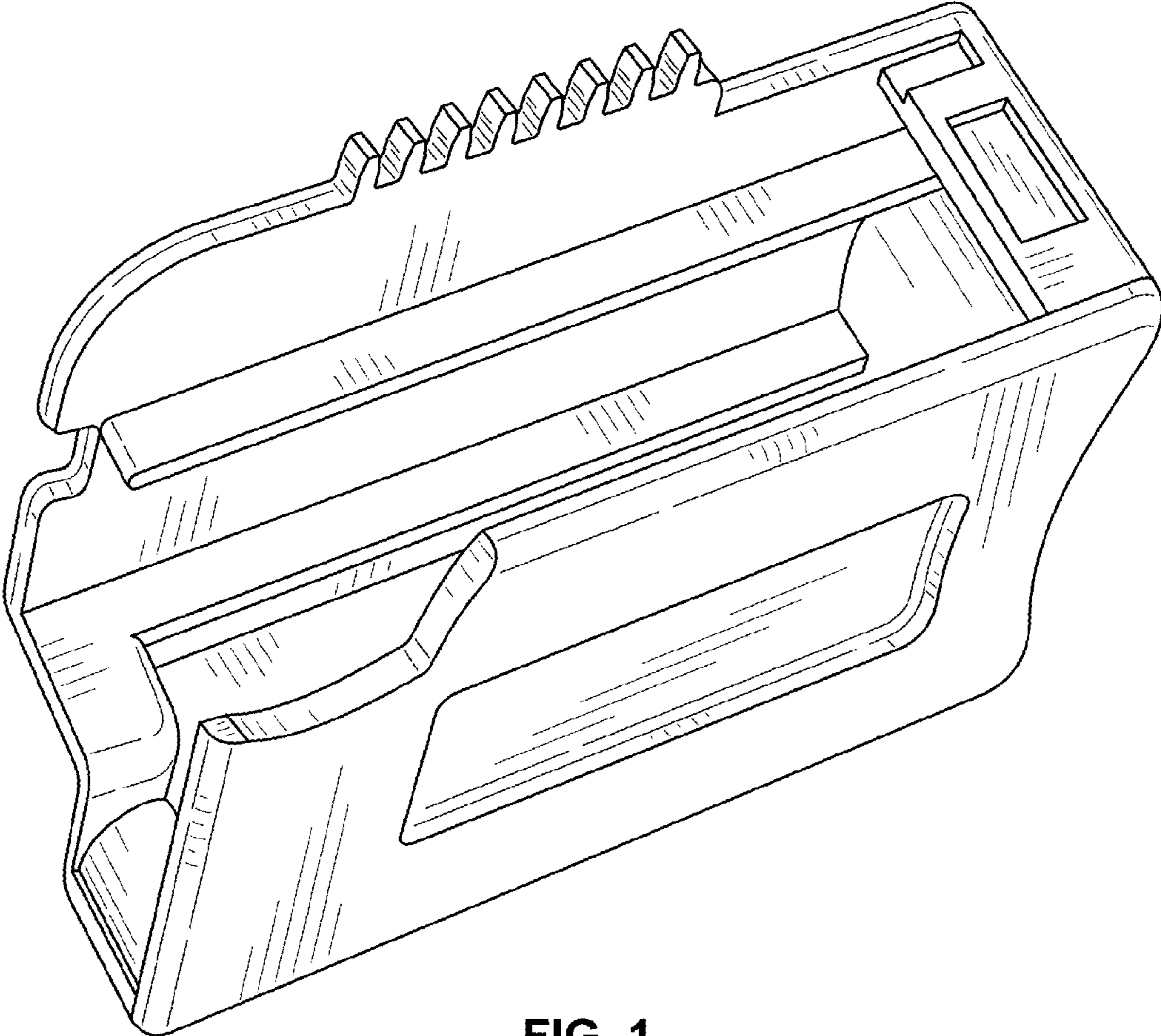


FIG. 1

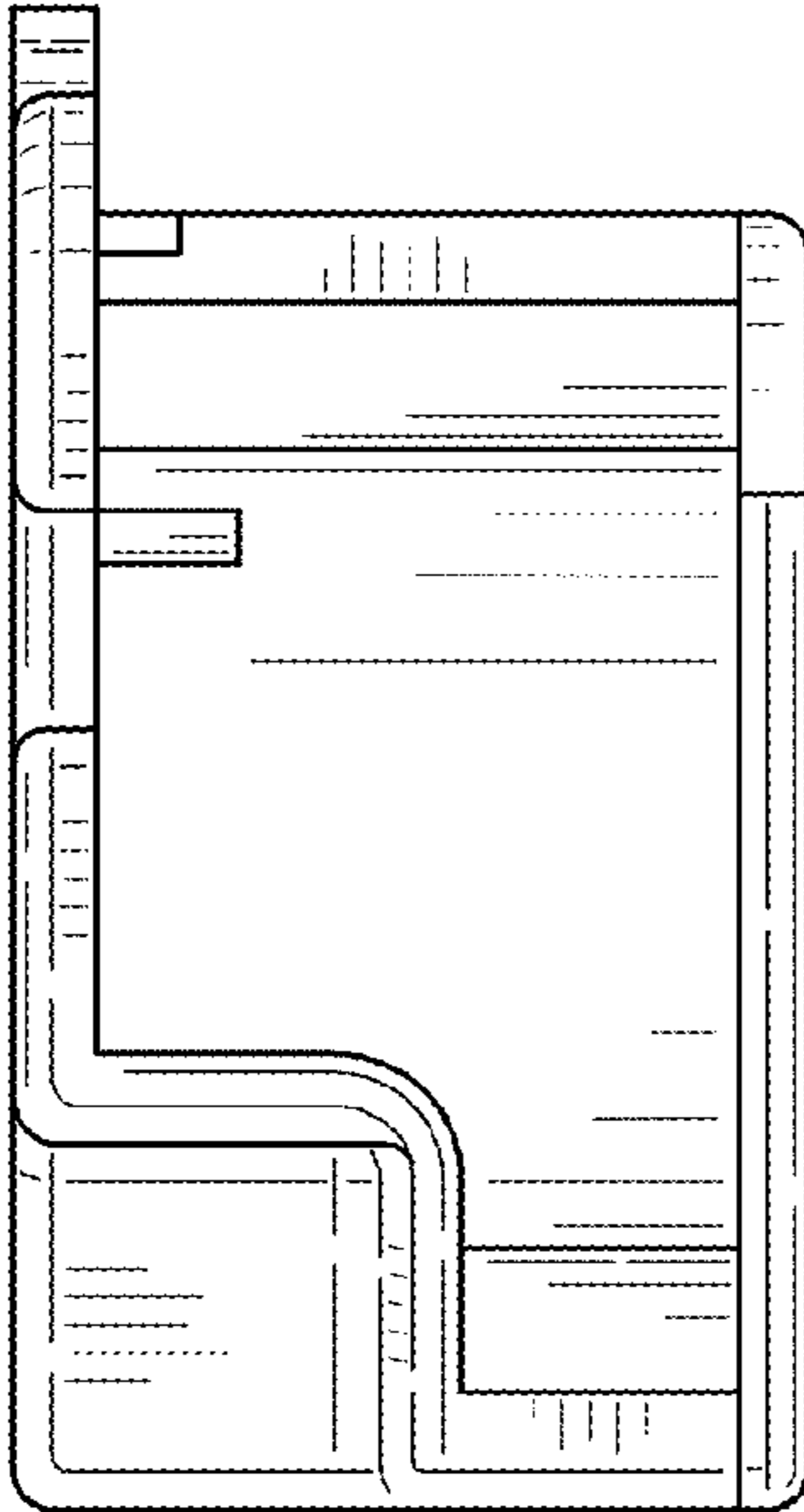


FIG. 2

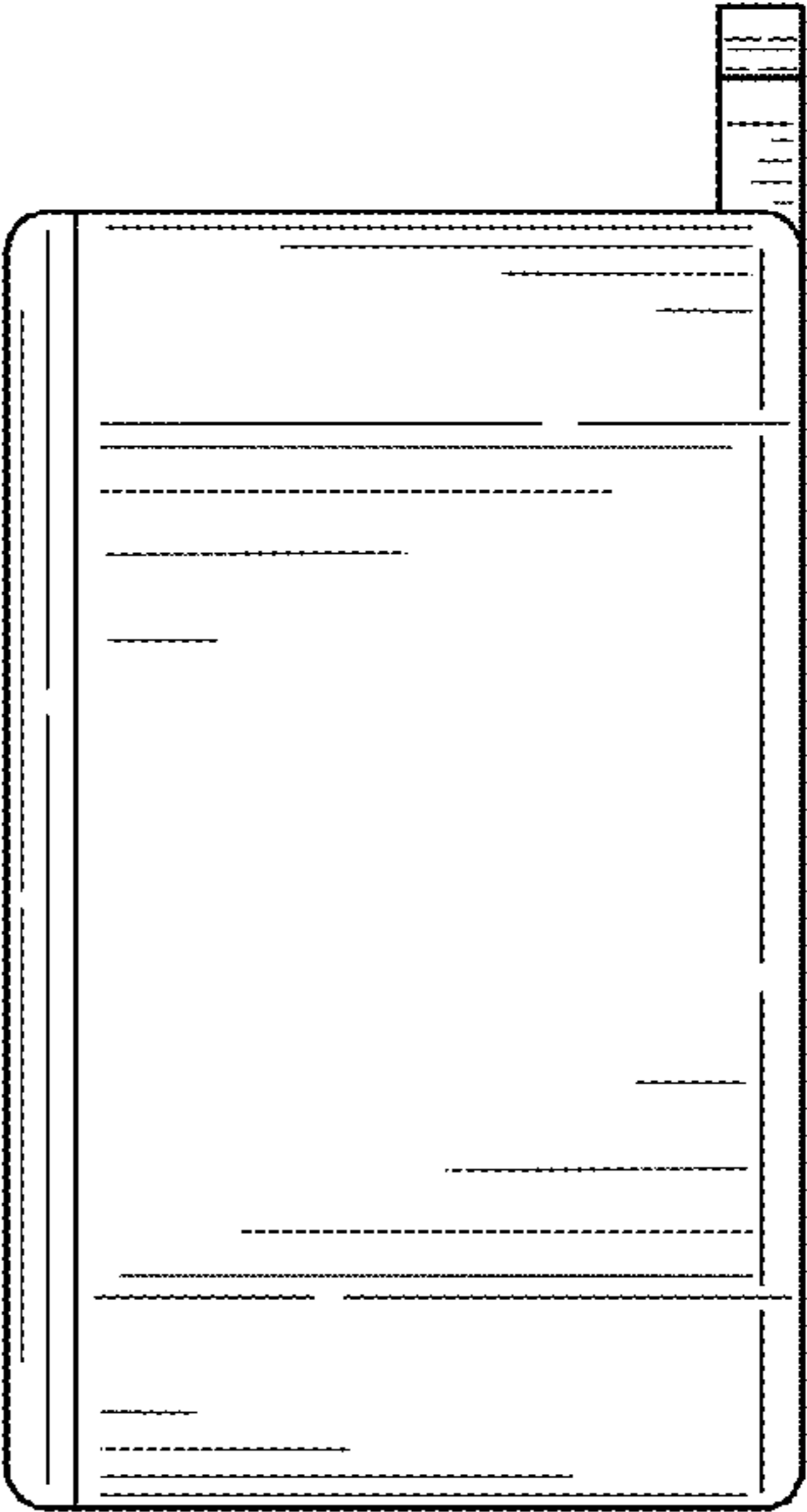


FIG. 3

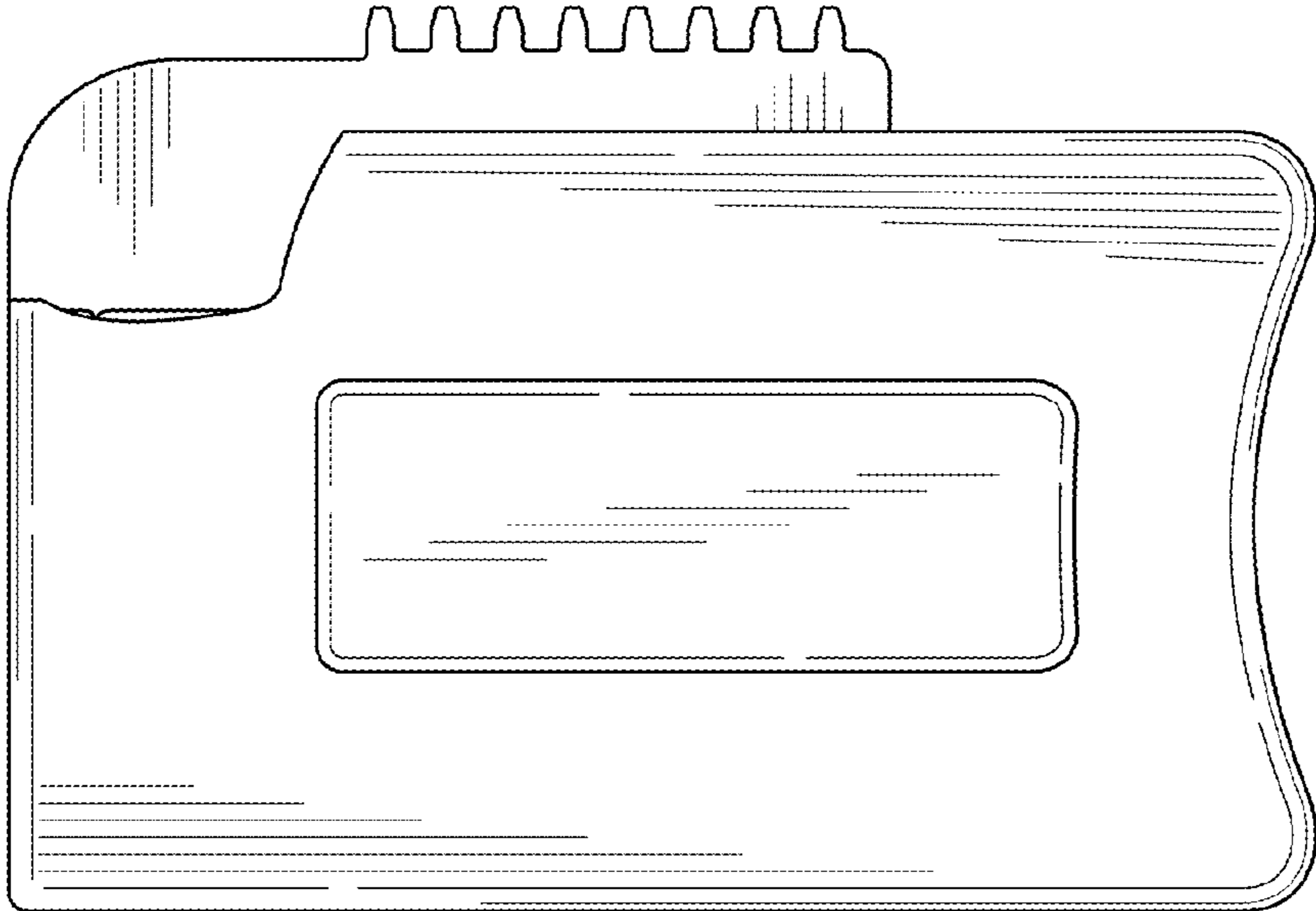


FIG. 4

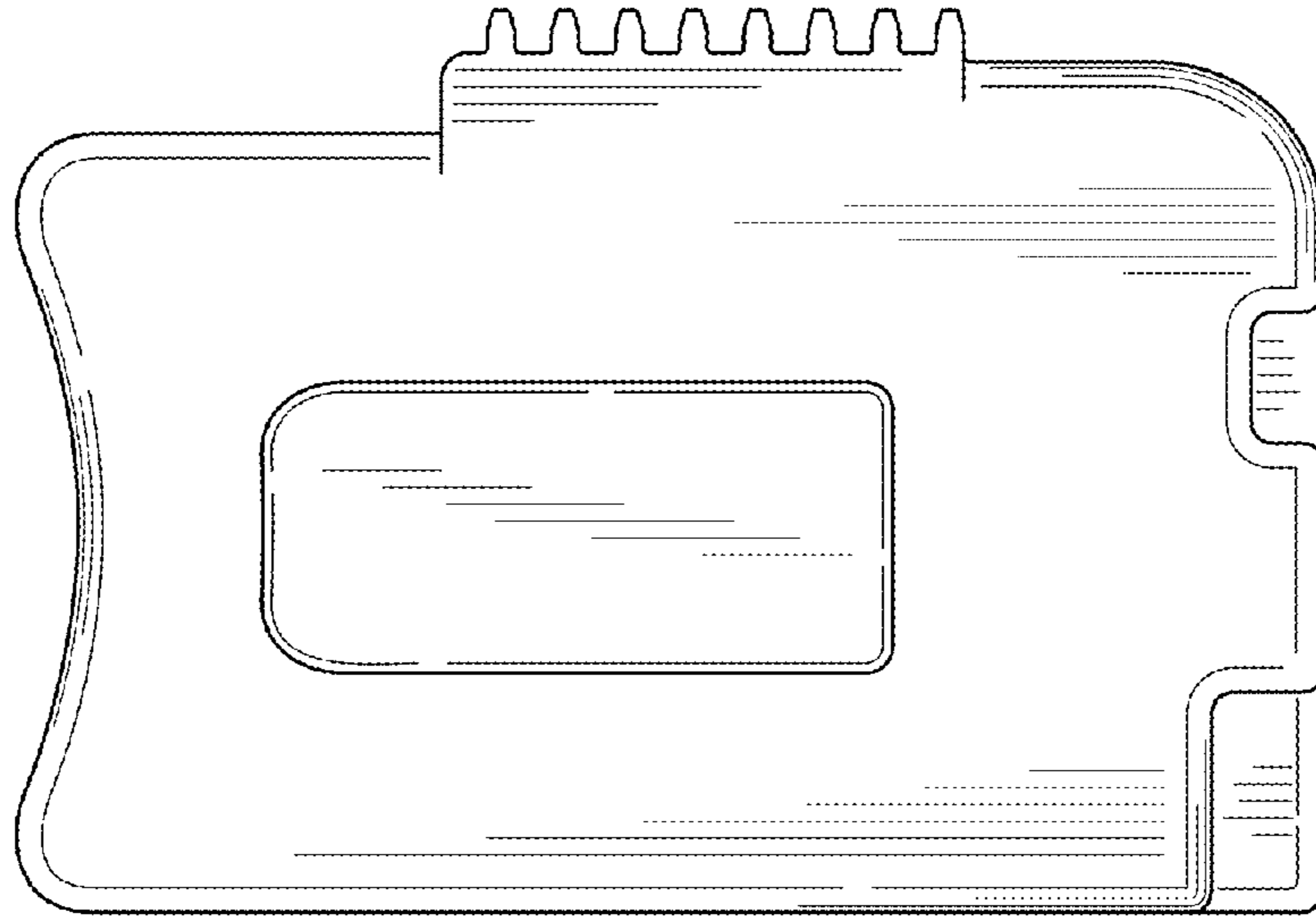


FIG. 5

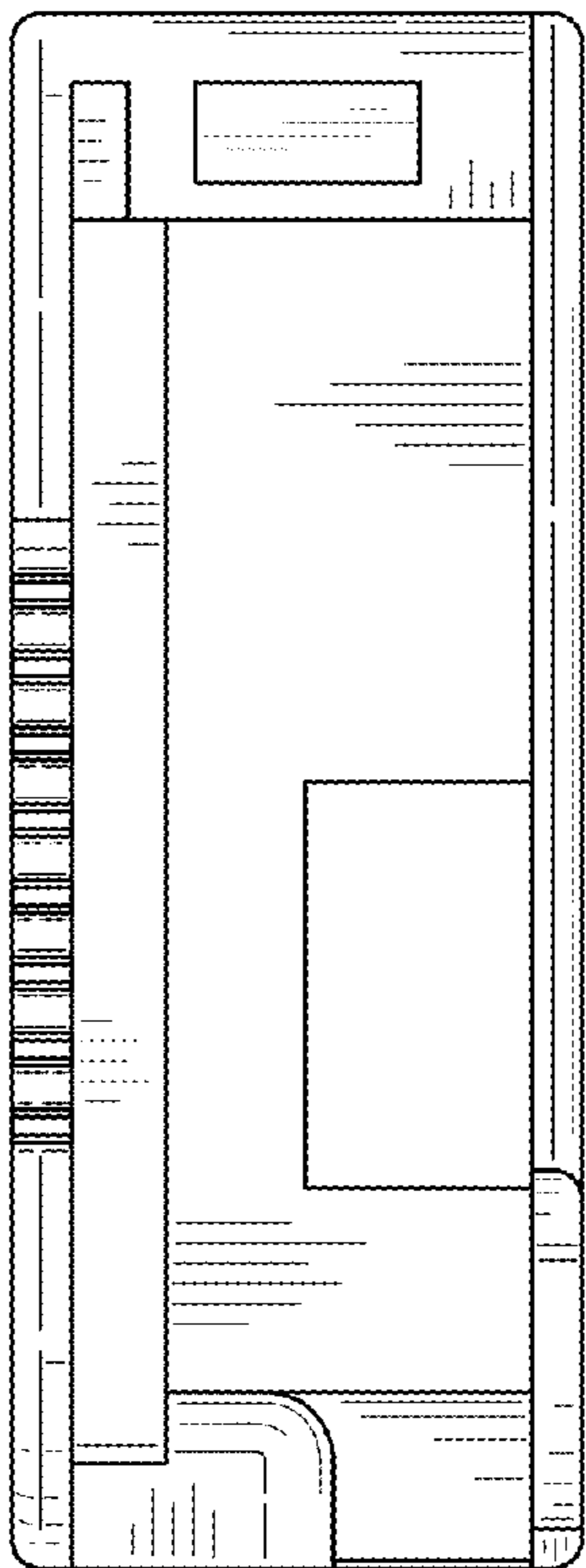


FIG. 6

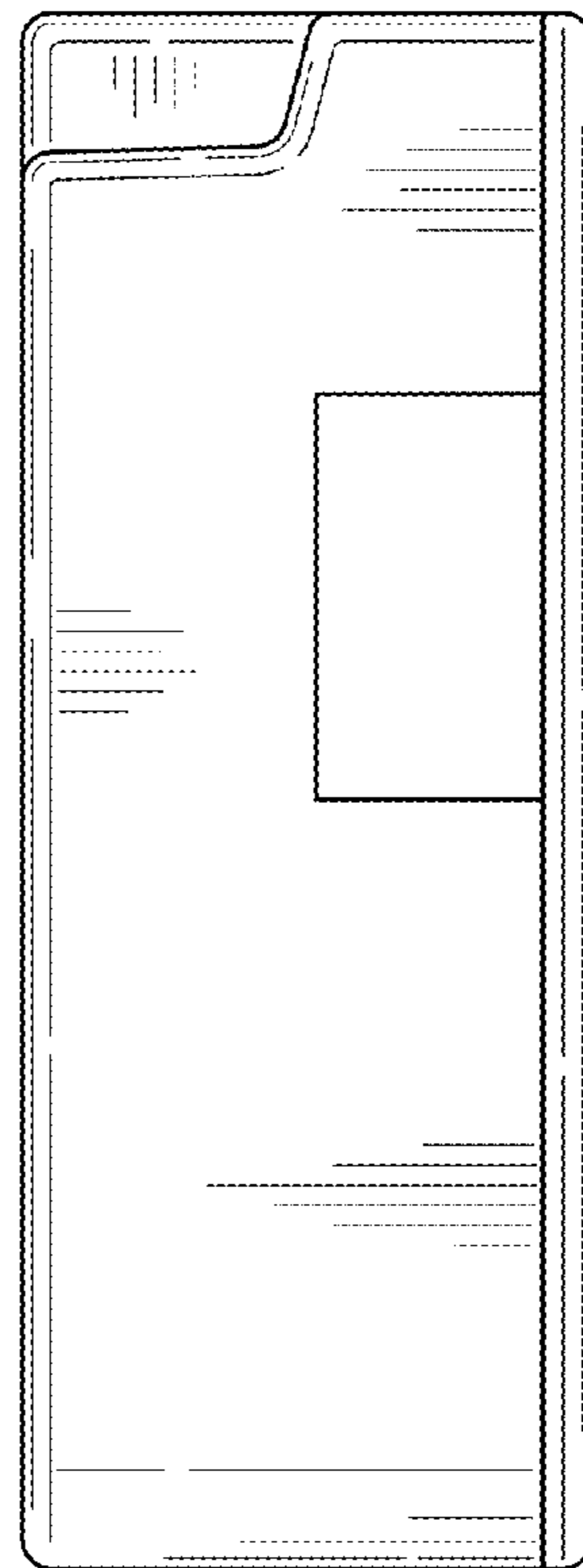


FIG. 7