



US00D737421S

(12) **United States Design Patent**
Jannello et al.

(10) **Patent No.:** **US D737,421 S**
(45) **Date of Patent:** **** Aug. 25, 2015**

(54) **PROTECTIVE HOUSING FOR A
SUCTION-ASSISTED CHARGING DEVICE IN
A CLOTHES SPIN-DRIER**

(71) Applicant: **GIRBAU SA**, Vic (Barcelona) (ES)

(72) Inventors: **Luigi Jannello**, Modena (IT); **Enric Pons**, Sant Cugat Del Vallès (ES);
Paulino Vela Muñoz, Tavertet (ES)

(73) Assignee: **Girbau, S.A.** (ES)

(**) Term: **14 Years**

(21) Appl. No.: **29/436,392**

(22) Filed: **Nov. 5, 2012**

(30) **Foreign Application Priority Data**

May 4, 2012 (EM) 002036863-0001

(51) **LOC (10) Cl.** **28-99**

(52) **U.S. Cl.**
USPC **D23/386**

(58) **Field of Classification Search**

USPC D23/355, 359, 360, 364, 365, 386, 392,
D23/393, 401; D6/663, 667, 675; D5/1-3

See application file for complete search history.

(56) **References Cited**

U.S. PATENT DOCUMENTS

4,604,111	A	*	8/1986	Natale	95/284
D311,270	S	*	10/1990	Savage et al.	D23/365
D316,447	S	*	4/1991	Woodson et al.	D23/365
D566,256	S	*	4/2008	Abate et al.	D23/364
D674,474	S	*	1/2013	Rentschler	D23/364
D696,760	S	*	12/2013	Wolf et al.	D23/364

* cited by examiner

Primary Examiner — Sandra Snapp

(74) *Attorney, Agent, or Firm* — Hess Patent Law Firm LLC;
Robert J. Hess

(57) **CLAIM**

The ornamental design for a protective housing for a suction-assisted charging device in a clothes spin-drier, as shown and described.

DESCRIPTION

FIG. 1 is an isometric view of a protective housing for a suction-assisted charging device in a clothes spin-drier in accordance with the invention.

FIG. 2 is a bottom plan view thereof.

FIG. 3 is a front elevation view thereof.

FIG. 4 is a left elevation view thereof.

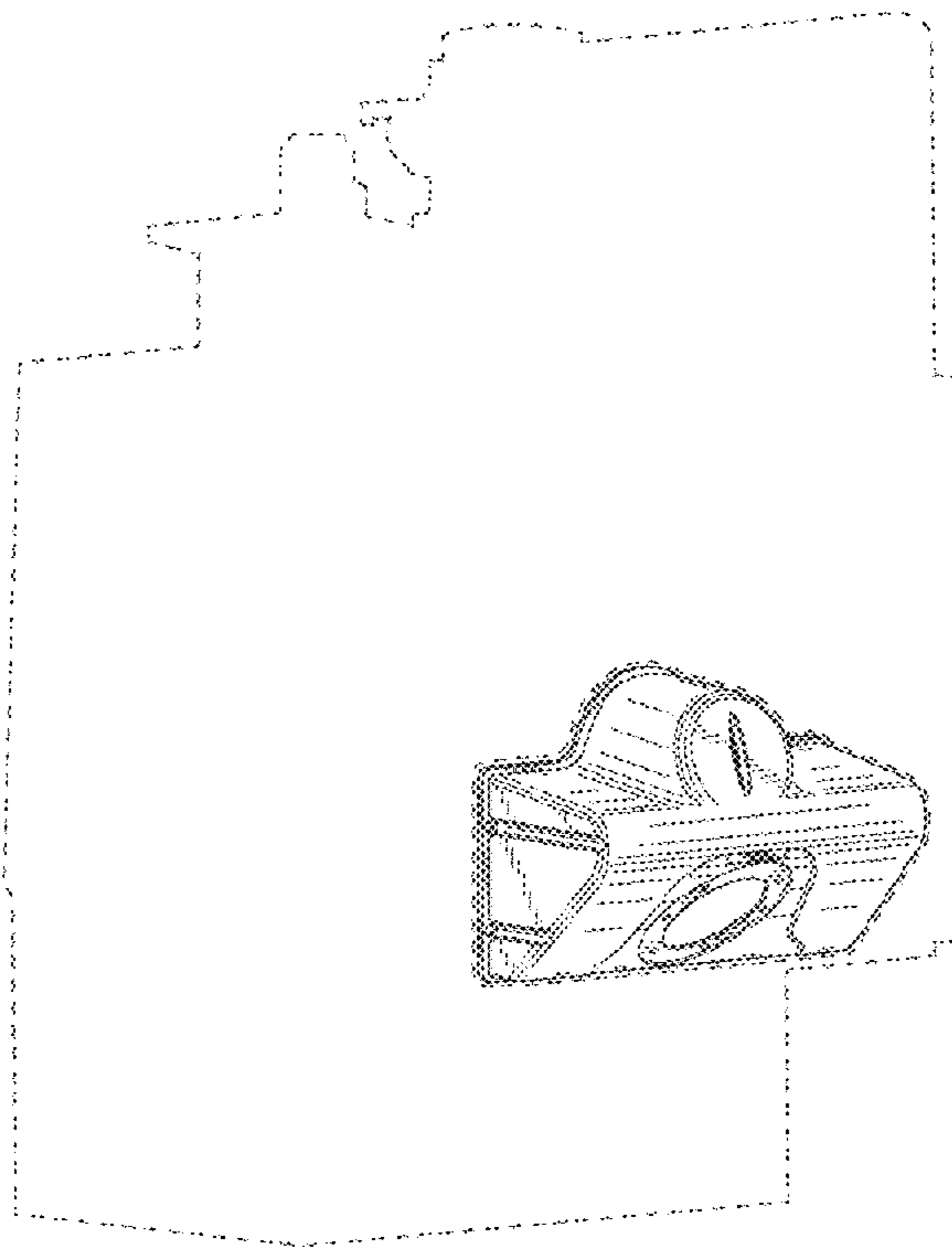
FIG. 5 is a right elevation view thereof; and,

FIG. 6 is a top plan view thereof.

The rear elevation view thereof is not shown and forms no part of the claimed design.

That which is depicted in solid lines in the drawings represent the claimed invention and that which is depicted in phantom or broken lines forms no part of the claimed invention.

1 Claim, 6 Drawing Sheets



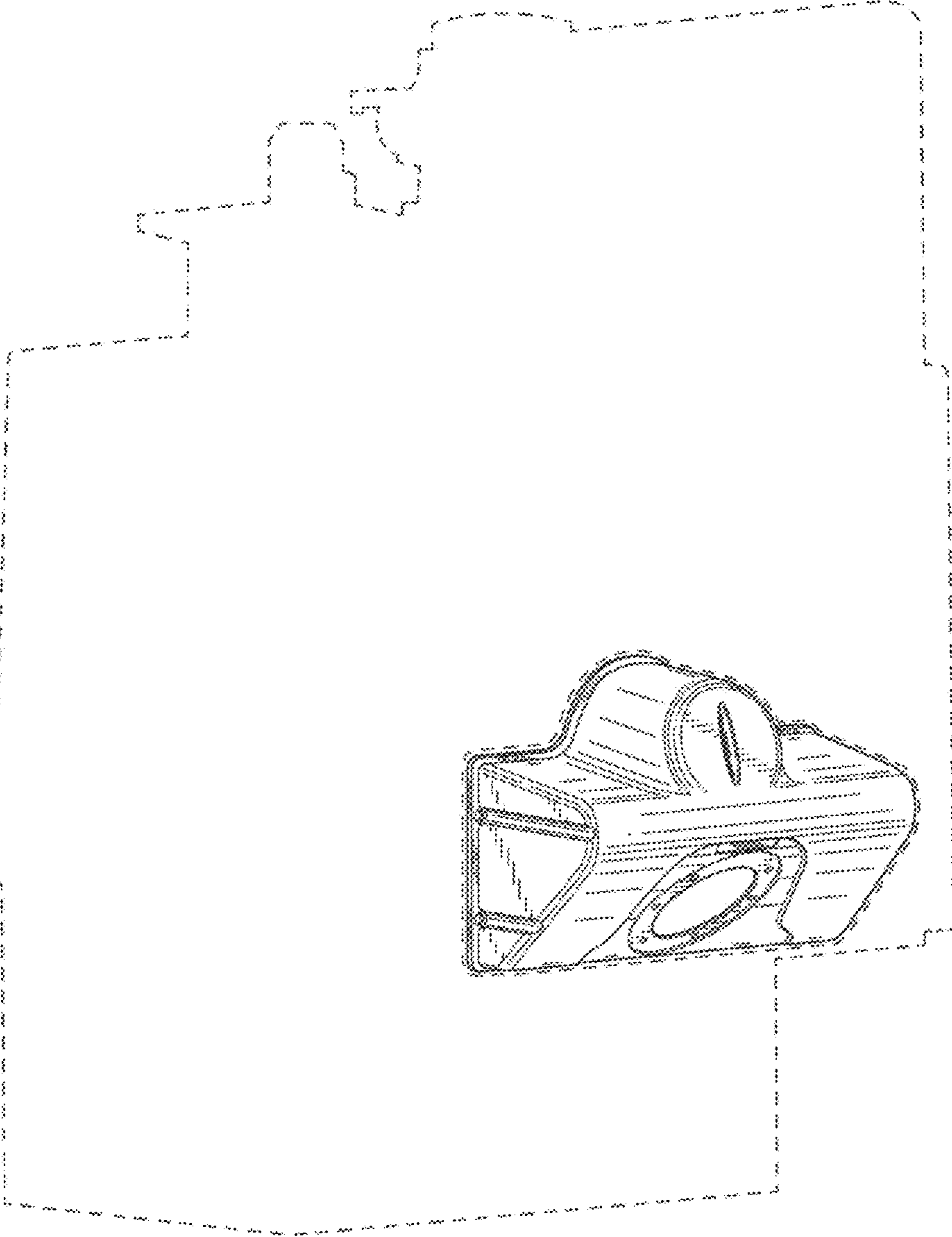


FIG. 1

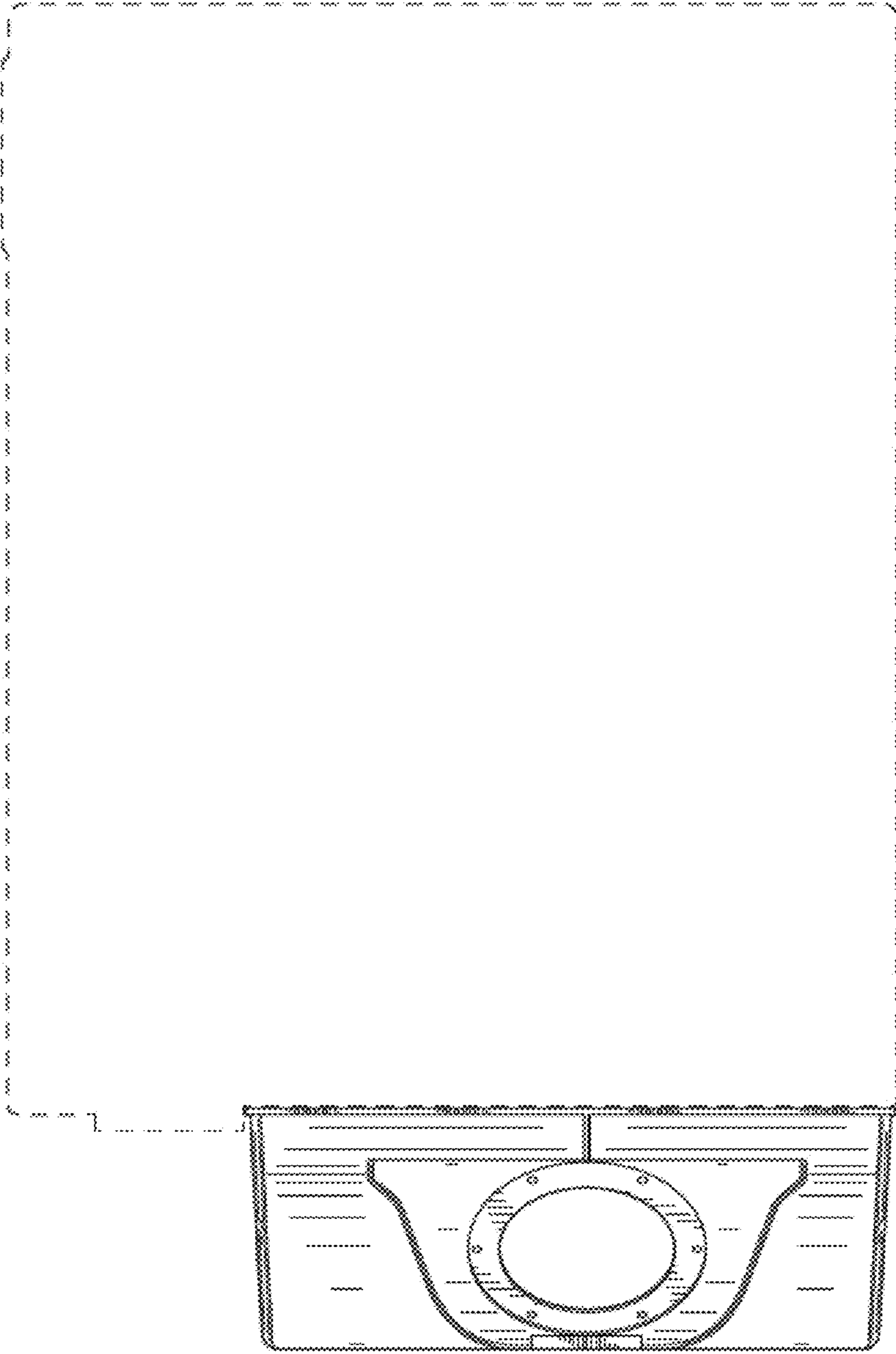


FIG. 2

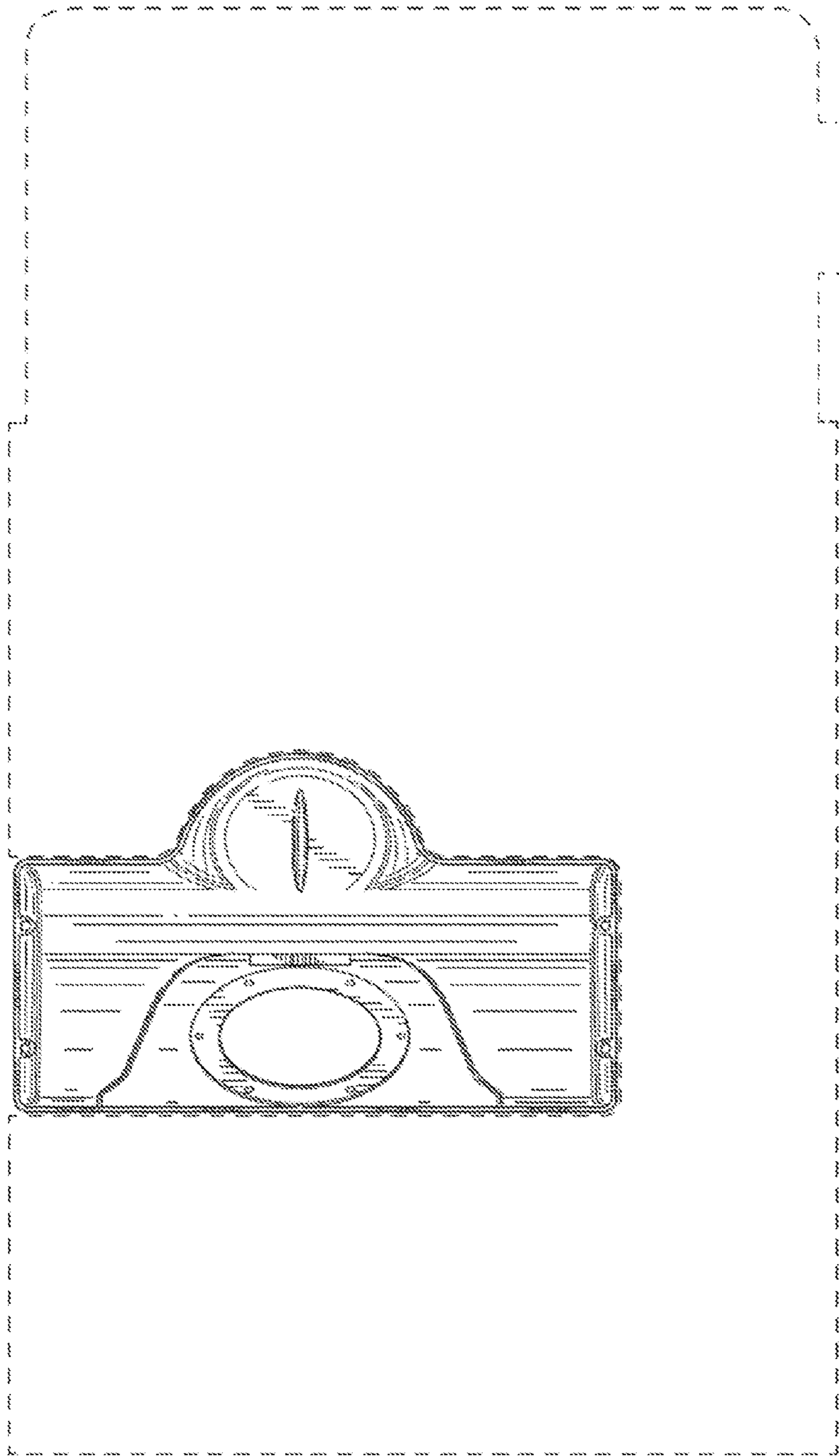


FIG. 3

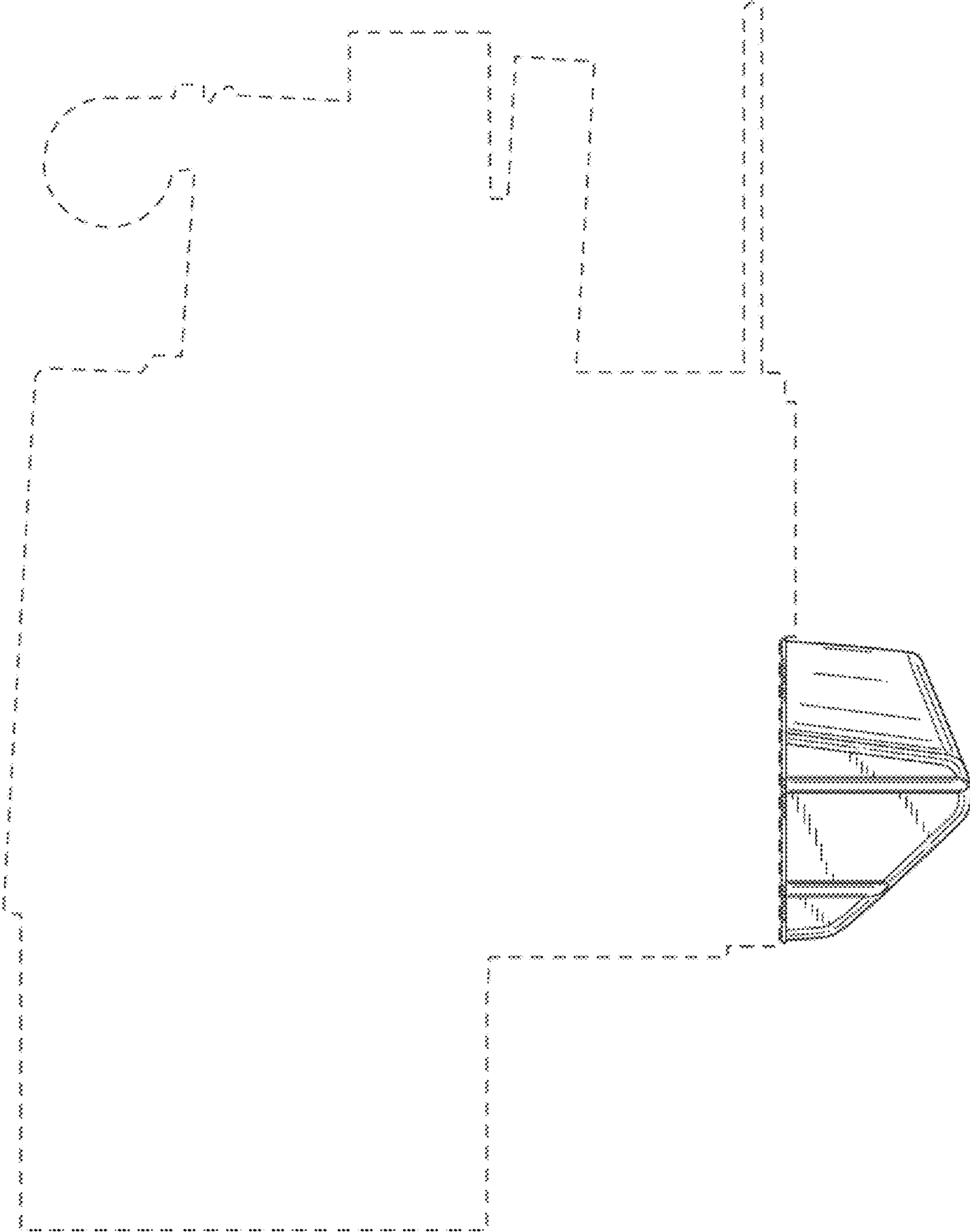


FIG. 4

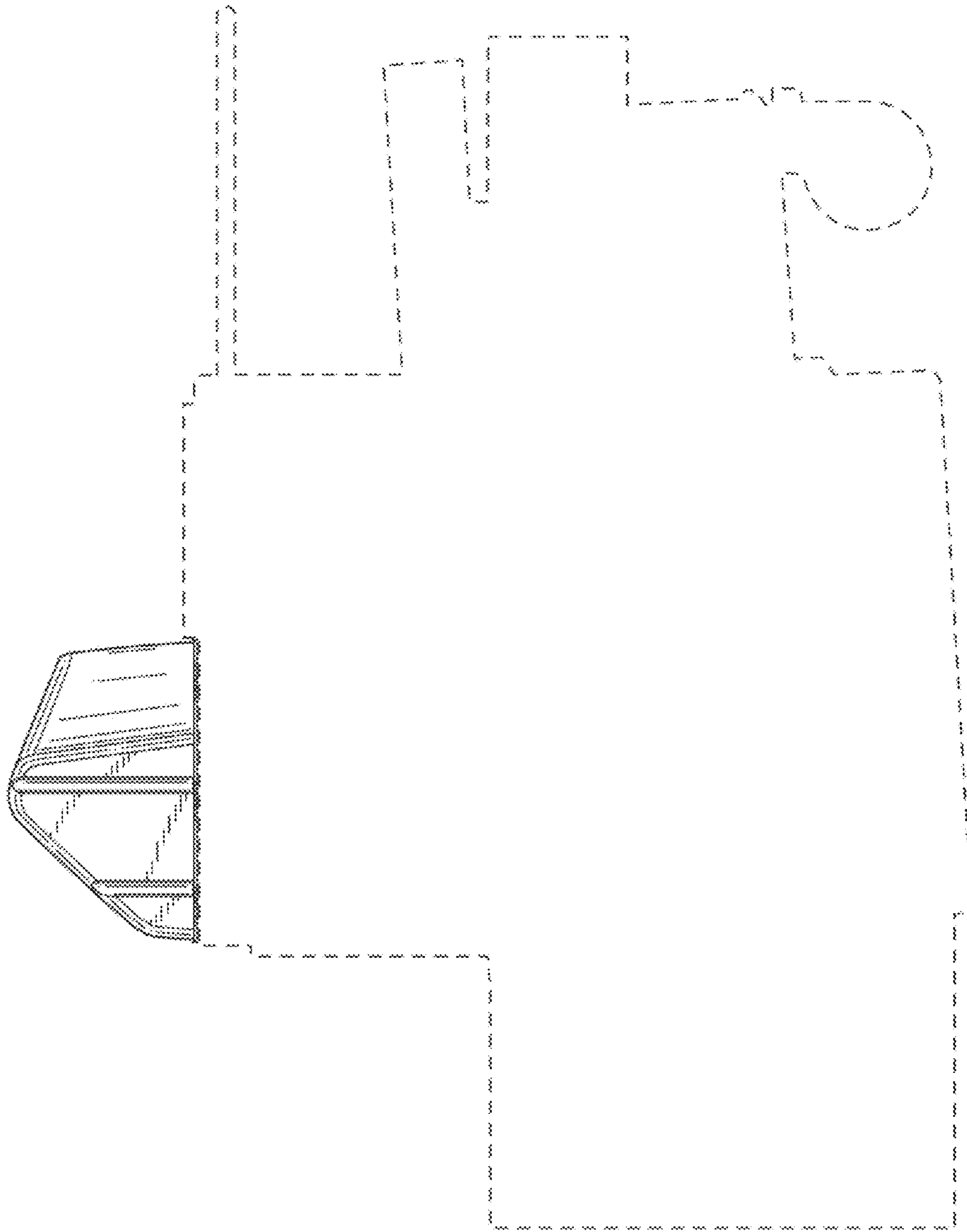


FIG. 5

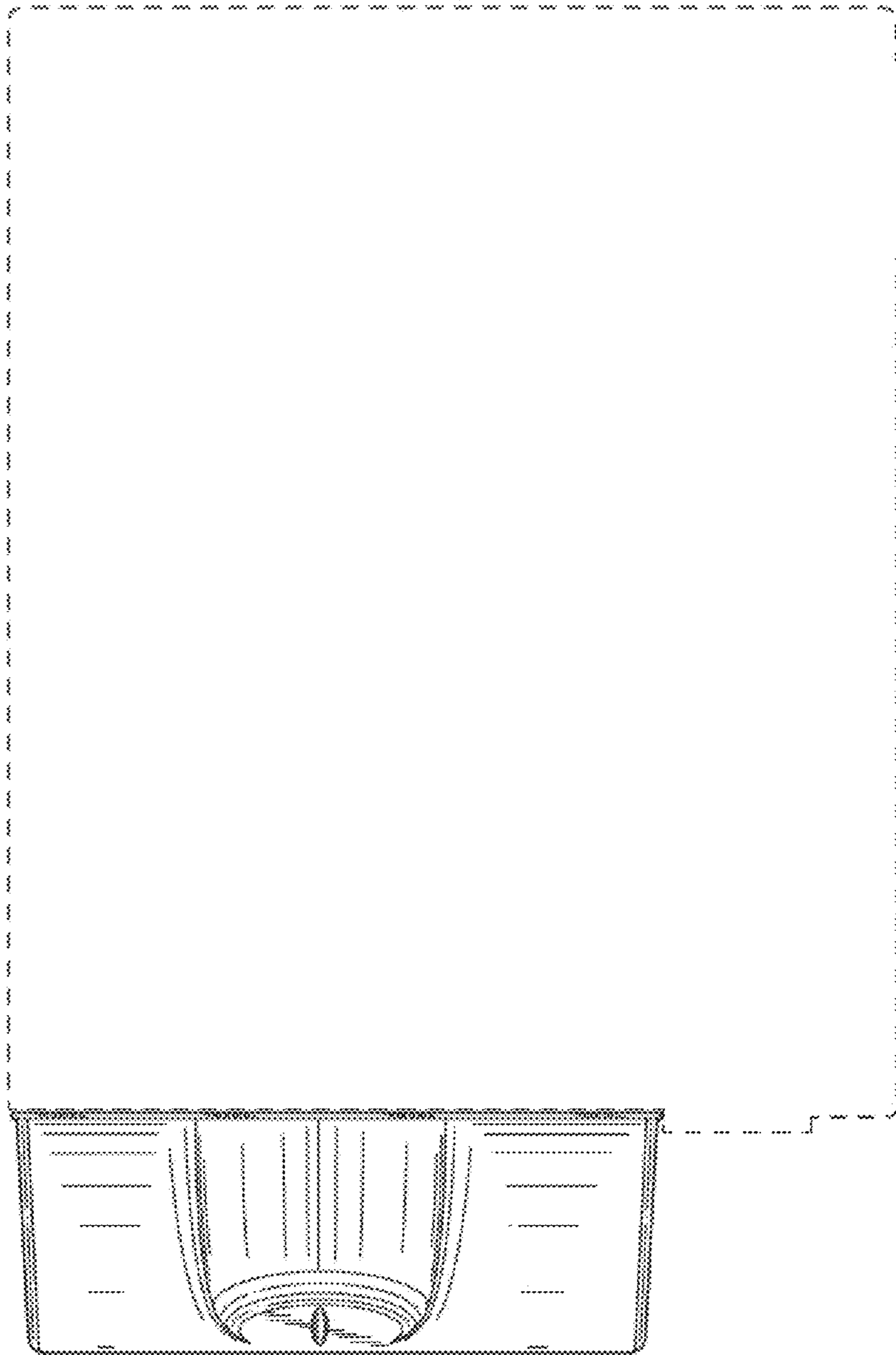


FIG. 6