

US00D737420S

(12) **United States Design Patent**  
**Yeung**

(10) **Patent No.:** **US D737,420 S**

(45) **Date of Patent:** **\*\* Aug. 25, 2015**

(54) **DESK FAN**

(71) Applicant: **Homely Manufacturing Limited**, Hong Kong (HK)

(72) Inventor: **Kui Wong Yeung**, Hong Kong (HK)

(73) Assignee: **HOMELY MANUFACTURING LIMITED**, Hong Kong (HK)

(\*\*) Term: **14 Years**

(21) Appl. No.: **29/501,532**

(22) Filed: **Sep. 5, 2014**

(51) **LOC (10) Cl.** ..... **23-04**

(52) **U.S. Cl.**  
USPC ..... **D23/382**

(58) **Field of Classification Search**  
USPC ..... D23/380–385, 328, 332, 333, 335–337,  
D23/353–369, 370–379, 397, 411, 499;  
392/365–369, 373, 374, 382, 383;  
415/53.1–53.3; 416/62, 63, 100, 244 R,  
416/246, 247 R; 417/200  
CPC ... F04D 25/084; F04D 29/601; F04D 29/388;  
F04D 29/4226

See application file for complete search history.

(56) **References Cited**

**U.S. PATENT DOCUMENTS**

D90,186 S *	6/1933	Arnold	.....	D23/382
D182,209 S *	2/1958	Stanley	.....	D23/412
D272,182 S *	1/1984	Fowler et al.	.....	D23/412
D314,428 S *	2/1991	Wang	.....	D23/378
D316,599 S *	4/1991	Wang	.....	D23/378
D355,483 S *	2/1995	Litvin et al.	.....	D23/378
D391,346 S *	2/1998	Litvin	.....	D23/382

D414,858 S *	10/1999	Litvin et al.	.....	D23/378
D418,218 S *	12/1999	Hsu	.....	D23/412
6,071,079 A *	6/2000	Litvin	.....	416/247 R
D459,467 S *	6/2002	Wilson, Jr.	.....	D23/412
6,454,537 B1 *	9/2002	Perella et al.	.....	416/247 R
D480,130 S *	9/2003	Bucher et al.	.....	D23/378
D482,770 S *	11/2003	Bucher et al.	.....	D23/378
D507,828 S *	7/2005	Lee	.....	D23/378
D511,570 S *	11/2005	Ke	.....	D23/378
D681,795 S *	5/2013	Huang	.....	D23/378
2003/0049132 A1 *	3/2003	Perella et al.	.....	416/247 R
2004/0037704 A1 *	2/2004	Cichetti et al.	.....	416/246

**OTHER PUBLICATIONS**

Orbit Fan Search (Design—© Questel). orbit.com [online Pdf] 55 pages. Uploaded range 1999-2014 [retrieved on Dec. 18, 2014]. Retrieved from Internet < <http://standard.www7.orbit.com> >.\*

\* cited by examiner

*Primary Examiner* — Susan Bennett Hattan

*Assistant Examiner* — Marie Fast Horse

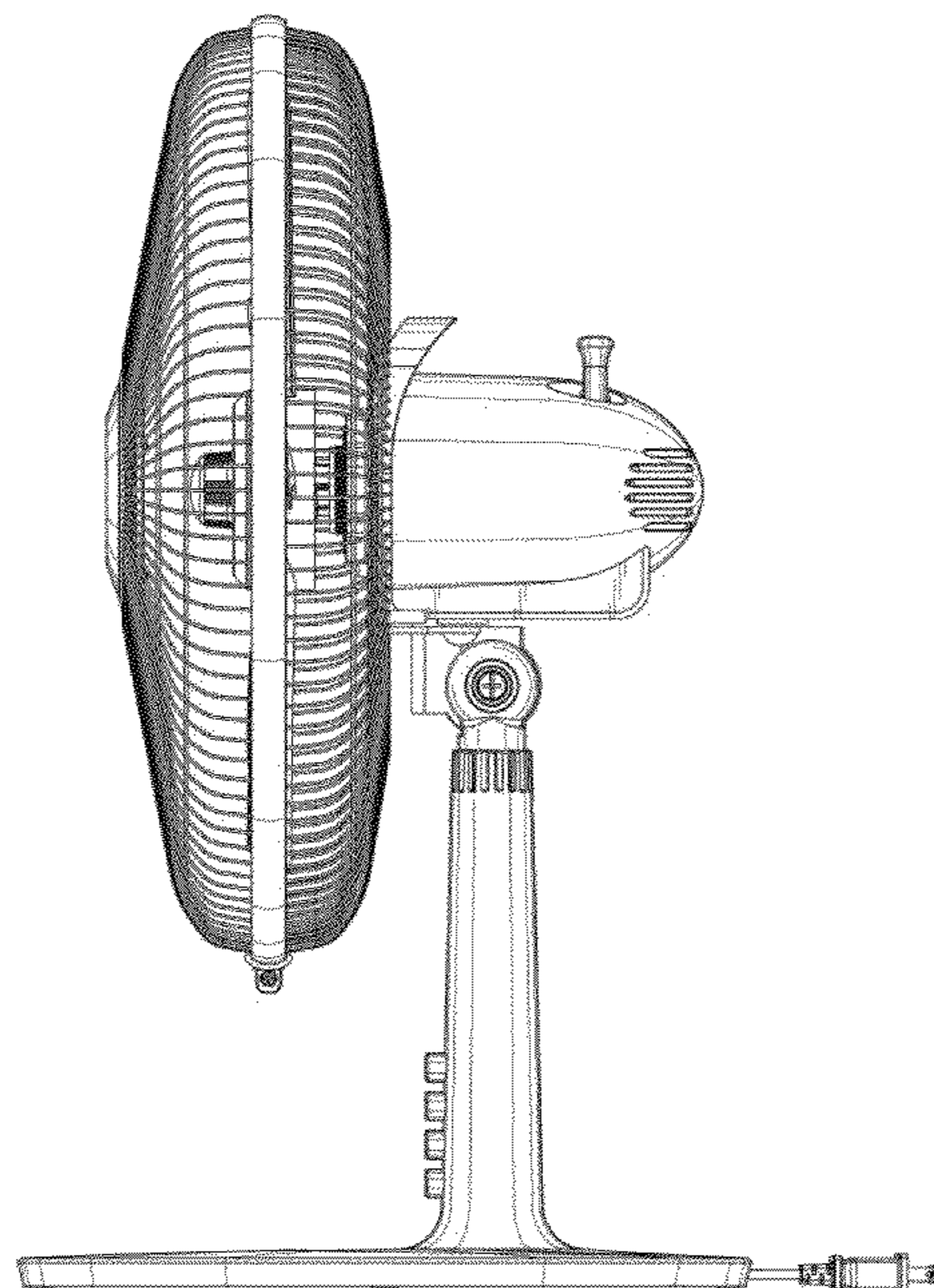
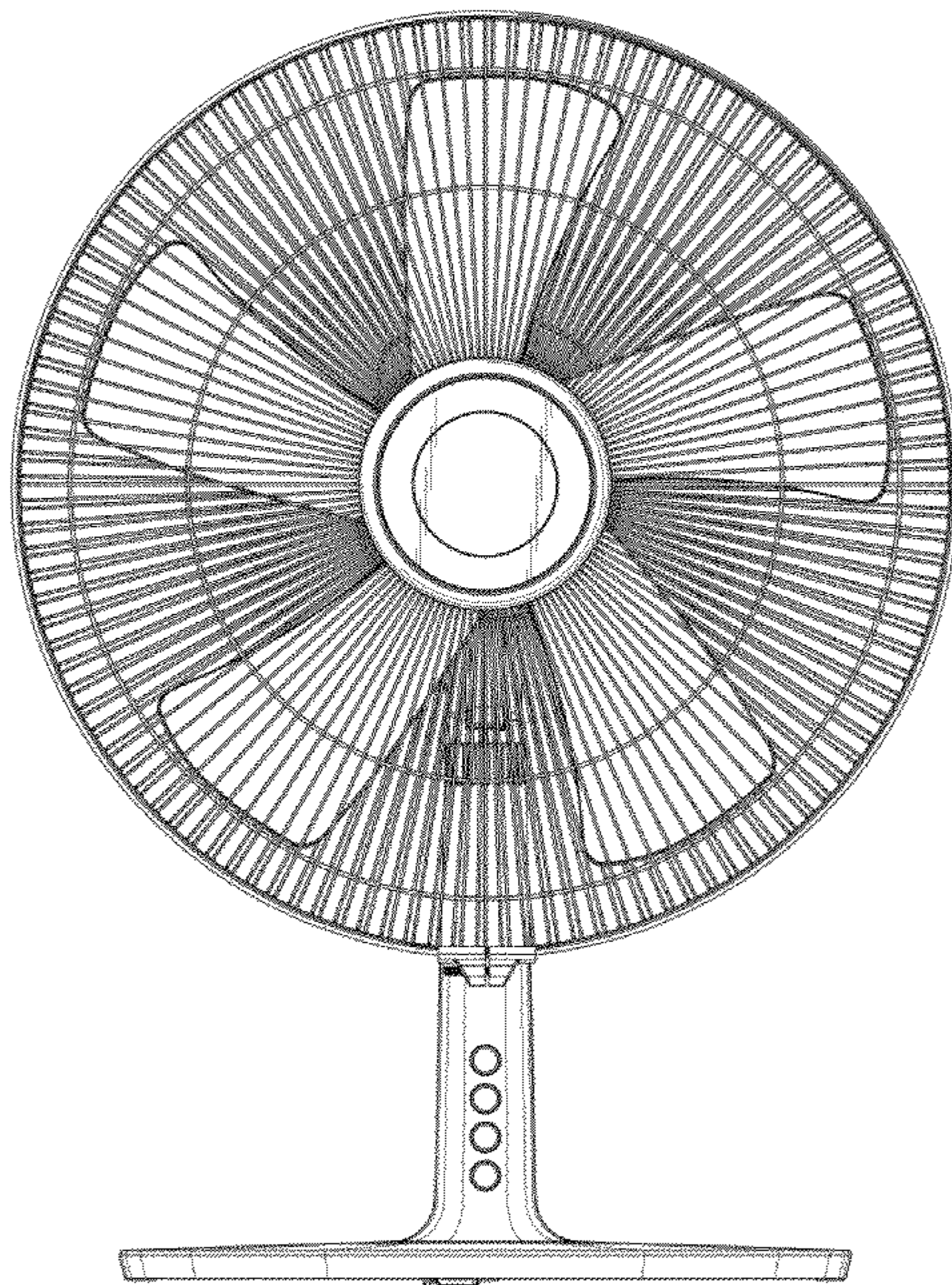
(57) **CLAIM**

The ornamental design for a desk fan, as shown and described.

**DESCRIPTION**

FIG. 1 is a front elevational view of a desk fan showing my new design;  
FIG. 2 is a rear elevational view thereof;  
FIG. 3 is a left side view thereof;  
FIG. 4 is a right side view thereof;  
FIG. 5 is a top plan view thereof; and,  
FIG. 6 is a bottom plan view thereof.  
The broken lines in FIGS. 5 and 6 depict the parts of the desk fan with ribs that form no part of the claim.

**1 Claim, 6 Drawing Sheets**



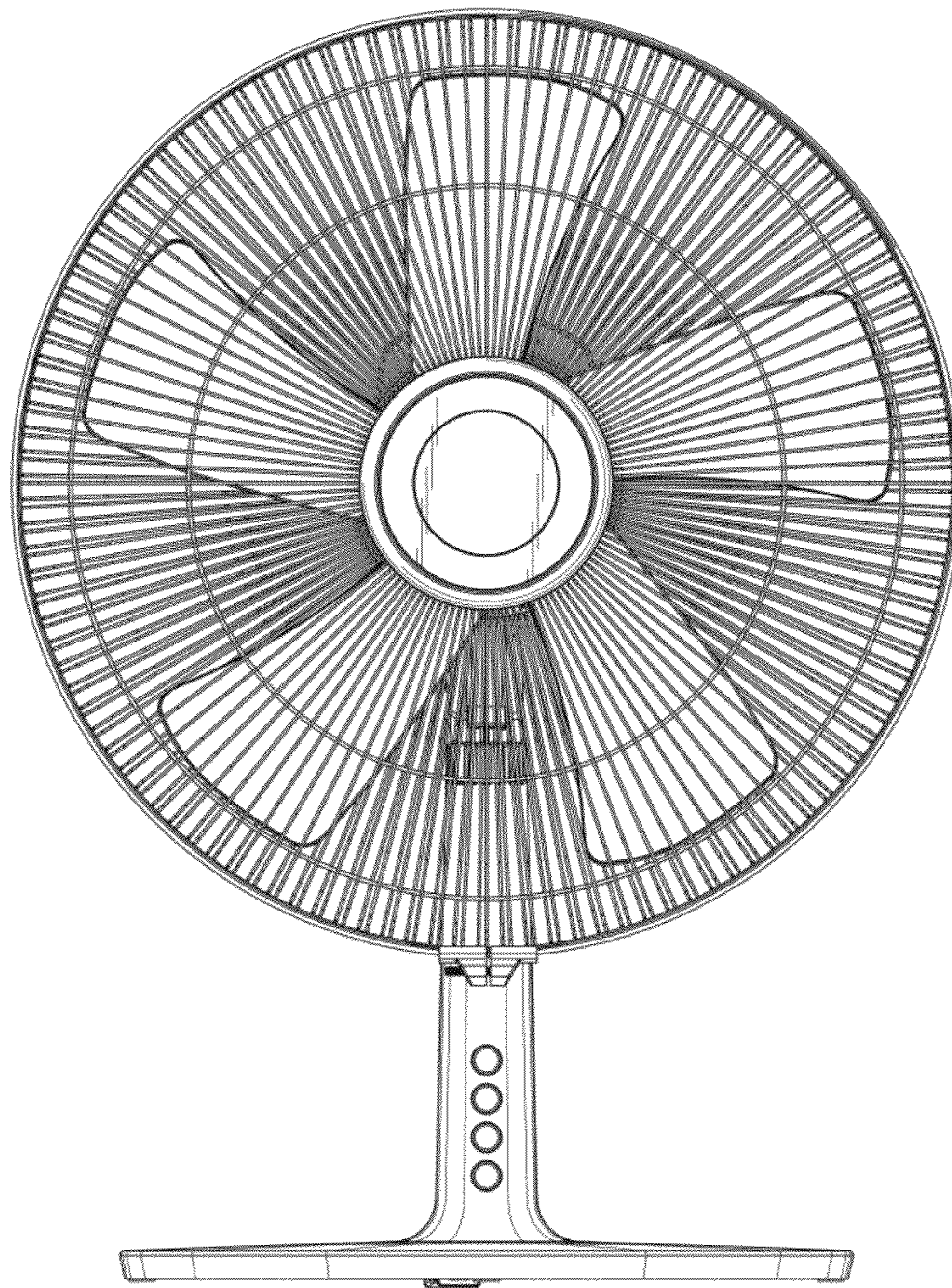


FIG. 1

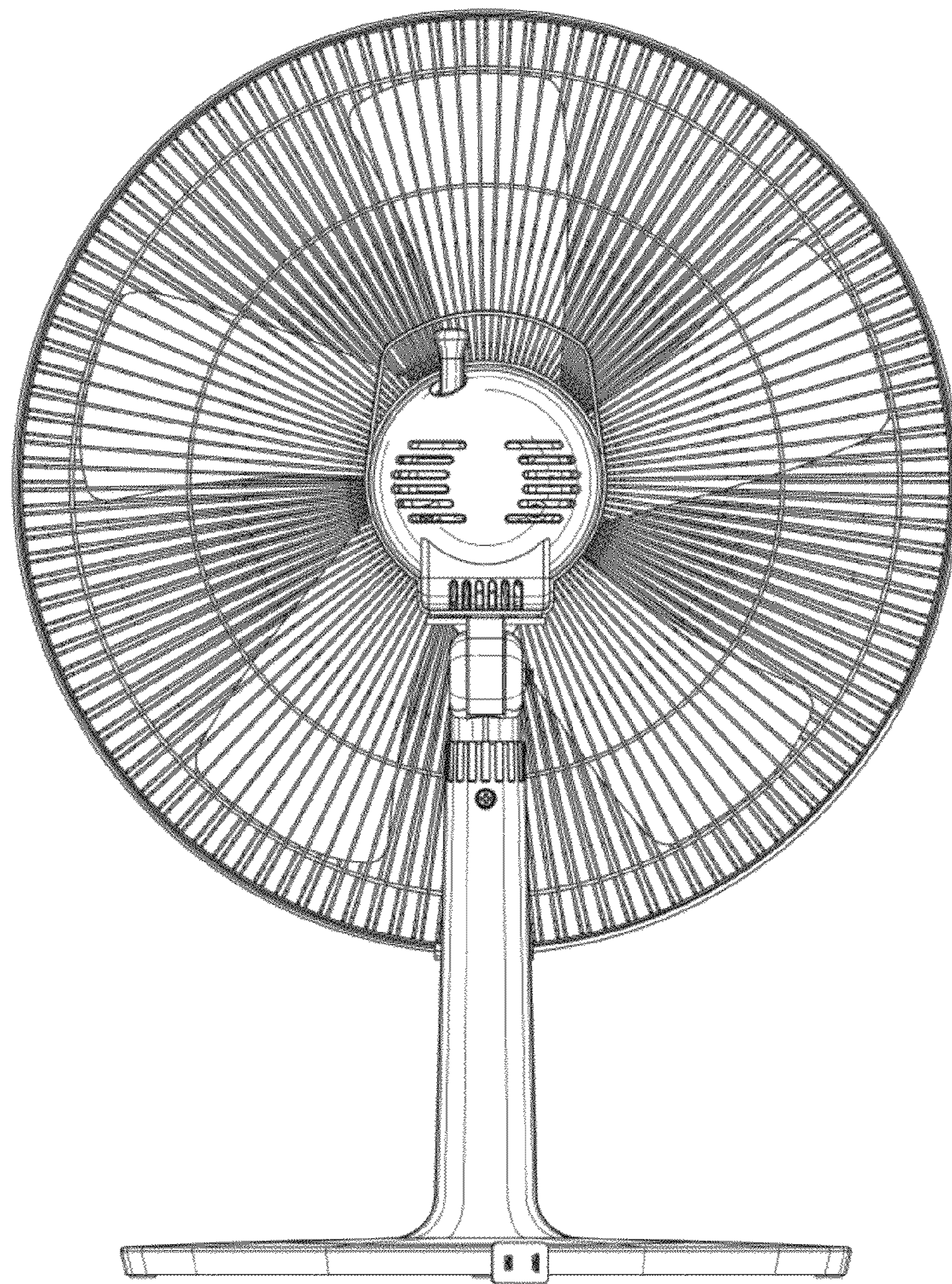


FIG. 2

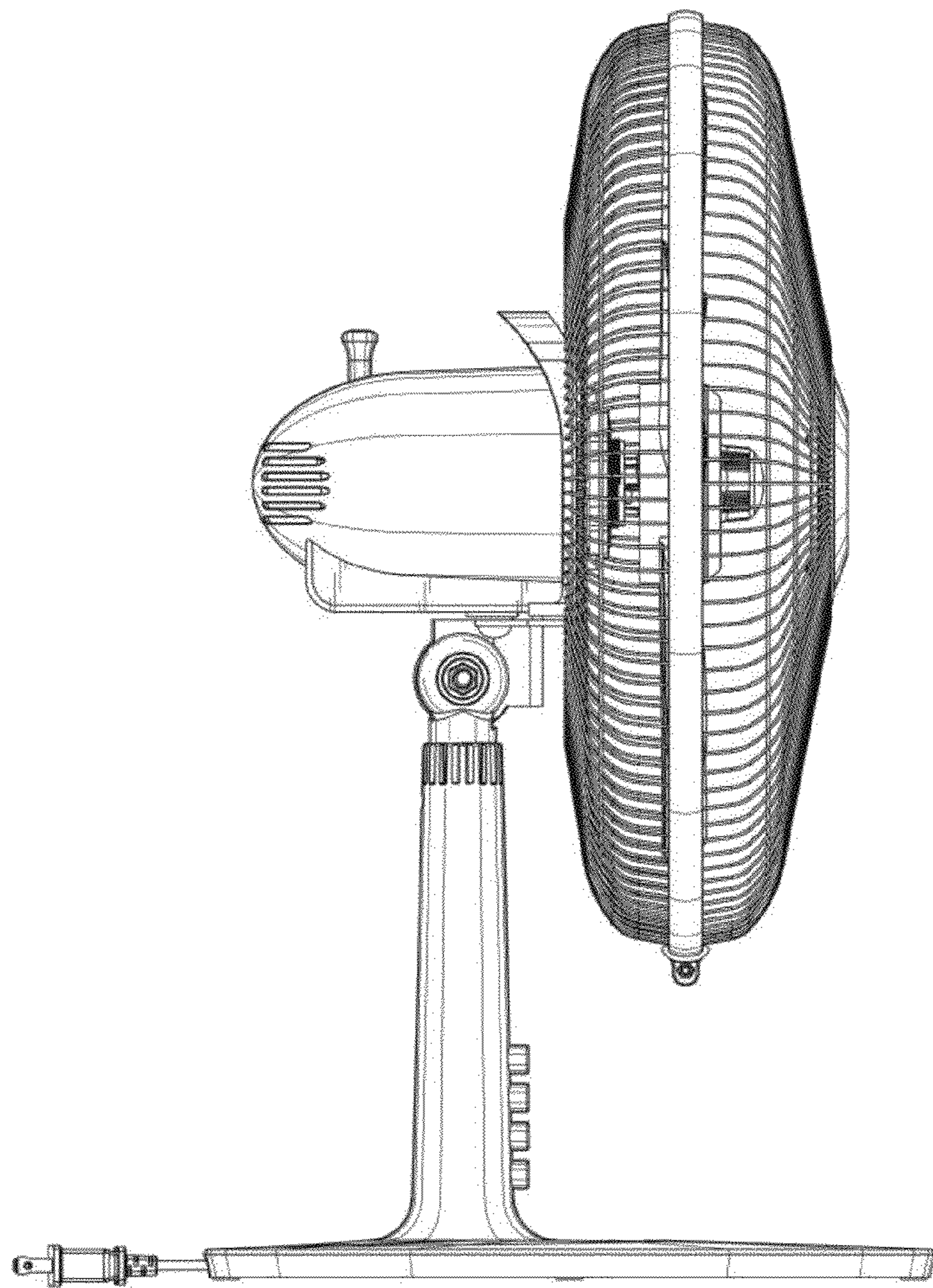


FIG. 3

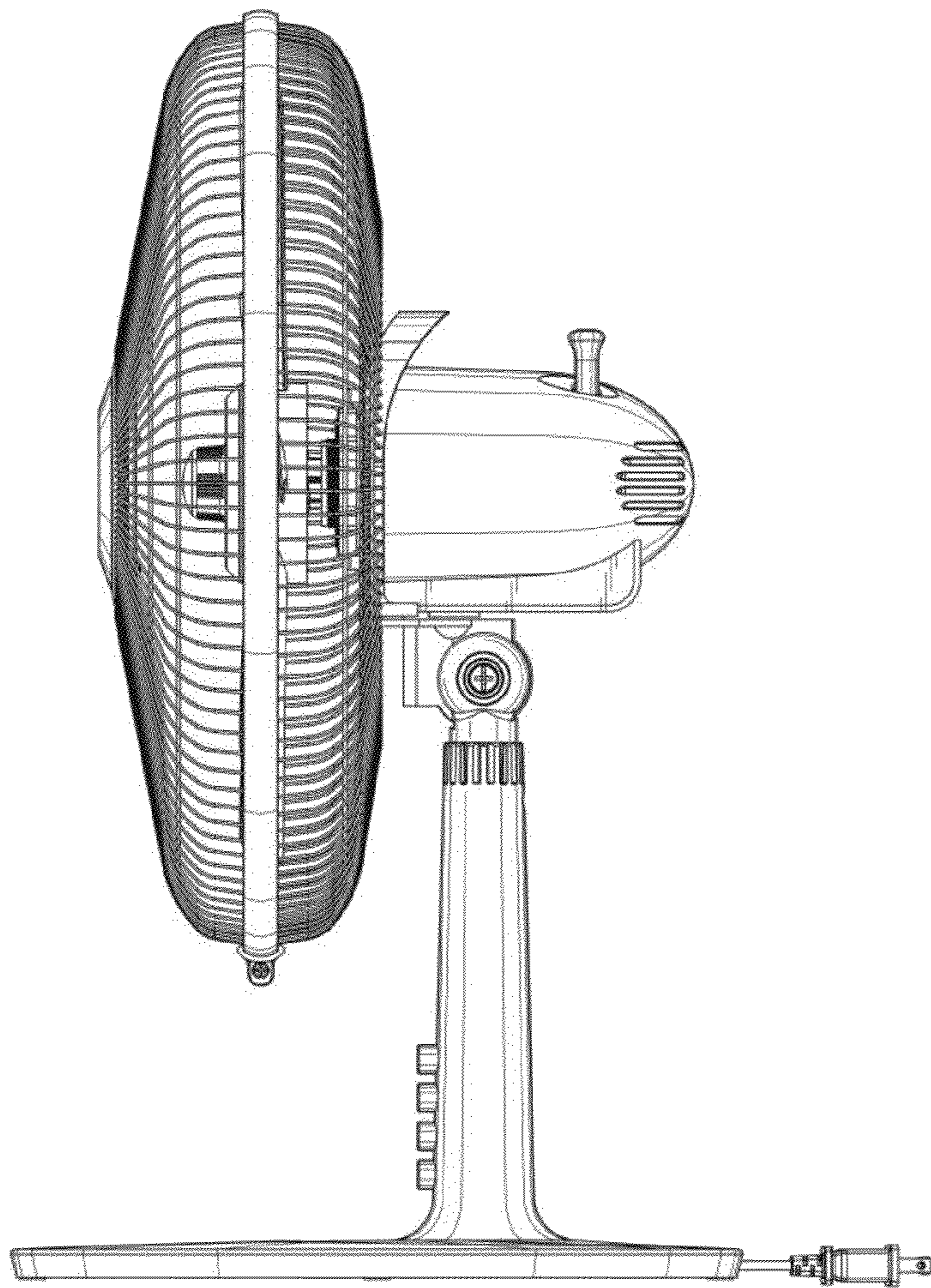


FIG. 4

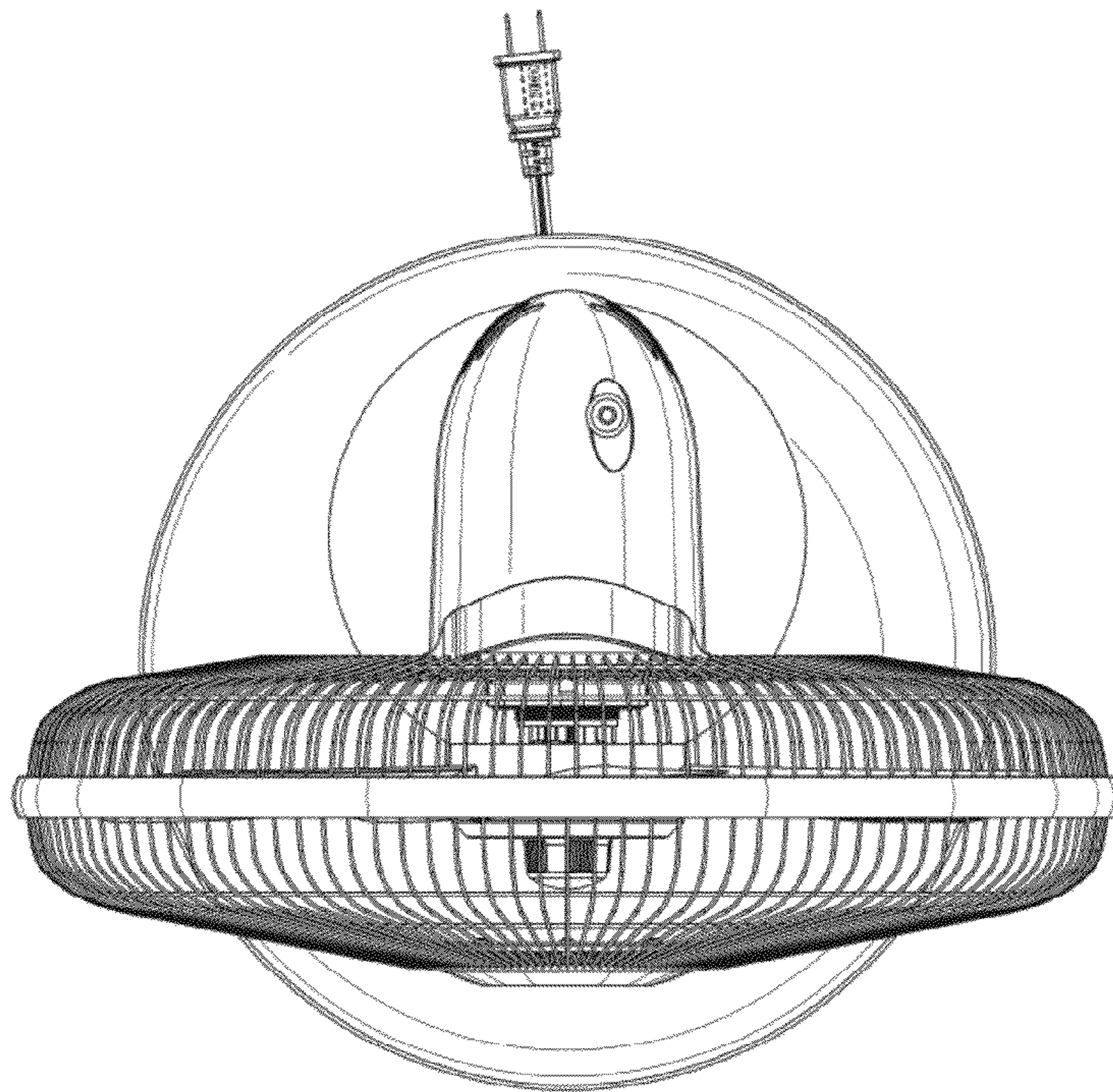


FIG. 5

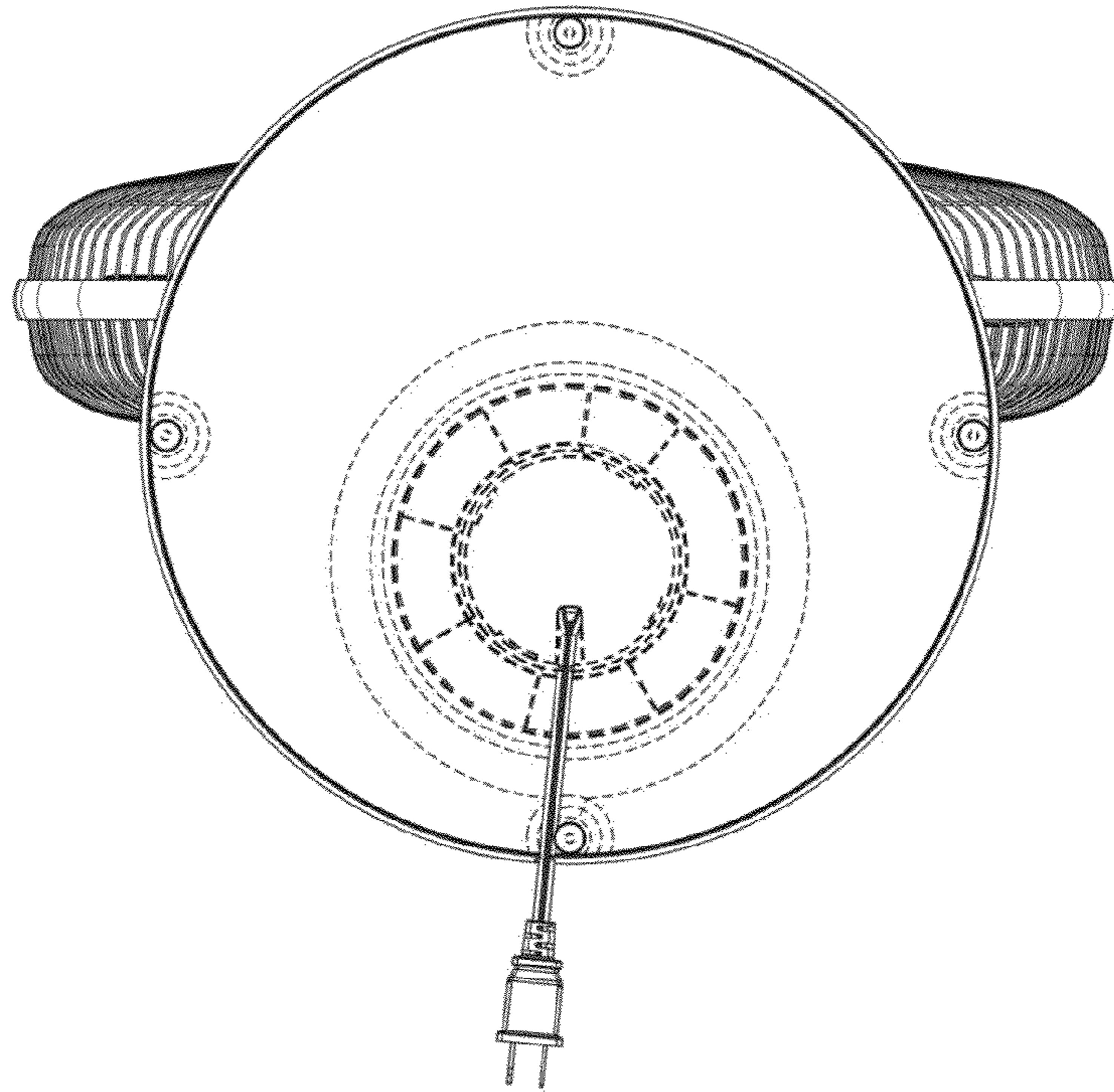


FIG. 6