



US00D737417S

(12) **United States Design Patent**
Tronza et al.

(10) **Patent No.:** **US D737,417 S**

(45) **Date of Patent:** **** Aug. 25, 2015**

(54) **HAND WASHING DEVICE**

(71) Applicant: **Smixin AG**, Biel (CH)

(72) Inventors: **Mario Tronza**, Basel (CH); **Andrew Hirniak**, Zurich (CH)

(73) Assignee: **SMIXIN AG**, Biel (CH)

(**) Term: **14 Years**

(21) Appl. No.: **29/486,799**

(22) Filed: **Apr. 2, 2014**

(30) **Foreign Application Priority Data**

Oct. 3, 2013 (WO) DM/082 694

(51) **LOC (10) Cl.** **23-02**

(52) **U.S. Cl.**
USPC **D23/286**

(58) **Field of Classification Search**
USPC D23/286, 272–274, 284, 291–292, 303,
D23/308; 4/630, 638, 643; D24/234, 177;
D6/655, 633, 671, 671.3, 640;
312/227–228

See application file for complete search history.

(56) **References Cited**

U.S. PATENT DOCUMENTS

D119,297 S *	3/1940	Bales	D23/291
D119,300 S *	3/1940	Bales	D23/291
D241,747 S *	10/1976	King	D6/421
D344,830 S *	3/1994	Carter et al.	D23/271
D544,071 S *	6/2007	Teuscher et al.	D23/286
D589,600 S *	3/2009	Tsay et al.	D23/286

* cited by examiner

Primary Examiner — Robert Delehanty

(74) *Attorney, Agent, or Firm* — Rankin, Hill & Clark LLP

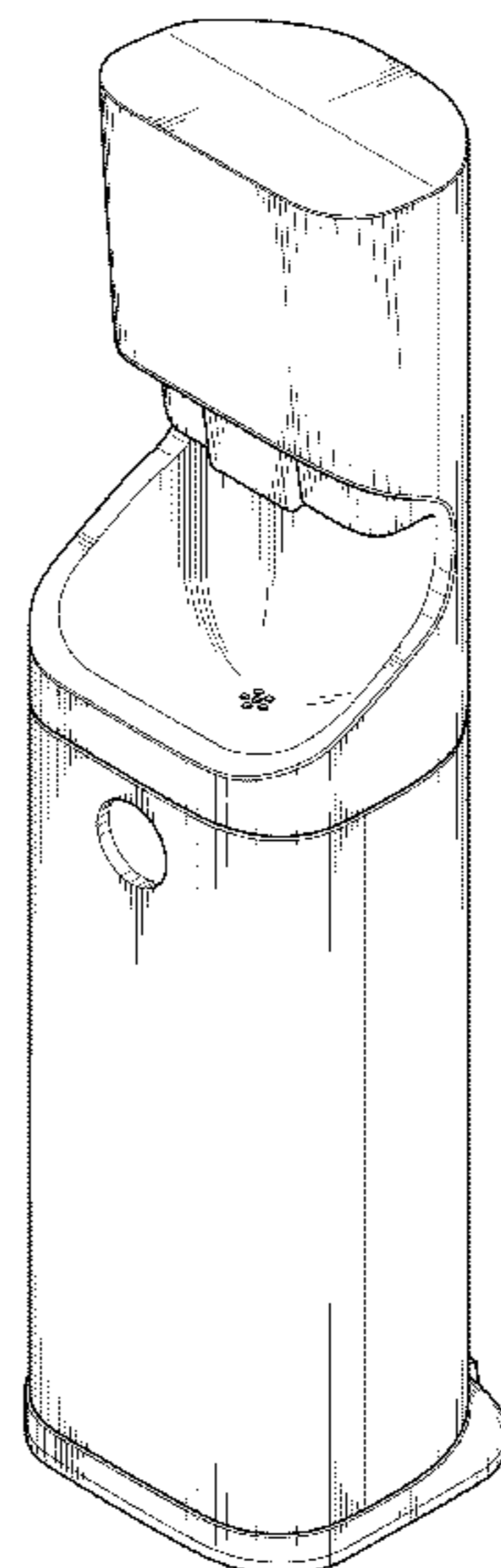
(57) **CLAIM**

The ornamental design for a hand washing device, as shown and described.

DESCRIPTION

FIG. 1 is a left side elevational view of a first embodiment of a hand washing device embodying the design;
 FIG. 2 is a front view of the first embodiment of the hand washing device shown in FIG. 1;
 FIG. 3 is a right side elevational view of the first embodiment of the hand washing device shown in FIG. 1;
 FIG. 4 is a rear view of the first embodiment of the hand washing device shown in FIG. 1;
 FIG. 5 is a first perspective view of the first embodiment of the hand washing device shown in FIG. 1;
 FIG. 6 is a second perspective view of the first embodiment of the hand washing device shown in FIG. 1;
 FIG. 7 is a top view of the of the first embodiment of the hand washing device shown in FIG. 1;
 FIG. 8 is a bottom view of the of the first embodiment of the hand washing device shown in FIG. 1;
 FIG. 9 is a left side elevational view of a second embodiment of a hand washing device embodying the design;
 FIG. 10 is a front view of the second embodiment of the hand washing device shown in FIG. 9;
 FIG. 11 is a right side elevational view of the second embodiment of the hand washing device shown in FIG. 9;
 FIG. 12 is a rear view of the second embodiment of the hand washing device shown in FIG. 9;
 FIG. 13 is a first perspective view of the second embodiment of the hand washing device shown in FIG. 9;
 FIG. 14 is a second perspective view of the second embodiment of the hand washing device shown in FIG. 9;
 FIG. 15 is a top view of the of the second embodiment of the hand washing device shown in FIG. 9; and,
 FIG. 16 is a bottom view of the of the second embodiment of the hand washing device shown in FIG. 9.

1 Claim, 14 Drawing Sheets



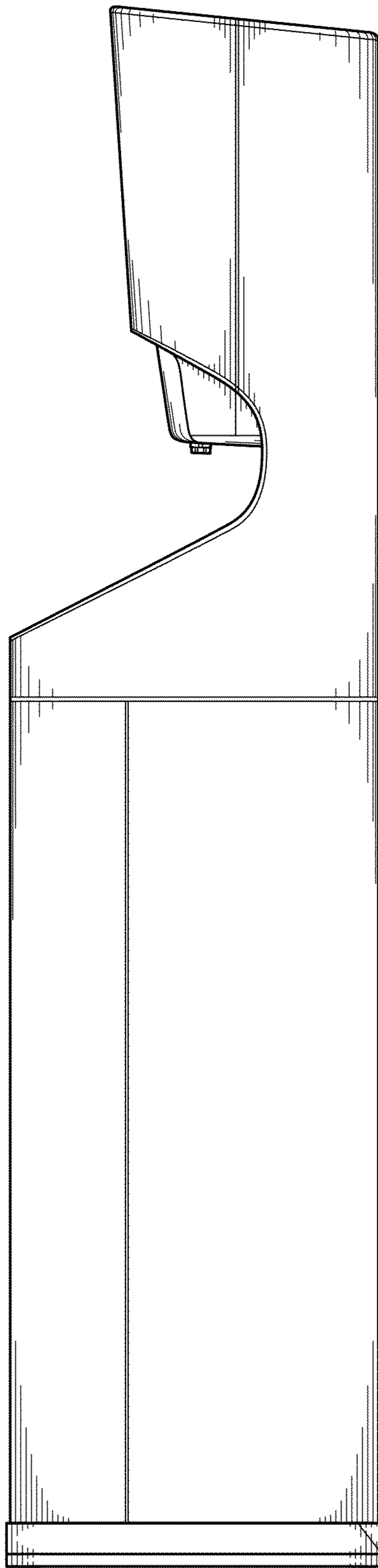


FIG. 1

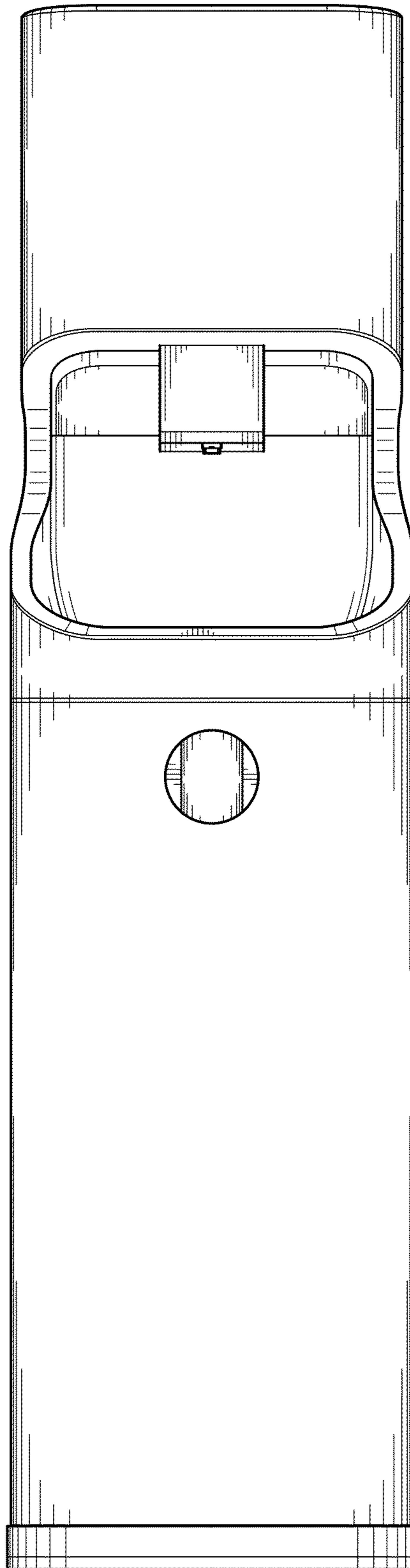


FIG. 2

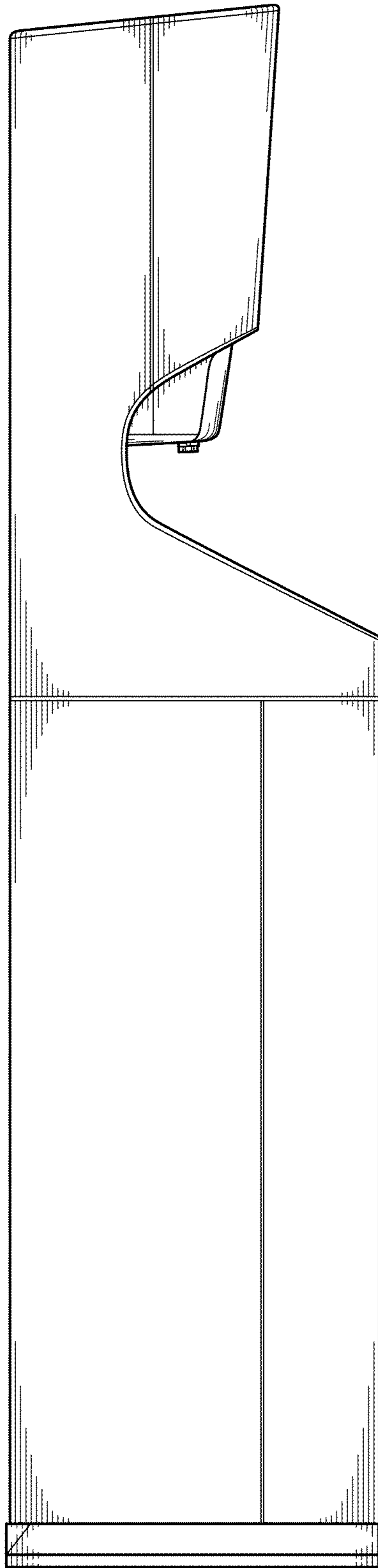


FIG. 3

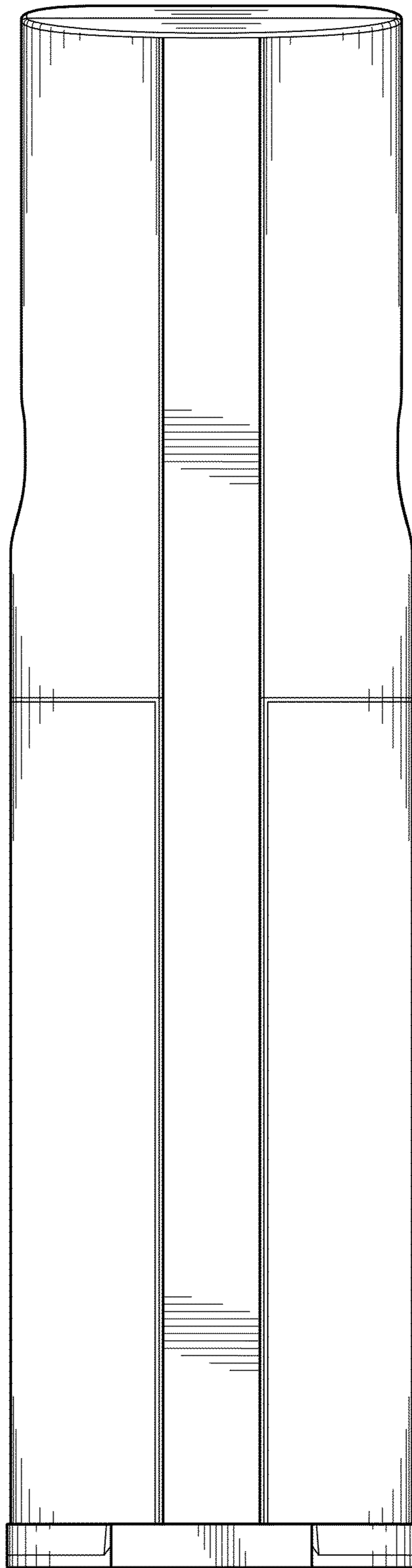


FIG. 4

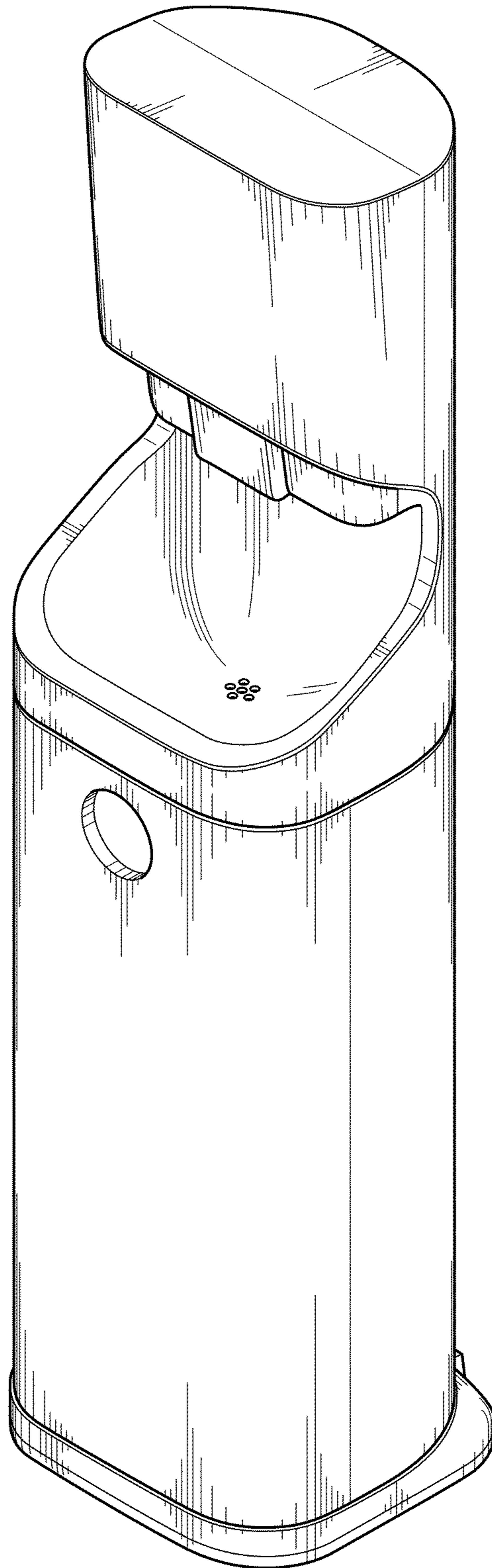


FIG. 5

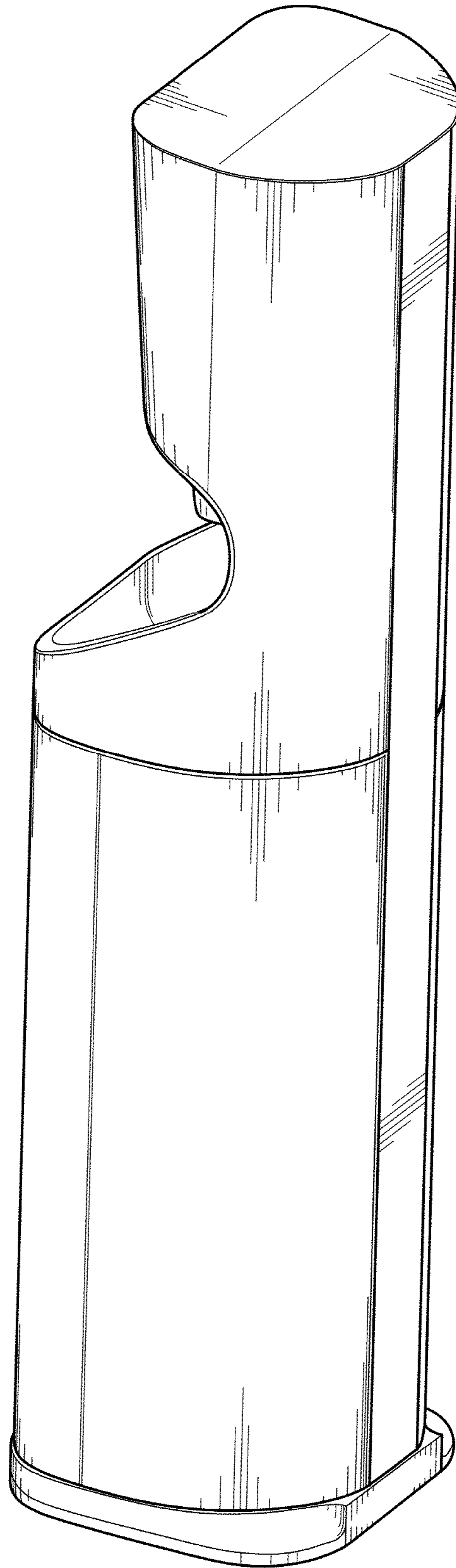


FIG. 6

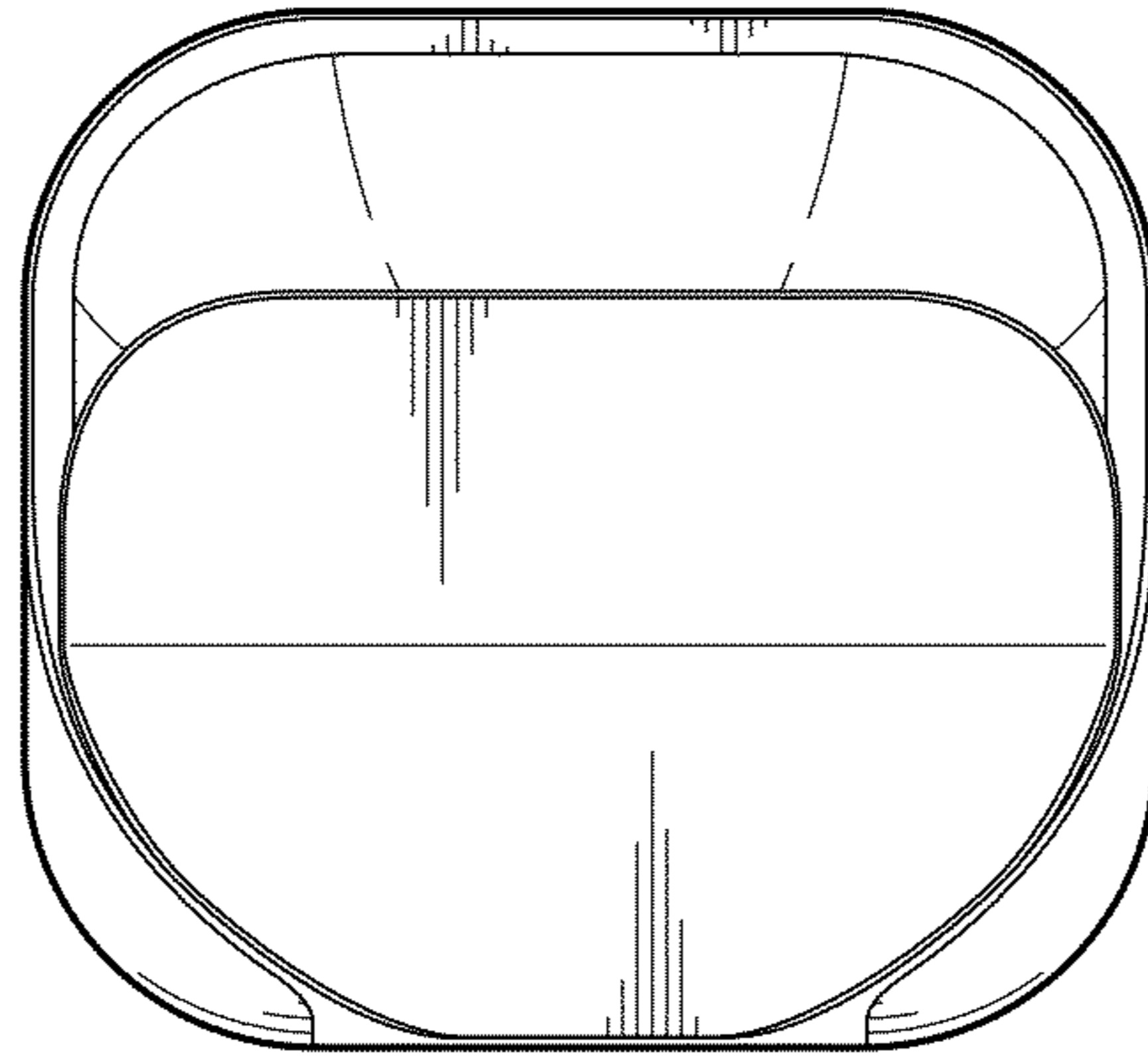


FIG. 7

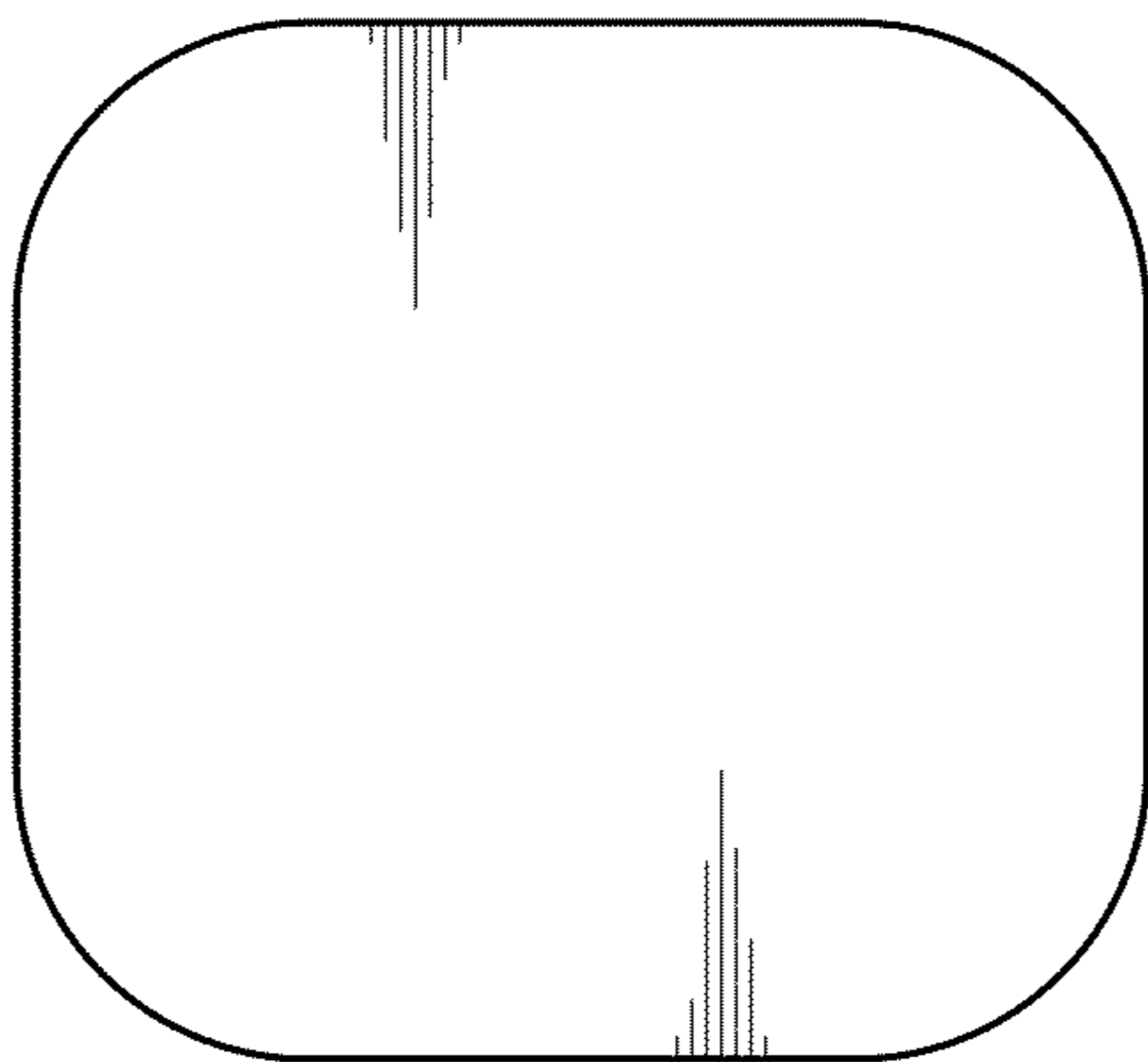


FIG. 8

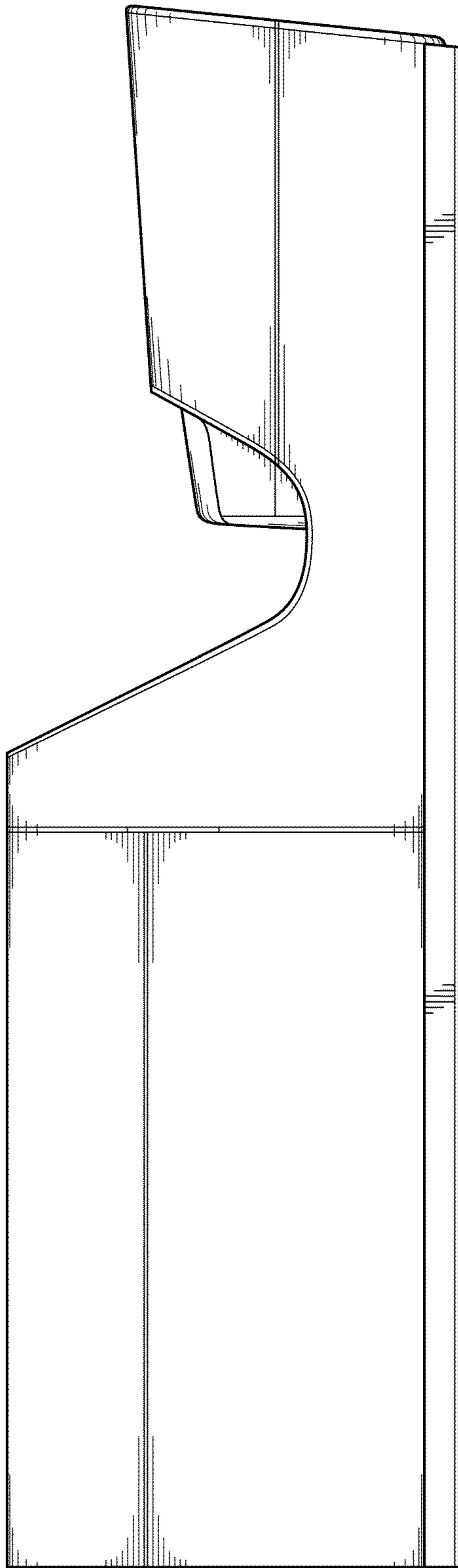


FIG. 9

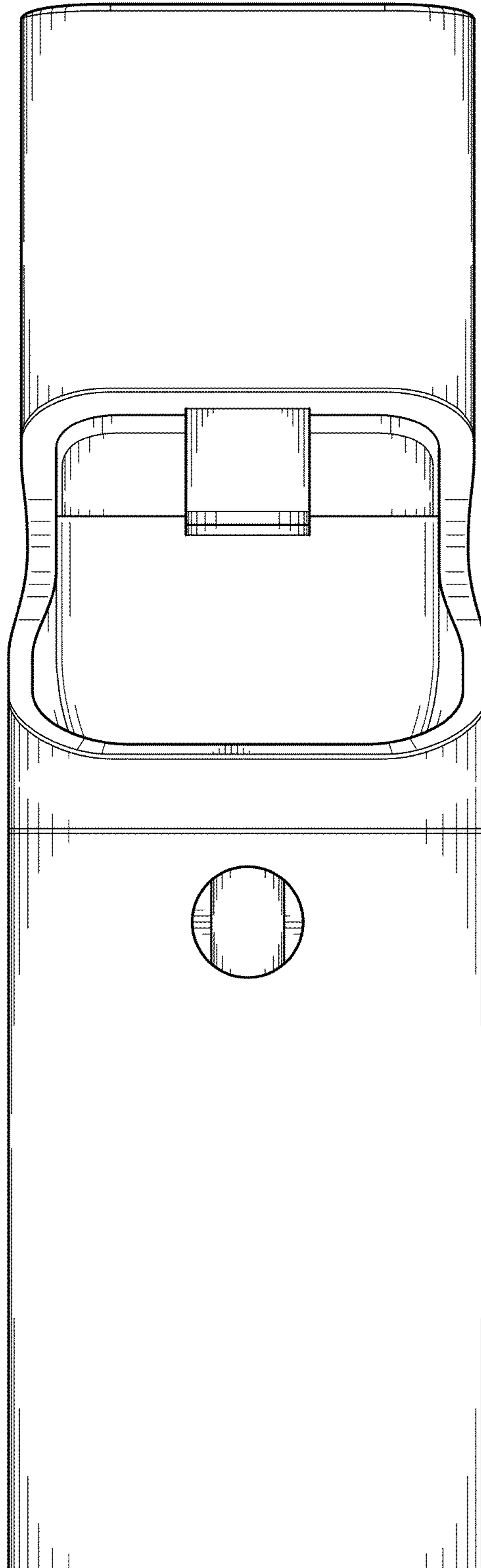


FIG. 10

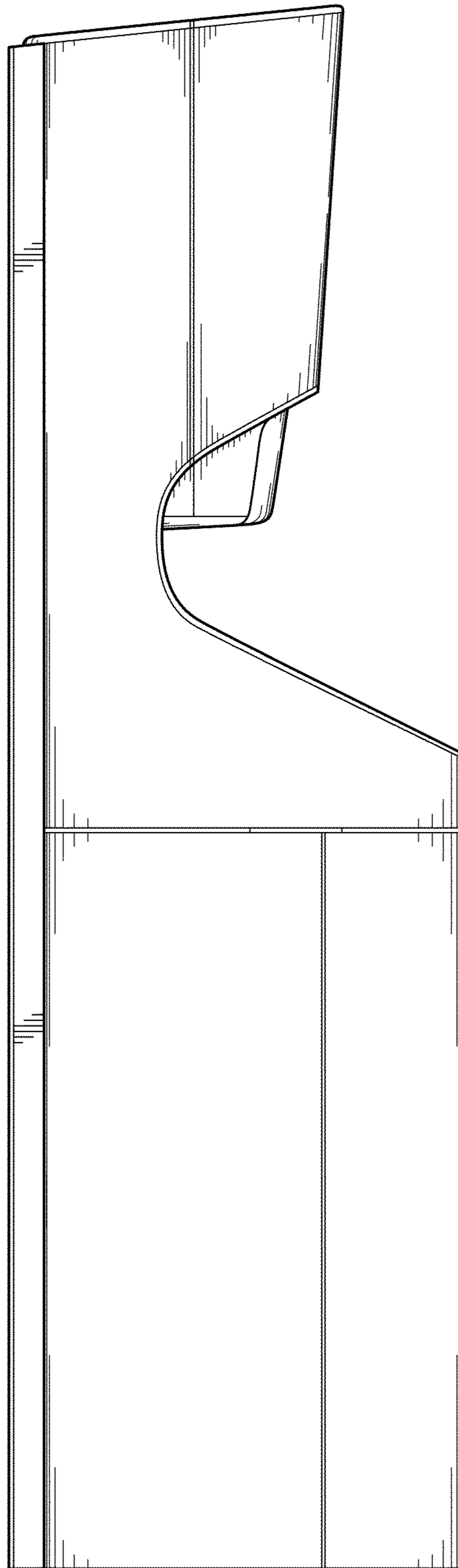


FIG. 11

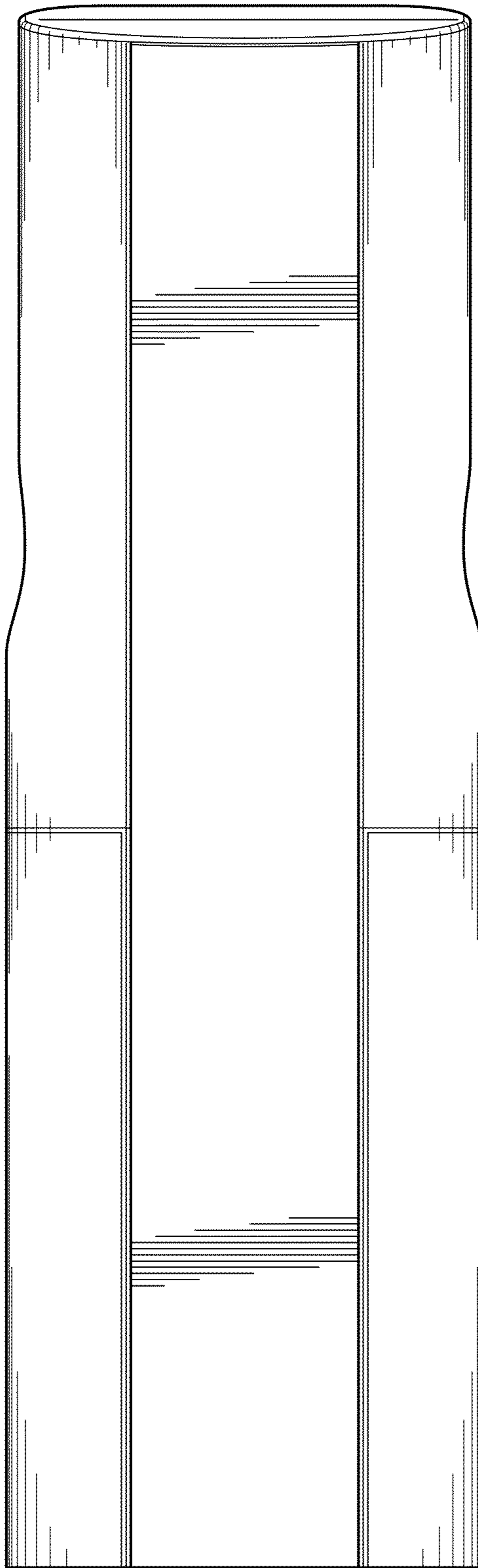


FIG. 12

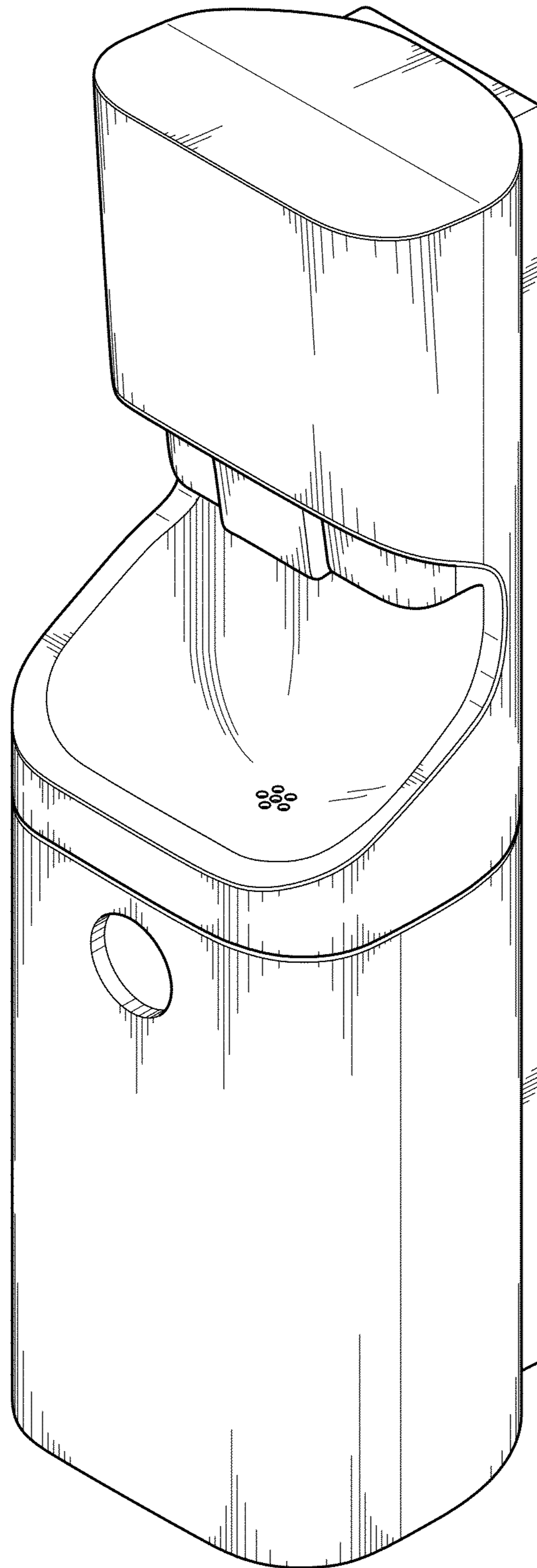


FIG. 13

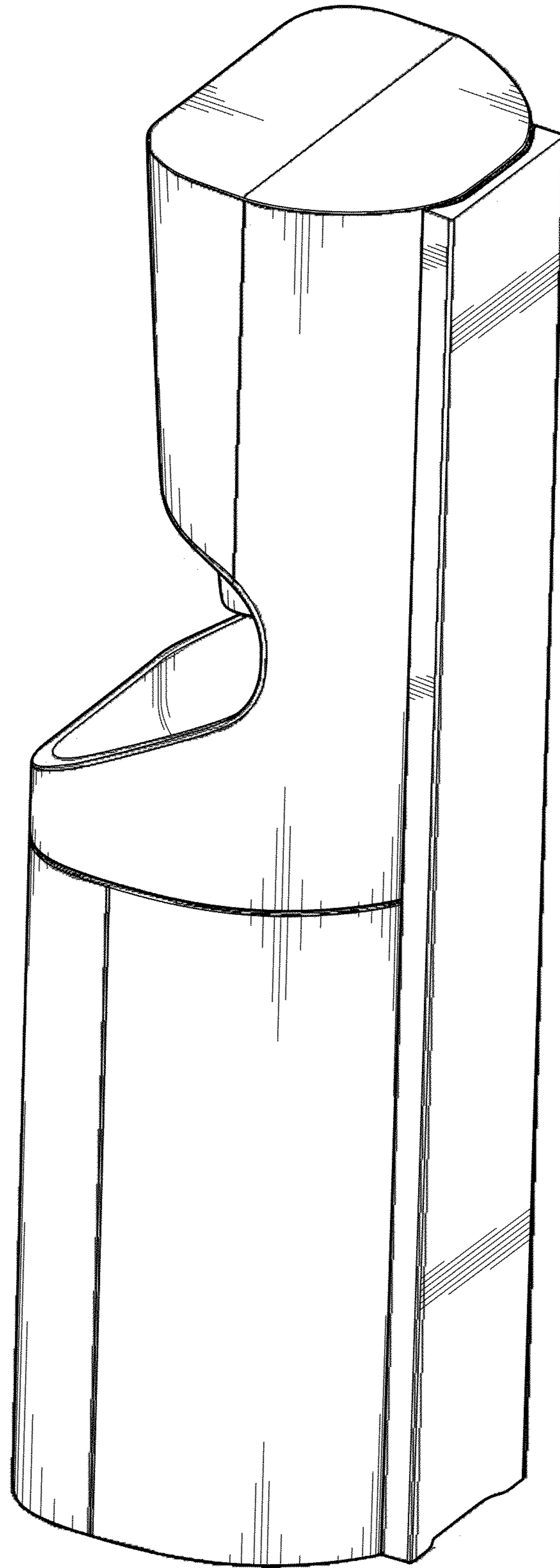


FIG. 14

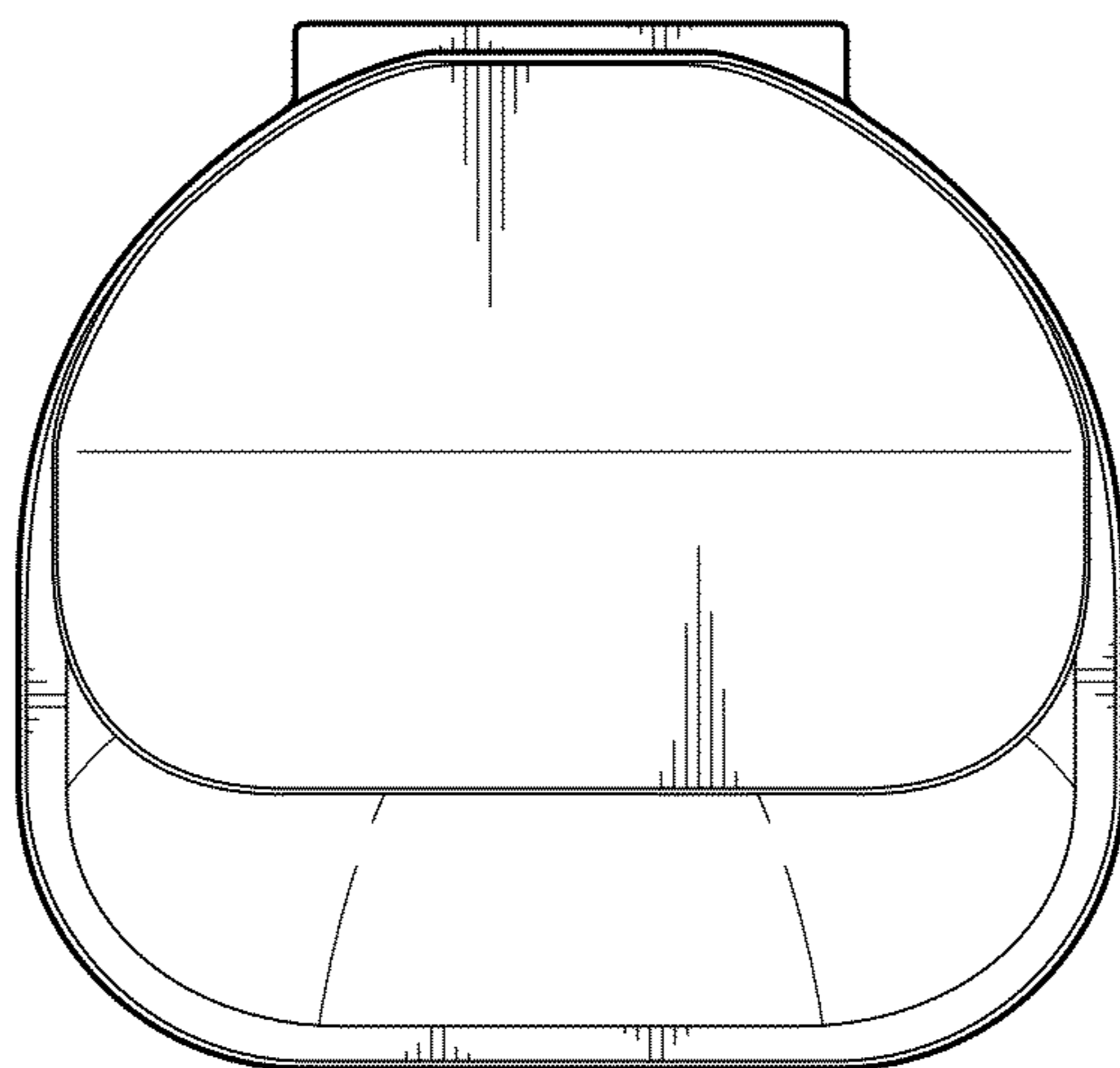


FIG. 15

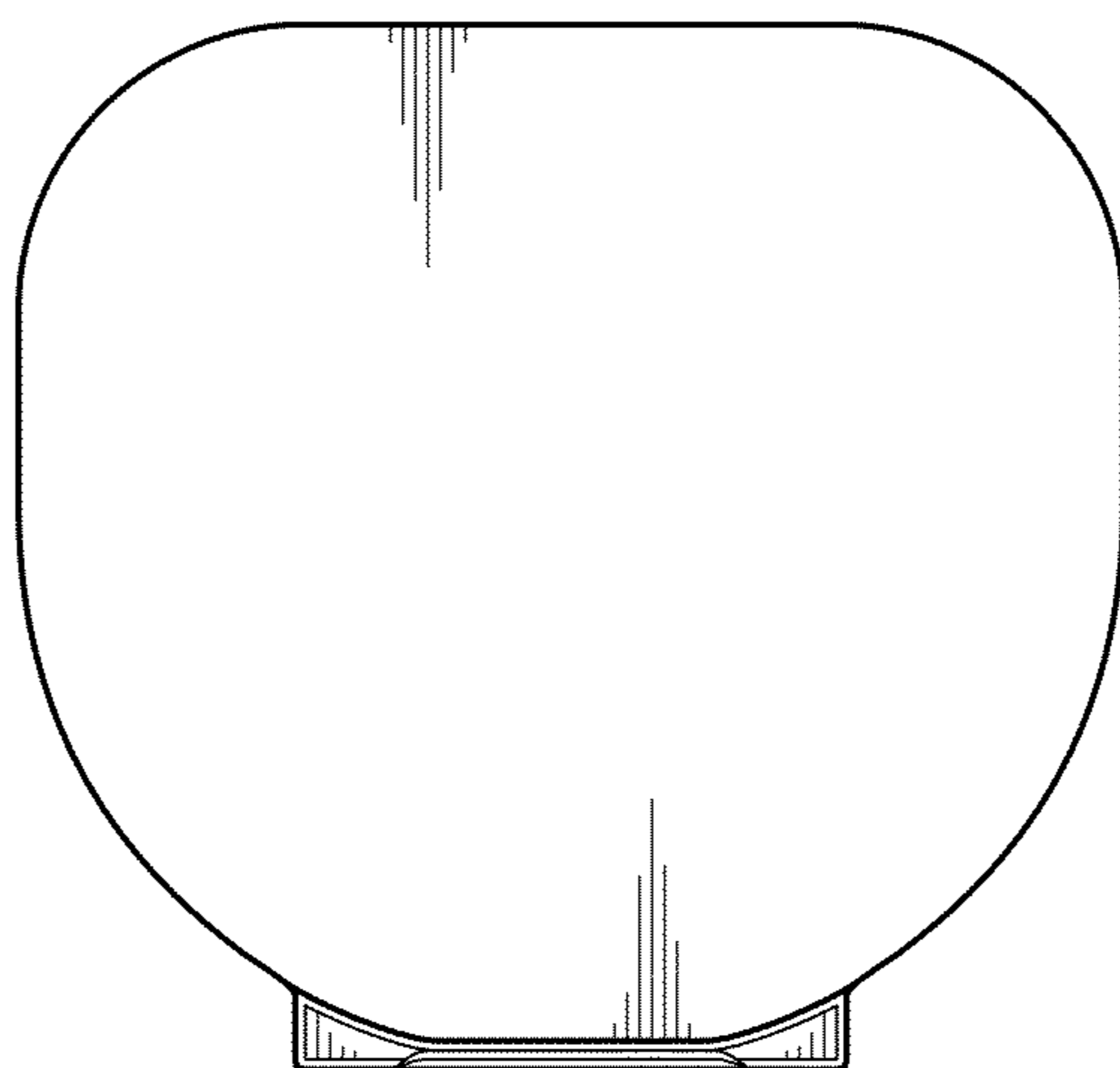


FIG. 16