



US00D737415S

(12) **United States Design Patent**  
**Sato et al.**

(10) **Patent No.:** **US D737,415 S**

(45) **Date of Patent:** **\*\* Aug. 25, 2015**

(54) **SEAL**

(71) Applicant: **NOK CORPORATION**, Tokyo (JP)

(72) Inventors: **Hiroaki Sato**, Kumamoto (JP); **Akira Morio**, Kumamoto (JP); **Daihachi Shojima**, Kumamoto (JP)

(73) Assignee: **NOK CORPORATION**, Tokyo (JP)

(\*\*) Term: **14 Years**

(21) Appl. No.: **29/449,660**

(22) Filed: **Mar. 15, 2013**

(30) **Foreign Application Priority Data**

Oct. 30, 2012 (JP) ..... D2012-026324  
Oct. 30, 2012 (JP) ..... D2012-026325  
Oct. 30, 2012 (JP) ..... D2012-026326  
Oct. 30, 2012 (JP) ..... D2012-026327  
Oct. 30, 2012 (JP) ..... D2012-026328

(51) **LOC (10) Cl.** ..... **23-01**

(52) **U.S. Cl.**  
USPC ..... **D23/269**

(58) **Field of Classification Search**  
USPC ..... D23/249, 259, 260, 262, 266, 269;  
285/15, 95, 133.21, 232, 351; 277/351,  
277/352, 353, 354, 372, 504, 626  
CPC ..... F16J 15/02; F16J 15/06; F16J 15/08;  
F16J 15/18; F16J 15/20; F02M 55/005;  
F02M 55/168; F16L 19/00; F16L 19/04  
See application file for complete search history.

(56) **References Cited**

**U.S. PATENT DOCUMENTS**

1,695,822 A \* 12/1928 Restein ..... 277/654  
D243,406 S \* 2/1977 Mooney et al. .... D13/154  
D244,533 S \* 5/1977 Eidelberg et al. .... D23/269  
D327,307 S \* 6/1992 Mojden ..... D21/684  
D342,567 S \* 12/1993 Boen ..... D23/269  
D380,039 S \* 6/1997 Sutherland et al. .... D23/269  
D527,445 S \* 8/2006 Wortmann et al. .... D23/269

D536,071 S \* 1/2007 Wortmann et al. .... D23/269  
D558,310 S \* 12/2007 Quesada ..... D23/269  
D607,091 S \* 12/2009 Weston ..... D23/269  
D614,272 S \* 4/2010 Henry et al. .... D23/269  
D633,991 S \* 3/2011 Nakagawa ..... D23/269  
D646,764 S \* 10/2011 Rusconi ..... D23/269  
D653,734 S \* 2/2012 Sisk ..... D23/269  
D655,401 S \* 3/2012 Muramatsu ..... D23/269  
D655,797 S \* 3/2012 Muramatsu ..... D23/269  
D678,989 S \* 3/2013 Zerrer ..... D23/259  
D681,176 S \* 4/2013 Chacko ..... D23/269  
D692,391 S \* 10/2013 Kim ..... D13/154  
2007/0102888 A1 \* 5/2007 Takahiro et al. .... 277/603  
2011/0001293 A1 \* 1/2011 Chen ..... 277/510  
2011/0031746 A1 \* 2/2011 Spears ..... 285/379  
2013/0038027 A1 \* 2/2013 Feldner et al. .... 277/591  
2014/0014867 A1 \* 1/2014 Hung ..... 251/314  
2014/0353927 A1 \* 12/2014 Schroder ..... 277/626

\* cited by examiner

*Primary Examiner* — Eric Goodman

*Assistant Examiner* — Daniel J Domino

(74) *Attorney, Agent, or Firm* — Fishman Stewart Yamaguchi PLLC

(57) **CLAIM**

The ornamental design for a seal, as shown and described.

**DESCRIPTION**

FIG. 1 is a front elevational view of a first embodiment of a seal showing our new design;  
FIG. 2 is a rear elevational view thereof;  
FIG. 3 is a right side elevational view thereof, a left side elevational view thereof being a mirror image; and  
FIG. 4 is a top plan view thereof, a bottom plan view thereof being a mirror image.  
FIG. 5 is a cross sectional view thereof along the line 5-5 of FIG. 1.  
FIG. 6 is an enlarged cross sectional view along the line 6-6 of FIG. 5.  
FIG. 7 is a front elevational view of a second embodiment of a seal showing our new design;  
FIG. 8 is a rear elevational view thereof;  
FIG. 9 is a right side elevational view thereof, a left side elevational view thereof being a mirror image; and

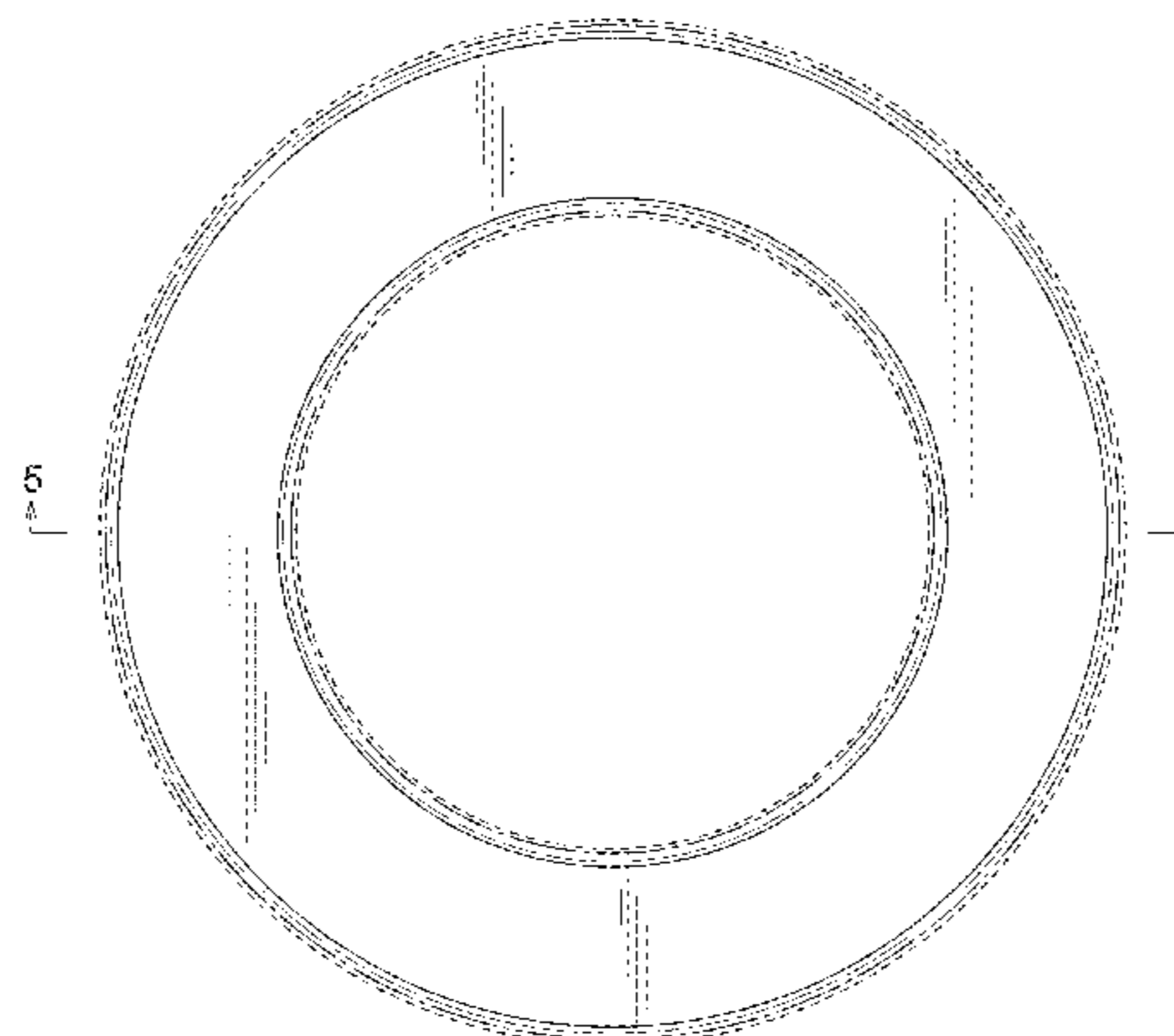


FIG. 10 is a top plan view thereof, a bottom plan view thereof being a mirror image.

FIG. 11 is a cross sectional view thereof along the line 11-11 of FIG. 7.

FIG. 12 is an enlarged cross sectional view along the line 12-12 of FIG. 11.

FIG. 13 is a front elevational view of a third embodiment of a seal showing our new design;

FIG. 14 is a rear elevational view thereof;

FIG. 15 is a right side elevational view thereof, a left side elevational view thereof being a mirror image; and

FIG. 16 is a top plan view thereof, a bottom plan view thereof being a mirror image.

FIG. 17 is a cross sectional view thereof along the line 17-17 of FIG. 13.

FIG. 18 is an enlarged cross sectional view along the line 18-18 of FIG. 17.

FIG. 19 is a front elevational view of a fourth embodiment of a seal showing our new design;

FIG. 20 is a rear elevational view thereof; FIG. 21 is a right side elevational view thereof, a left side elevational view thereof being a mirror image; and

FIG. 22 is a top plan view thereof, a bottom plan view thereof being a mirror image.

FIG. 23 is a cross sectional view thereof along the line 23-23 of FIG. 19.

FIG. 24 is an enlarged cross sectional view along the line 24-24 of FIG. 23.

FIG. 25 is a front elevational view of a fifth embodiment of a seal showing our new design;

FIG. 26 is a rear elevational view thereof;

FIG. 27 is a right side elevational view thereof, a left side elevational view thereof being a mirror image; and

FIG. 28 is a top plan view thereof, a bottom plan view thereof being a mirror image.

FIG. 29 is a cross sectional view thereof along the line 29-29 of FIG. 25; and,

FIG. 30 is an enlarged cross sectional view along the line 30-30 of FIG. 29.

Broken lines illustrate unclaimed portions of the seal and form no part of the claimed design. Dot-dash broken lines define the boundaries of, but not included in, the claimed design.

**1 Claim, 20 Drawing Sheets**

FIG.1

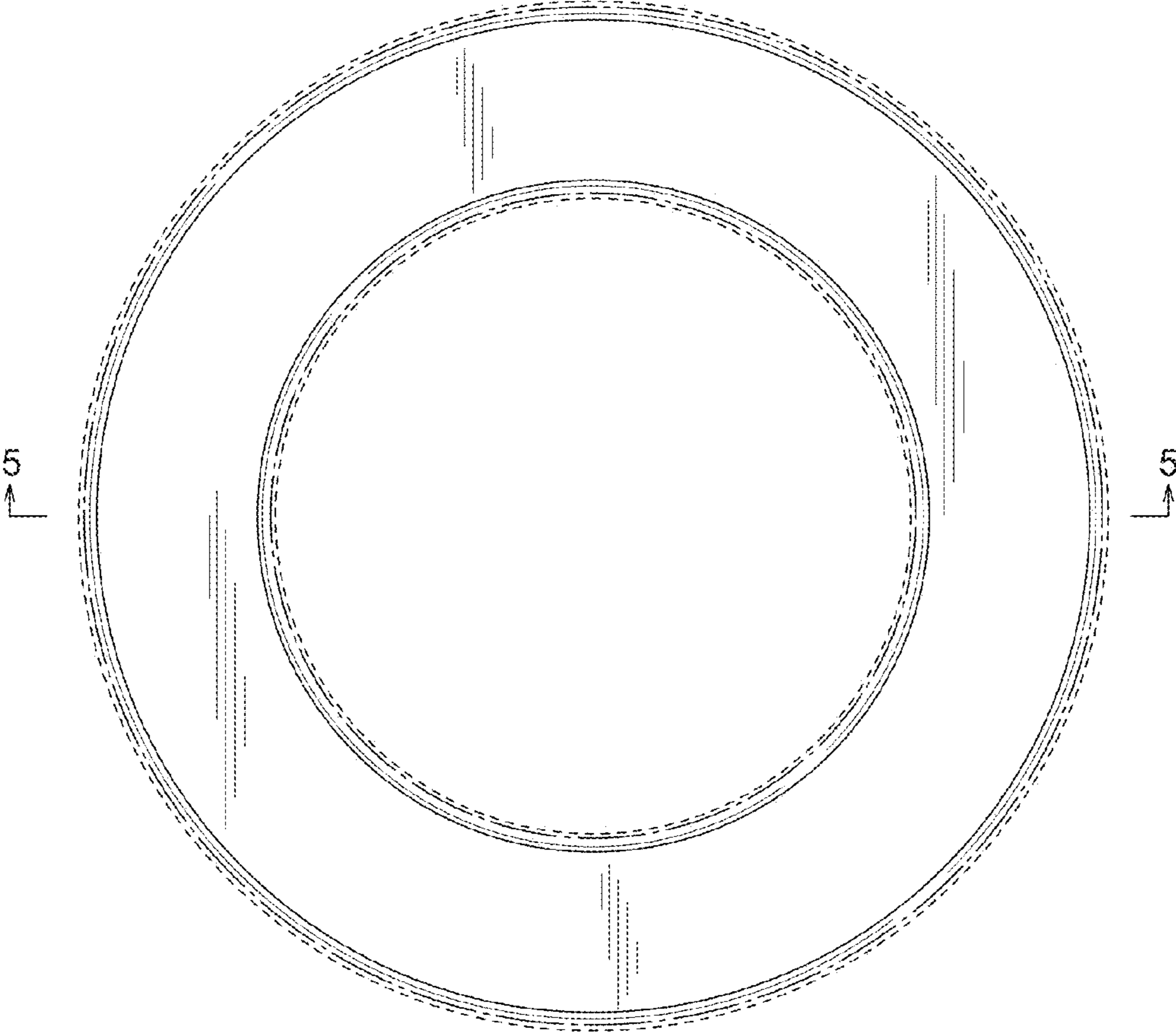


FIG.2

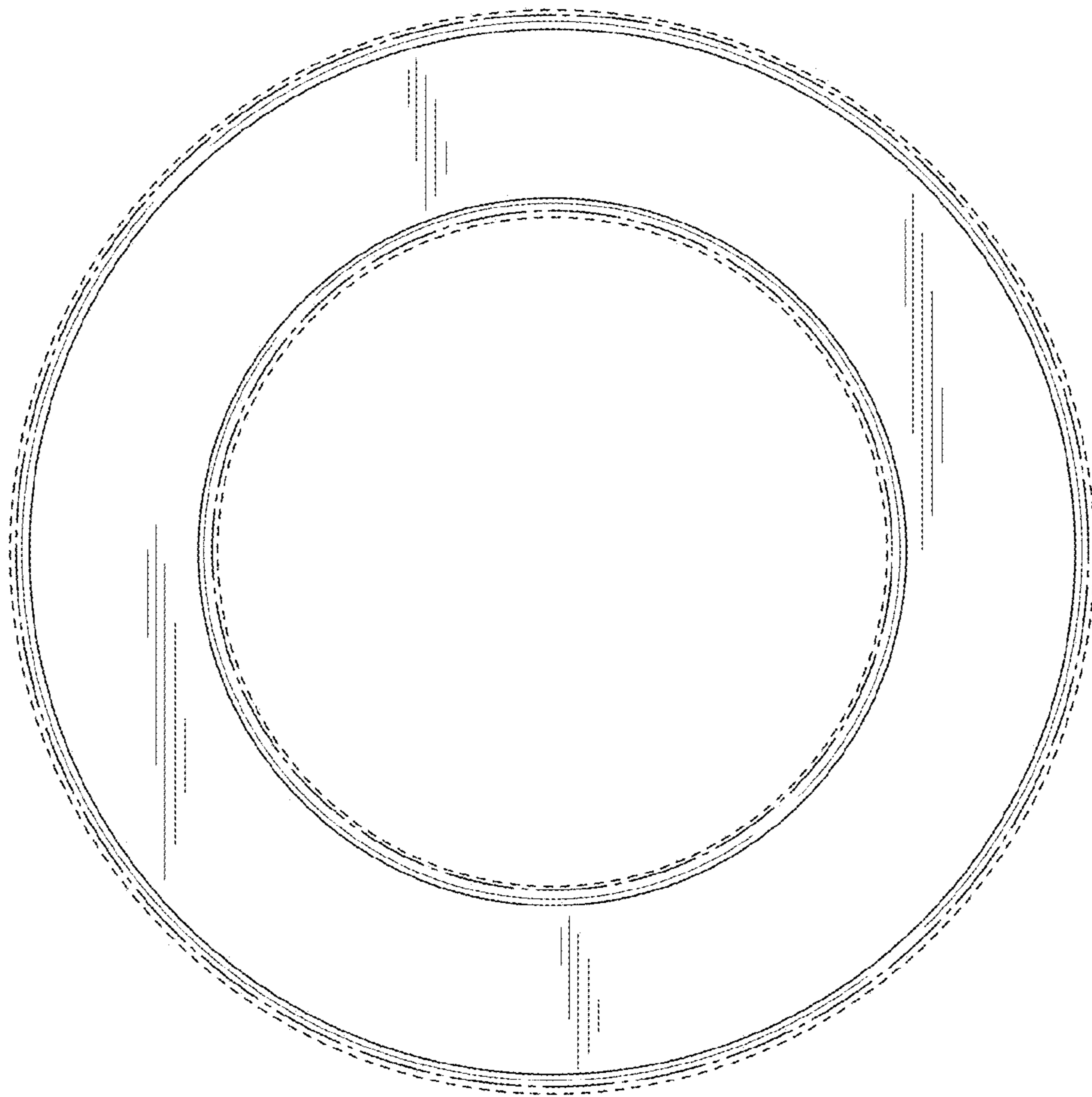




FIG.3



FIG.4

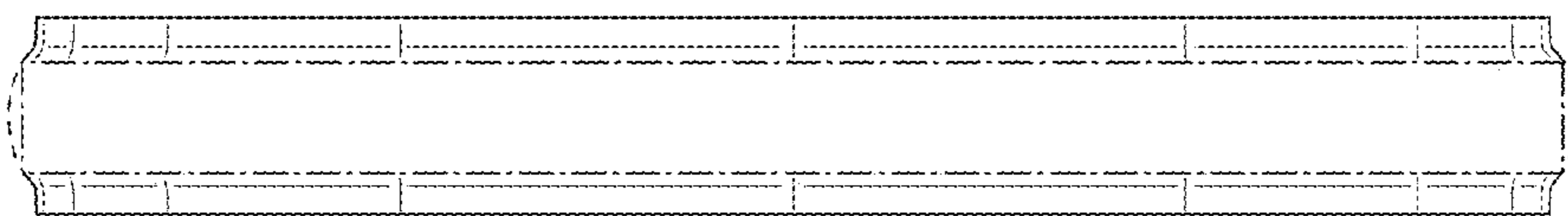


FIG.5

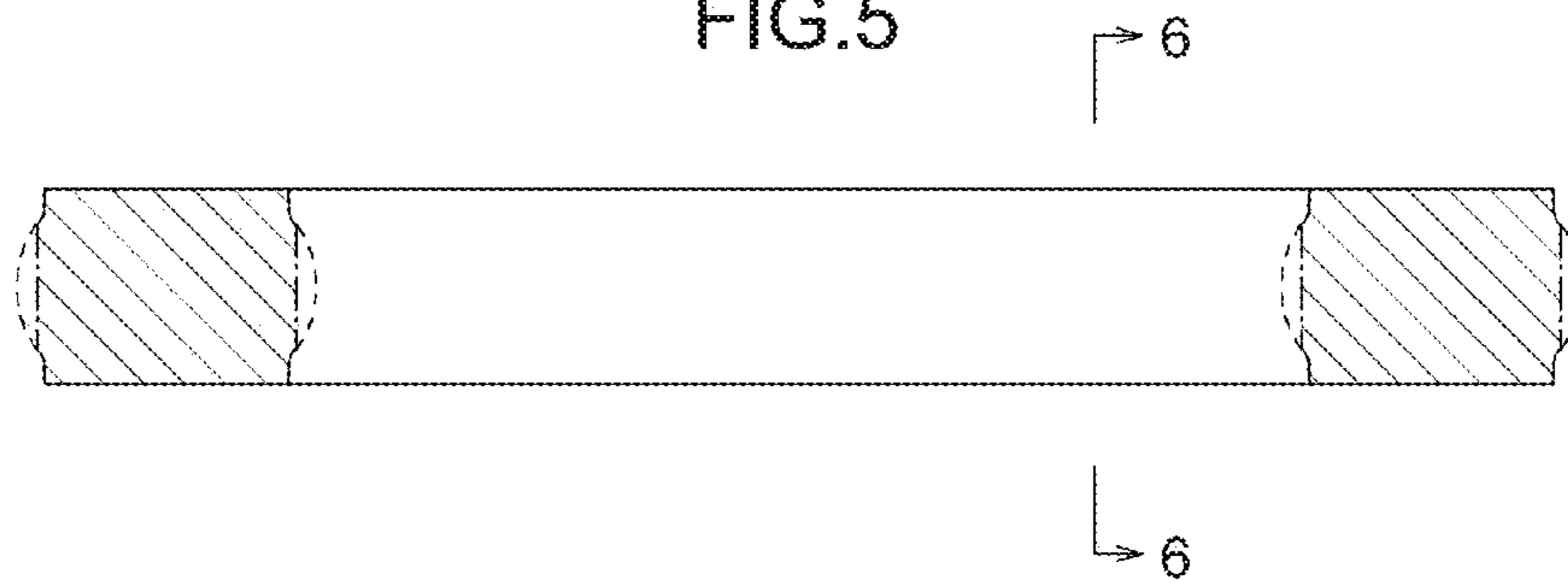


FIG.6

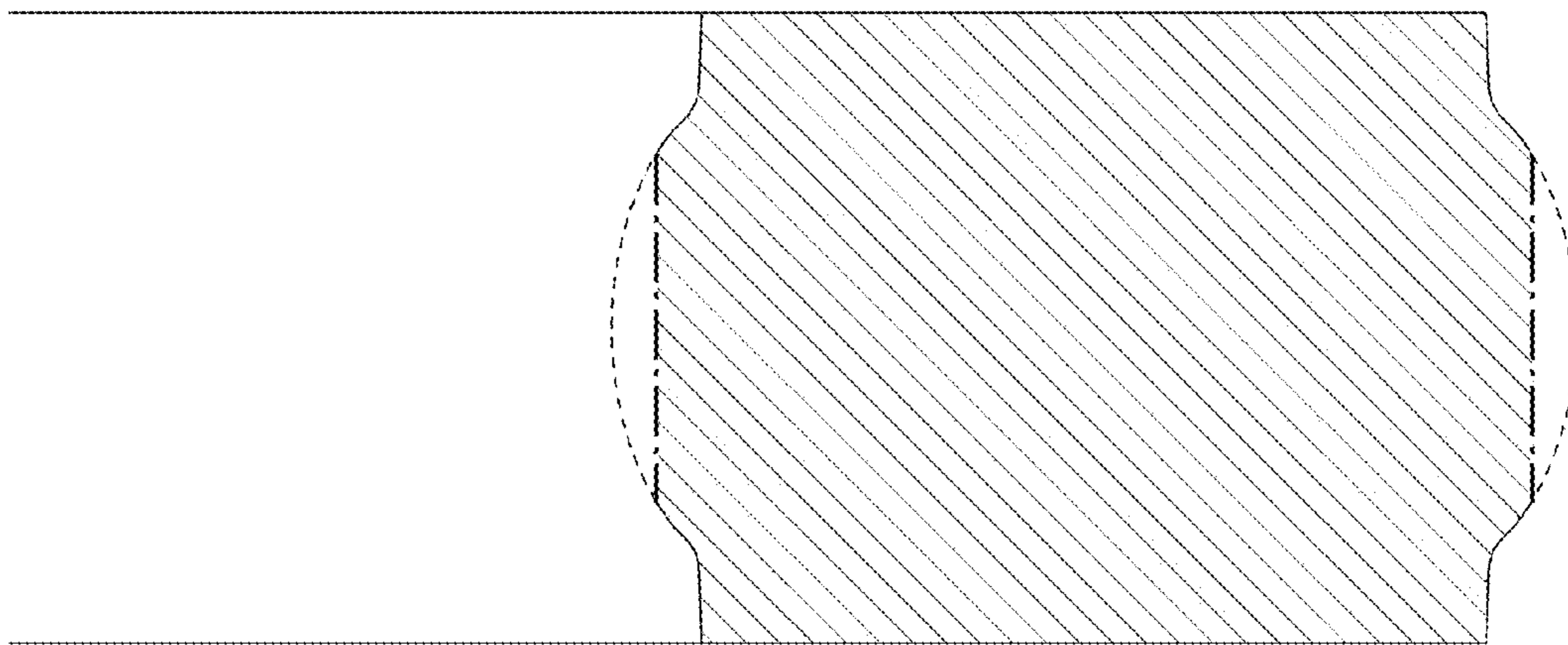


FIG.7

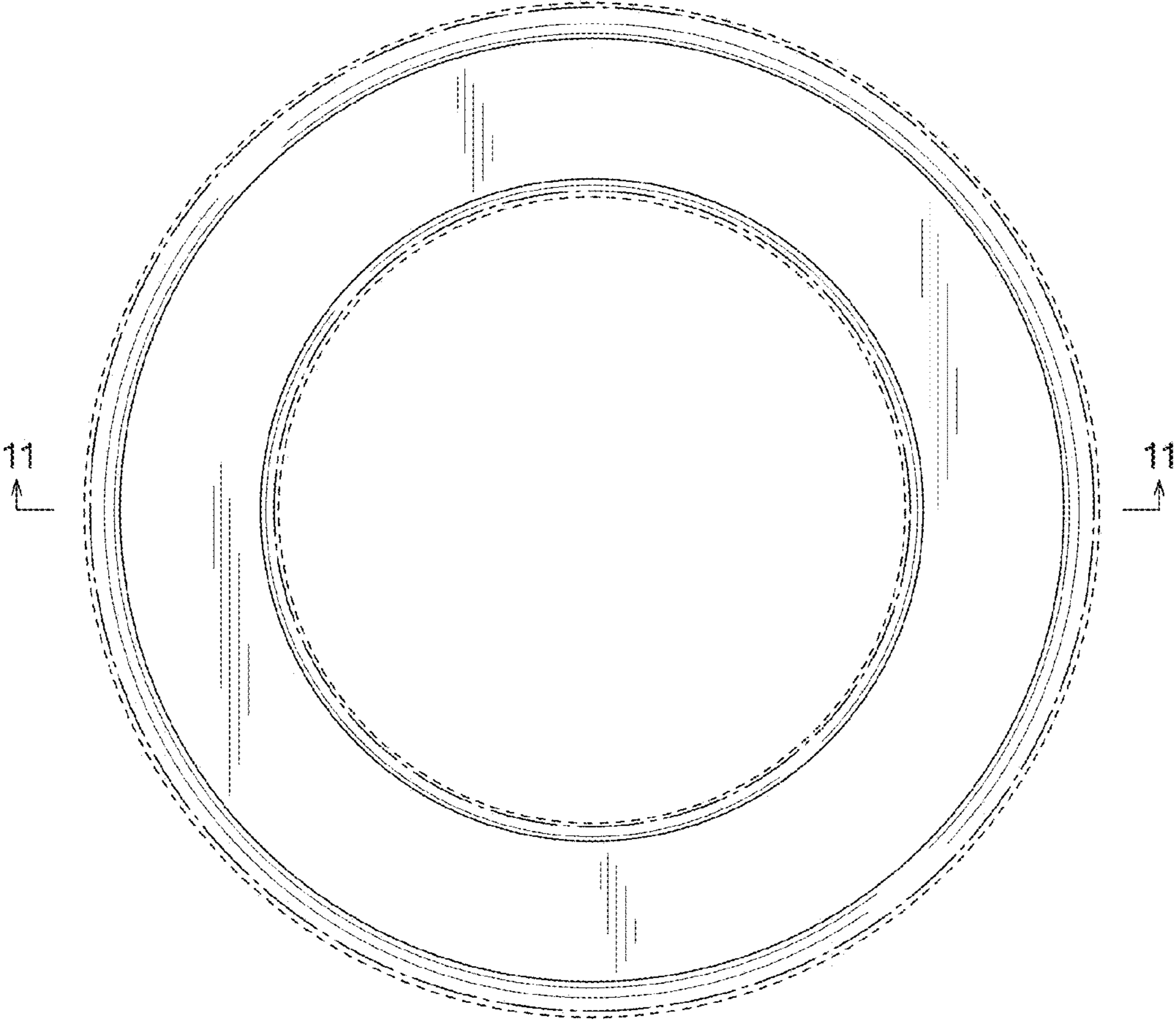


FIG.8

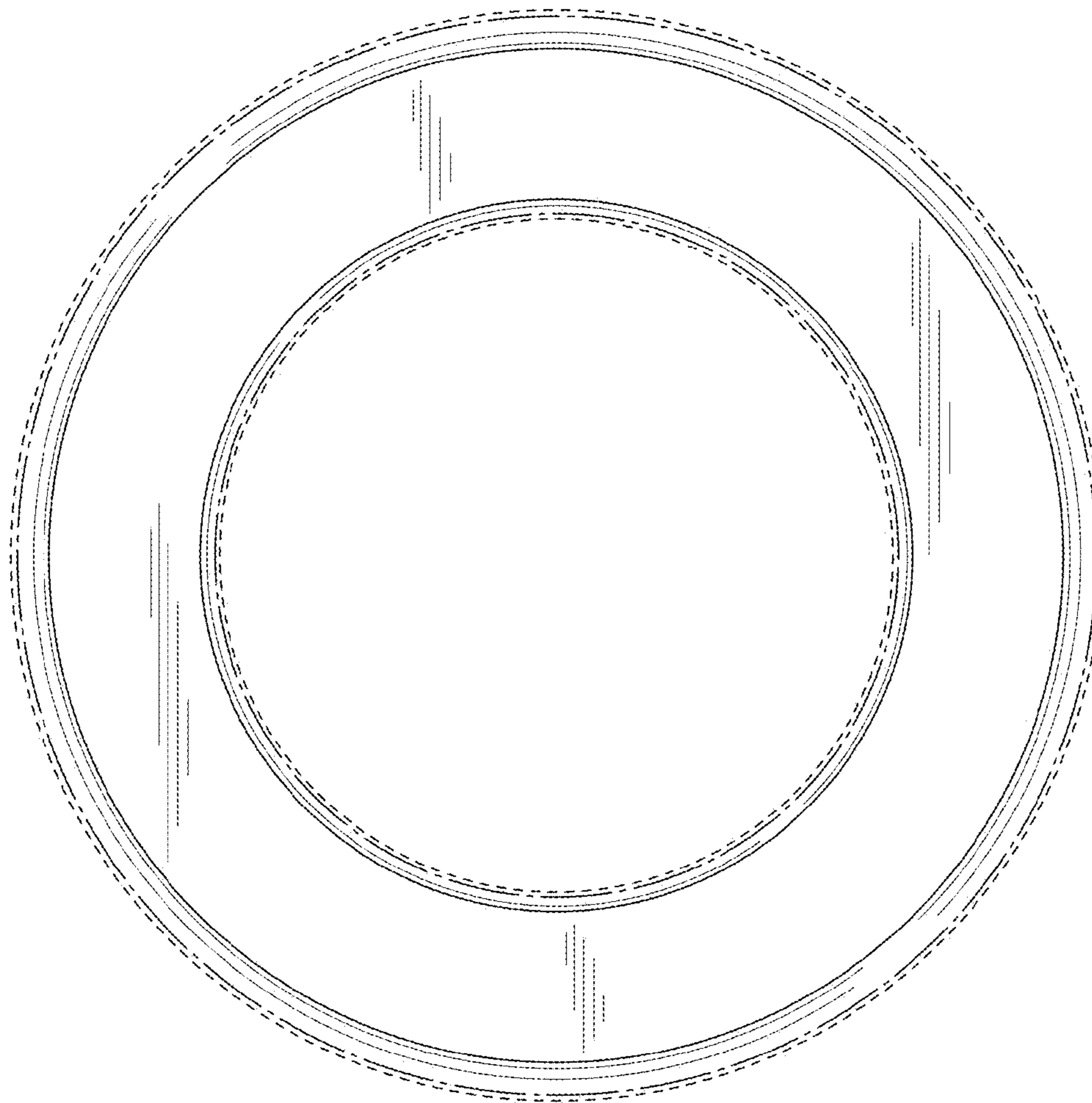




FIG.9



FIG.10

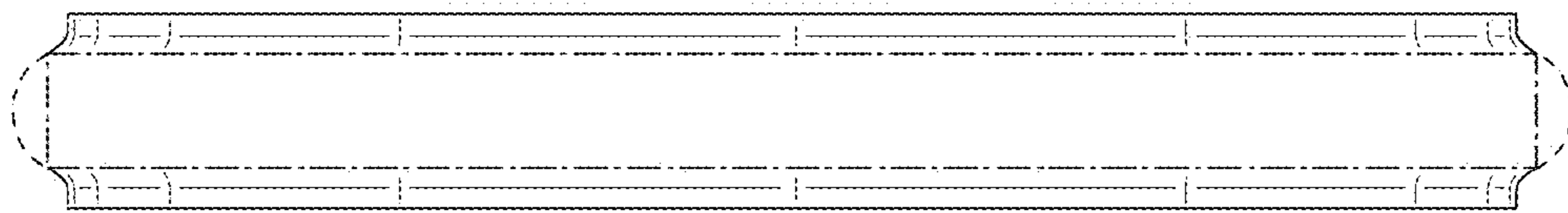


FIG.11

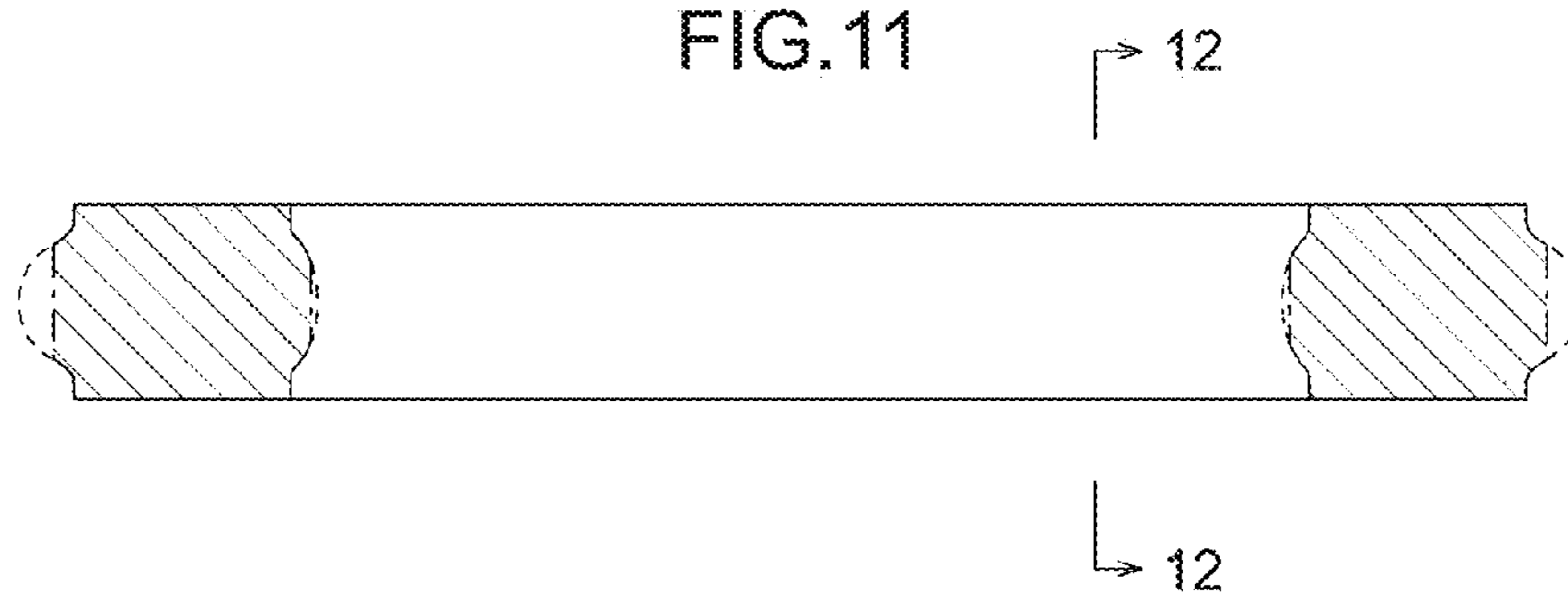


FIG.12

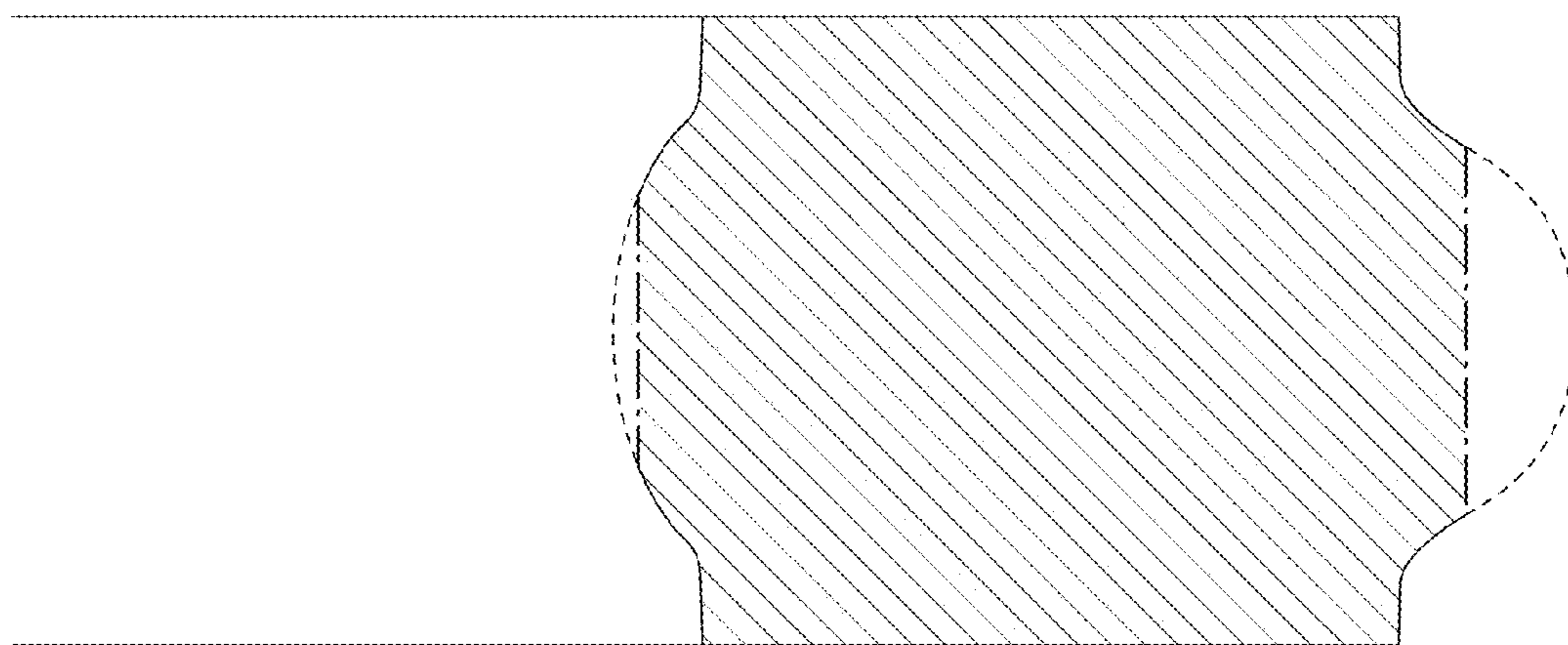


FIG.13

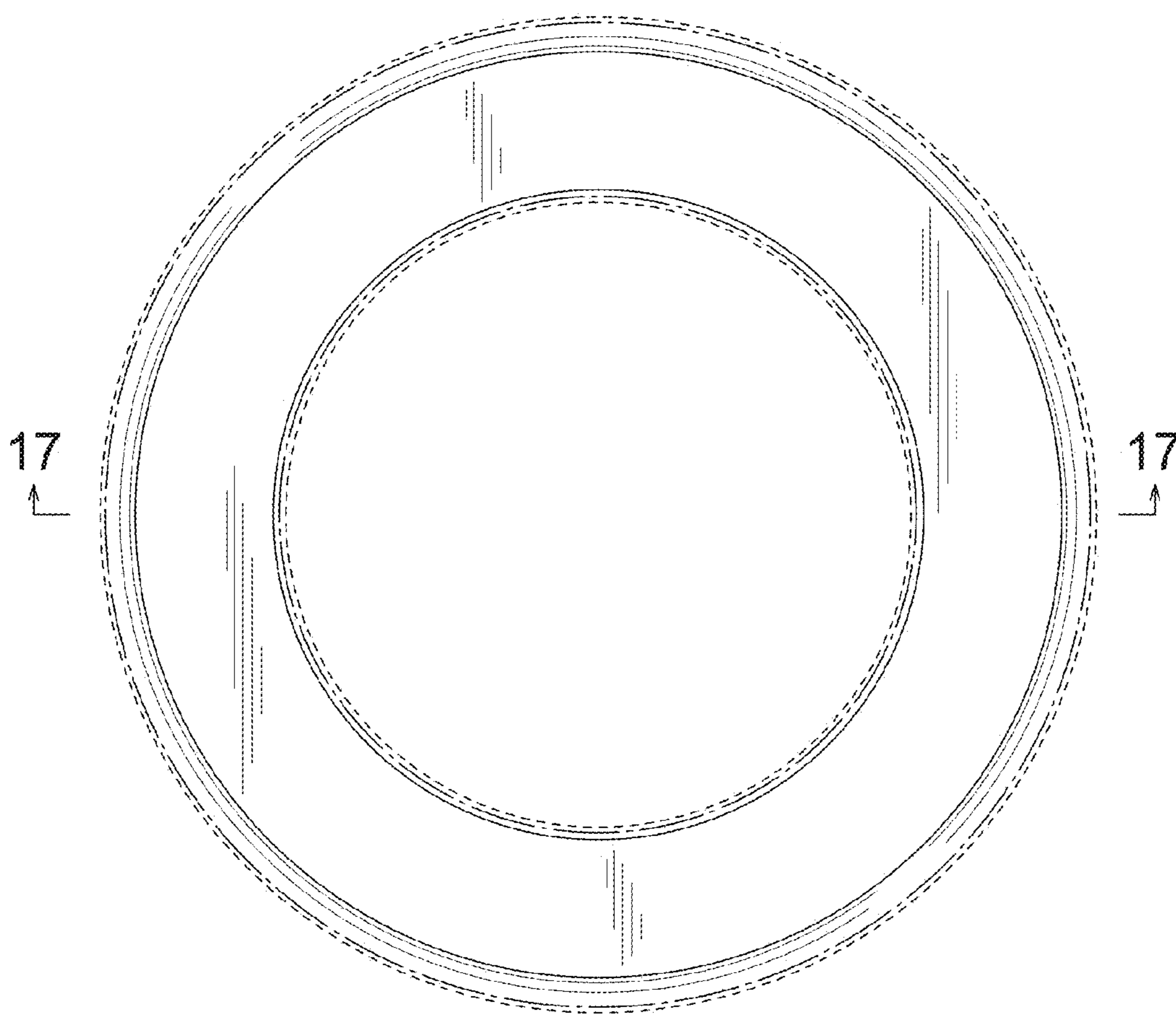


FIG.14

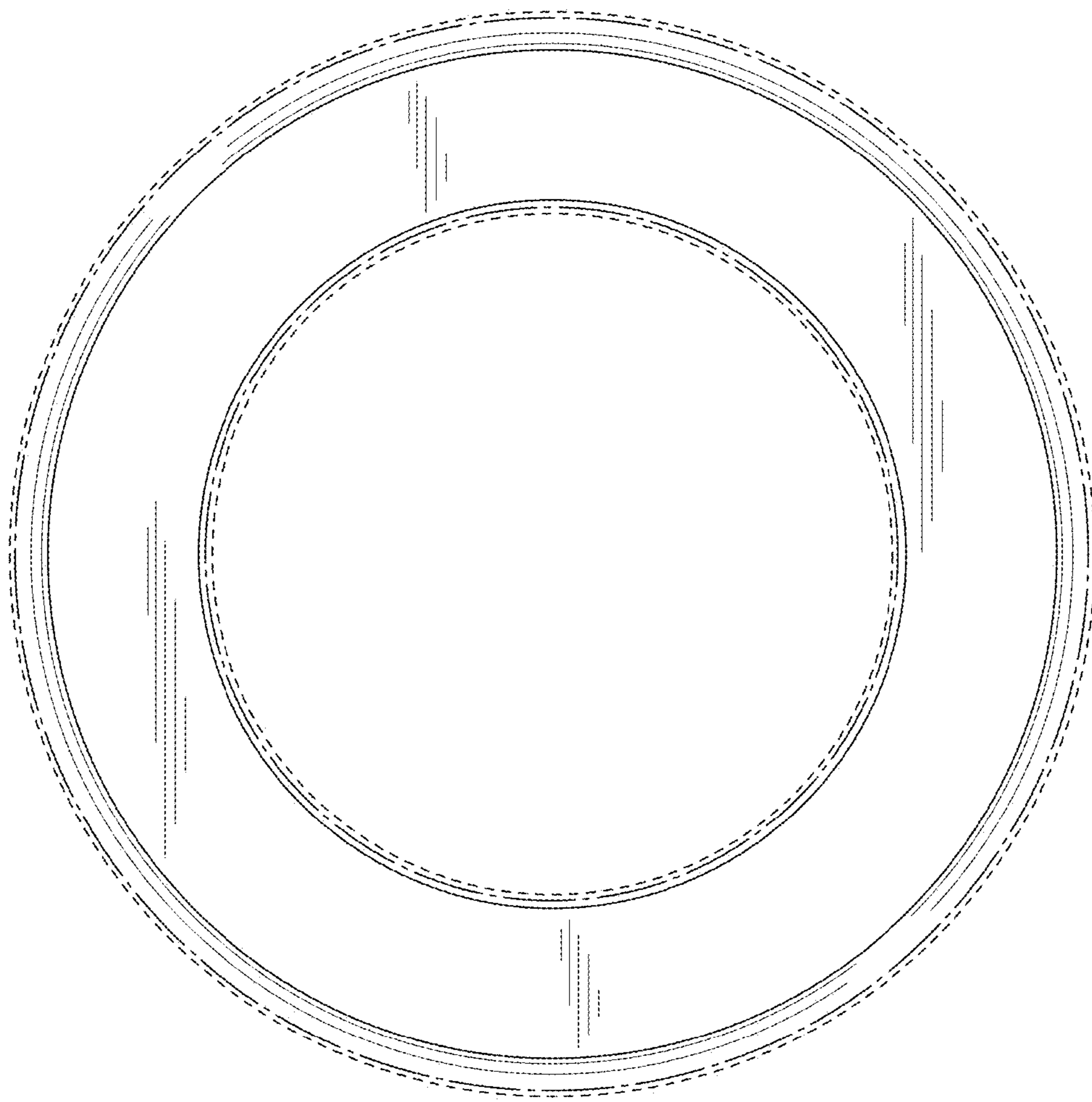


FIG.15



FIG.16

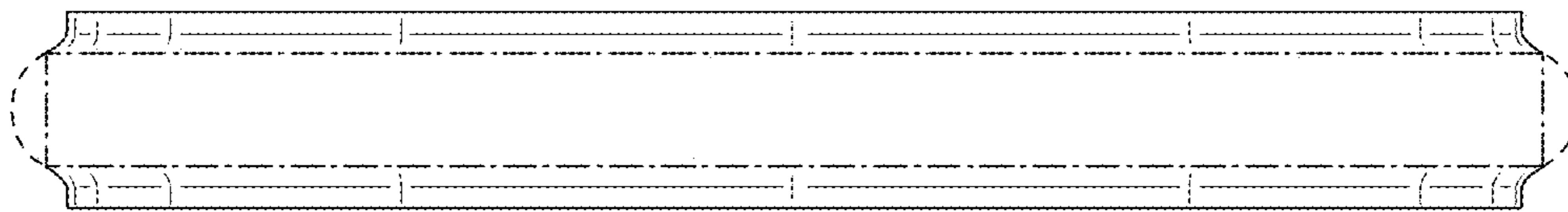




FIG.17

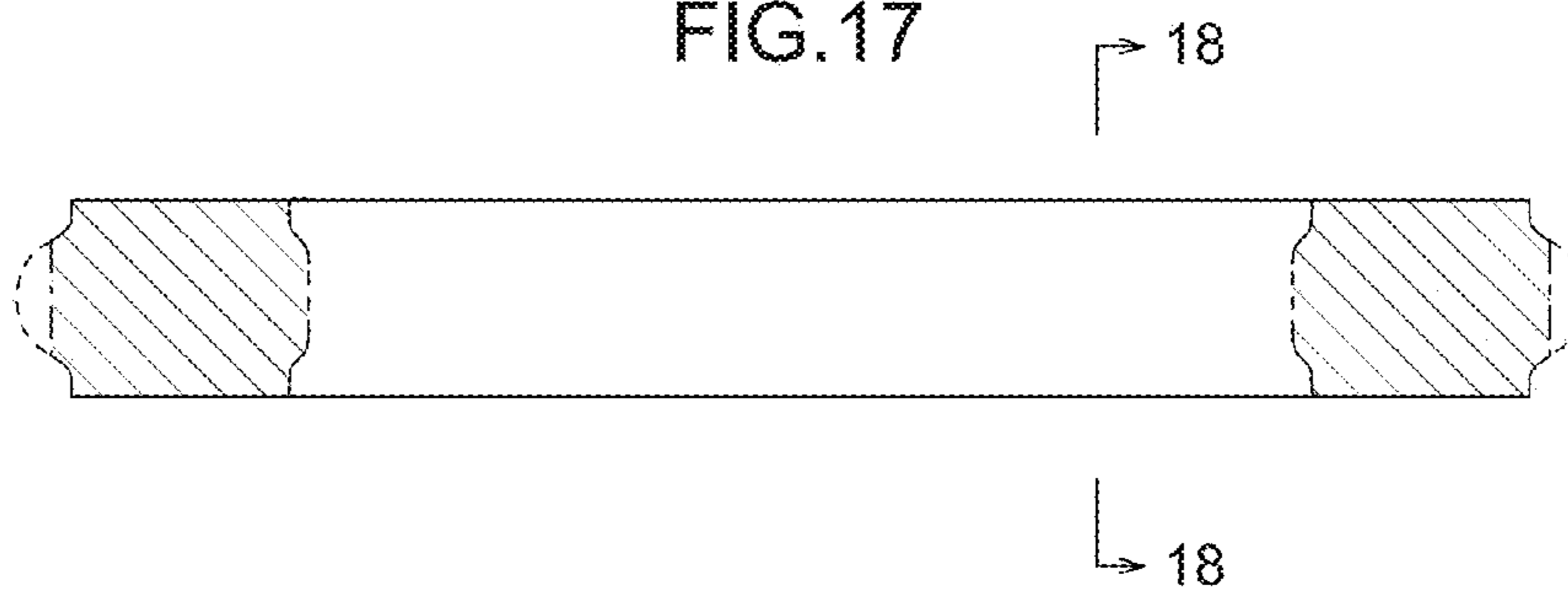


FIG.18

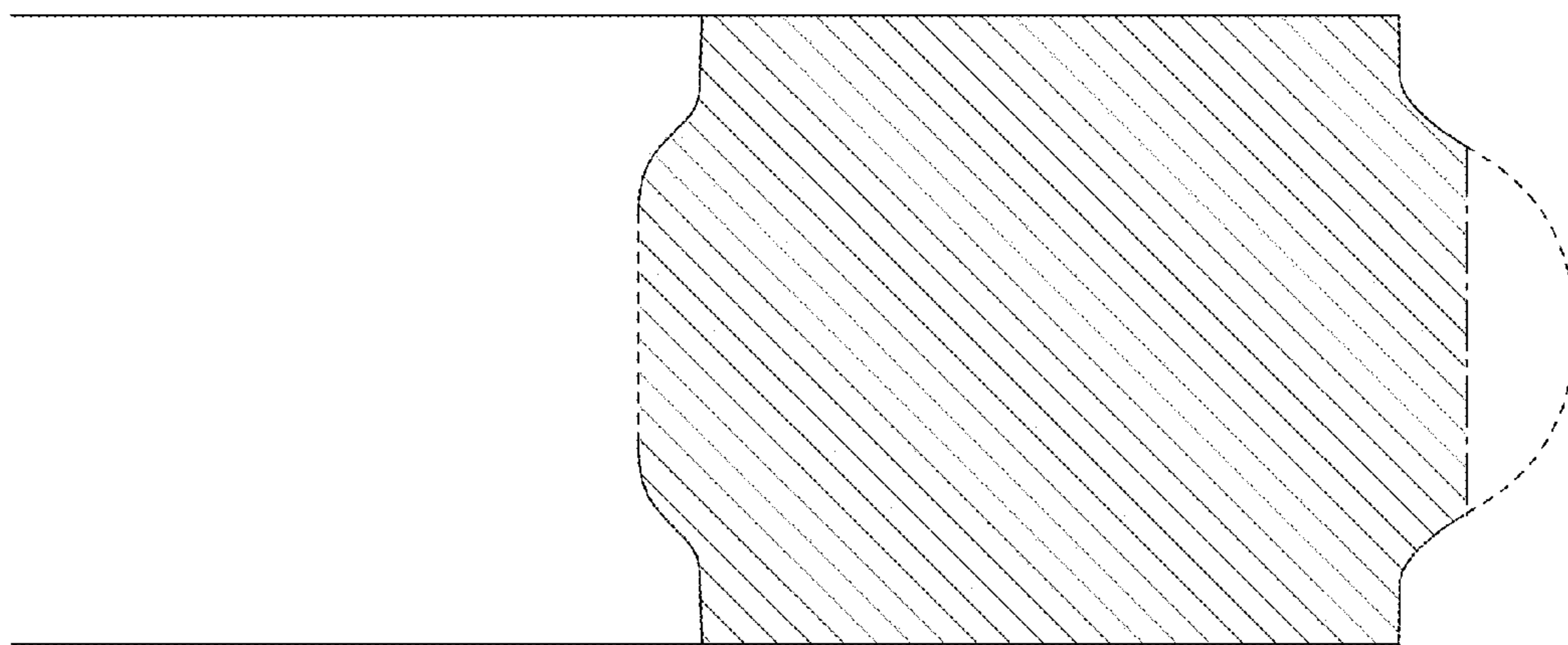


FIG.19

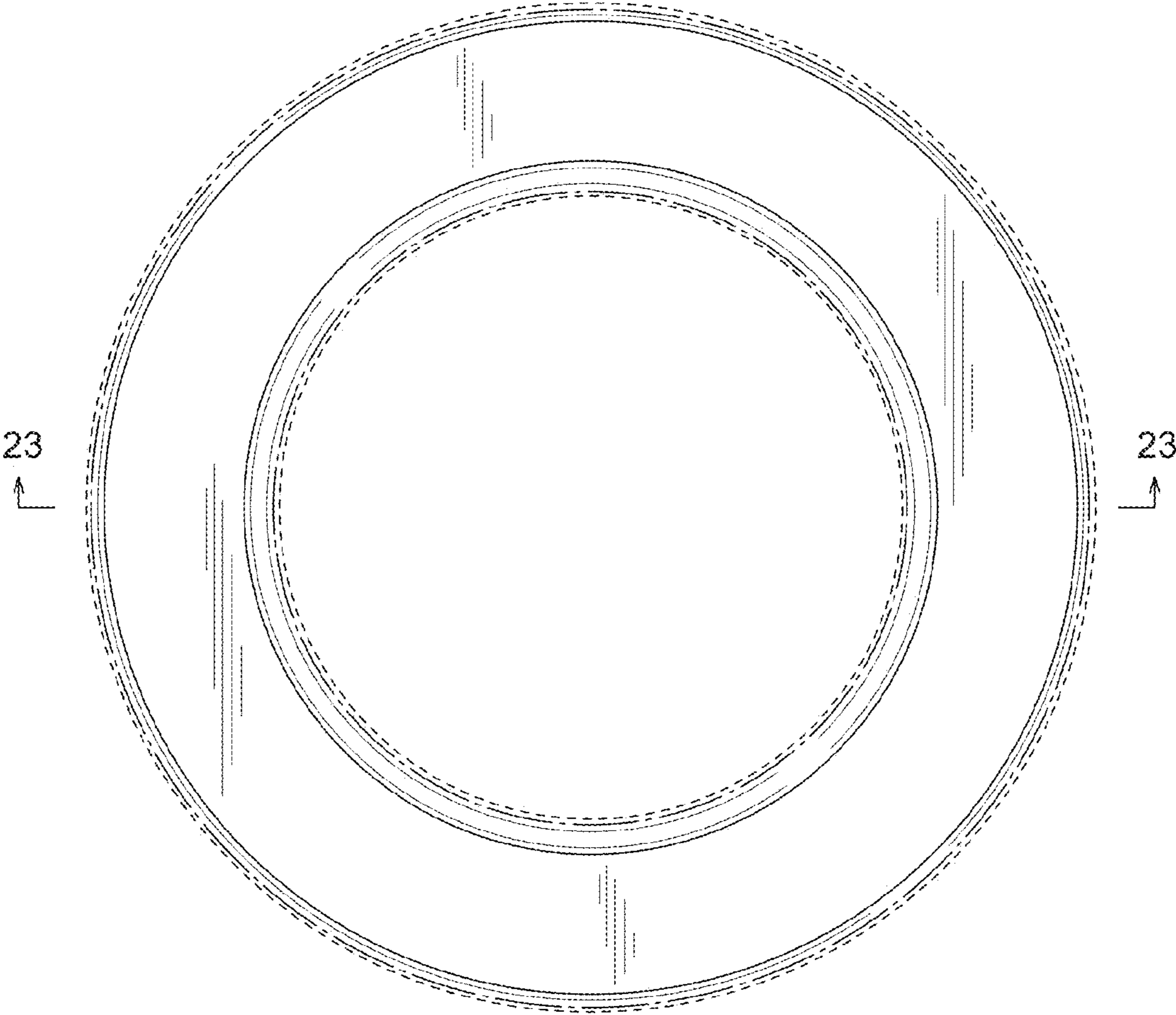


FIG.20

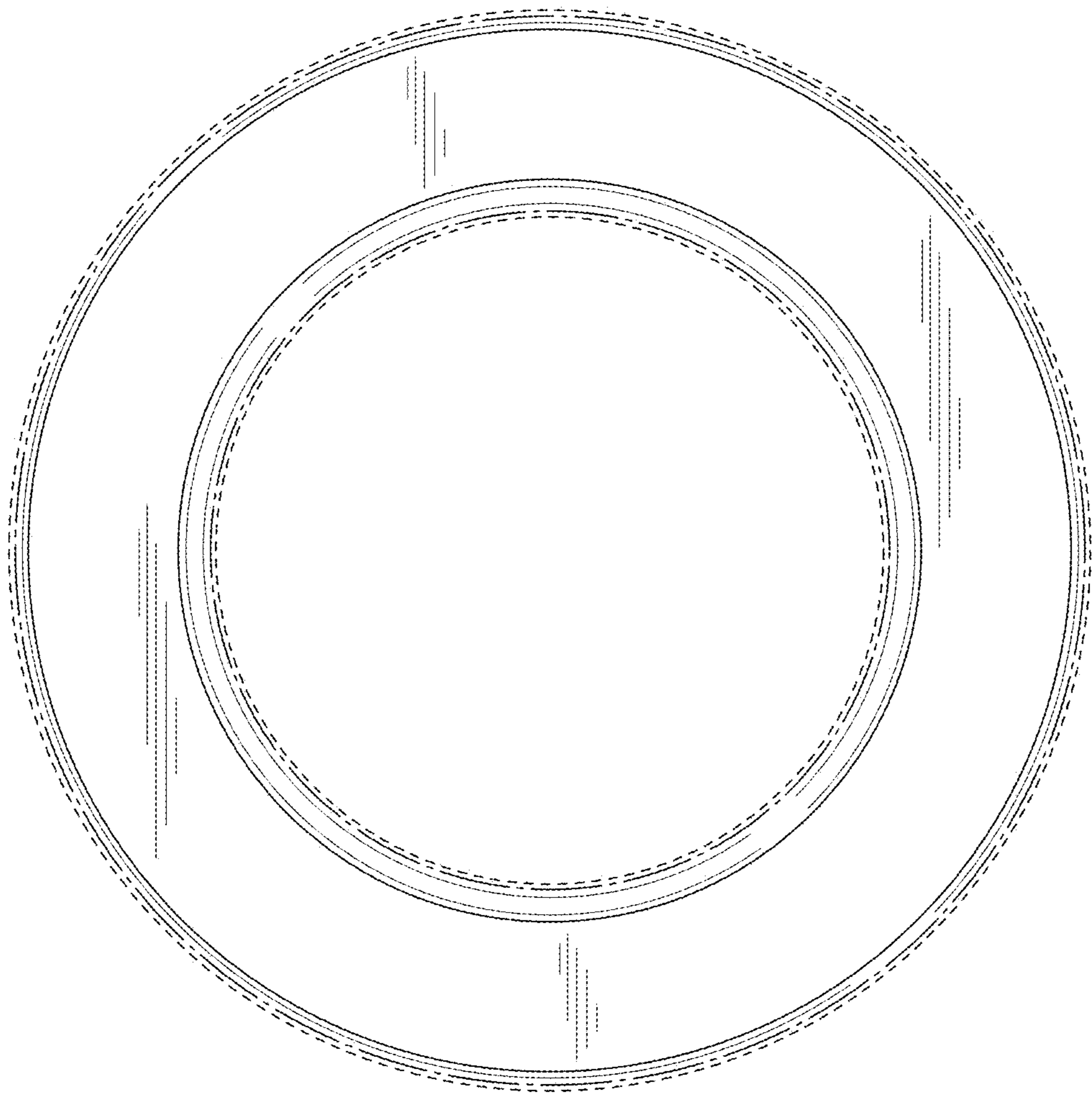


FIG.21

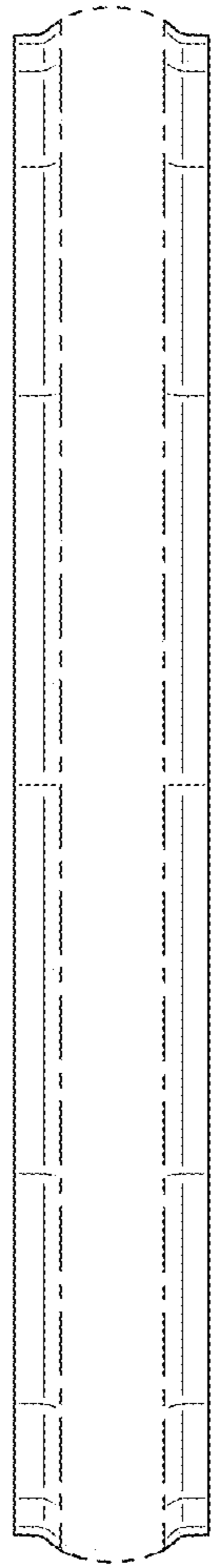


FIG.22

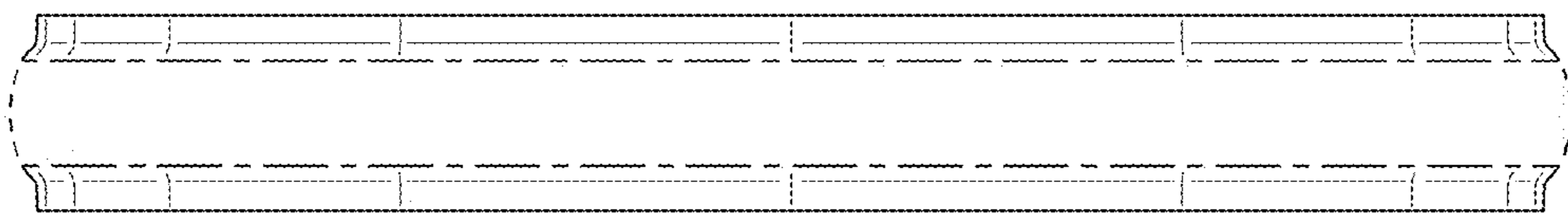


FIG.23

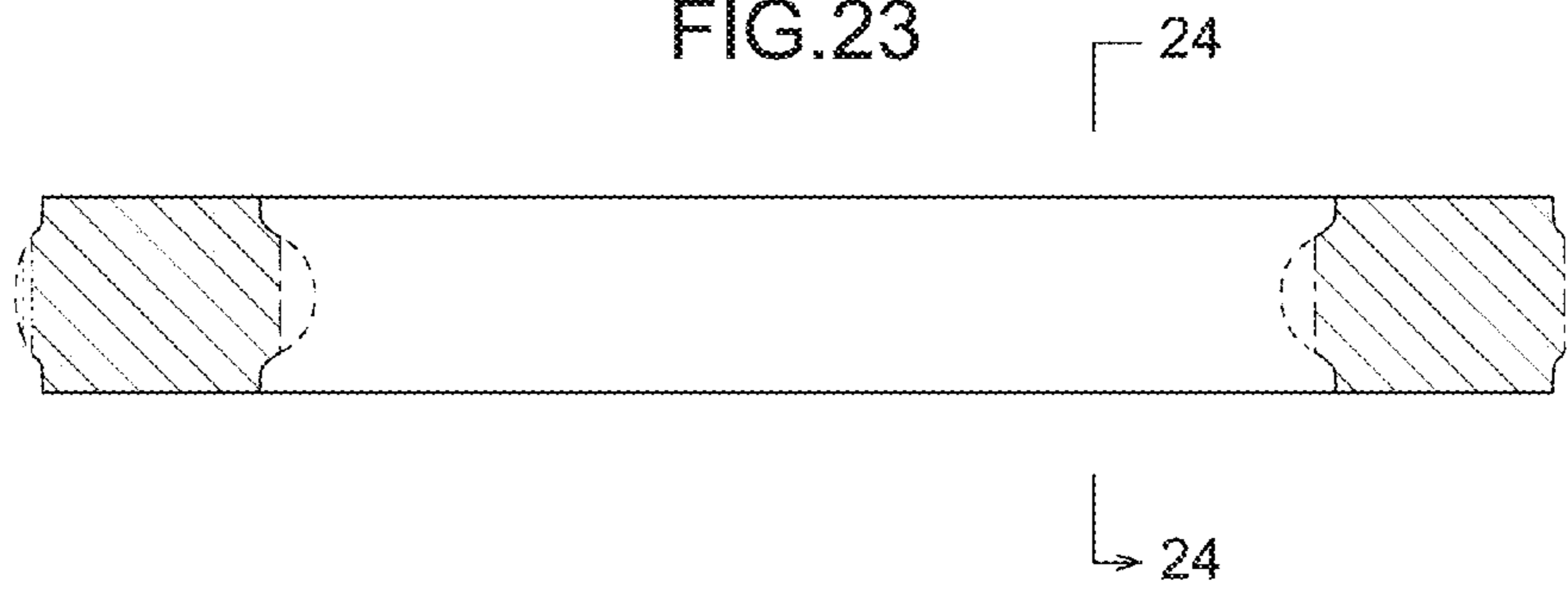


FIG.24

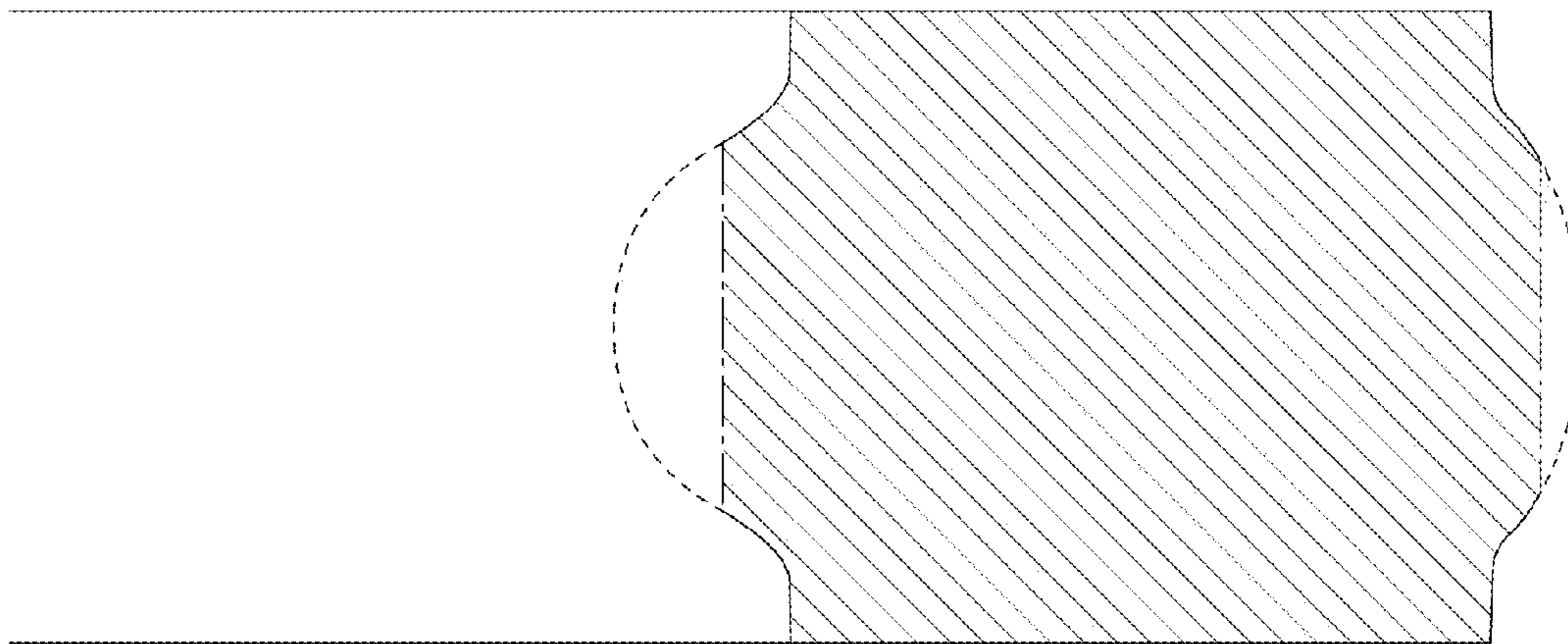




FIG.25

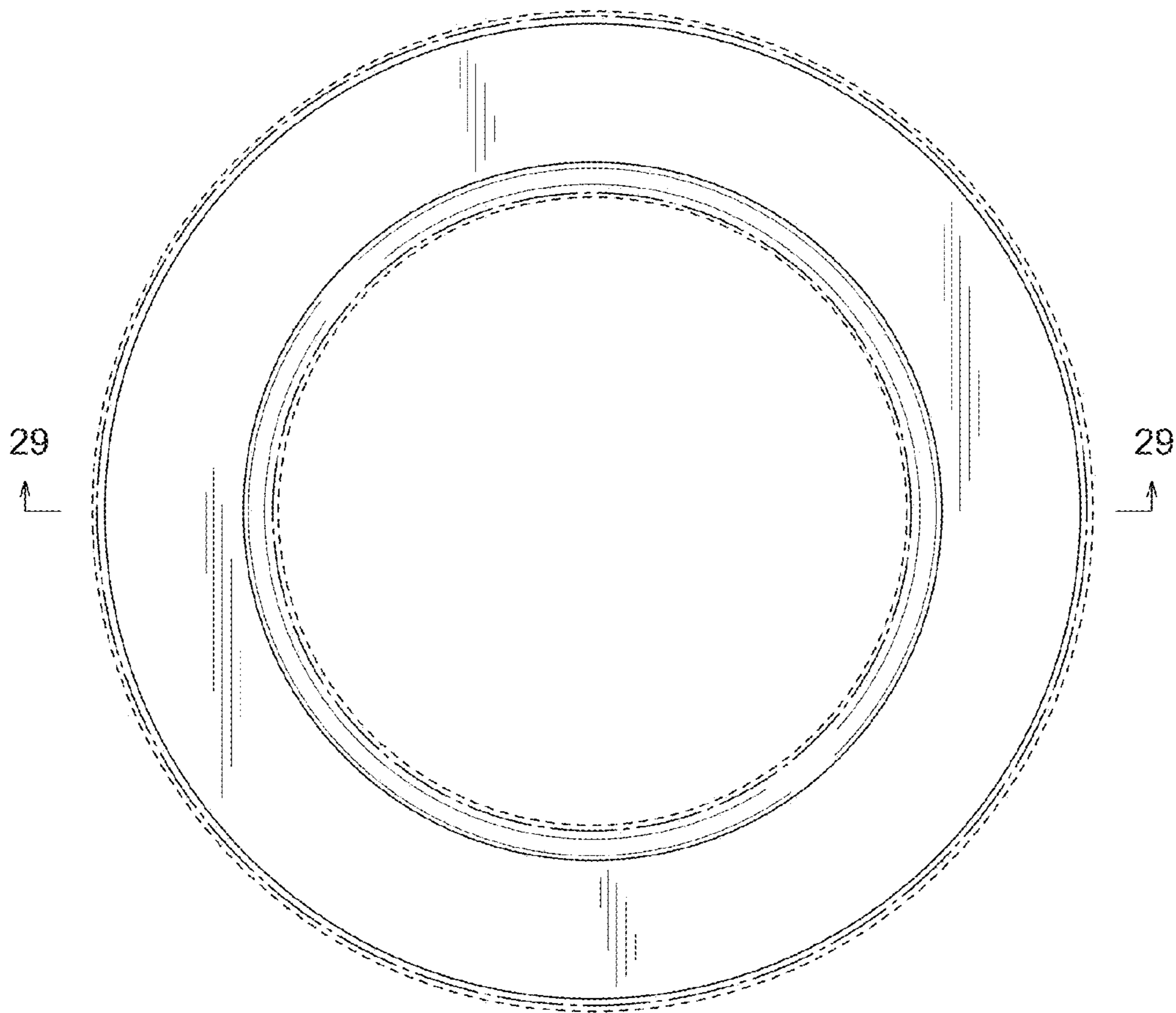


FIG.26

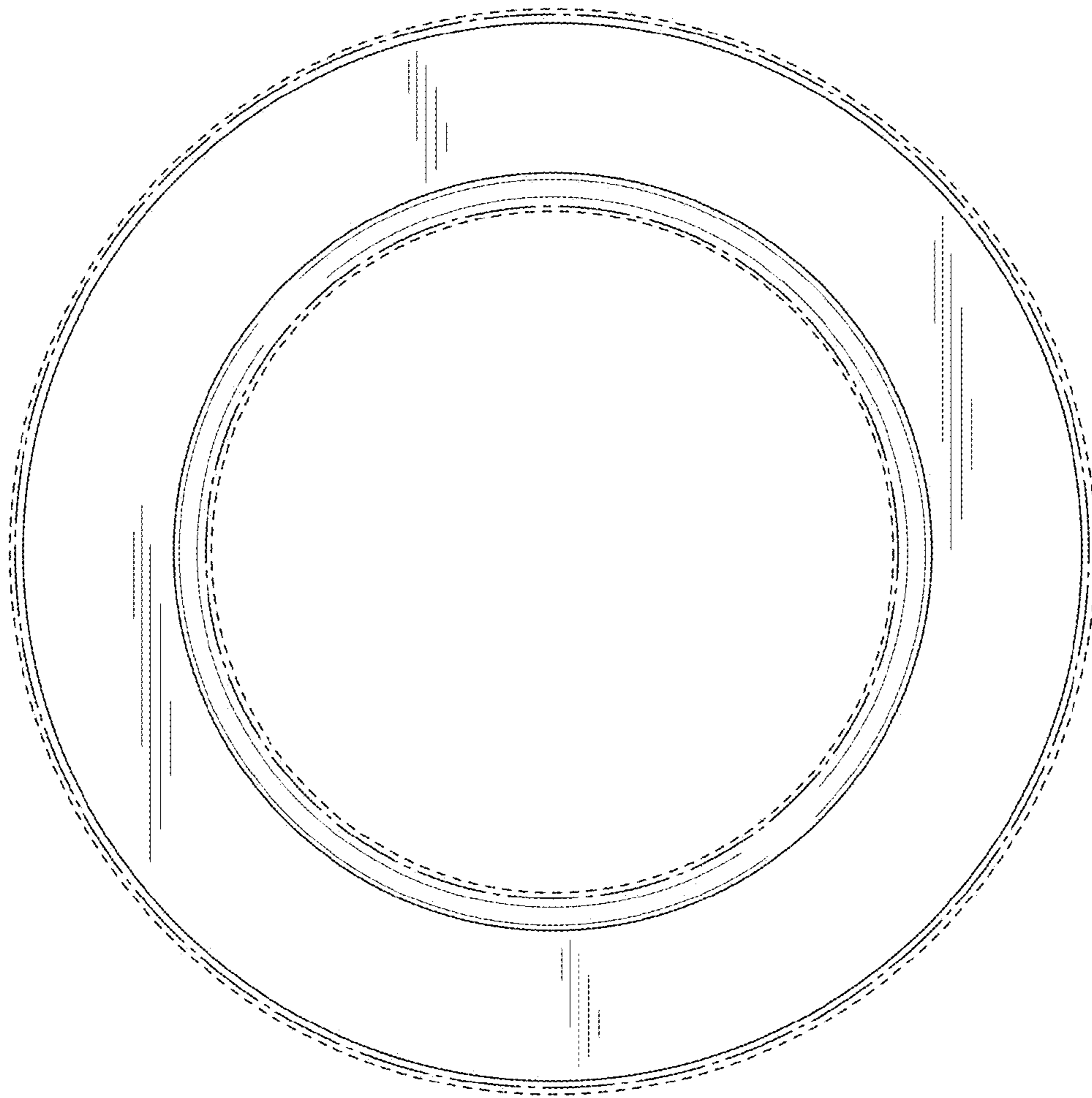


FIG.27

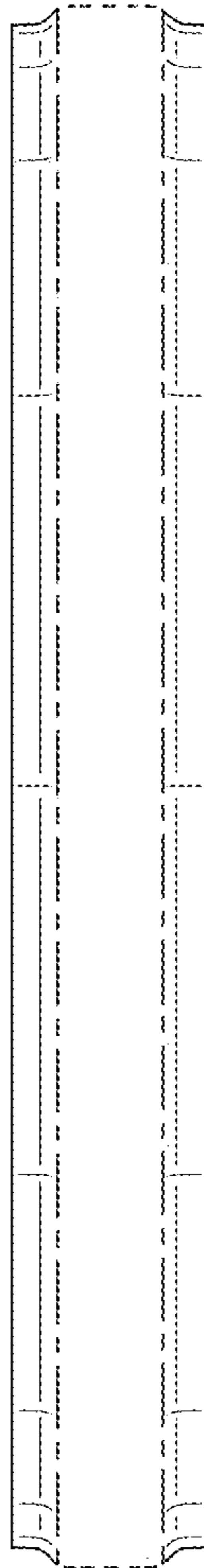


FIG.28

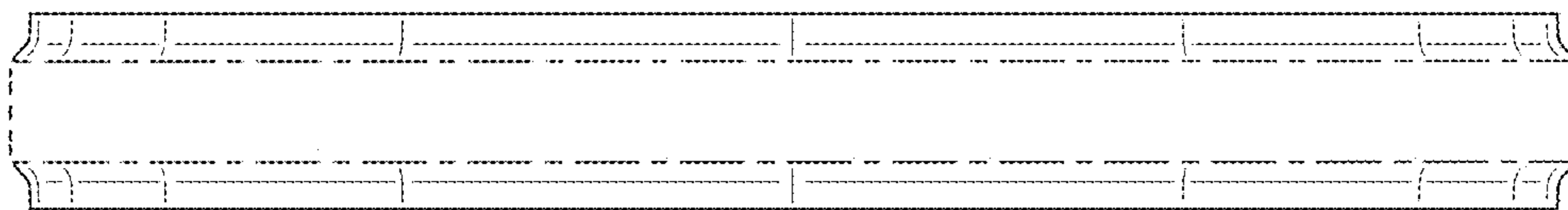


FIG.29

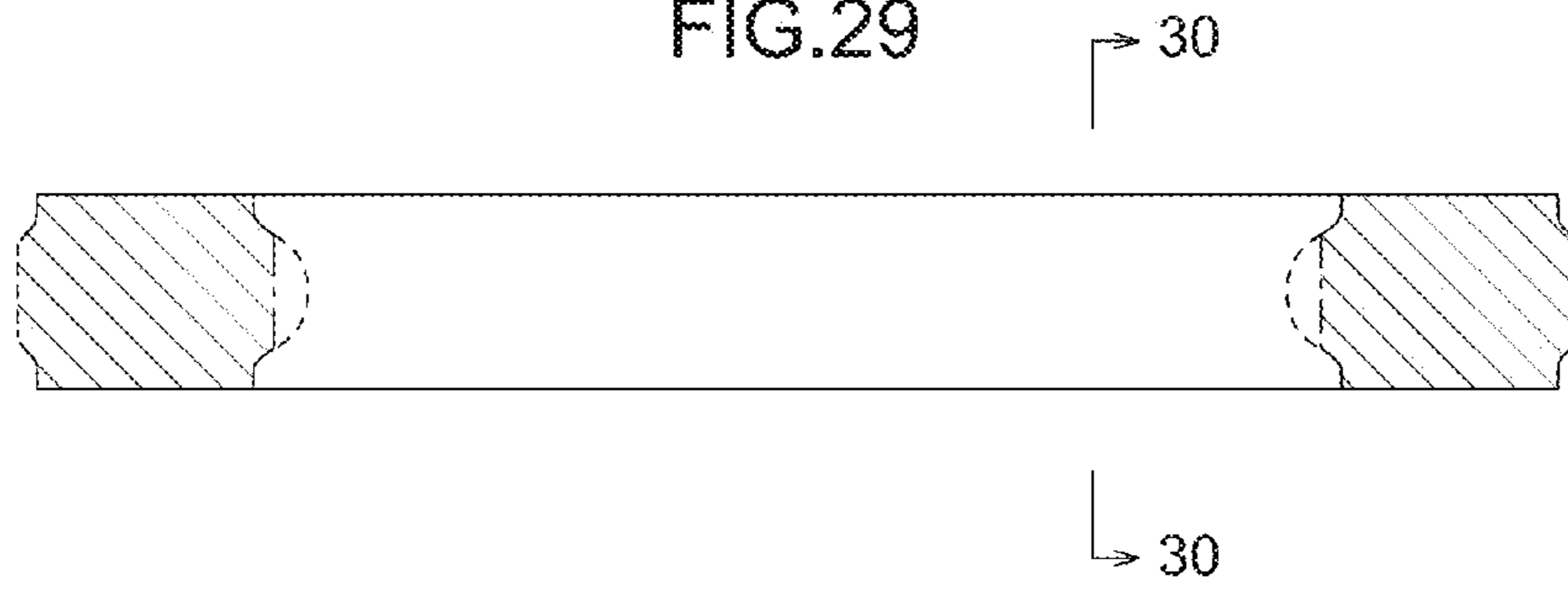


FIG.30

