

US00D737413S

(12) **United States Design Patent**
Drury et al.

(10) **Patent No.:** **US D737,413 S**
(45) **Date of Patent:** **** Aug. 25, 2015**

(54) **JET BODY FOR USE WITH GROMMETS**

(71) Applicant: **Custom Molded Products, Inc.**,
Newnan, GA (US)
(72) Inventors: **William J. Drury**, Peachtree City, GA
(US); **H. Charles Li**, Peachtree City, GA
(US)
(73) Assignee: **Custom Molded Products, Inc.**,
Newnan, GA (US)

(**) Term: **14 Years**
(21) Appl. No.: **29/513,390**
(22) Filed: **Dec. 30, 2014**

6,470,508	B2 *	10/2002	Turner	4/541.1
6,691,336	B2 *	2/2004	Buck	4/541.6
6,889,916	B2 *	5/2005	Loyd et al.	239/261
D550,334	S *	9/2007	De Alba	D23/259
D612,912	S *	3/2010	Delaney et al.	D23/259
D613,826	S *	4/2010	Hall et al.	D23/259
D678,481	S *	3/2013	Branco	D23/260
8,458,825	B2 *	6/2013	Peng et al.	4/541.6
8,869,320	B1 *	10/2014	Santamarina et al.	4/541.6
2007/0033725	A1 *	2/2007	Holtsnider	4/541.6
2008/0127407	A1 *	6/2008	Wooten	4/541.6
2009/0133188	A1 *	5/2009	Peng et al.	4/541.6
2009/0249539	A1 *	10/2009	Holtsnider	4/541.6
2009/0276952	A1 *	11/2009	Wooten	4/541.6
2010/0299825	A1 *	12/2010	Fleischer	4/541.6
2011/0004993	A1 *	1/2011	Frei	4/492
2012/0174312	A1 *	7/2012	Loyd et al.	4/541.6
2012/0192348	A1 *	8/2012	Campbell	4/541.6
2012/0272447	A1 *	11/2012	Fleischer	4/541.6

* cited by examiner

Related U.S. Application Data

(62) Division of application No. 29/470,729, filed on Oct. 24, 2013.
(51) **LOC (10) Cl.** **23-01**
(52) **U.S. Cl.**
USPC **D23/262**
(58) **Field of Classification Search**
USPC D23/259, 260, 261, 262, 263, 264, 265,
D23/266, 267, 268; 4/492, 443, 507, 541.1,
4/541.6, 215; 138/39, 103, 105, 109,
138/118, 121, 122, 157, 158; 285/58,
285/179-183
See application file for complete search history.

Primary Examiner — John Windmuller

Assistant Examiner — Steven Czyz

(74) *Attorney, Agent, or Firm* — Laurence P. Cohen; Smith
Risley Tempei Santos LLC

(56) **References Cited**

U.S. PATENT DOCUMENTS

D244,937	S *	7/1977	Houk	D23/259
D284,603	S *	7/1986	Loignon	D23/259
5,848,444	A *	12/1998	Christopherson	4/541.6
5,915,849	A *	6/1999	Dongo	4/541.6
D437,633	S *	2/2001	Weise et al.	D23/263
6,263,522	B1 *	7/2001	Dongo et al.	4/541.6
D460,192	S *	7/2002	Collins et al.	D24/204

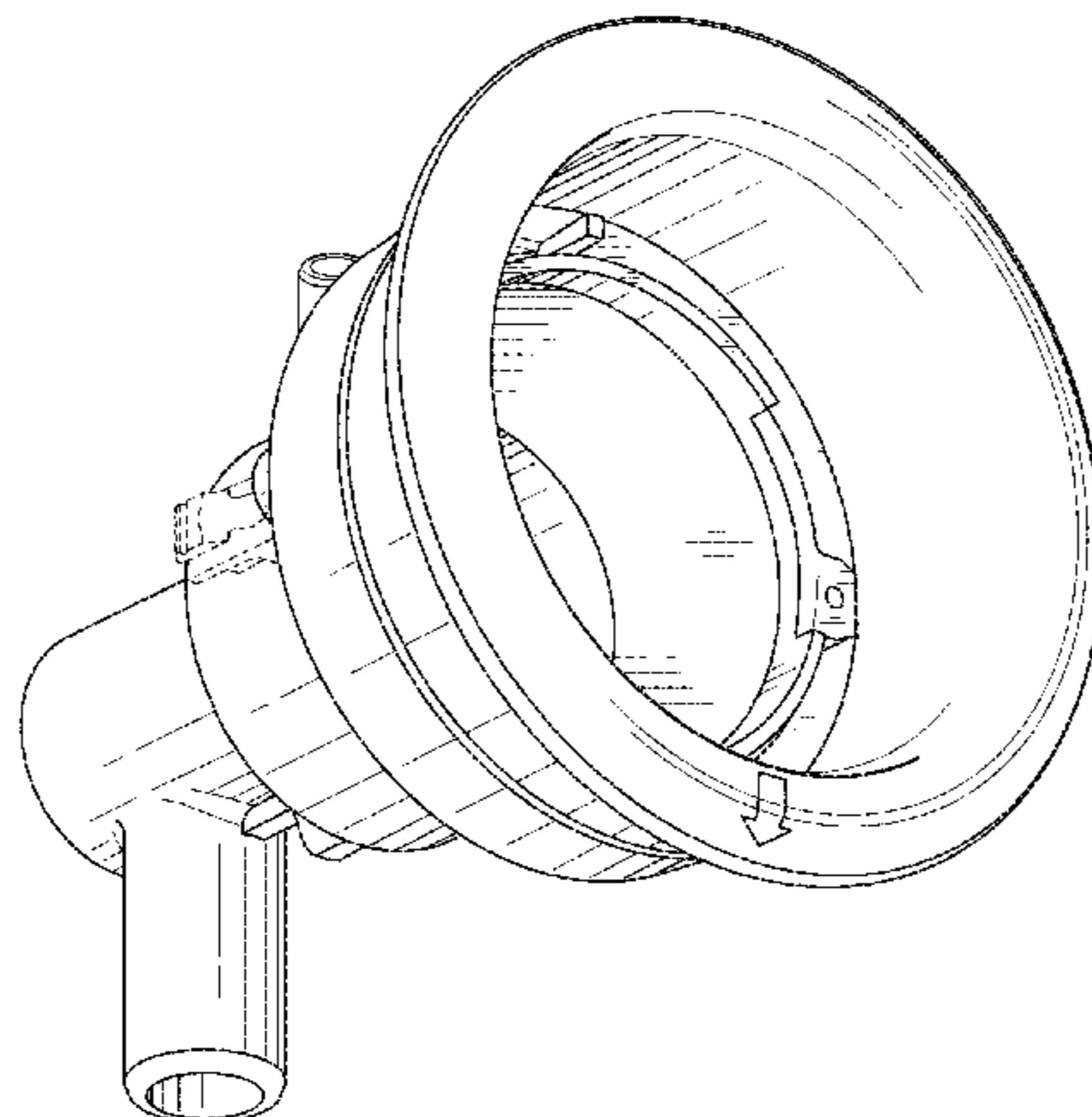
(57) **CLAIM**

The ornamental design for a jet body for use with grommets,
as shown and described.

DESCRIPTION

FIG. 1 is a side perspective view of a new design for a jet body
for use with grommets.
FIG. 2 is a front view thereof.
FIG. 3 is a rear view thereof.
FIG. 4 is a right side view thereof.
FIG. 5 is a left side view thereof.
FIG. 6 is a top view thereof; and,
FIG. 7 is a bottom view thereof.
The broken line showing is included for the purpose of illus-
trating portions of the article and forms no part of the claimed
design.

1 Claim, 7 Drawing Sheets



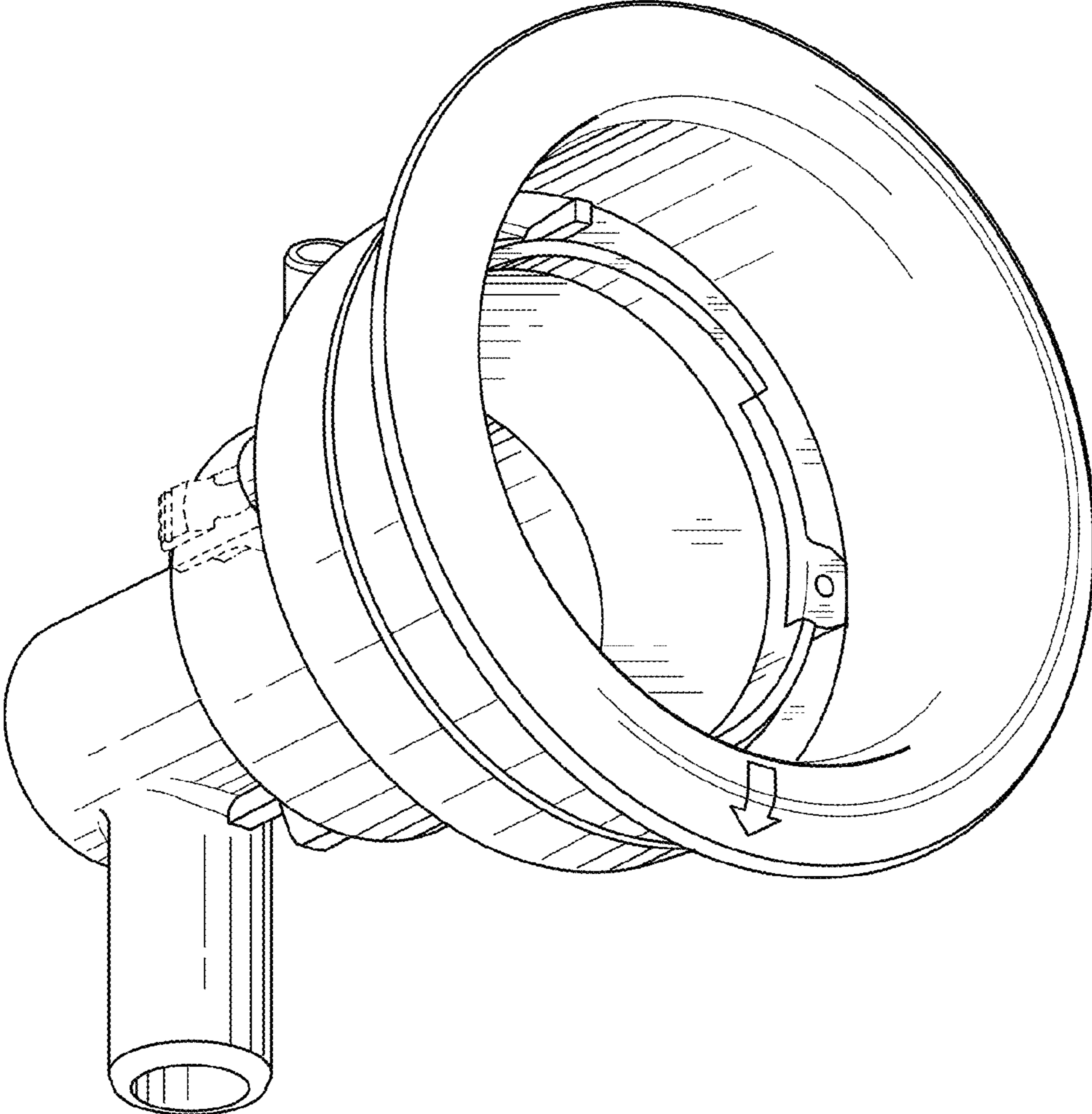


FIG. 1

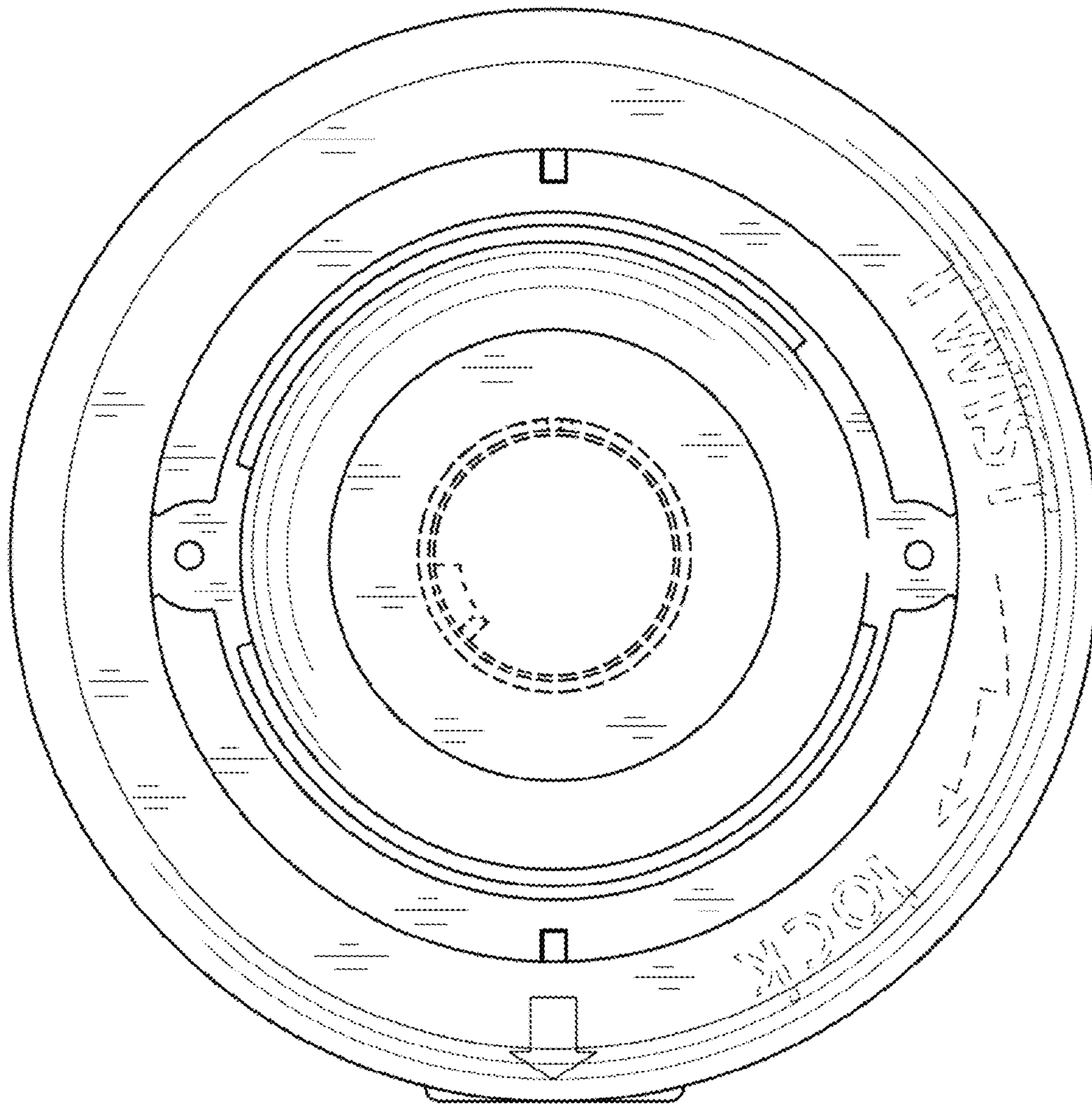


FIG. 2

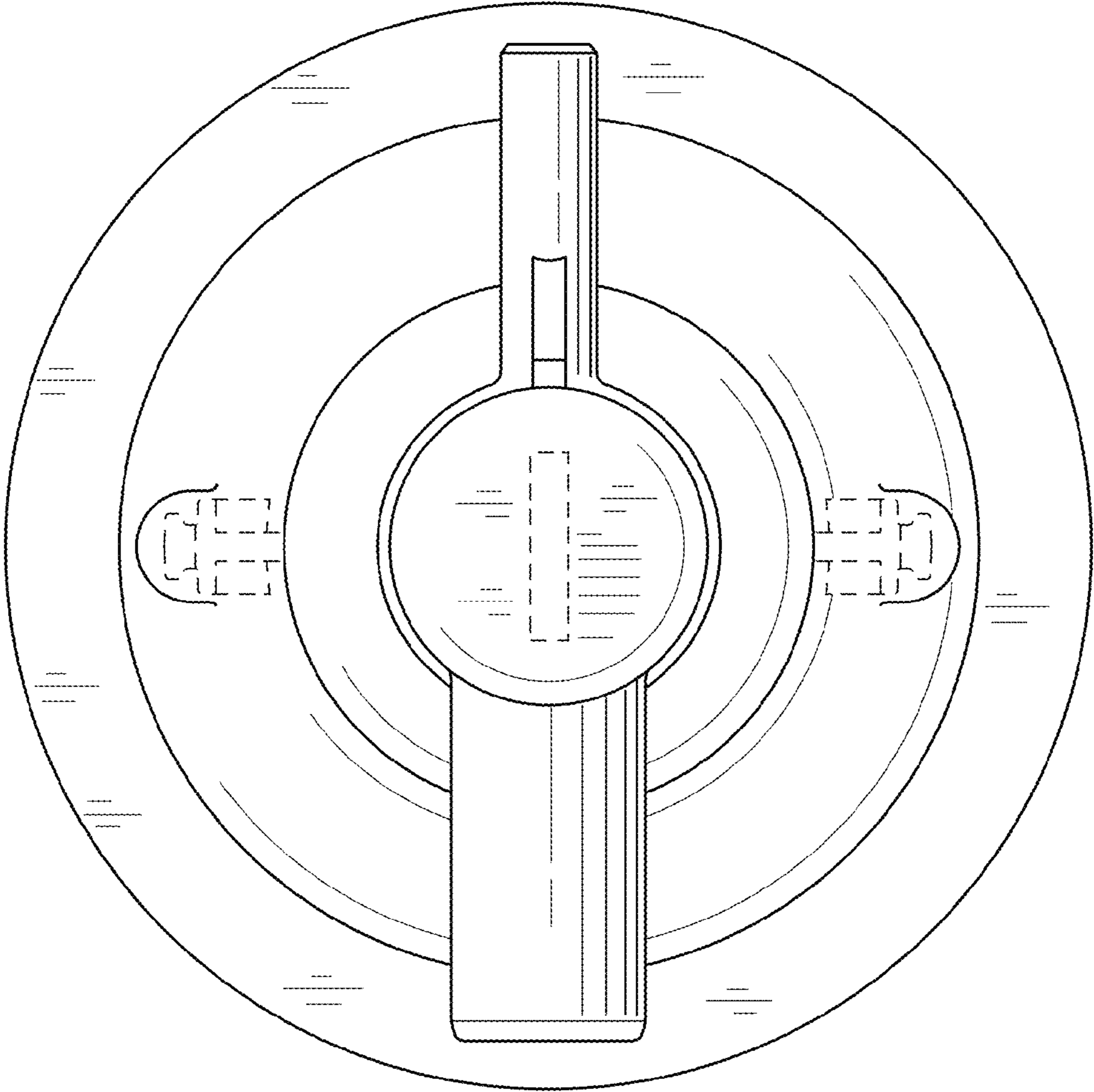


FIG. 3

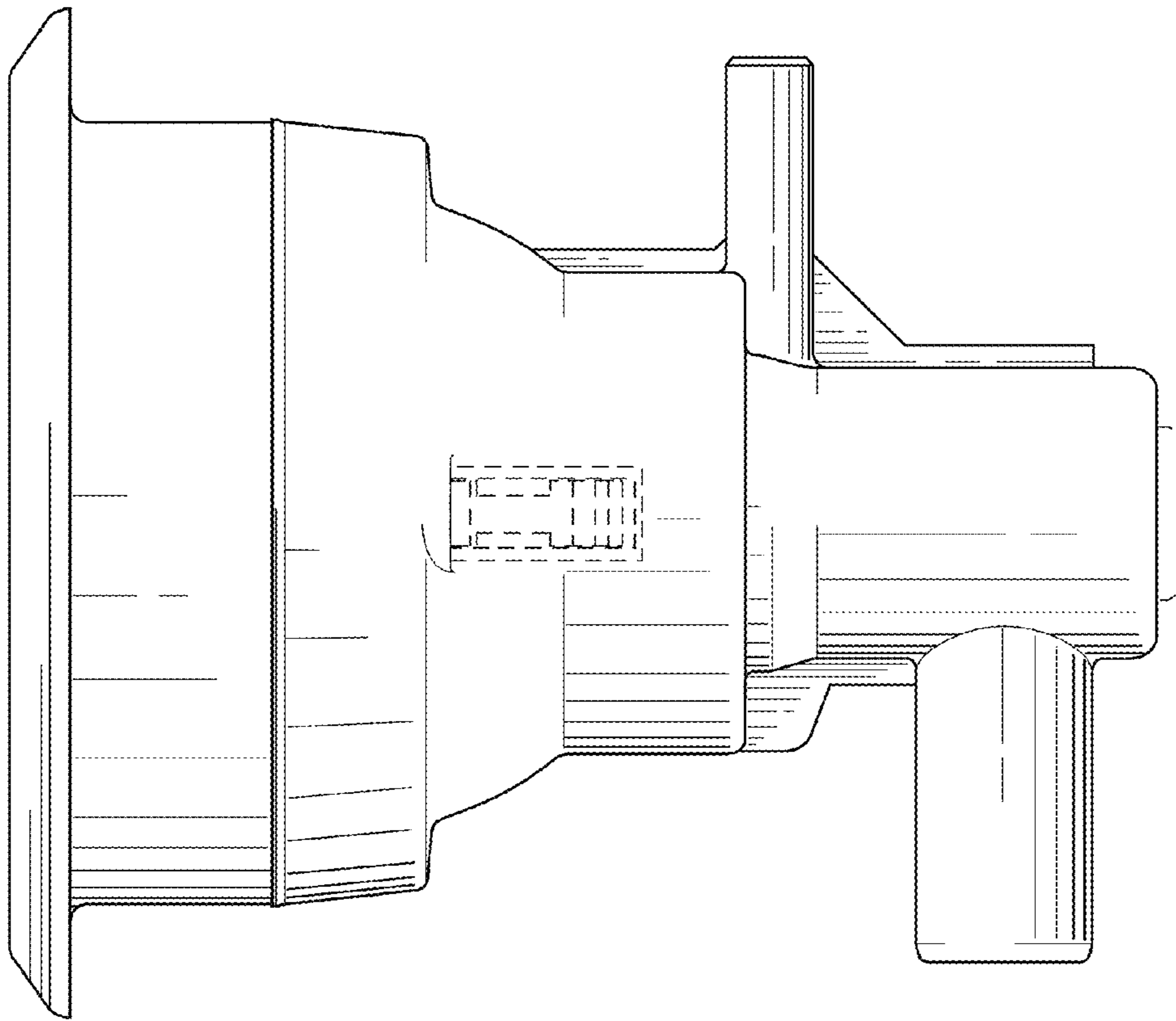


FIG. 4

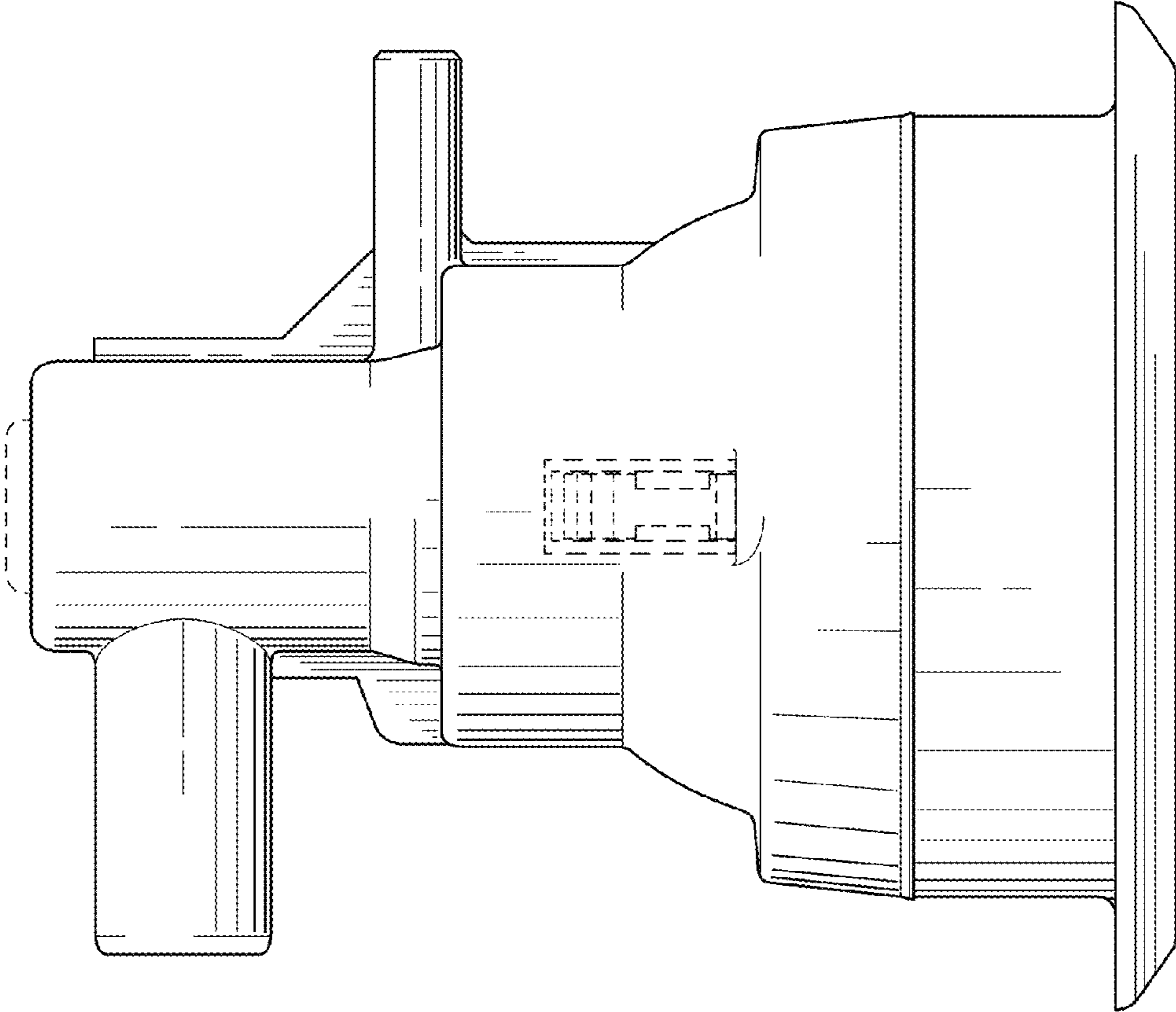


FIG. 5

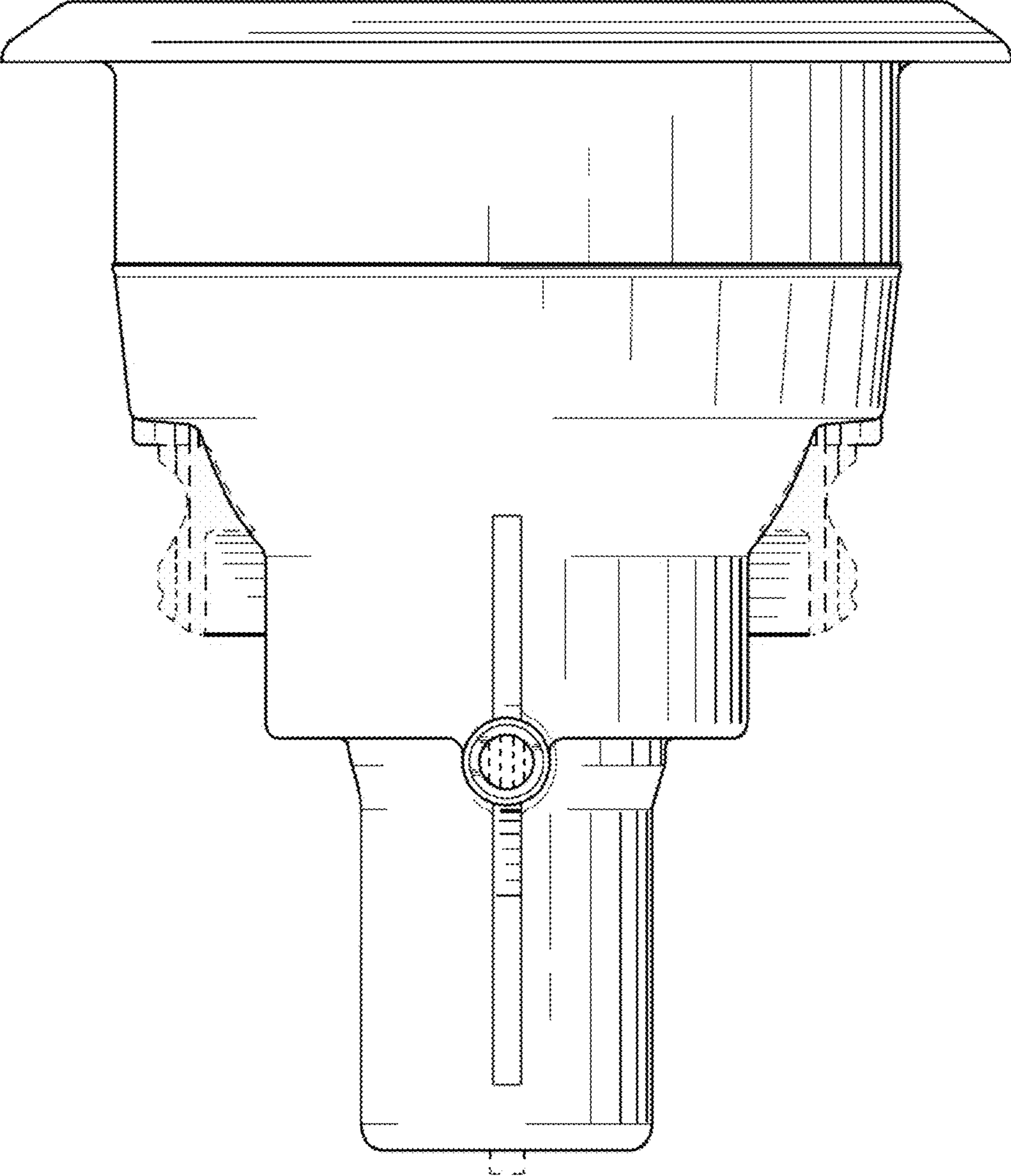


FIG. 6

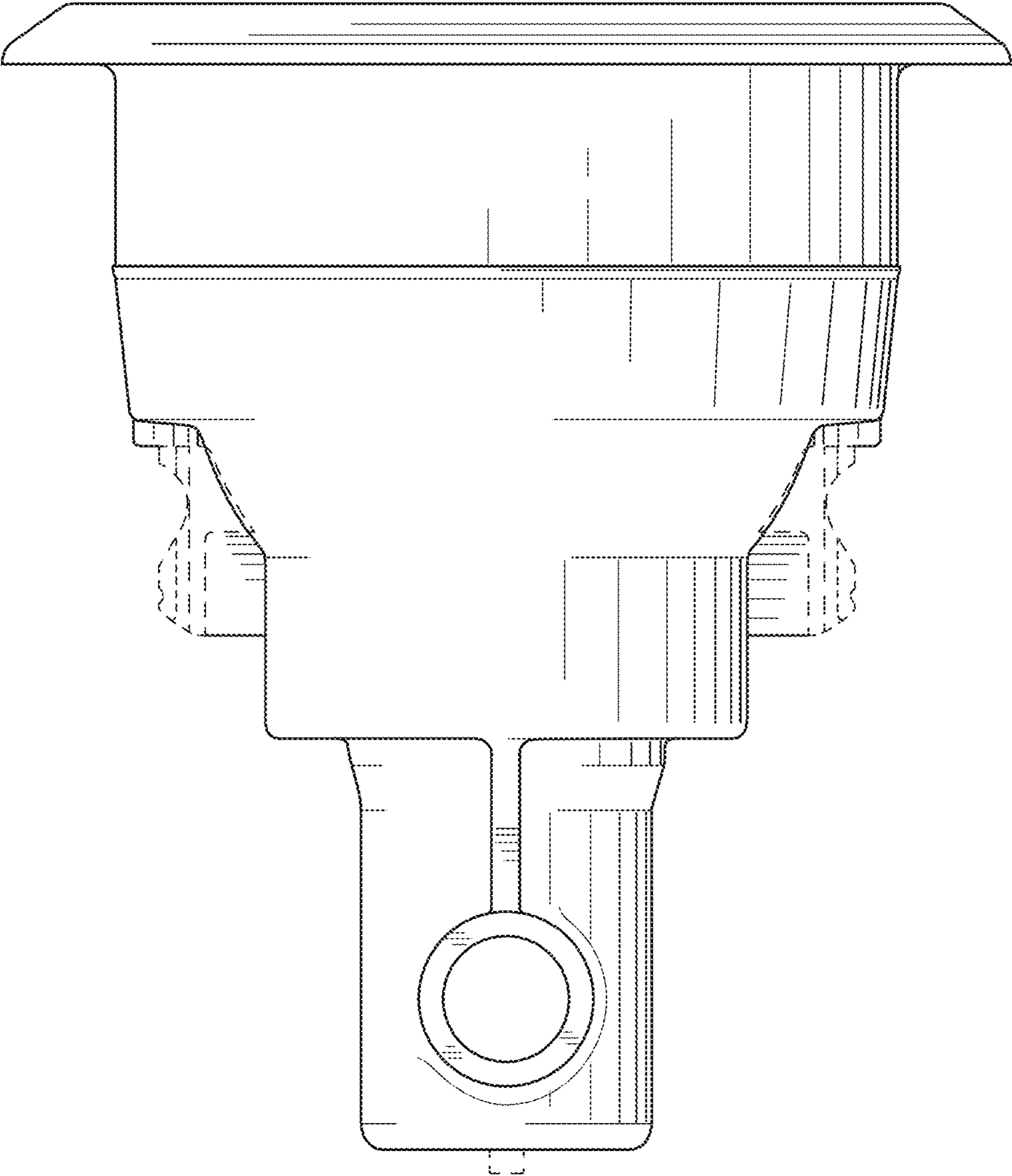


FIG. 7