



US00D737409S

(12) **United States Design Patent**  
**Waggoner et al.**

(10) **Patent No.:** **US D737,409 S**

(45) **Date of Patent:** **\*\* Aug. 25, 2015**

(54) **TANK FLUSHER BODY**

(71) Applicants: **Christopher H. Waggoner**, Greensboro, NC (US); **Jeffrey R. Russell**, Winston-Salem, NC (US)

(72) Inventors: **Christopher H. Waggoner**, Greensboro, NC (US); **Jeffrey R. Russell**, Winston-Salem, NC (US)

(73) Assignee: **Camco Manufacturing, Inc.**, Greensboro, NC (US)

(\*\*) Term: **14 Years**

(21) Appl. No.: **29/474,981**

(22) Filed: **Apr. 9, 2015**

(51) **LOC (10) Cl.** ..... **23-01**

(52) **U.S. Cl.**  
USPC ..... **D23/235**

(58) **Field of Classification Search**  
USPC ..... D23/235, 259–269; 285/1, 53, 285/104–105, 404, 112, 340, 367, 373, 915, 285/11–12, 7, 394–395, 307, 179, 179.1, 285/133.11, 423, 358, 903; 251/129.17, 251/30.01; 411/5, 10  
CPC ..... E03D 5/105; E03D 1/36; E03D 5/024; E03D 9/005; E03D 1/302; E03D 1/34  
See application file for complete search history.

(56) **References Cited**

U.S. PATENT DOCUMENTS

D476,074 S *	6/2003	Stout, Jr. ....	D23/393
D615,630 S	5/2010	Price	
D615,631 S *	5/2010	Price et al. ....	D23/263
D634,818 S *	3/2011	Leroyer ....	D23/263
D726,288 S *	4/2015	Sisk ....	D23/263
D727,472 S *	4/2015	Bednarz et al. ....	D23/263
D728,752 S *	5/2015	Browning ....	D23/263
2013/0099477 A1 *	4/2013	Horiguchi ....	285/179

\* cited by examiner

*Primary Examiner* — Cynthia Ramirez

*Assistant Examiner* — Gino Colan

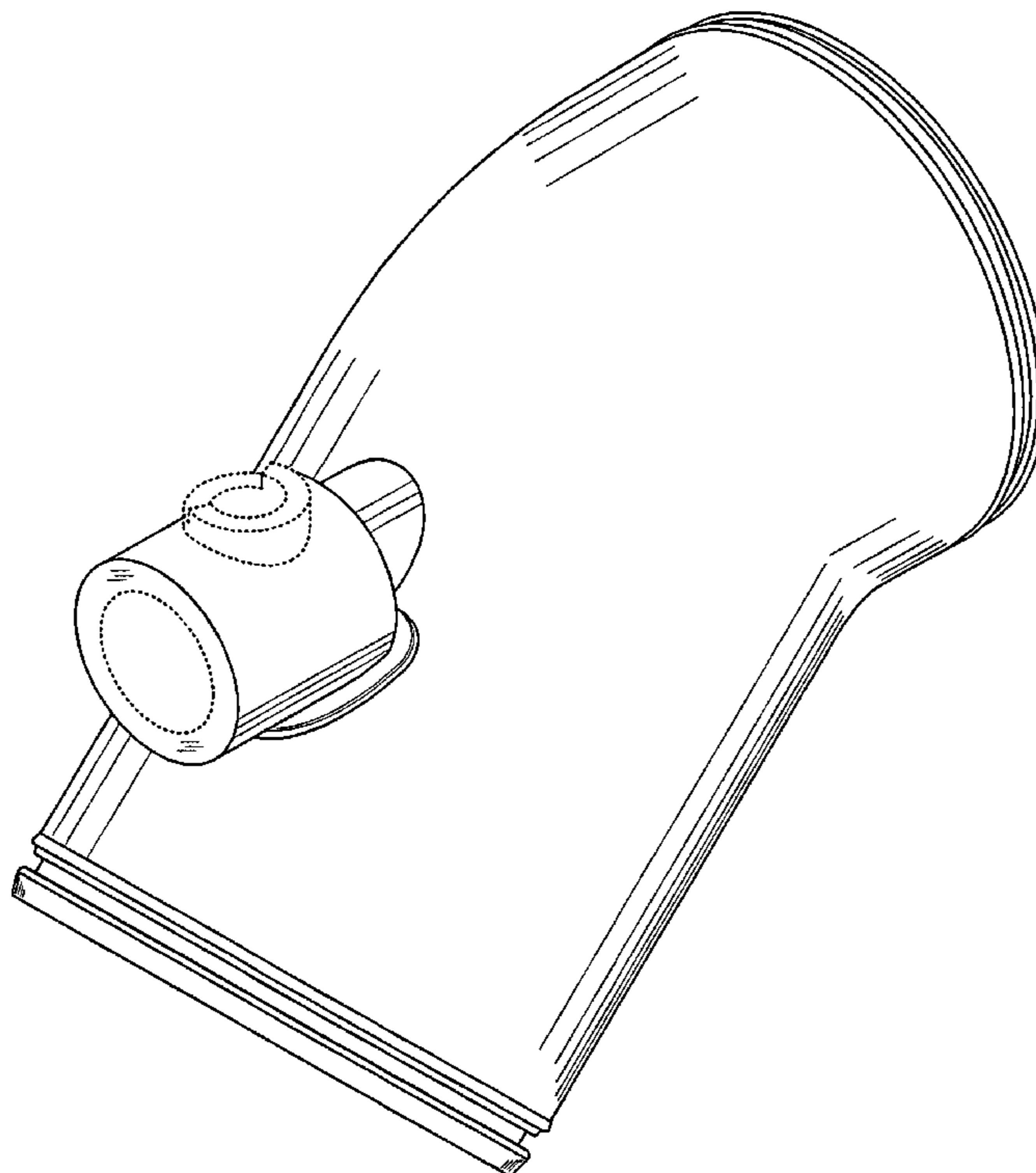
(57) **CLAIM**

The ornamental design for a tank flusher body, as shown and described.

**DESCRIPTION**

FIG. 1 is a front, top, left side perspective view of a tank flusher body showing our new design; FIG. 2 is a front elevational view, and the rear elevational view being a mirror image thereof; FIG. 3 is a top plan view according to the invention; and, FIG. 4 is a bottom plan view according to the invention; and, FIG. 5 is a left elevational view according to the invention; and, FIG. 6 is a right side elevational view according to the invention. The broken lines in FIGS. 1 thru 6 are included for environmental purposes only and form no part of the claimed design.

**1 Claim, 6 Drawing Sheets**



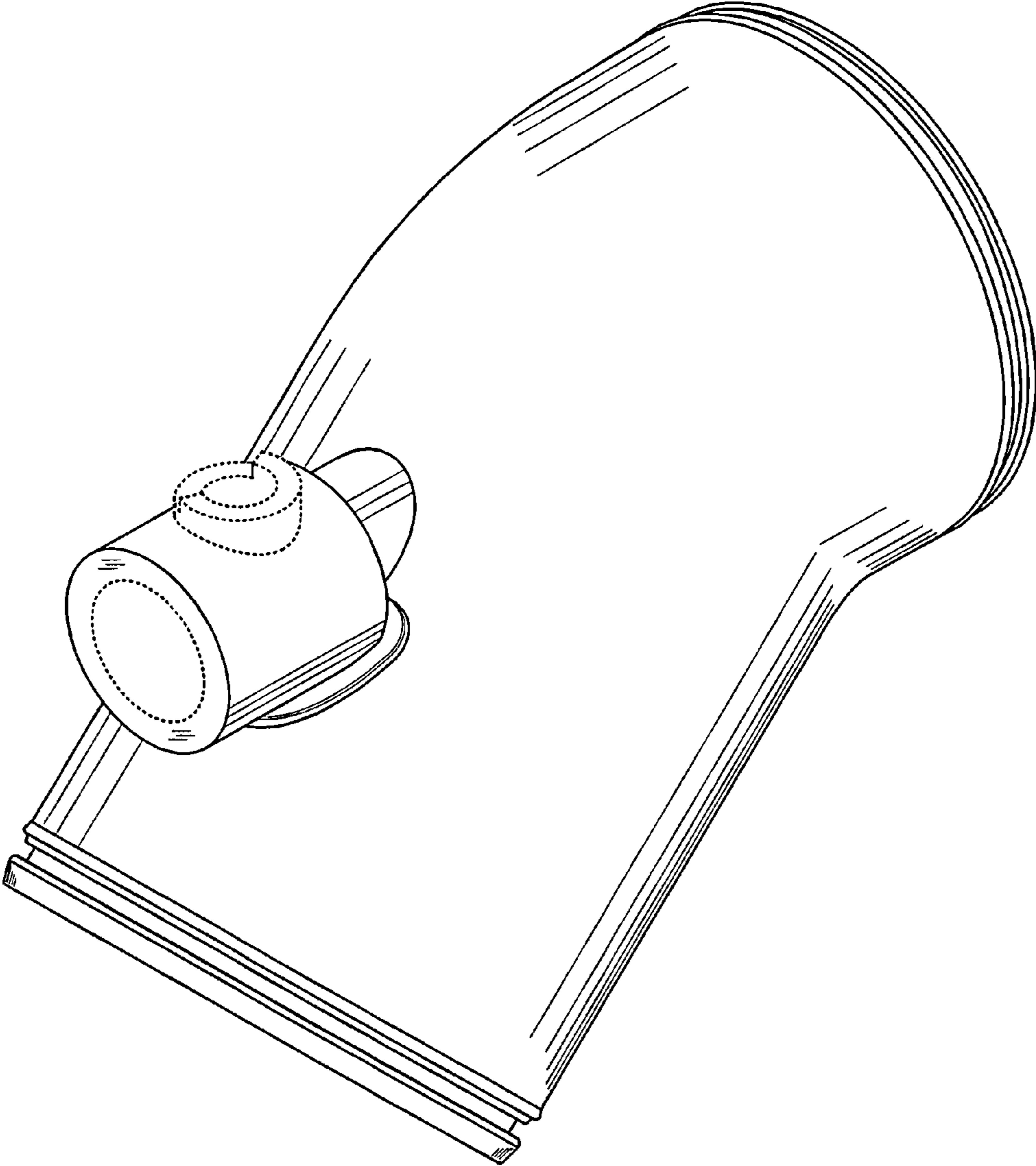


Fig. 1

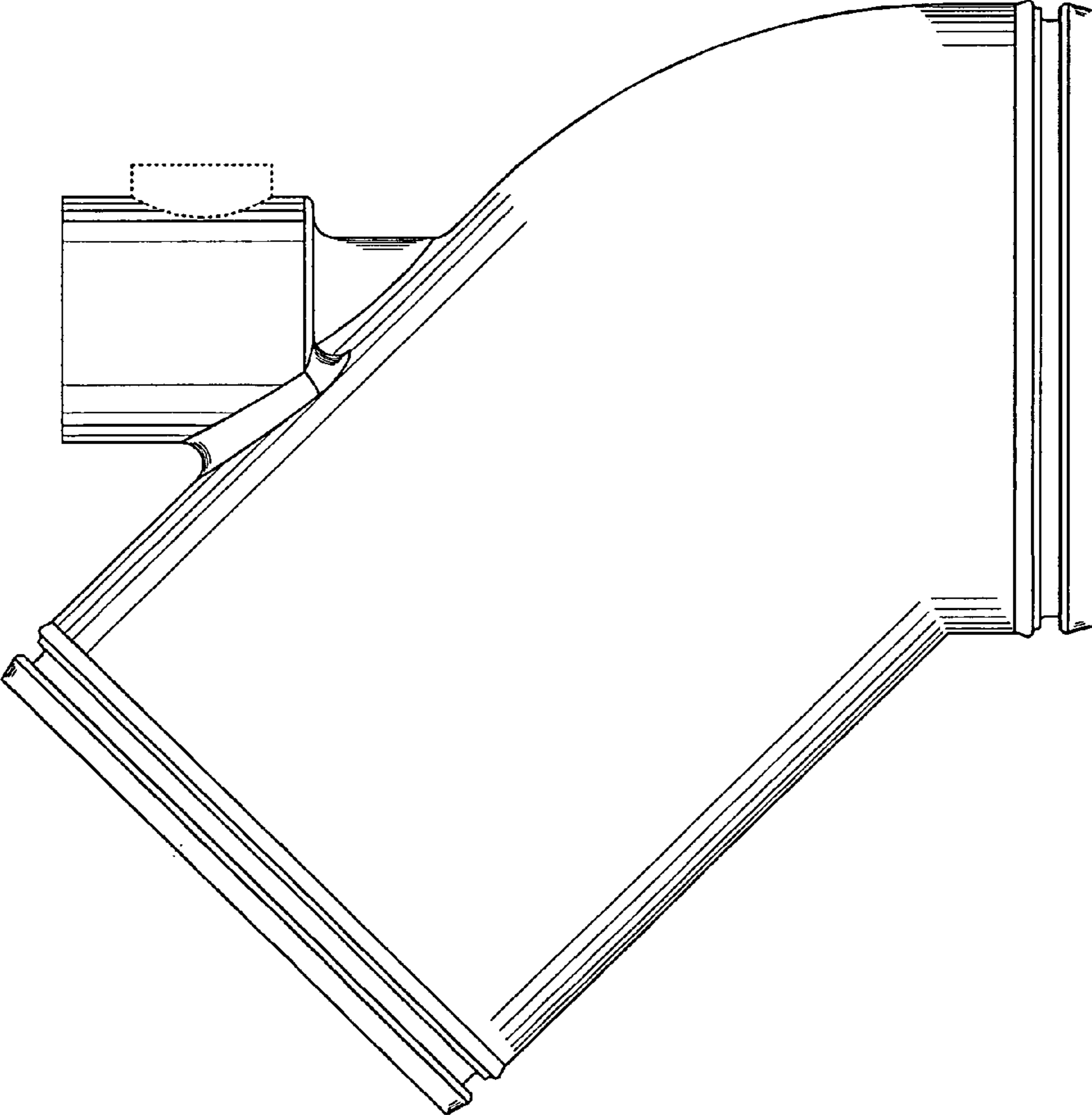


Fig. 2

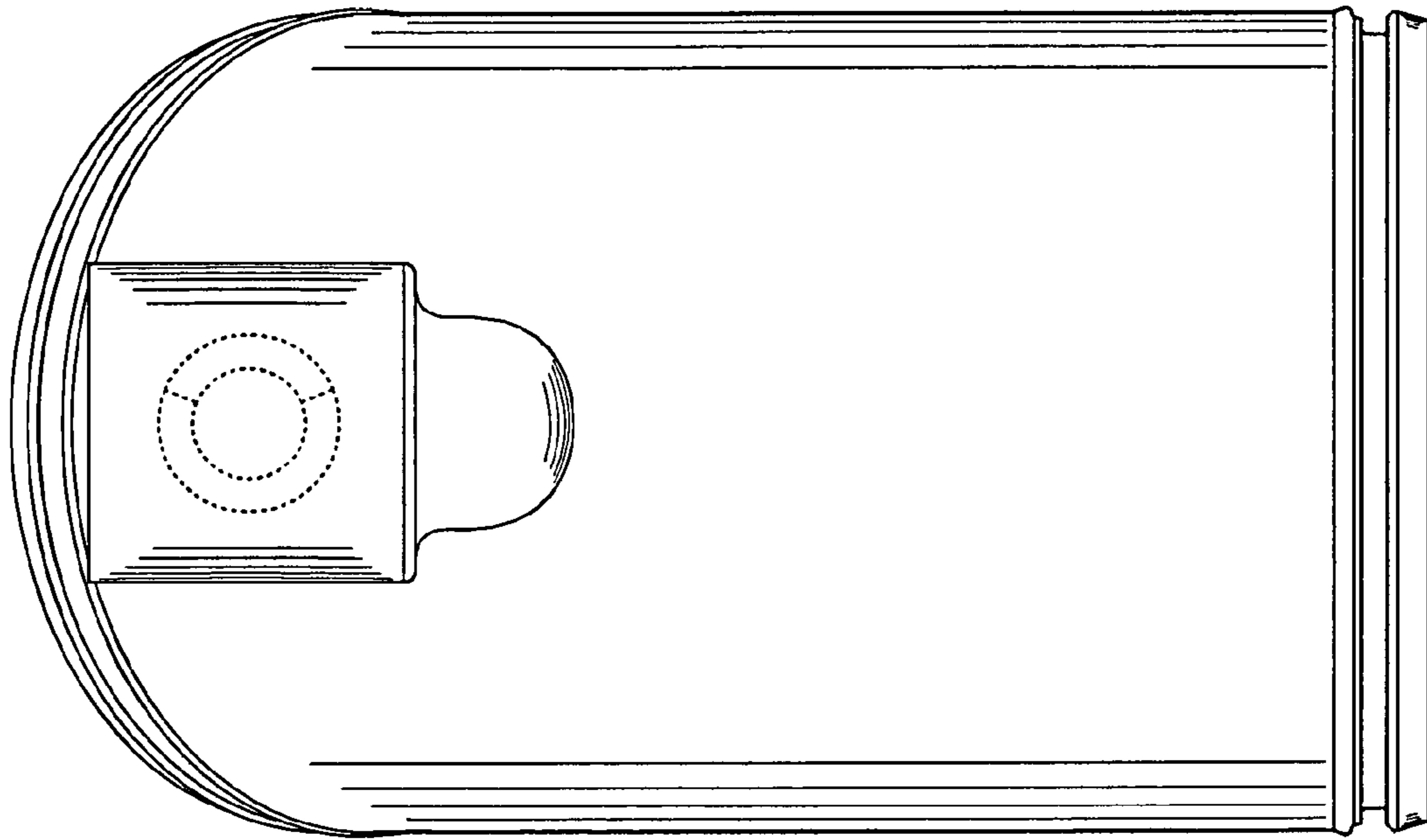


Fig. 3

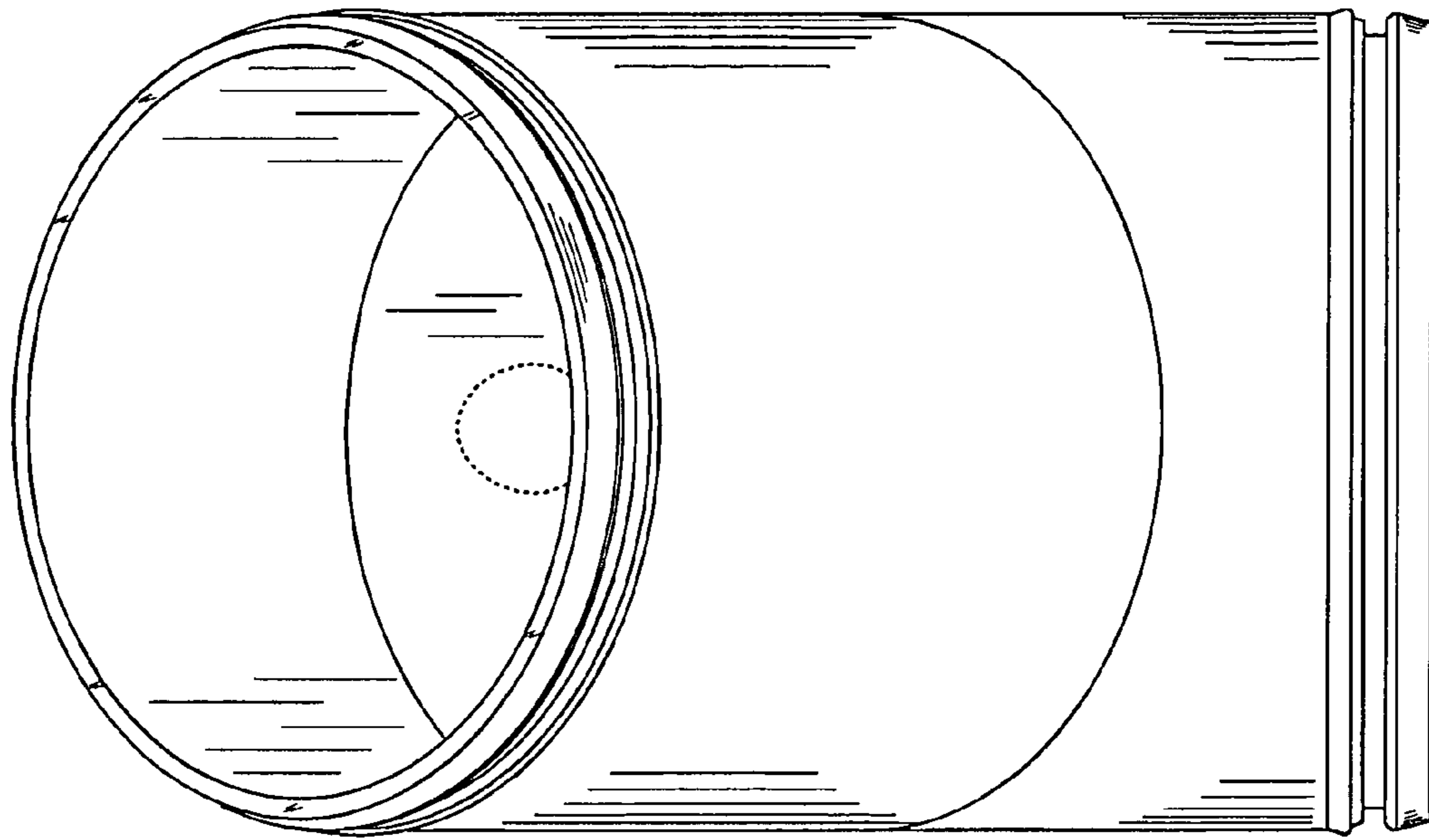


Fig. 4

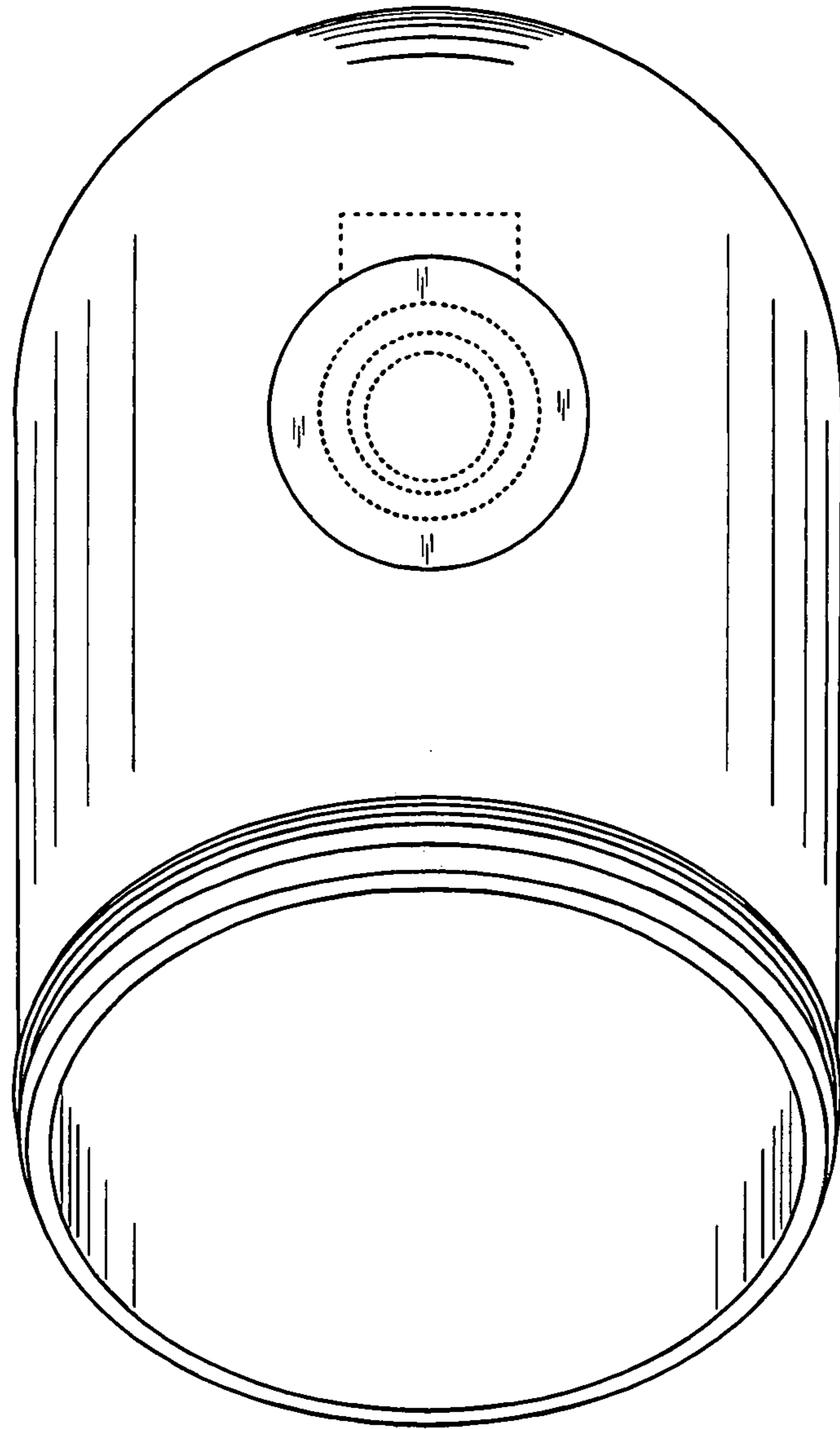


Fig. 5

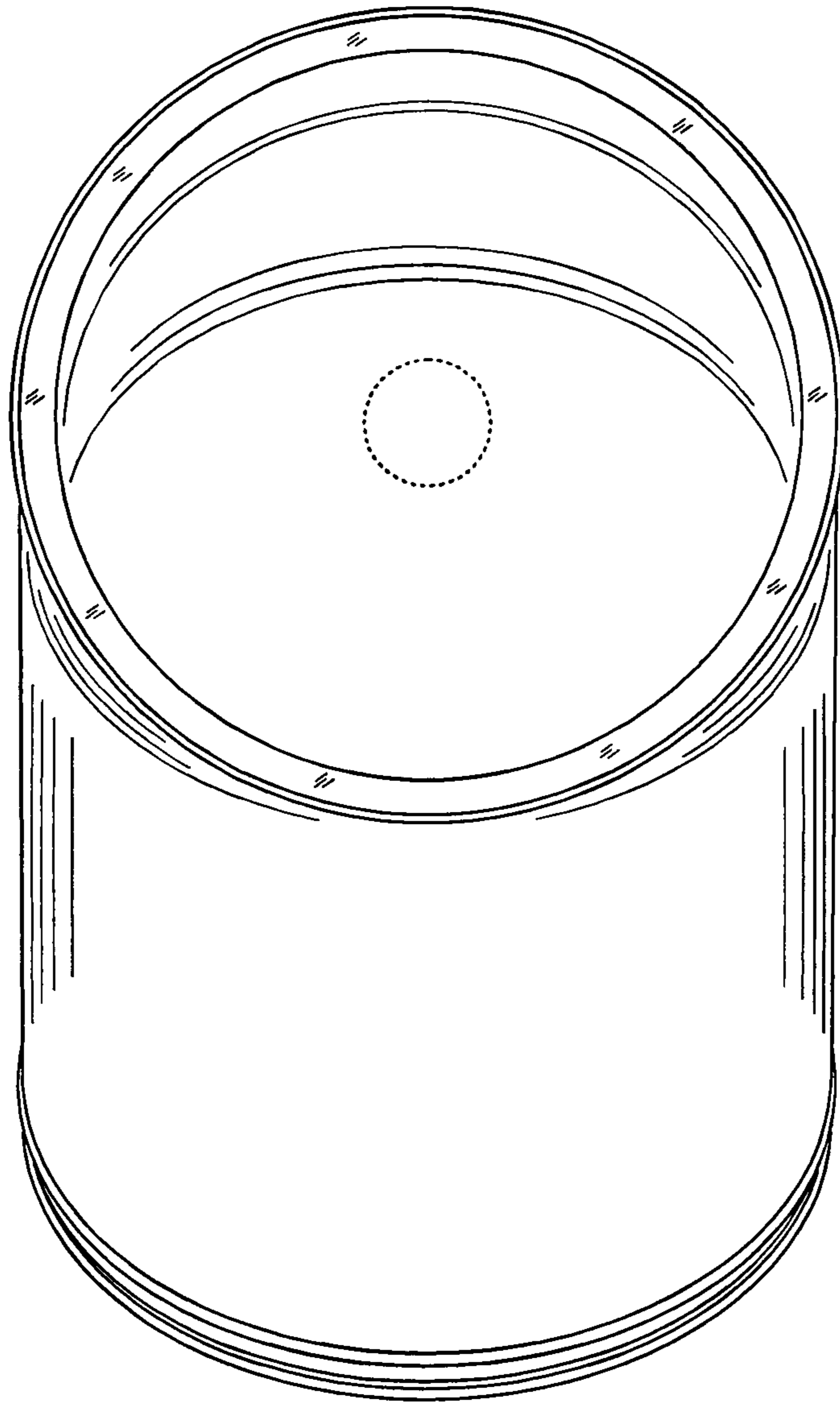


Fig. 6