



US00D737406S

(12) **United States Design Patent**
Waggoner et al.

(10) **Patent No.:** **US D737,406 S**

(45) **Date of Patent:** **** Aug. 25, 2015**

(54) **GATE VALVE FLANGE**

(56) **References Cited**

(71) Applicants: **Christopher H. Waggoner**, Greensboro, NC (US); **Jeffrey R. Russell**, Winston-Salem, NC (US)

U.S. PATENT DOCUMENTS

(72) Inventors: **Christopher H. Waggoner**, Greensboro, NC (US); **Jeffrey R. Russell**, Winston-Salem, NC (US)

4,544,188	A *	10/1985	Dugger	285/337
4,664,426	A *	5/1987	Ueki	285/337
4,874,192	A *	10/1989	Key	285/337
D371,138	S *	6/1996	Waskiewicz	D15/5
D383,965	S *	9/1997	Ichihara	D8/353
D418,847	S *	1/2000	Ichihara	D15/143
6,050,614	A *	4/2000	Kirkpatrick	285/368
D442,197	S *	5/2001	Willet	D15/143
D670,793	S *	11/2012	Marquis-Martin	D23/259
2007/0216162	A1 *	9/2007	Ennin et al.	285/406

(73) Assignee: **Camco Manufacturing, Inc.**, Greensboro, NC (US)

* cited by examiner

(**) Term: **14 Years**

Primary Examiner — Cynthia Ramirez
Assistant Examiner — Gino Colan

(21) Appl. No.: **29/474,980**

(57) **CLAIM**
The ornamental design for a gate valve flange, as shown and described.

(22) Filed: **Apr. 9, 2015**

DESCRIPTION

(51) **LOC (10) Cl.** **23-01**

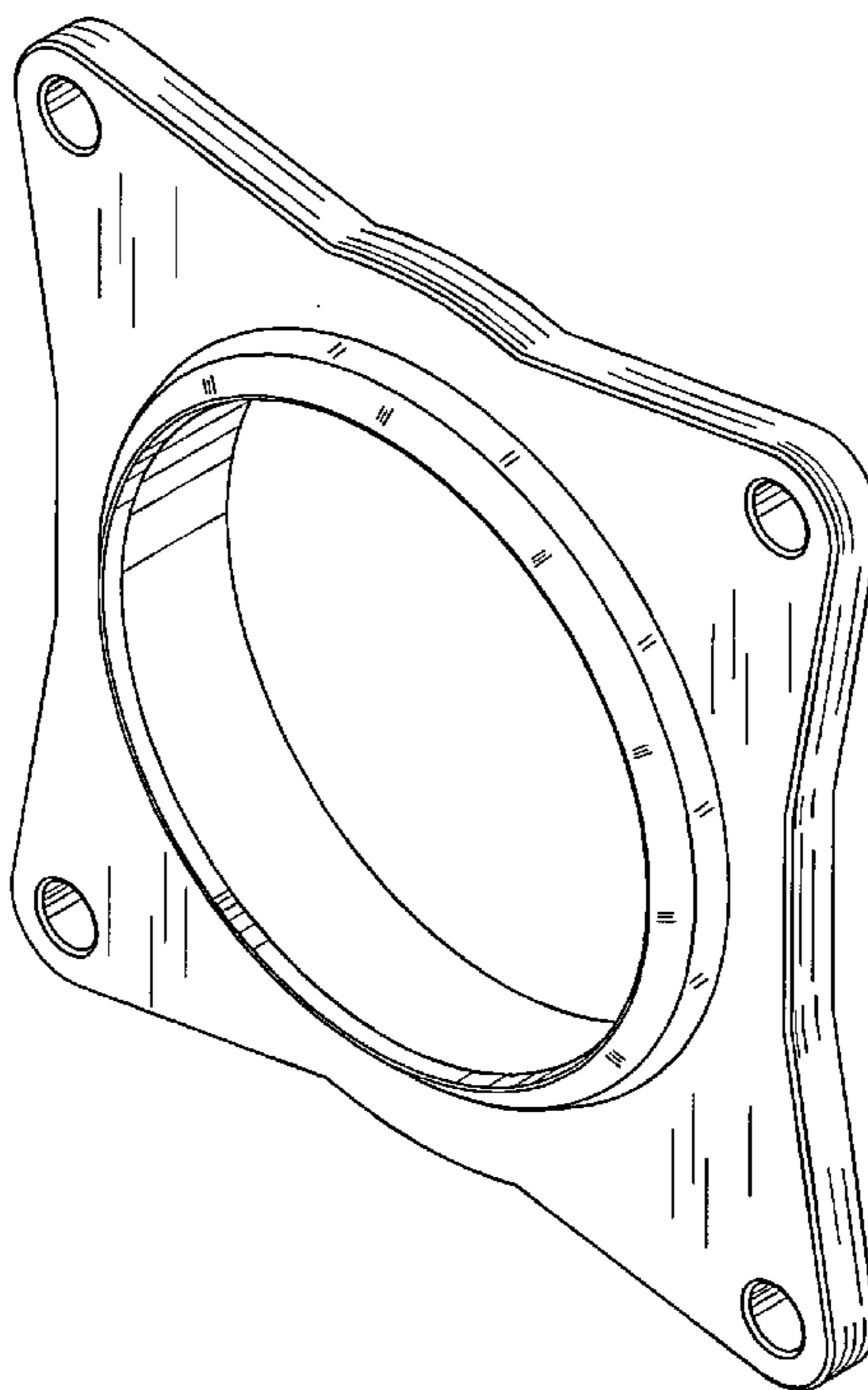
(52) **U.S. Cl.**
USPC **D23/233**

(58) **Field of Classification Search**
USPC D23/233-269; 251/214, 330, 306, 363; 137/315.26, 15.09; 285/368, 412, 285/293.1, 388, 406, 413, 414, 223, 337, 285/24; D8/353, 382
CPC F16K 5/063; F16K 5/0642; F16K 15/03; F16K 5/0657; F16K 15/202

FIG. 1 is a front, top, right side perspective view of a gate valve flange according to the invention;
FIG. 2 is a front elevational view according to the invention; and,
FIG. 3 is a back elevational view according to the invention; and,
FIG. 4 is a right elevational view according to the invention; and the left side elevation view being a mirror image thereof;
FIG. 5 is a top plan view according to the invention; and the bottom plan view being a mirror image thereof; and,
FIG. 6 is a top, back, left perspective view according to the invention.

See application file for complete search history.

1 Claim, 5 Drawing Sheets



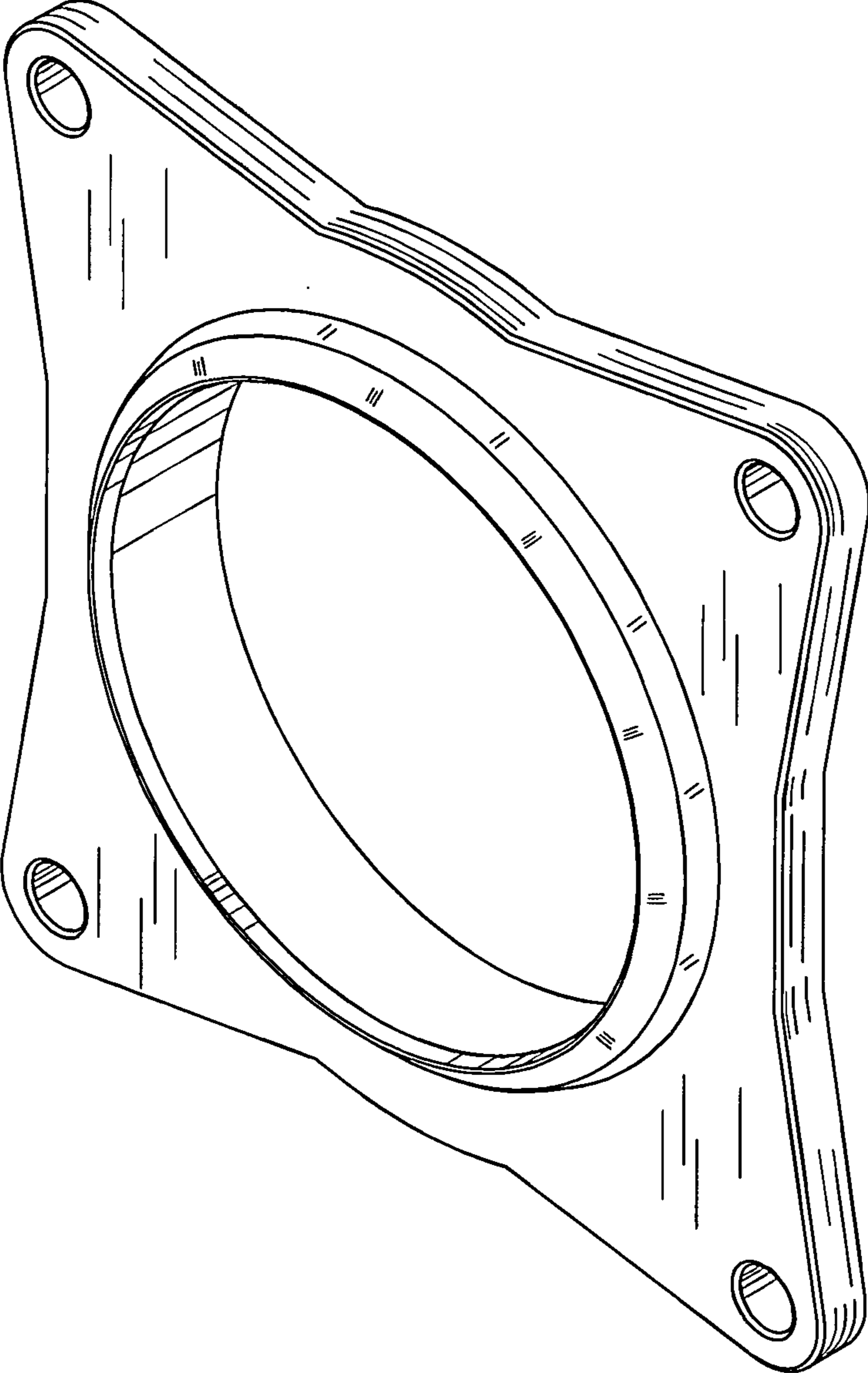


Fig. 1

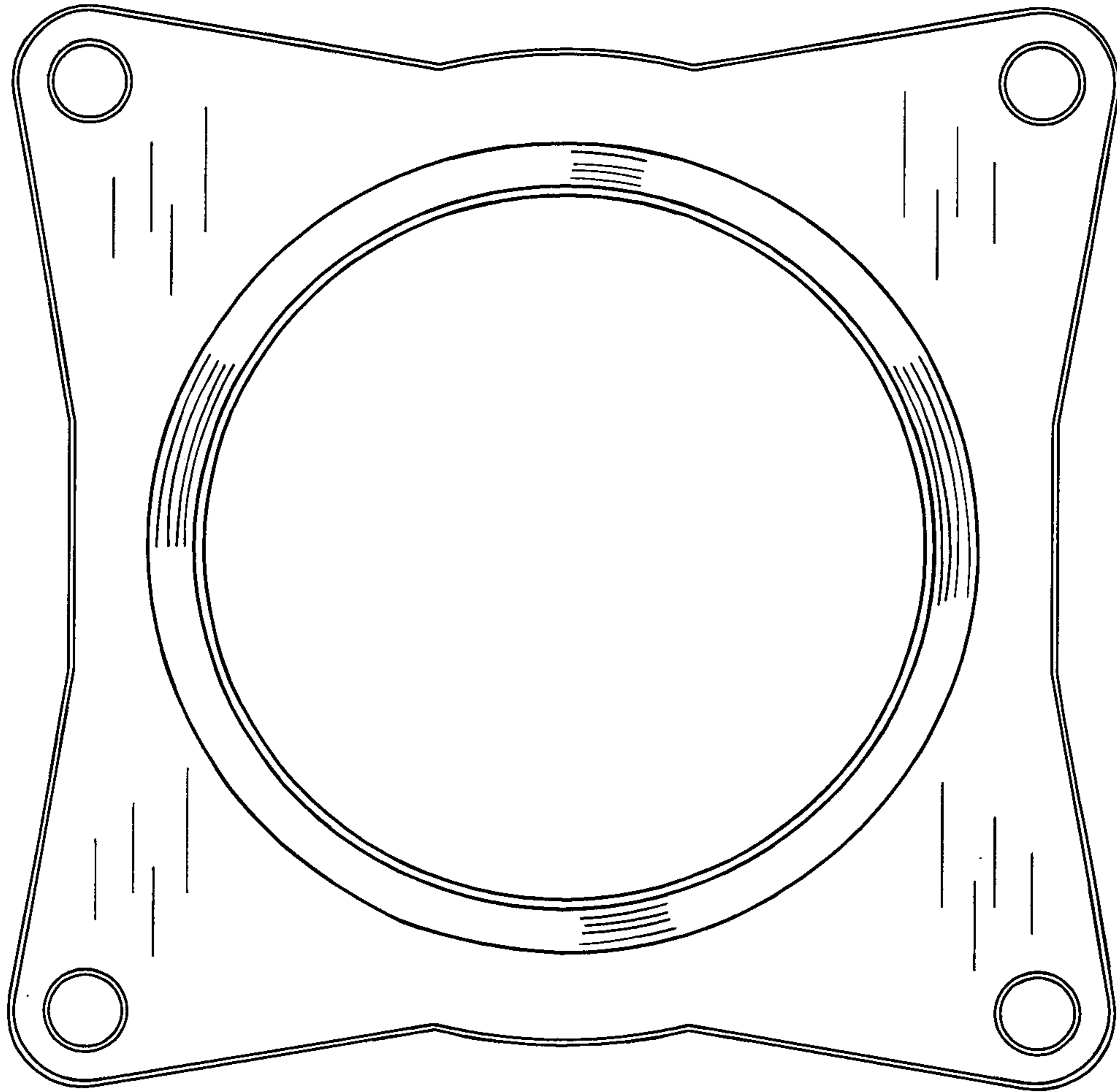


Fig. 2

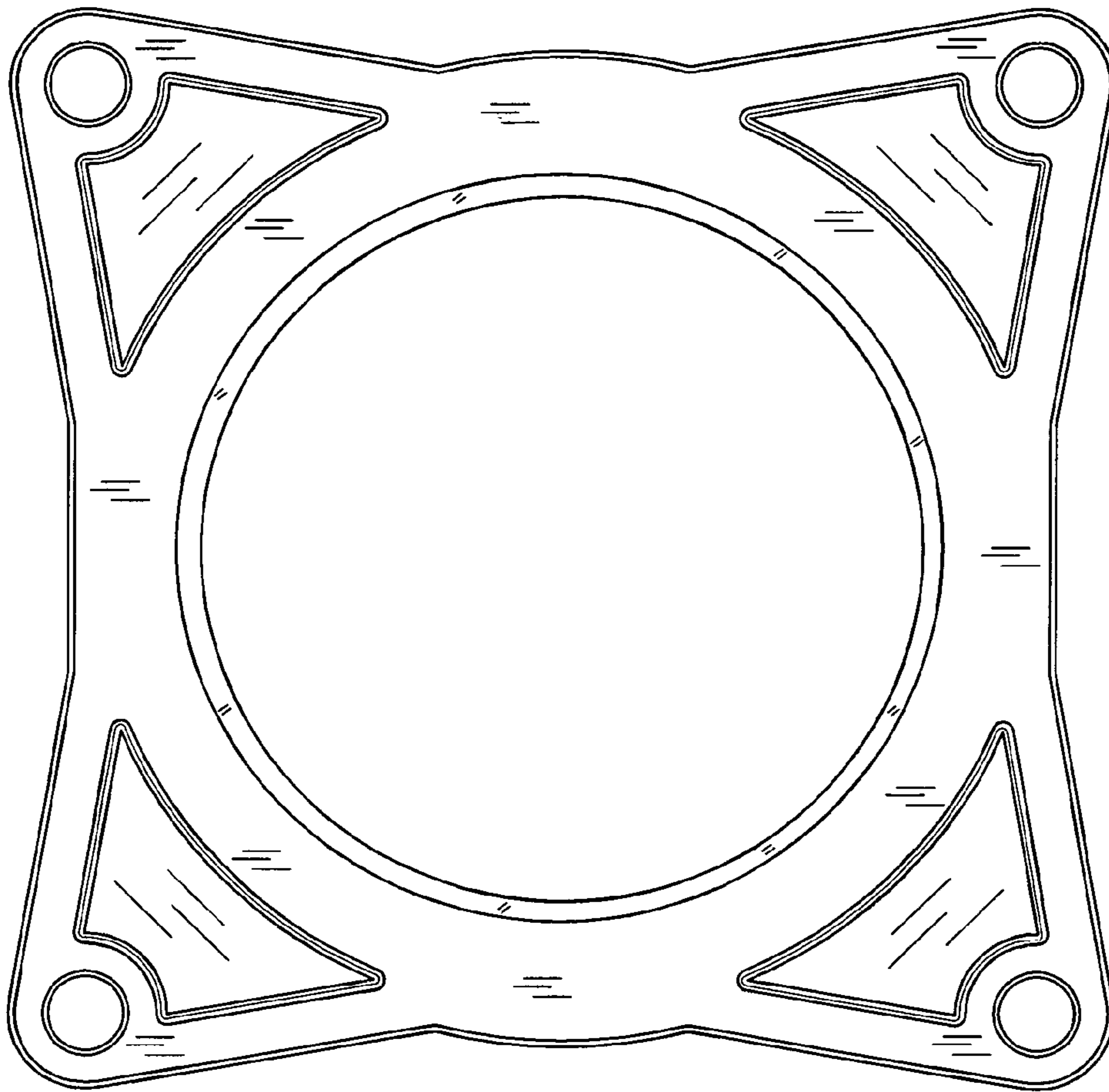


Fig. 3

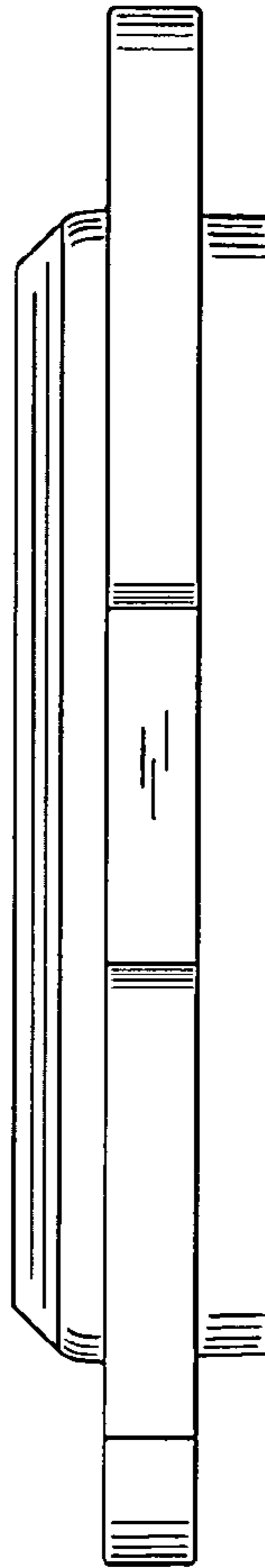


Fig. 4

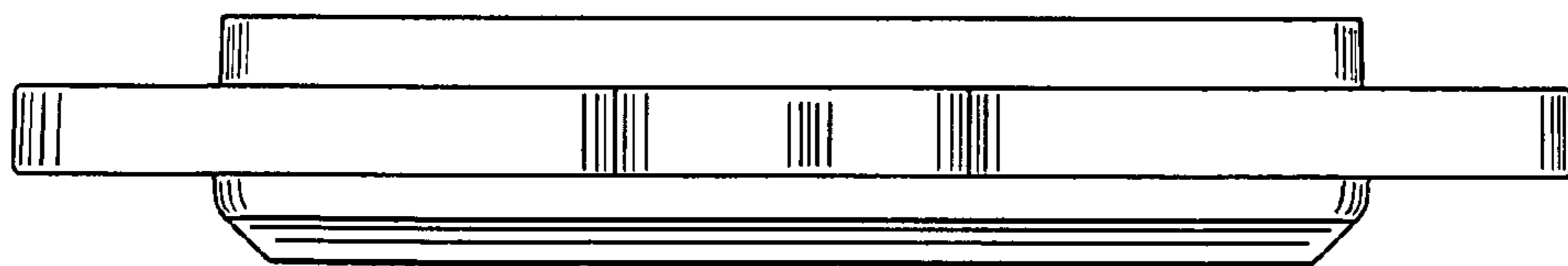


Fig. 5

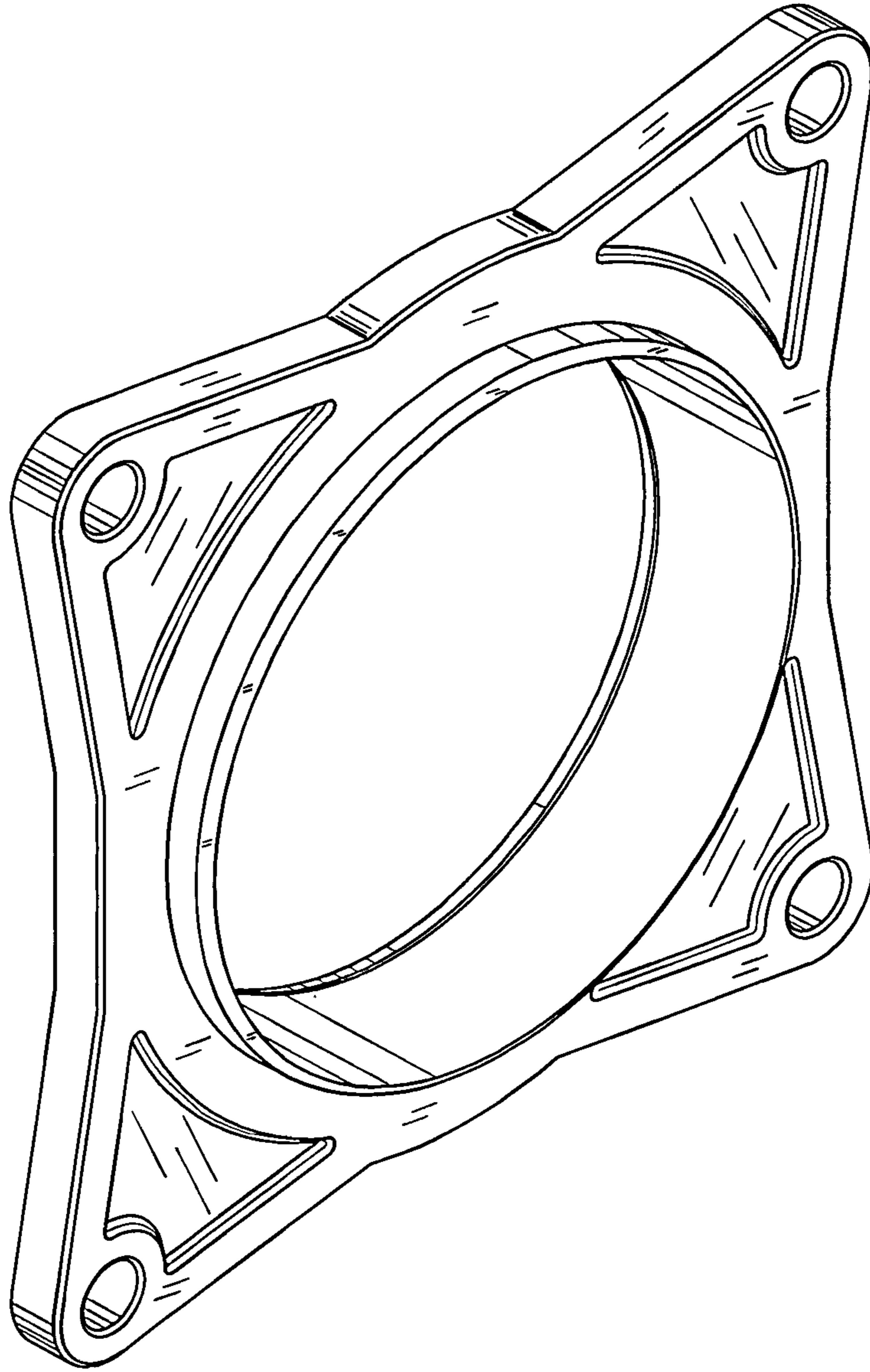


Fig. 6