



US00D737404S

(12) **United States Design Patent**  
**Claussen**

(10) **Patent No.:** **US D737,404 S**

(45) **Date of Patent:** **\*\* Aug. 25, 2015**

(54) **BROADCAST HOOD**  
(71) Applicant: **Willmar Fabrication, LLC**, Willmar, MN (US)

5,371,969 A 12/1994 Clauseen et al.  
D356,629 S 3/1995 Claussen et al.  
5,398,874 A 3/1995 Dailey

(Continued)

(72) Inventor: **Steven W Claussen**, Glenwood, MN (US)

FOREIGN PATENT DOCUMENTS

(73) Assignee: **Willmar Fabrication, LLC**, Willmar, MN (US)

CA 689054 6/1964  
FR 1314571 1/1963

(\*\*) Term: **14 Years**

(21) Appl. No.: **29/461,212**

(22) Filed: **Jul. 19, 2013**

(51) **LOC (10) Cl.** ..... **23-01**

(52) **U.S. Cl.**  
USPC ..... **D23/214**

(58) **Field of Classification Search**  
USPC ..... D23/213, 214, 227; 239/77, 159, 161, 239/288, 288.5, 288.3; 47/1.7

See application file for complete search history.

OTHER PUBLICATIONS

“94-95” catalog illustrating “Hose Shank Nozzle Bodies and Vari-Spacing Clamps,” p. 61; Custom Ag Products, Inc., Benson, MN; 1 page.

*Primary Examiner* — Robin V Webster

(74) *Attorney, Agent, or Firm* — Mueting, Raasch & Gebhardt, P.A.

(57) **CLAIM**

The ornamental design for a broadcast hood, as shown and described.

**DESCRIPTION**

FIG. 1 is an upper perspective view of a broadcast hood; FIG. 2 is a top plan view of the broadcast hood of FIG. 1; FIG. 3 is a bottom plan view of the broadcast hood of FIG. 1; FIG. 4 is a front elevation view of the broadcast hood of FIG. 1; FIG. 5 is a rear elevation view of the broadcast hood of FIG. 1; FIG. 6 is a left side elevation view of the broadcast hood of FIG. 1; and, FIG. 7 is a right side elevation view of the broadcast hood of FIG. 1.

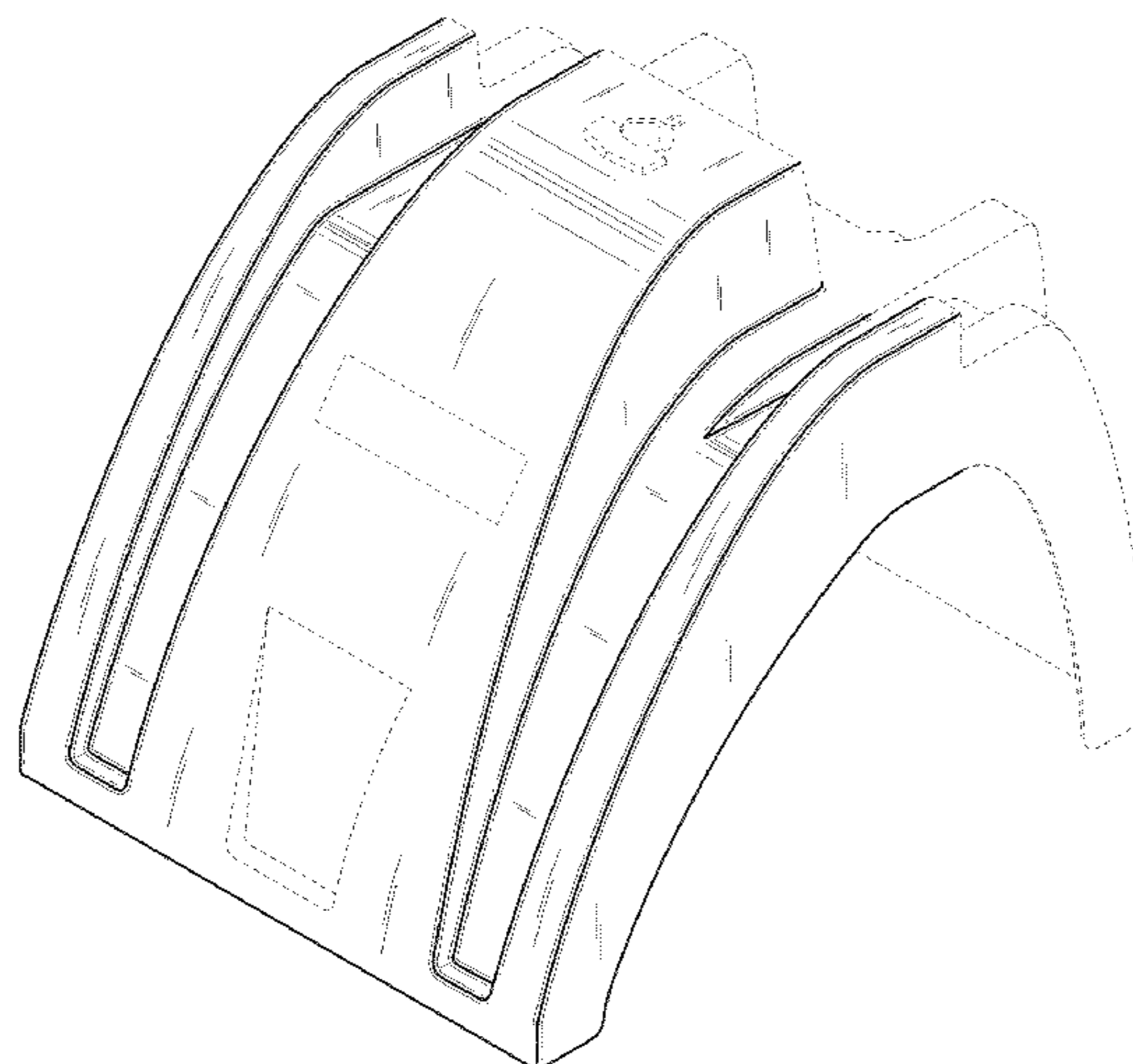
The broken lines immediately adjacent areas of the design represent the bounds of the claimed design while other broken lines are directed to environment and are for illustrative purposes only; features illustrated in broken lines form no part of the claimed design.

**1 Claim, 5 Drawing Sheets**

(56) **References Cited**

U.S. PATENT DOCUMENTS

556,447 A	3/1896	Van Deusen	
1,527,669 A	2/1925	Camp	
1,669,435 A	5/1928	Wheeler	
2,641,505 A	6/1953	Valois	
3,038,665 A *	6/1962	Doerr	239/104
4,274,589 A *	6/1981	Jones	239/167
4,379,522 A	4/1983	Elliott et al.	
4,441,655 A	4/1984	Blumhardt	
4,456,180 A	6/1984	Lury	
4,634,051 A	1/1987	Dudley	
4,711,398 A	12/1987	Ganderton et al.	
4,736,888 A	4/1988	Fasnacht	
4,947,581 A	8/1990	Claussen et al.	
5,012,608 A *	5/1991	Brown	47/1.7
5,069,090 A	12/1991	Clark	
5,155,935 A	10/1992	Tanimura et al.	
5,156,338 A	10/1992	Borland et al.	
5,248,090 A	9/1993	Williamson	



(56)

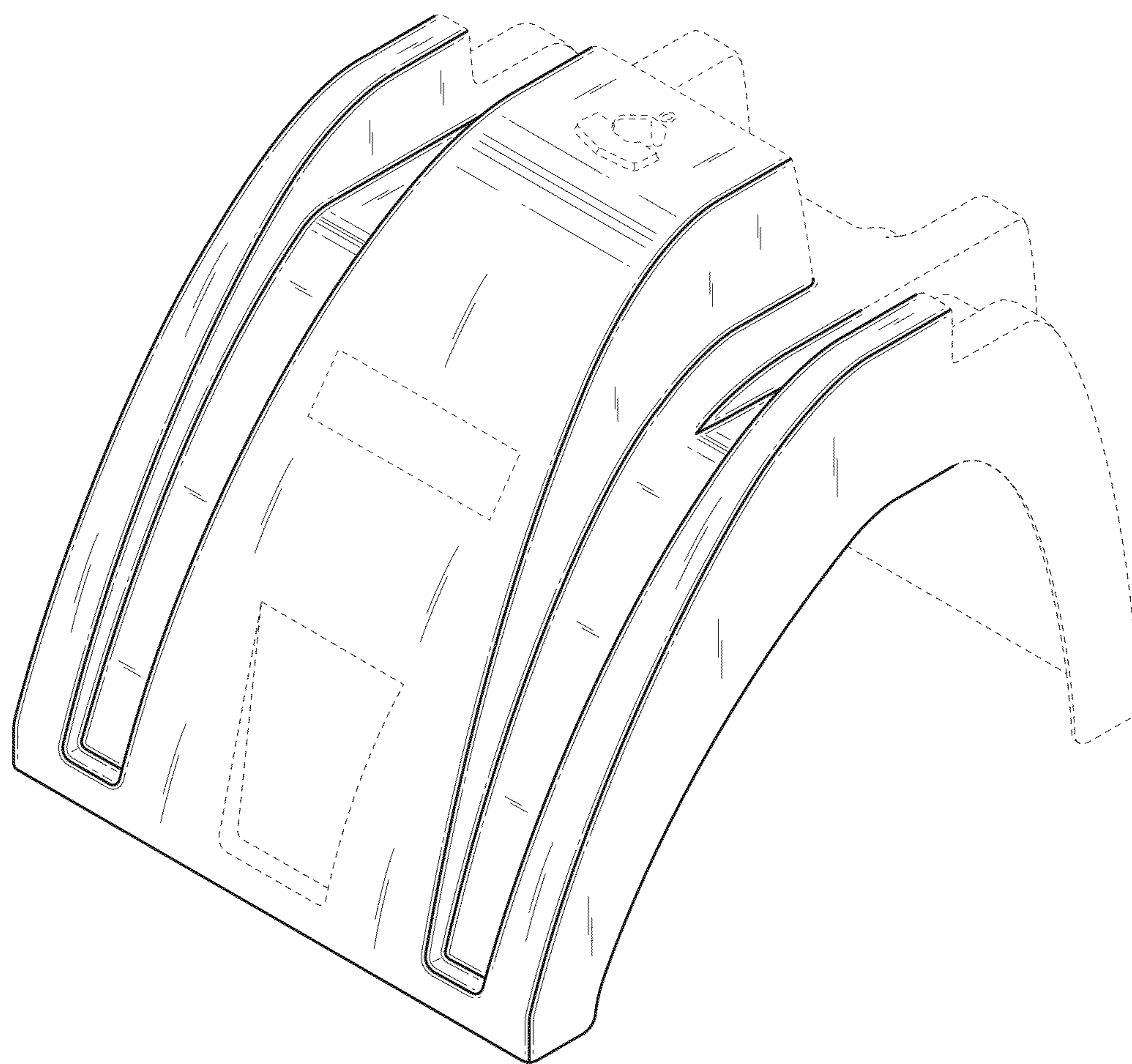
**References Cited**

U.S. PATENT DOCUMENTS

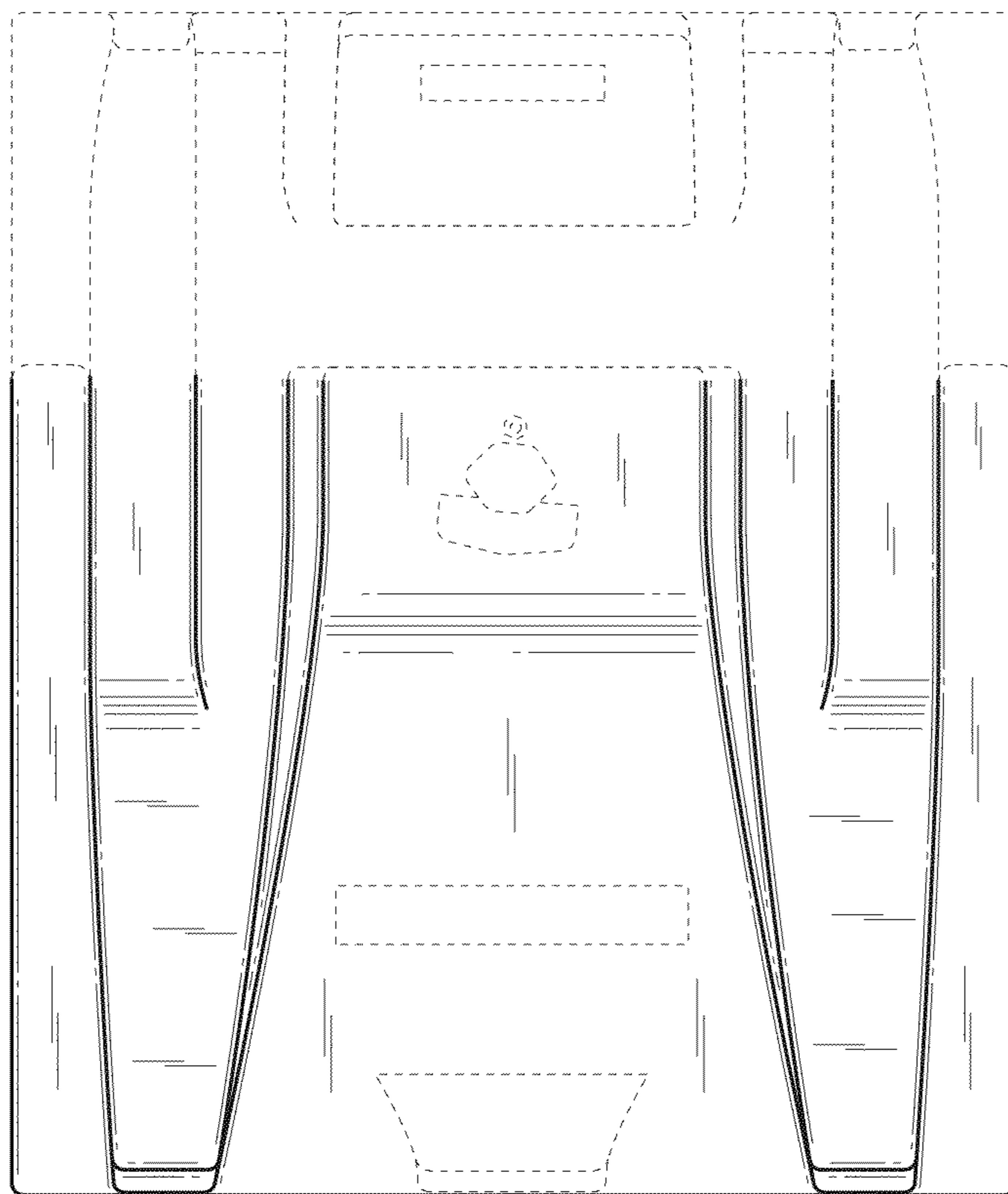
5,520,335 A 5/1996 Claussen et al.  
5,526,605 A 6/1996 O'Dougherty  
D372,298 S 7/1996 Claussen et al.

6,047,901 A 4/2000 Pederson et al.  
6,334,578 B1 1/2002 House  
6,705,546 B2 3/2004 Bosch  
D669,966 S 10/2012 Claussen  
2013/0001320 A1 1/2013 Claussen

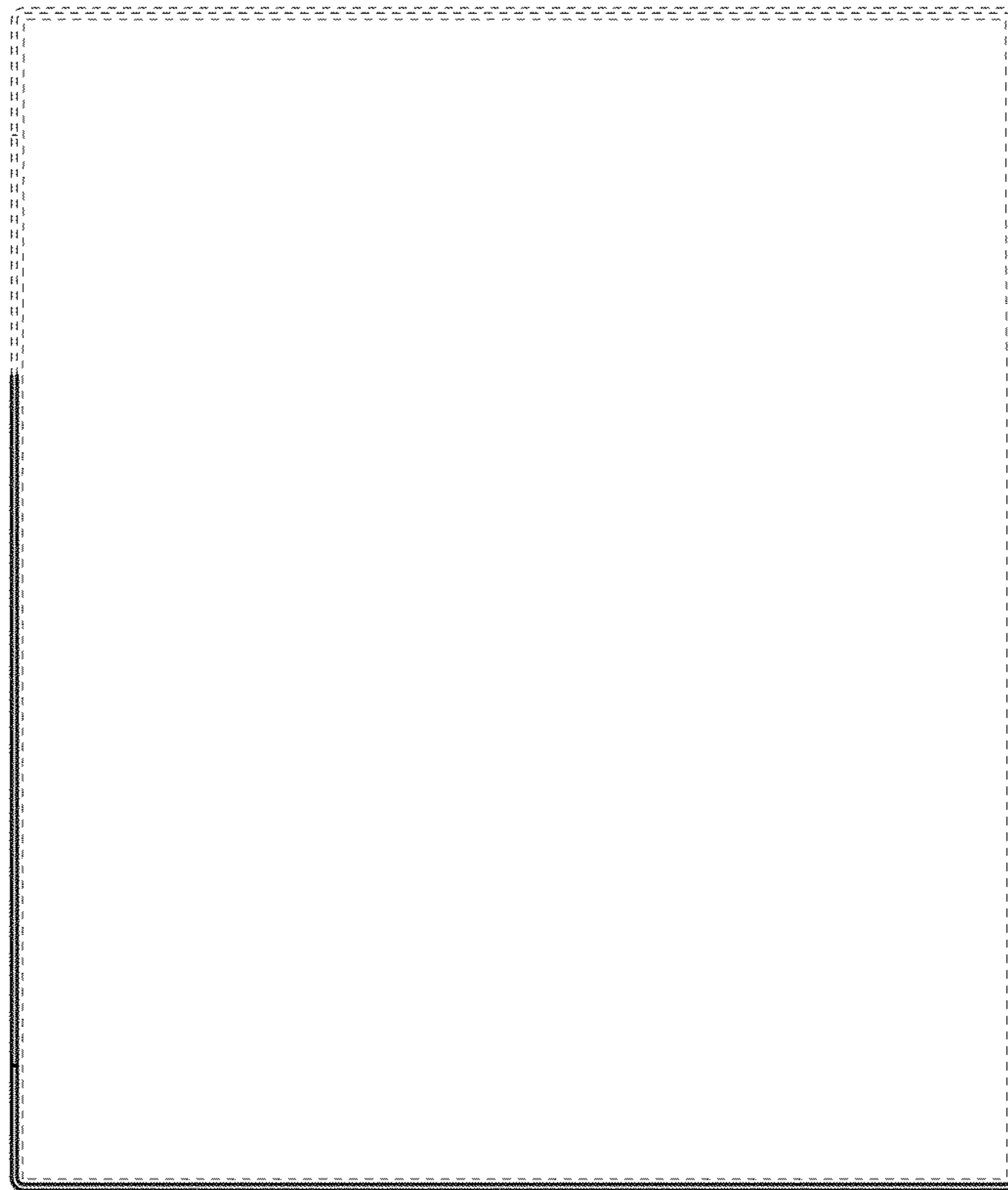
\* cited by examiner



**Fig. 1**

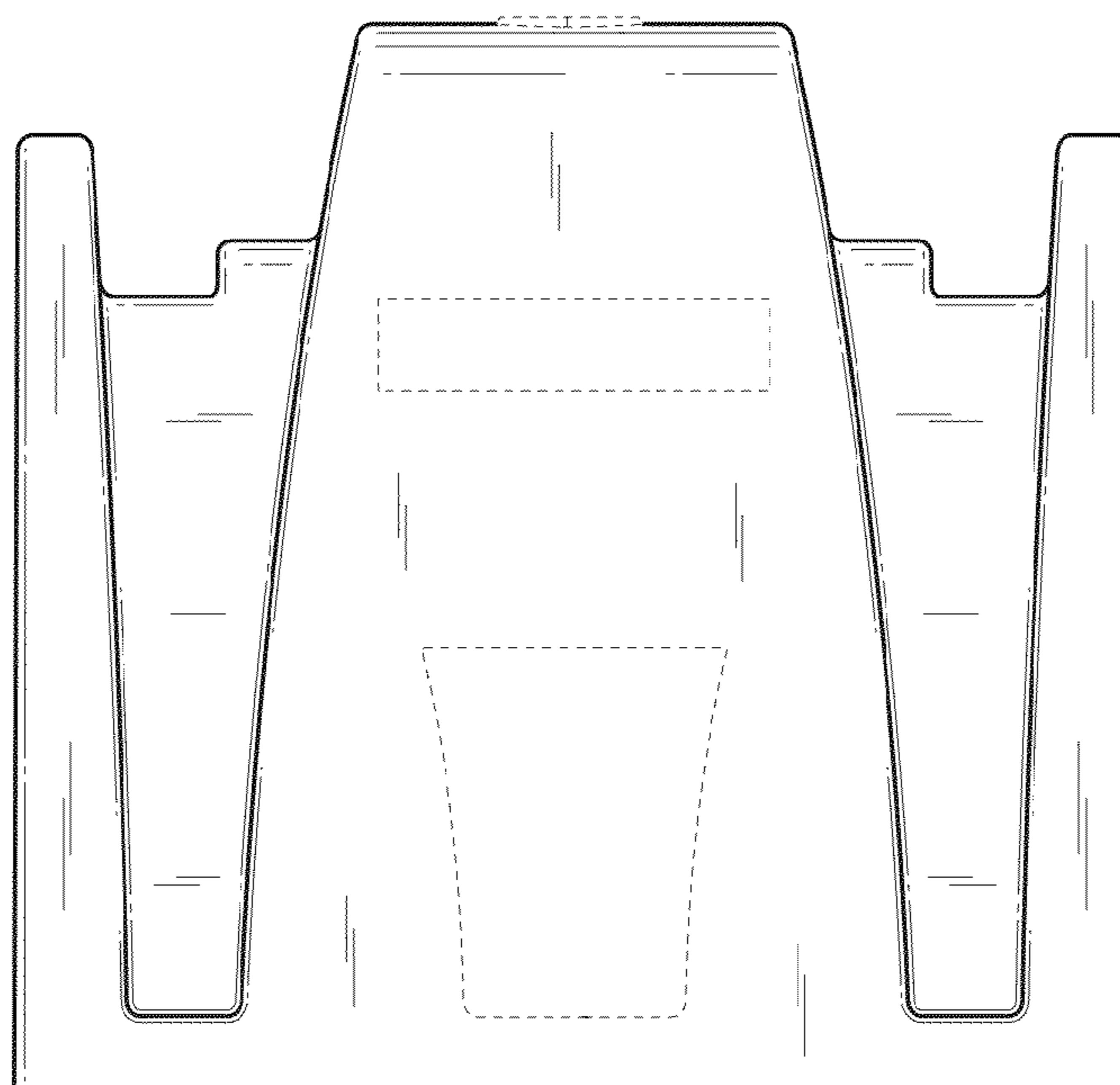


**Fig. 2**

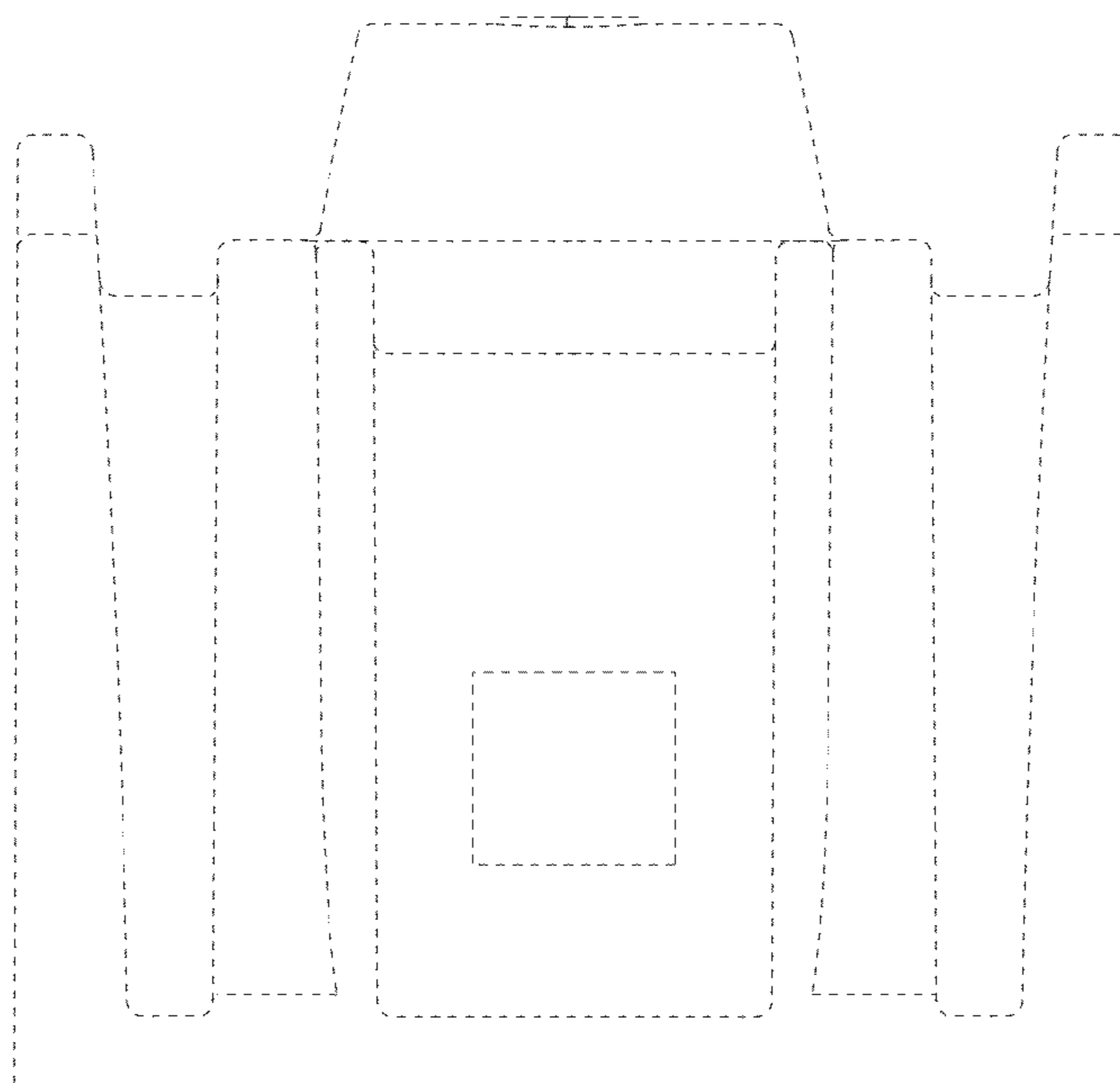


**Fig. 3**





**Fig. 4**



**Fig. 5**

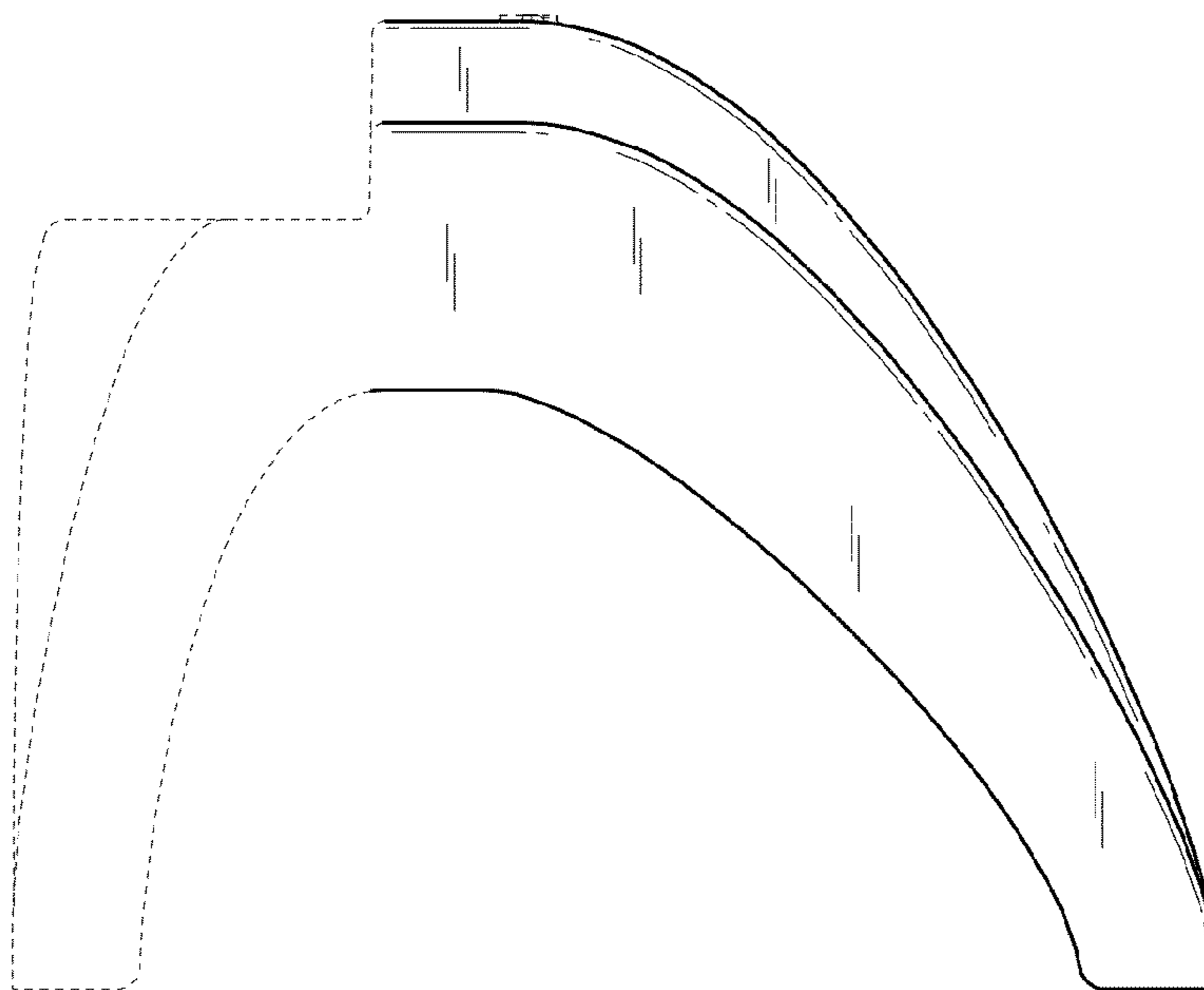


Fig. 6

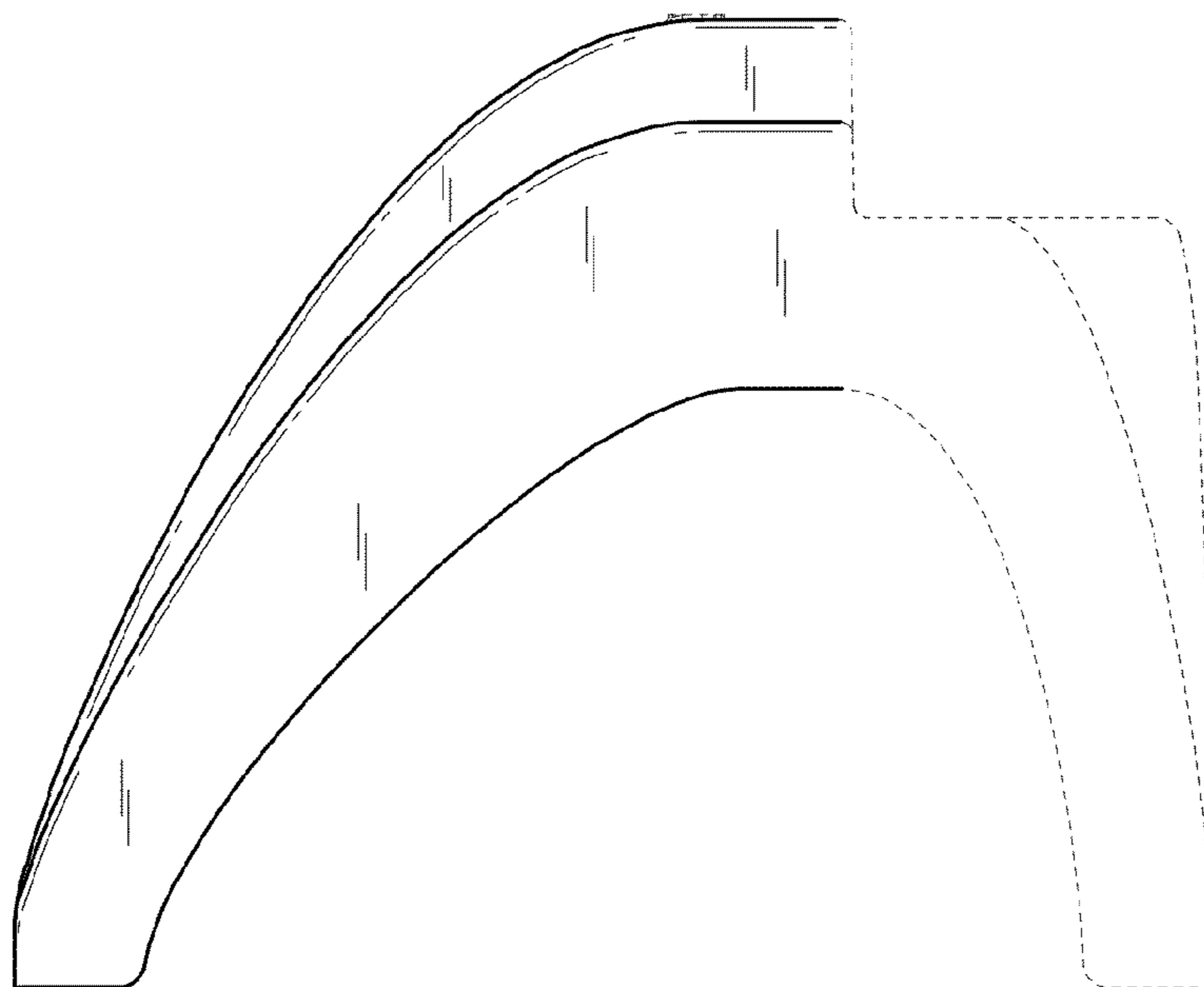


Fig. 7