

US00D737403S

(12) **United States Design Patent**
Blum

(10) **Patent No.:** **US D737,403 S**

(45) **Date of Patent:** **** Aug. 25, 2015**

(54) **FLOW REGULATOR**

(71) Applicant: **Neoperl GmbH**, Mullheim (DE)

(72) Inventor: **Gerhard Blum**, Gutach (DE)

(73) Assignee: **Neoperl GmbH**, Müllheim (DE)

(**) Term: **14 Years**

(21) Appl. No.: **29/460,497**

(22) Filed: **Jul. 11, 2013**

Related U.S. Application Data

(62) Division of application No. 29/388,860, filed on Apr. 4, 2011, now Pat. No. Des. 690,796.

Foreign Application Priority Data

Dec. 22, 2010 (EP) 001251946-01-163

(51) **LOC (10) Cl.** **23-01**

(52) **U.S. Cl.**
USPC **D23/213**

(58) **Field of Classification Search**
USPC D23/213, 249; 239/428.5, 437;
261/DIG. 22

See application file for complete search history.

(56) **References Cited**

U.S. PATENT DOCUMENTS

D536,417 S	2/2007	Buttgen	
D537,916 S	3/2007	Buttgen	
D577,416 S	9/2008	Buttgen	
D652,896 S *	1/2012	Grether D23/249
D690,796 S *	10/2013	Blum D23/213

* cited by examiner

Primary Examiner — Robin V Webster

(74) *Attorney, Agent, or Firm* — Volpe and Koenig, P.C.

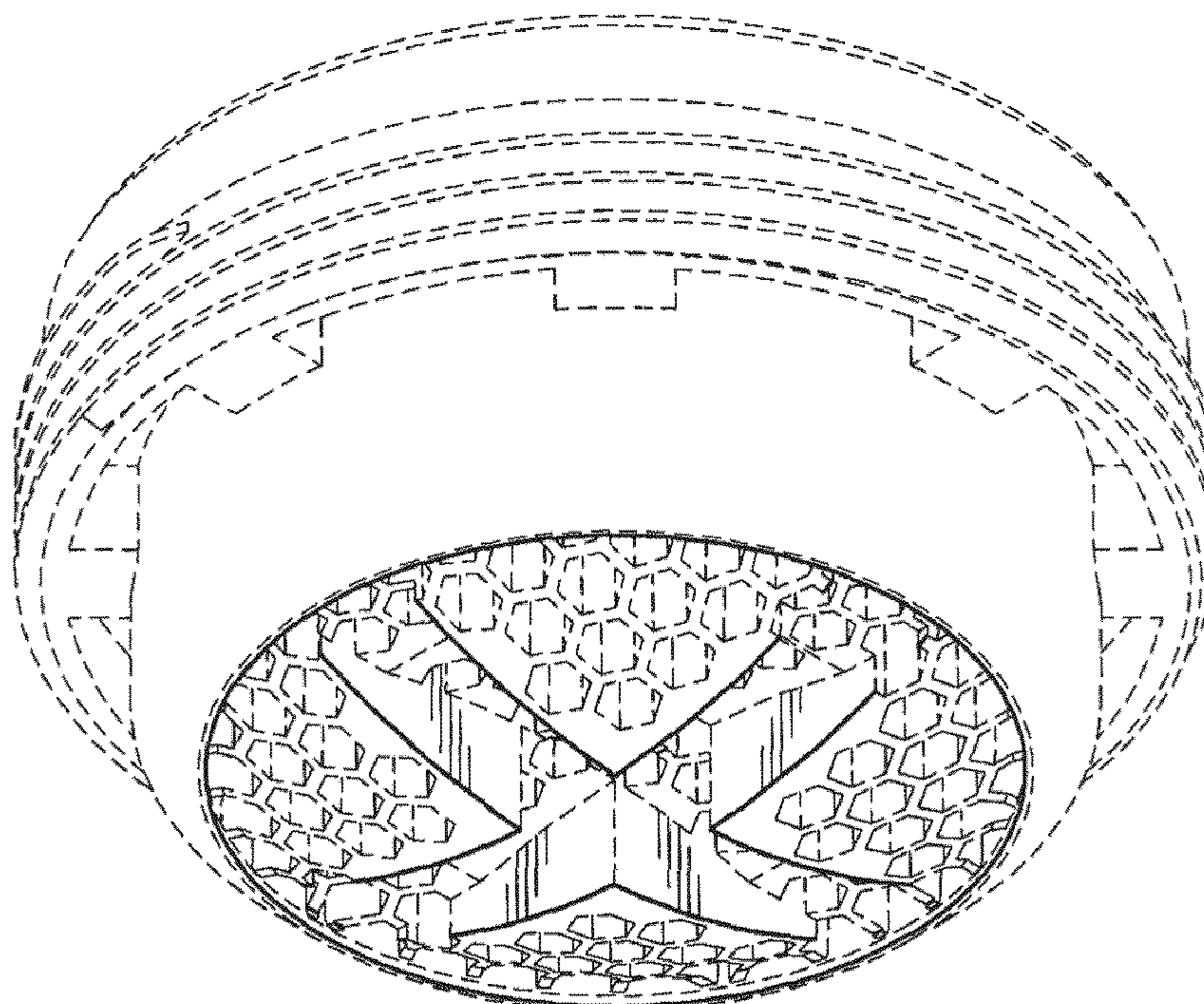
(57) **CLAIM**

The design for a flow regulator, as shown and described.

DESCRIPTION

FIG. 1 is a top plan view of a flow regulator in accordance with my design;
FIG. 2 is a top, front, right perspective view thereof;
FIG. 3 is a bottom view thereof;
FIG. 4 is a bottom, front, right perspective view thereof;
FIG. 5 is a right side elevational view thereof, with the left side elevational view being a mirror image thereof; and,
FIG. 6 is a cross-sectional view taken along line 6-6 in FIG. 3.
The broken lines shown form no part of the claimed design.

1 Claim, 3 Drawing Sheets



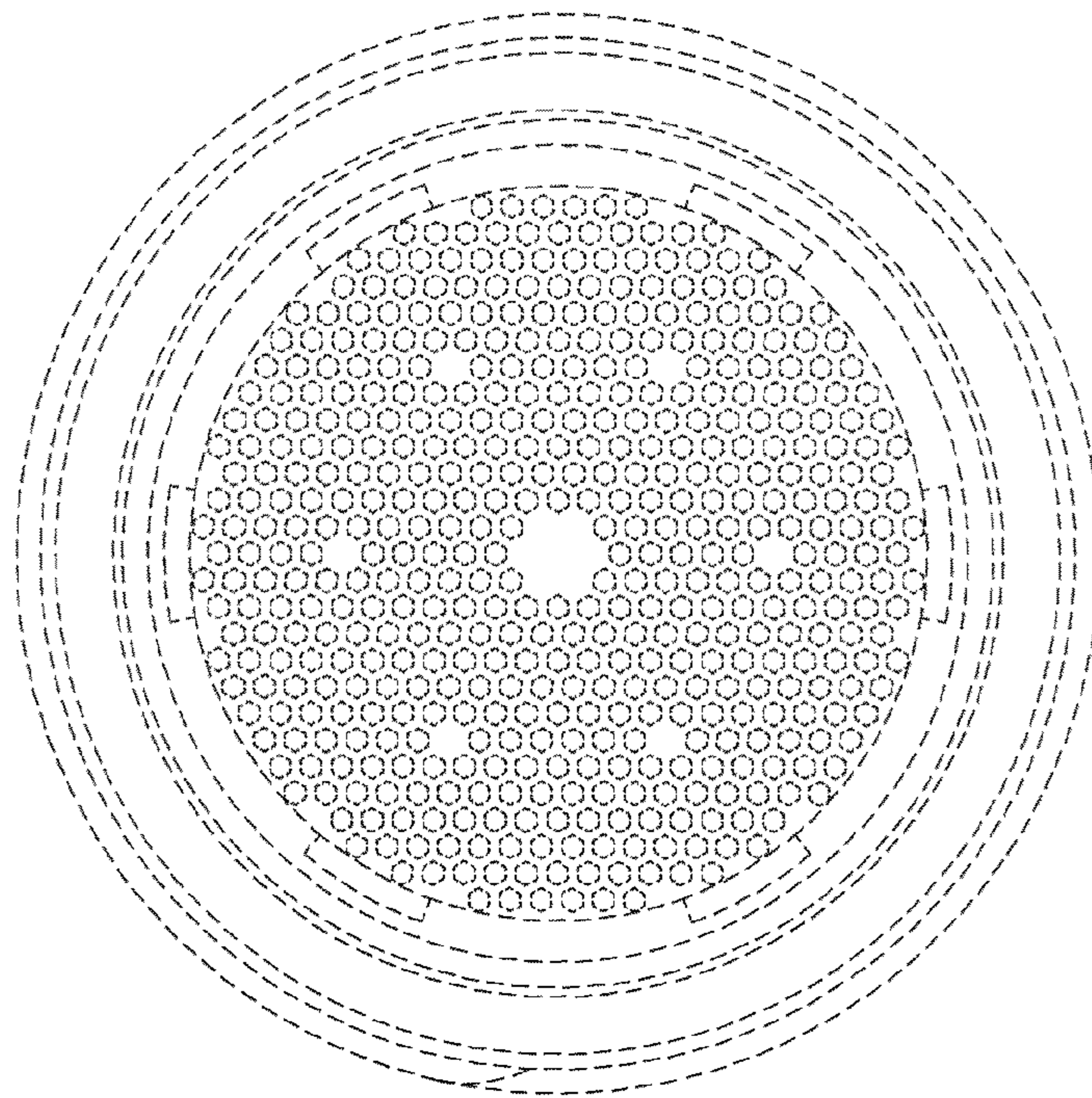


Fig. 1

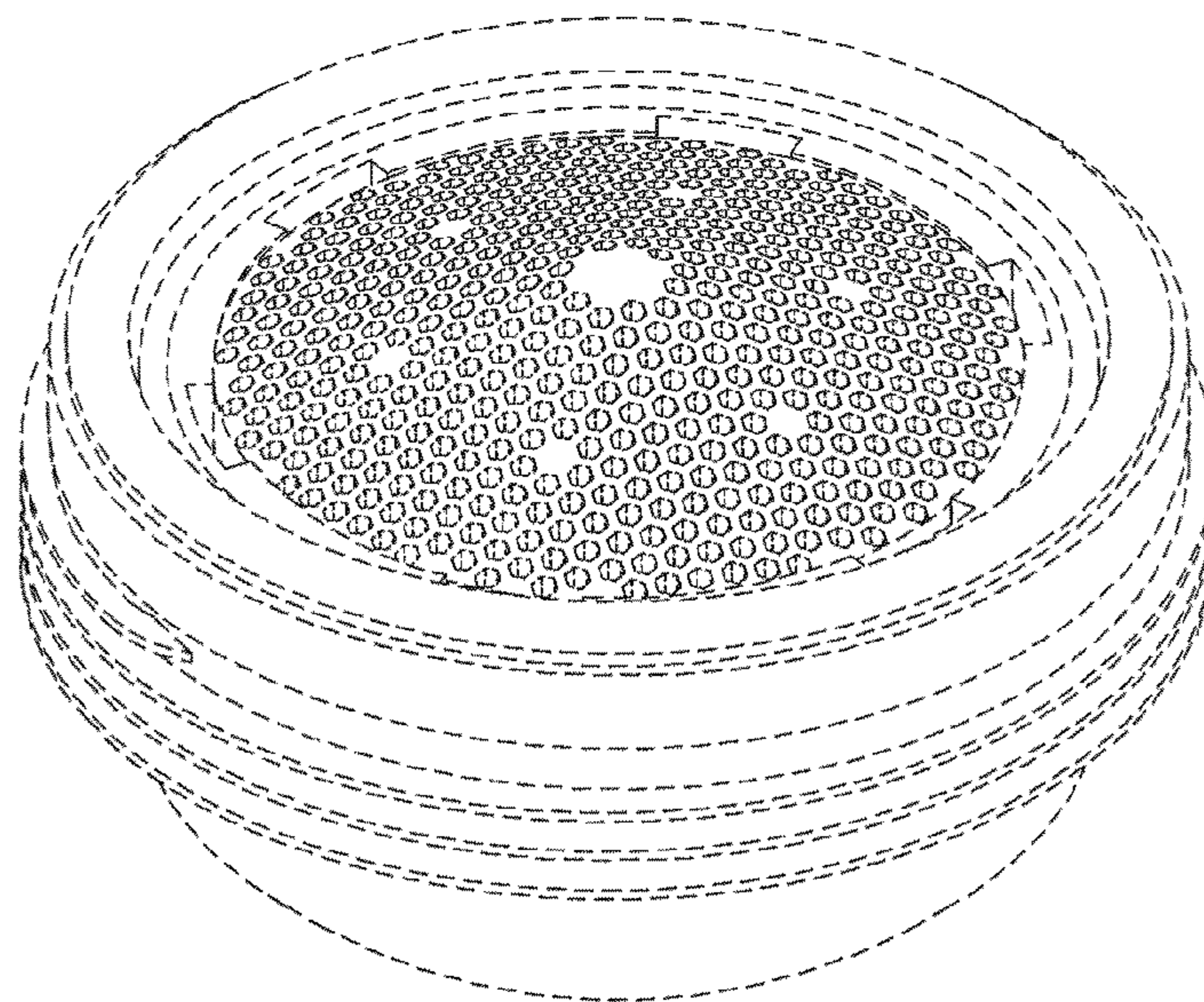


Fig. 2

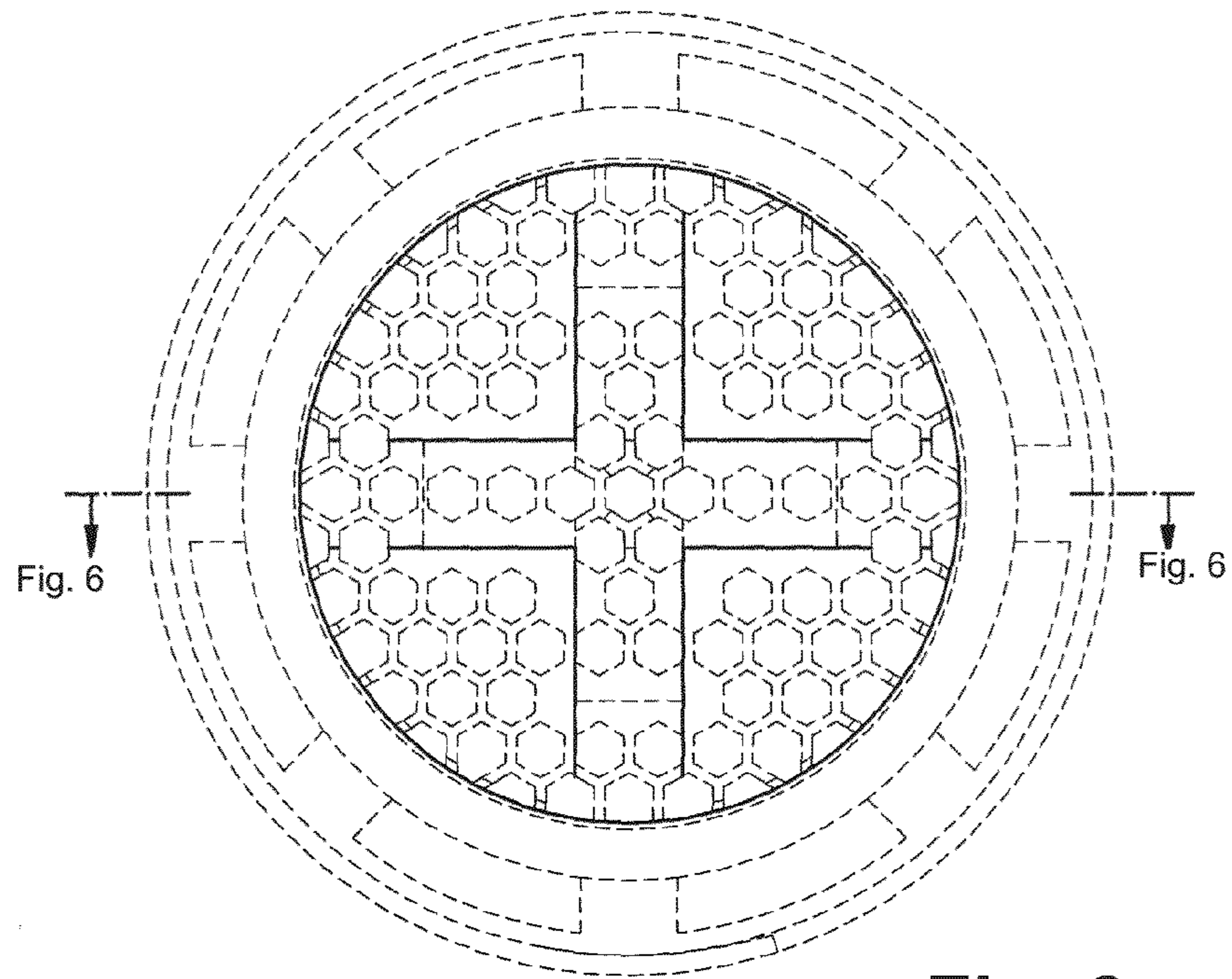


Fig. 3

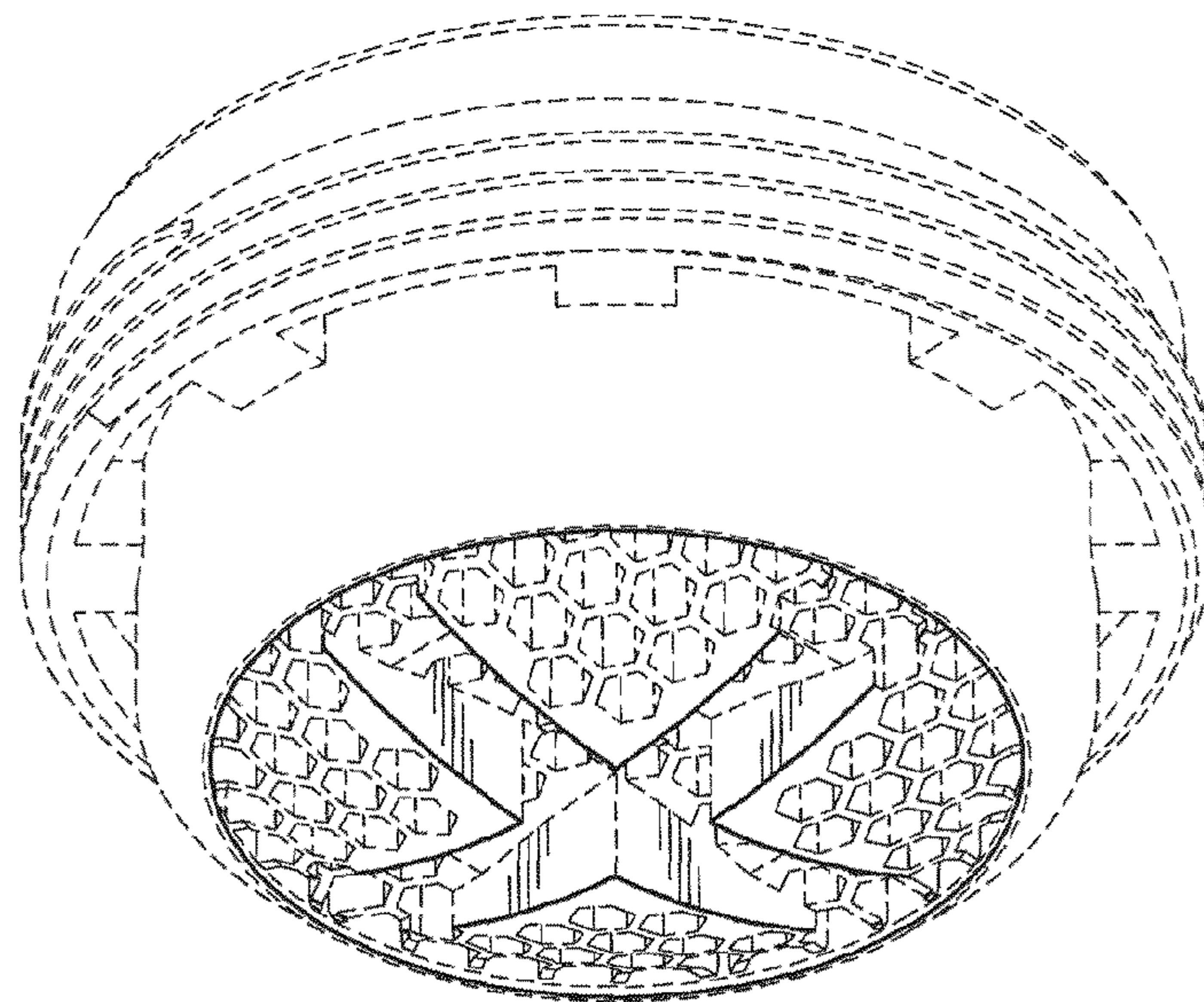


Fig. 4

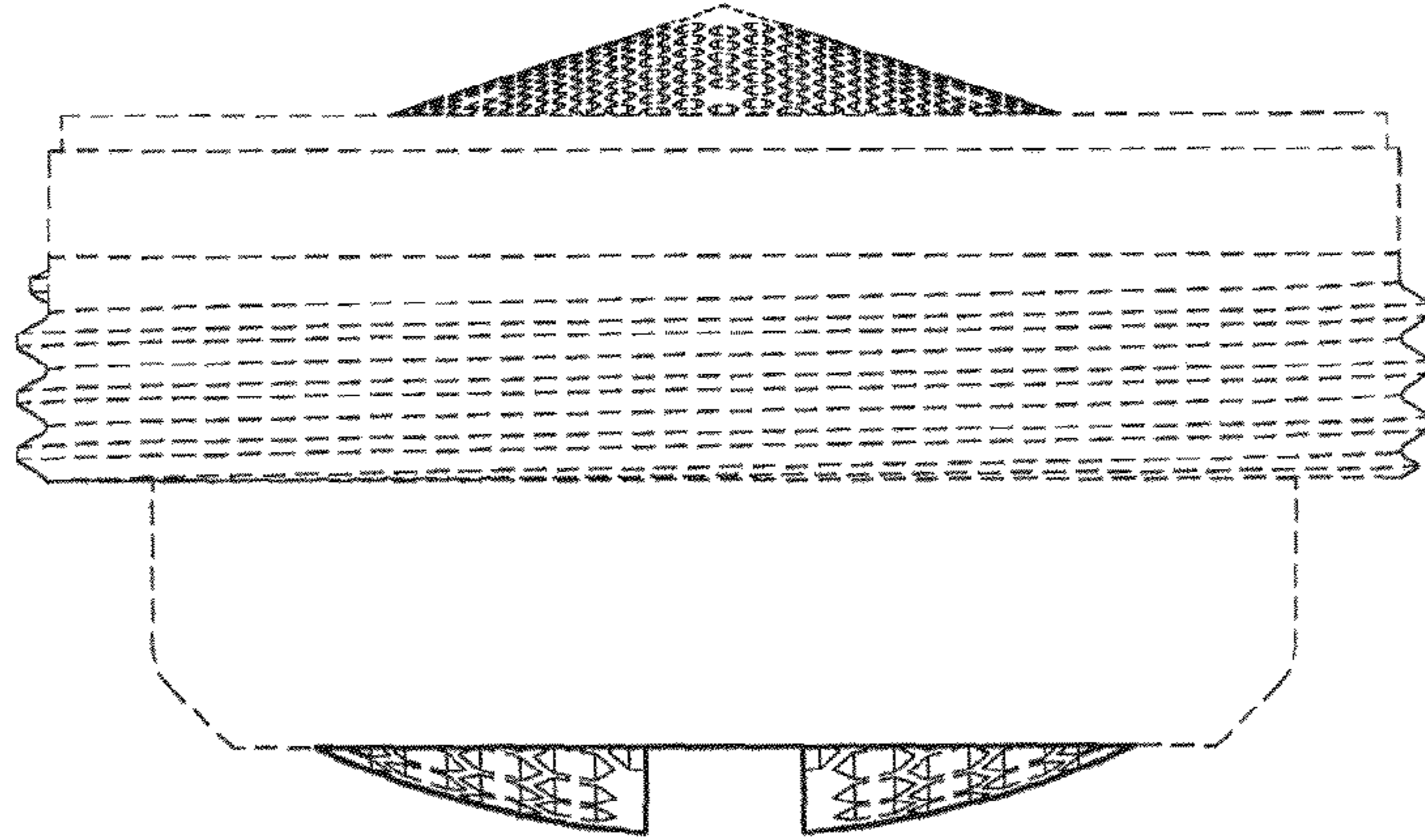


Fig. 5

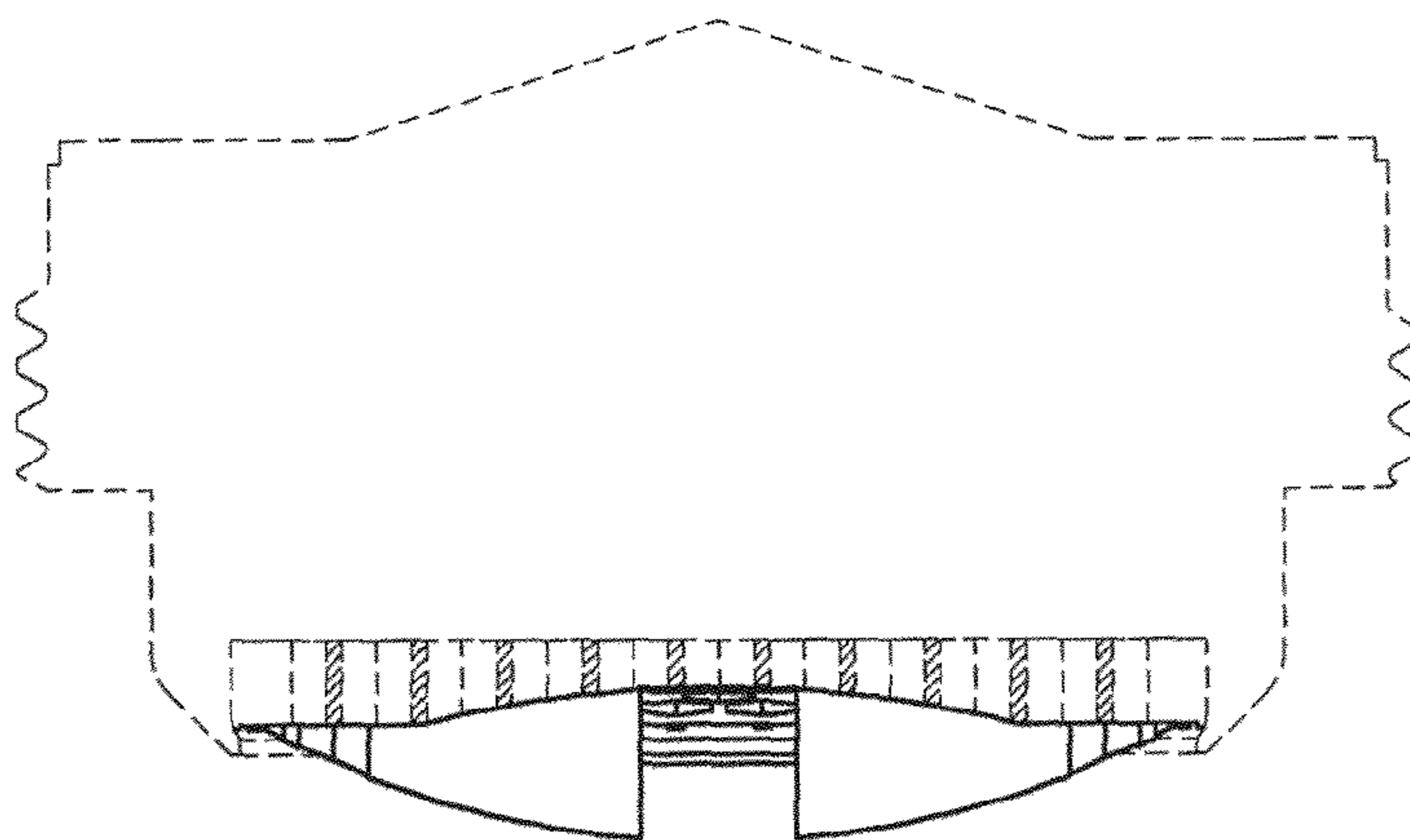


Fig. 6