



US00D737401S

(12) **United States Design Patent**
Dethier

(10) **Patent No.:** **US D737,401 S**

(45) **Date of Patent:** **** Aug. 25, 2015**

(54) **REEL**

(76) **Inventor:** **Georges Livin Fernand Dethier**, Alken
(BE)

(**) **Term:** **14 Years**

(21) **Appl. No.:** **29/431,384**

(22) **Filed:** **Sep. 6, 2012**

(30) **Foreign Application Priority Data**

Mar. 7, 2012 (EP) 002004648

(51) **LOC (10) Cl.** **22-05**

(52) **U.S. Cl.**
USPC **D22/137**

(58) **Field of Classification Search**
USPC D8/349, 359, 358, 356; 242/388.9, 370,
242/400, 400.1, 406, 397.5, 397; 239/198,
239/197; 137/355.26, 355.27, 355.28,
137/355.2, 355.19; 206/389
CPC B65H 2701/33; B65H 75/40
See application file for complete search history.

(56) **References Cited**

U.S. PATENT DOCUMENTS

2,489,319 A * 11/1949 Nave, Jr. et al. 242/608.4
3,042,337 A * 7/1962 Dinneen 242/405.1
3,290,453 A * 12/1966 Jensen 191/12.4
D238,749 S * 2/1976 Back D8/359
D285,901 S * 9/1986 Gustavsson D8/358

D288,496 S * 2/1987 Brownlie D34/17
4,723,568 A * 2/1988 Adams 137/355.17
6,779,749 B2 * 8/2004 Laporta 242/395
D496,255 S * 9/2004 Kovacik et al. D8/359
D562,671 S * 2/2008 Dethier D8/359
D567,470 S * 4/2008 Dethier D34/24
D586,203 S * 2/2009 Zhang D8/359
7,628,350 B2 * 12/2009 Dethier 242/403
2013/0001376 A1 * 1/2013 Asta 248/89

FOREIGN PATENT DOCUMENTS

EP 000767131 B1 * 1/1999 B65H 2701/33

* cited by examiner

Primary Examiner — Sheryl Lane

Assistant Examiner — Ieisha Price

(74) *Attorney, Agent, or Firm* — Sughrue Mion, PLLC

(57) **CLAIM**

The ornamental design for a reel, as shown and described.

DESCRIPTION

FIG. 1 is a bottom plan view a reel showing my new design;
FIG. 2 is a top plan view thereof;
FIG. 3 is a rear elevational view thereof;
FIG. 4 is a front elevational view thereof;
FIG. 5 is a left side elevational view thereof;
FIG. 6 is a right side elevational view thereof; and,
FIG. 7 is a perspective view of the front and left side thereof.
The broken lines in FIG. 7 represent environment and form no
part of the claimed design.

1 Claim, 7 Drawing Sheets

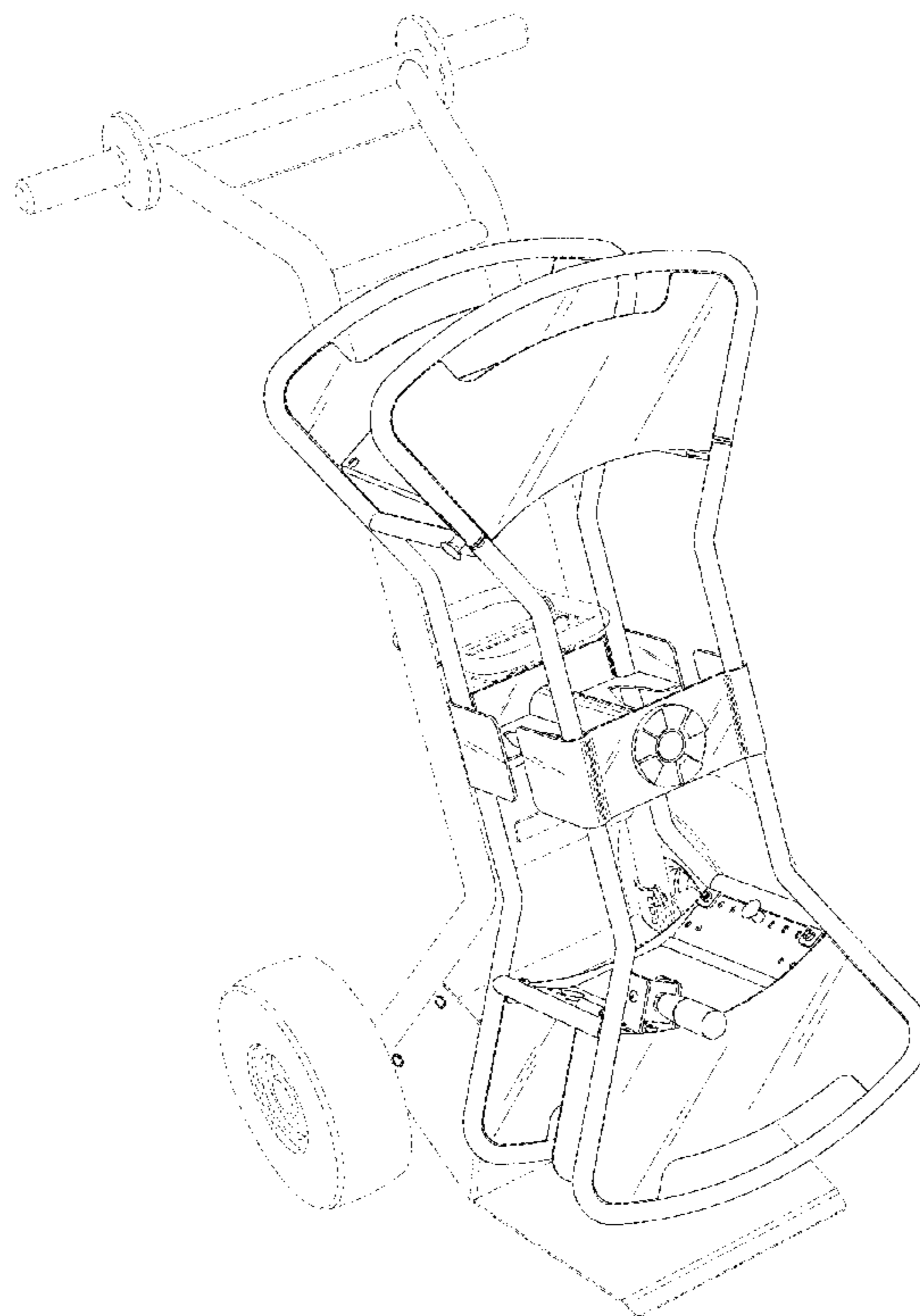


Fig. 1

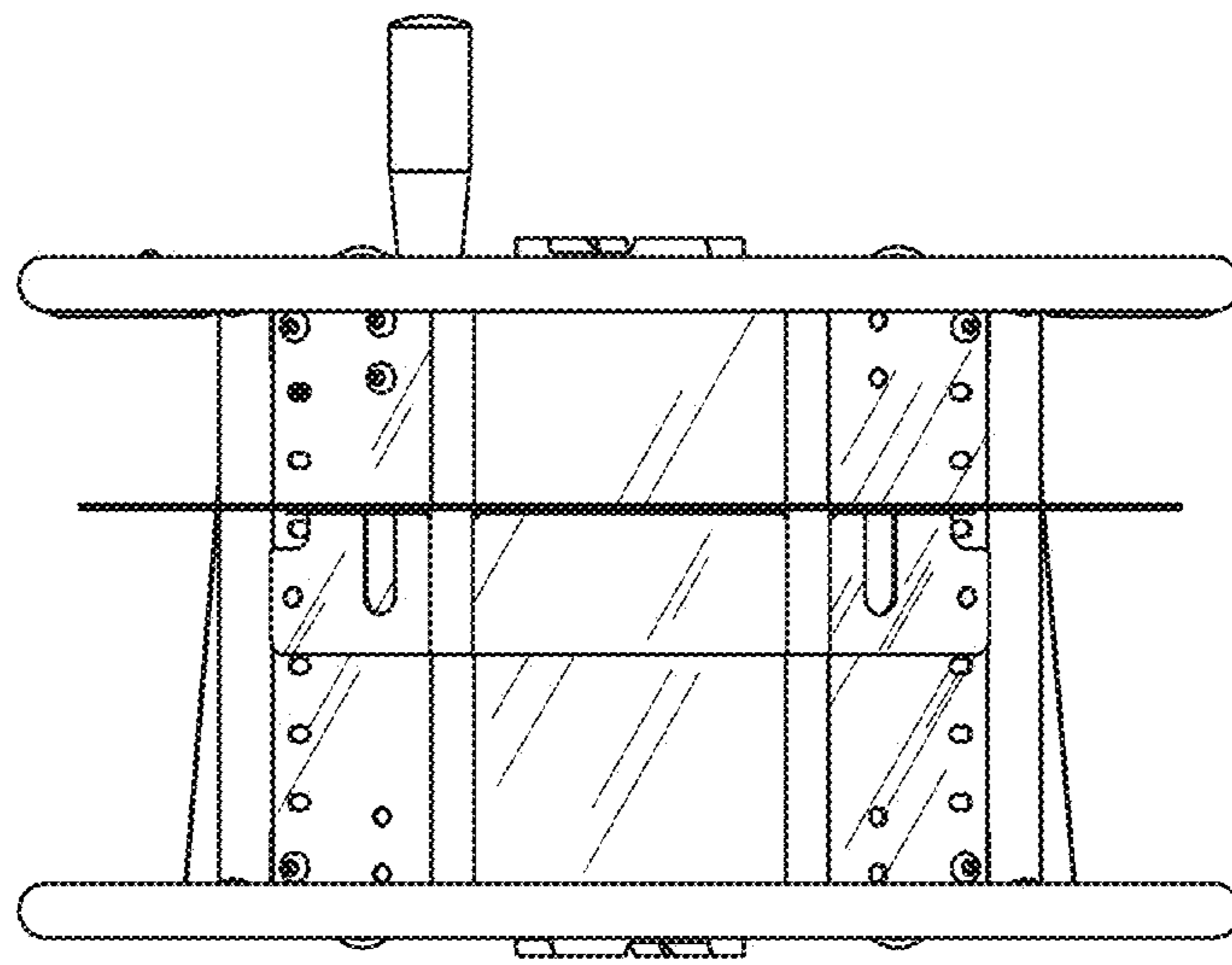


Fig. 2

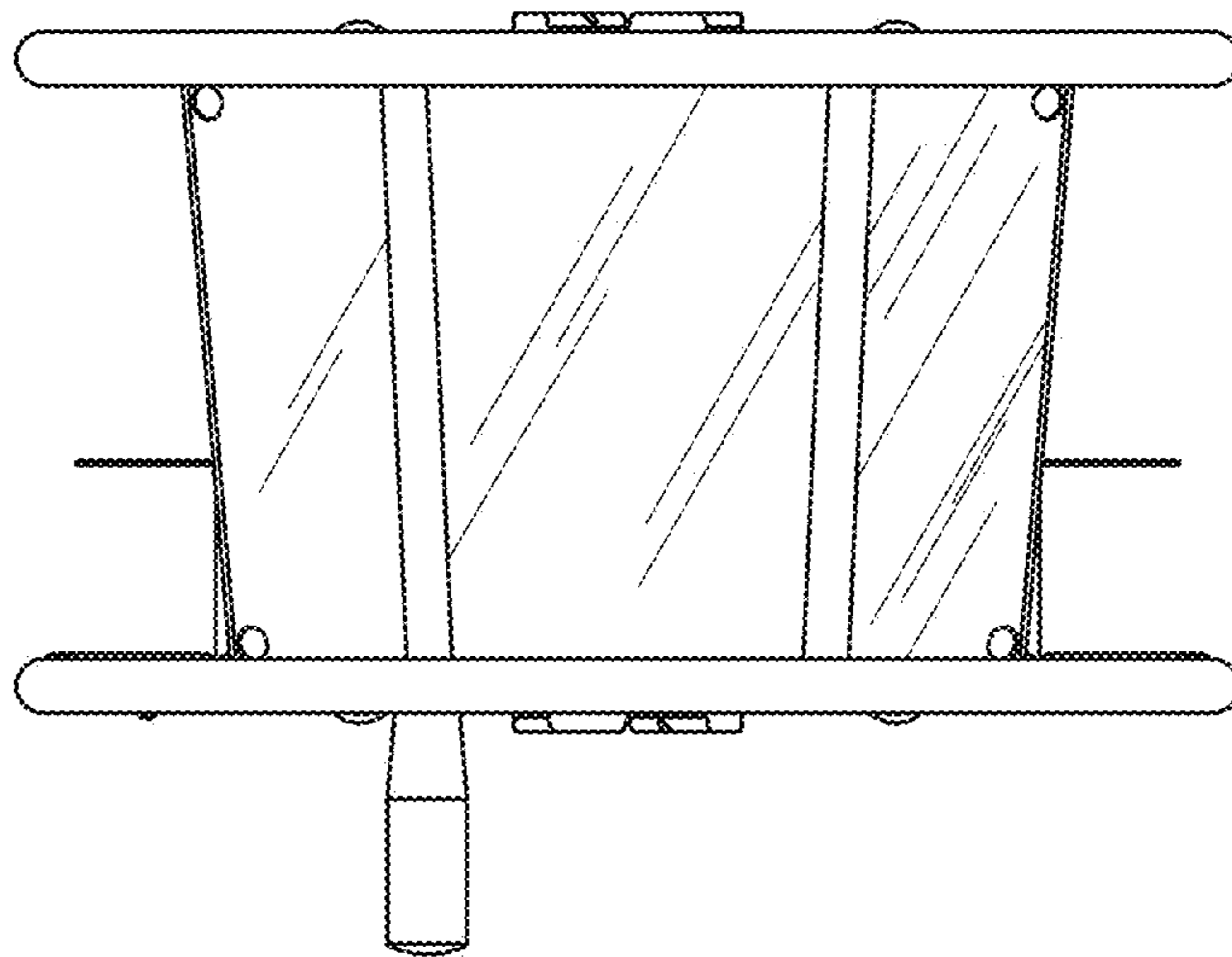


Fig. 3

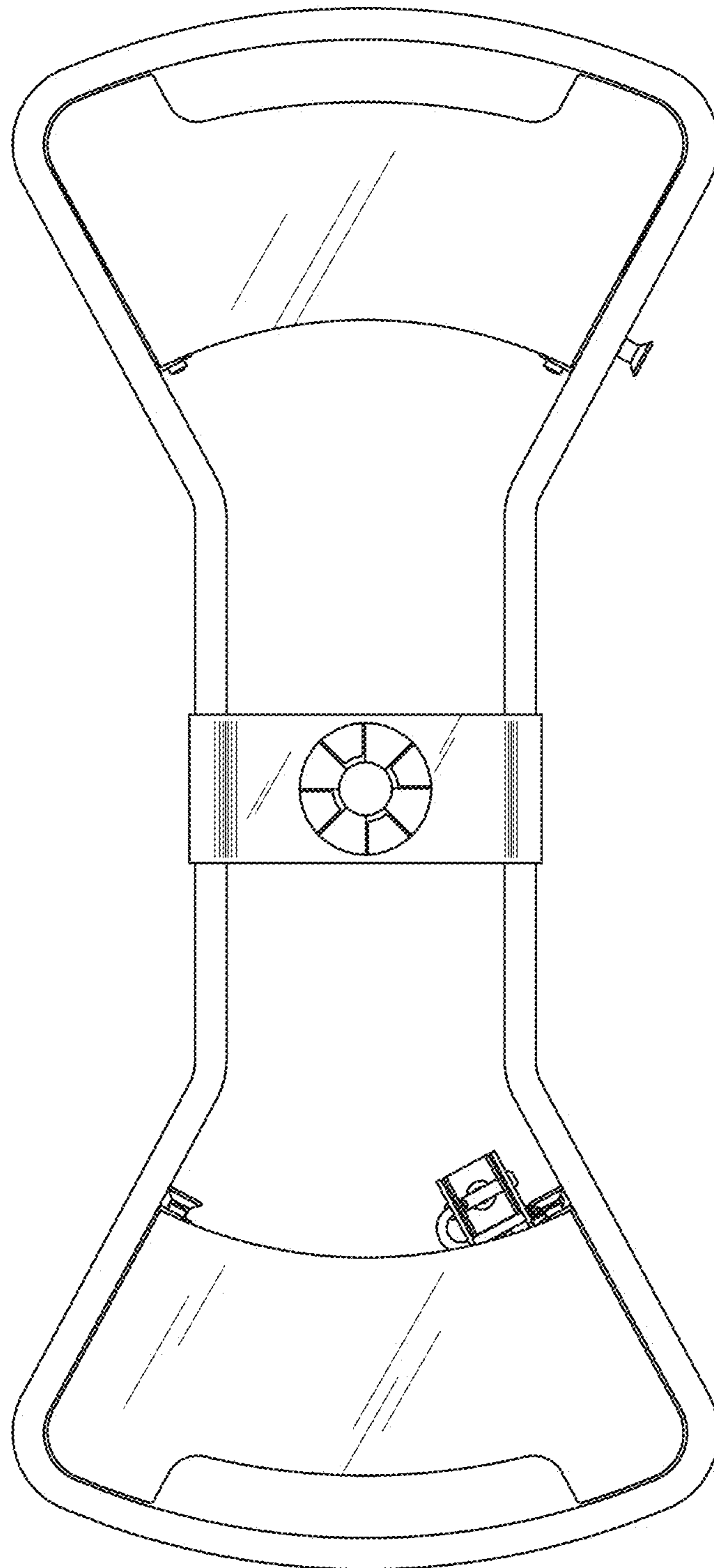


Fig. 4

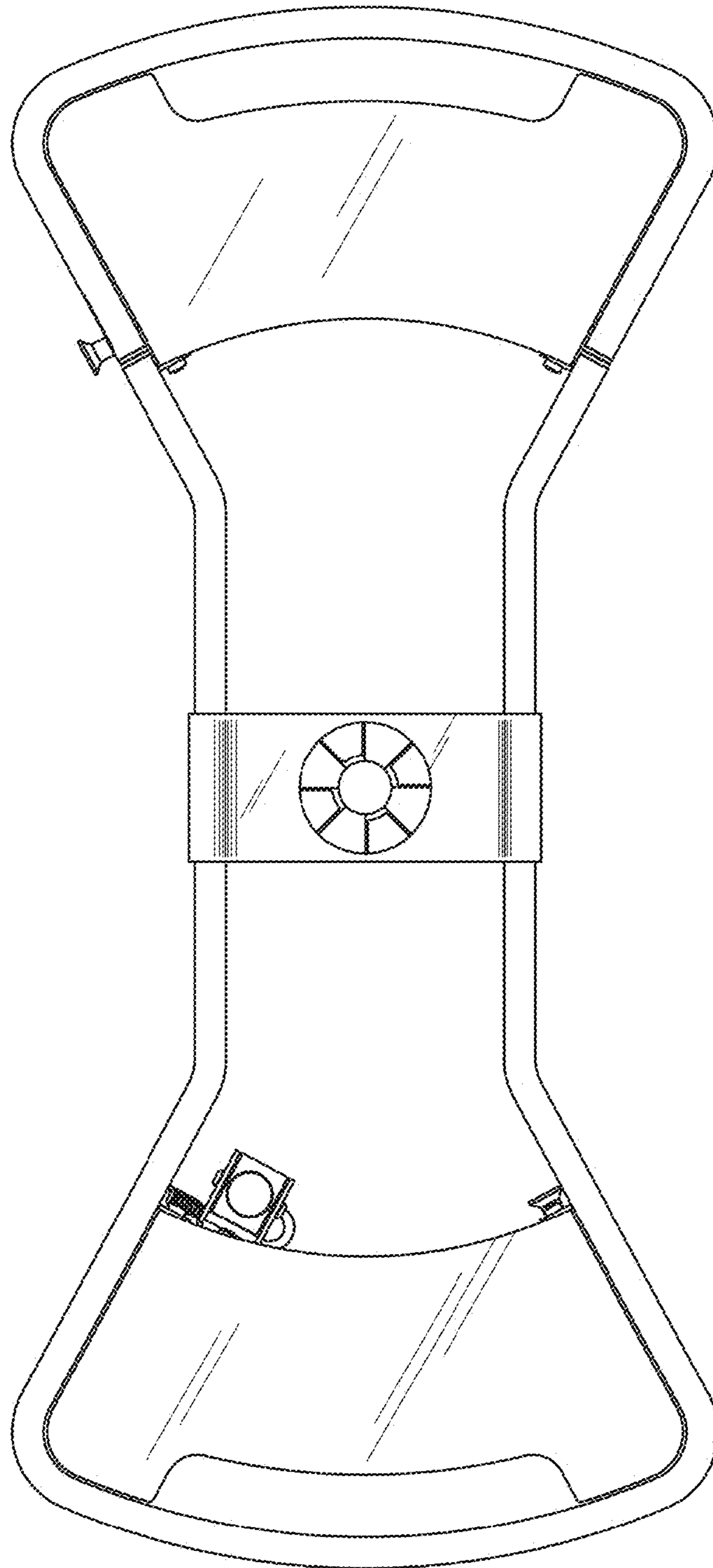


Fig. 5

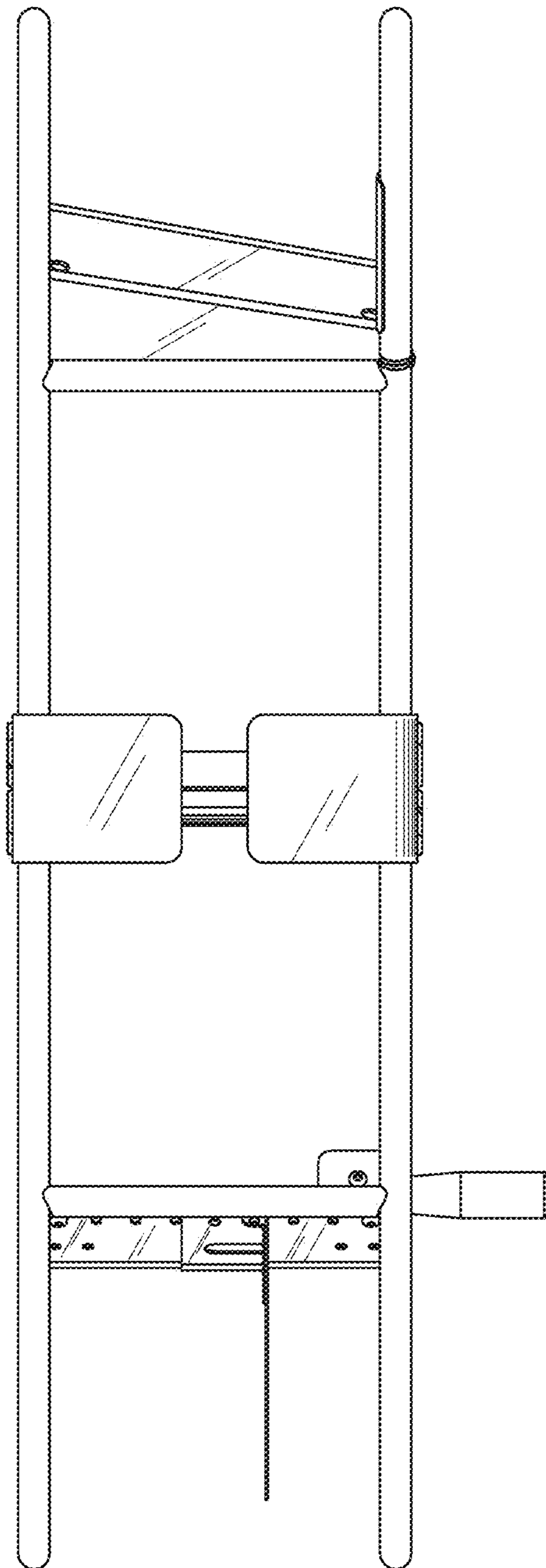


Fig. 6

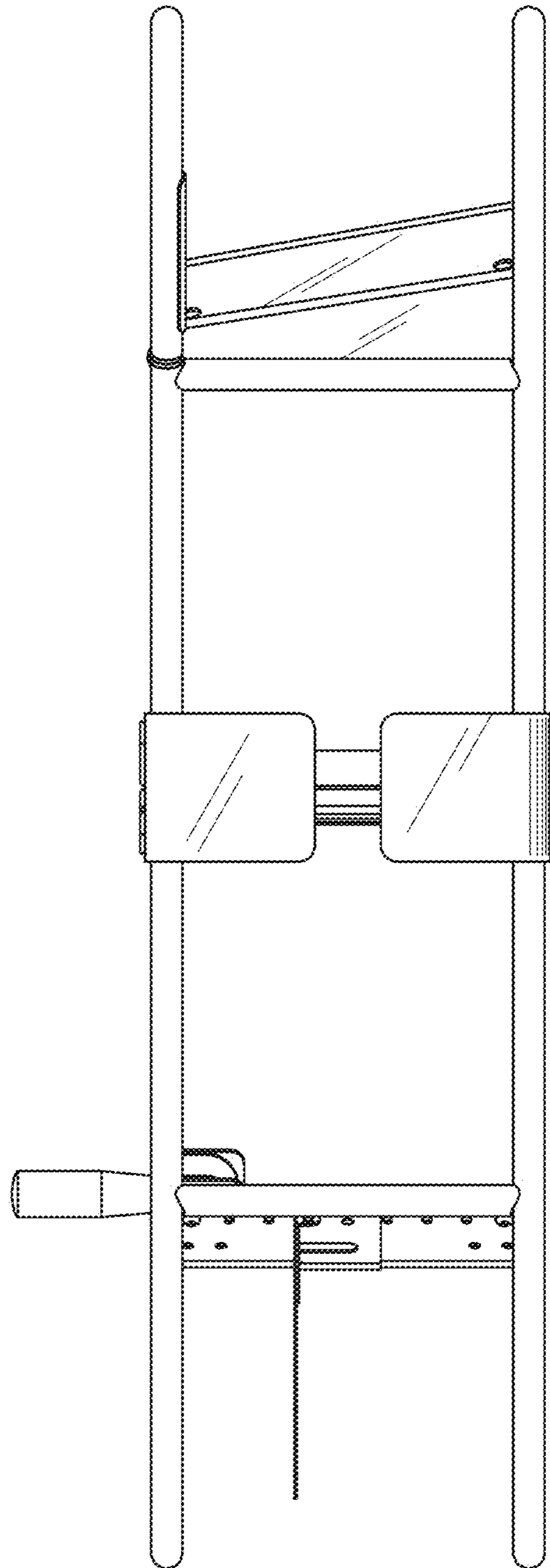


Fig. 7

