

US00D737399S

(12) **United States Design Patent**
Cheng et al.

(10) **Patent No.:** **US D737,399 S**

(45) **Date of Patent:** **** Aug. 25, 2015**

(54) **FIREARM MOUNT WITH SIGHTING
MODULE**

(56) **References Cited**

U.S. PATENT DOCUMENTS

(71) Applicants: **Carson Cheng**, City of Industry, CA
(US); **Changan Tian**, City of Industry,
CA (US)

7,356,962	B2 *	4/2008	Swan	42/147
D615,144	S *	5/2010	Mayberry et al.	D22/109
D635,634	S *	4/2011	Swan	D22/109
D637,259	S *	5/2011	Swan	D22/109
8,015,744	B1 *	9/2011	Swan	42/147
D647,158	S *	10/2011	Dueck	D22/109
8,191,302	B1 *	6/2012	Swan	42/114
D675,281	S *	1/2013	Speroni	D22/109
D705,890	S *	5/2014	Fitzpatrick et al.	D22/109
D725,222	S *	3/2015	Heidkamp	D22/109
D729,339	S *	5/2015	Chavez et al.	D22/109
2010/0218410	A1 *	9/2010	Cabahug et al.	42/71.01

(72) Inventors: **Carson Cheng**, City of Industry, CA
(US); **Changan Tian**, City of Industry,
CA (US)

(73) Assignee: **NcSTAR, Inc.**, City of Industry, CA
(US)

* cited by examiner

(**) Term: **14 Years**

Primary Examiner — Michael A Pratt

(21) Appl. No.: **29/485,116**

(74) *Attorney, Agent, or Firm* — Raymond Y. Chan; David
and Raymond Patent Firm

(22) Filed: **Mar. 16, 2014**

(51) **LOC (10) Cl.** **22-01**

(57) **CLAIM**

The ornamental design for a firearm mount with sighting
module, as shown and described.

(52) **U.S. Cl.**

DESCRIPTION

USPC **D22/109**

(58) **Field of Classification Search**

USPC D22/108–109; 89/111–113; 359/399,
359/823, 744; 42/104, 105, 111–113, 116,
42/120, 124–129, 133–148; 33/227, 229

CPC F41G 1/00; F41G 1/01; F41G 1/02;
F41G 1/06; F41G 1/065; F41G 1/08; F41G
1/10; F41G 1/12; F41G 1/14; F41G 1/30;
F41G 1/32; F41G 1/38; F41G 1/40; F41G
1/42; F41G 1/44; F41G 1/46; F41G 1/383;
F41G 1/387; F41G 1/393; F41G 3/00; F41G
3/005; F41G 3/02; F41G 3/04; F41G 3/06;
F41G 3/14; F41G 11/002; F41G 11/003;
F41G 11/004; F41G 11/005

FIG. 1 is a rear perspective view of a firearm mount with
sighting module showing my new design.

FIG. 2 is a front view of the firearm mount with sighting
module.

FIG. 3 is a rear view of the firearm mount with sighting
module.

FIG. 4 is a left view of the firearm mount with sighting
module.

FIG. 5 is a right view of the firearm mount with sighting
module.

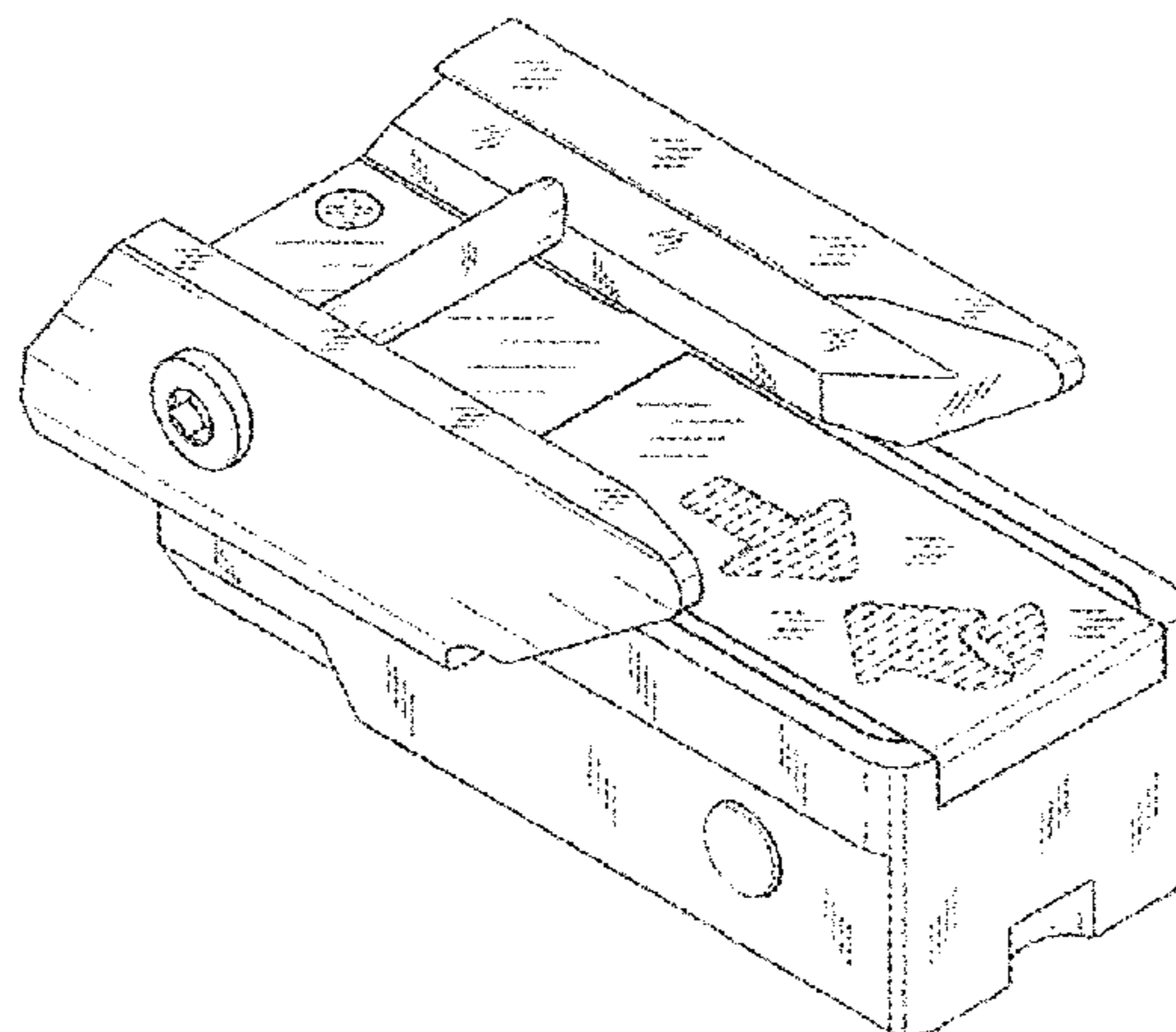
FIG. 6 is a top view of the firearm mount with sighting
module; and,

FIG. 7 is a bottom view of the firearm mount with sighting
module.

The broken line portion of the figure drawings is included to
show unclaimed subject matter only and forms no part of the
claimed design.

See application file for complete search history.

1 Claim, 4 Drawing Sheets



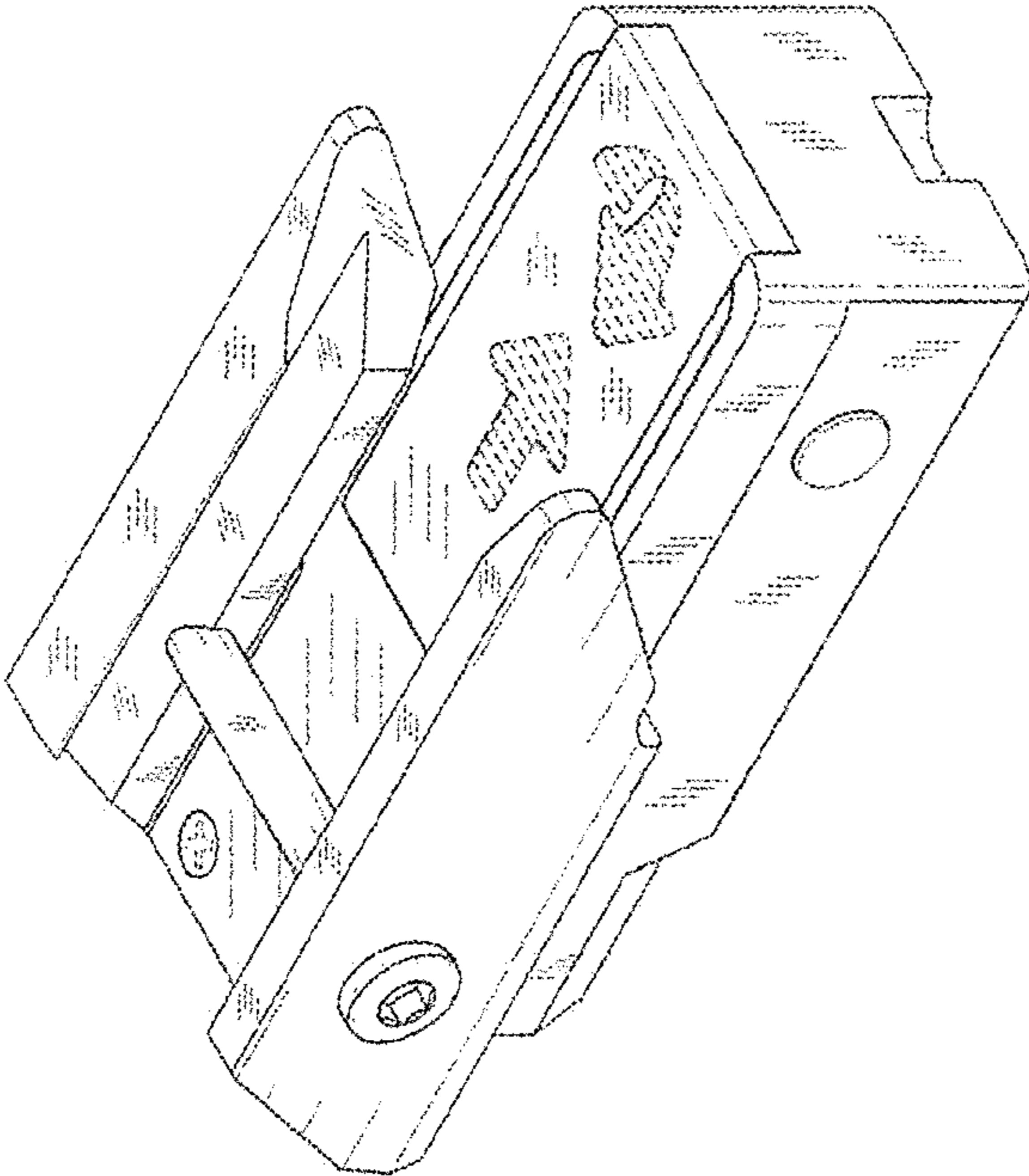


FIG.1

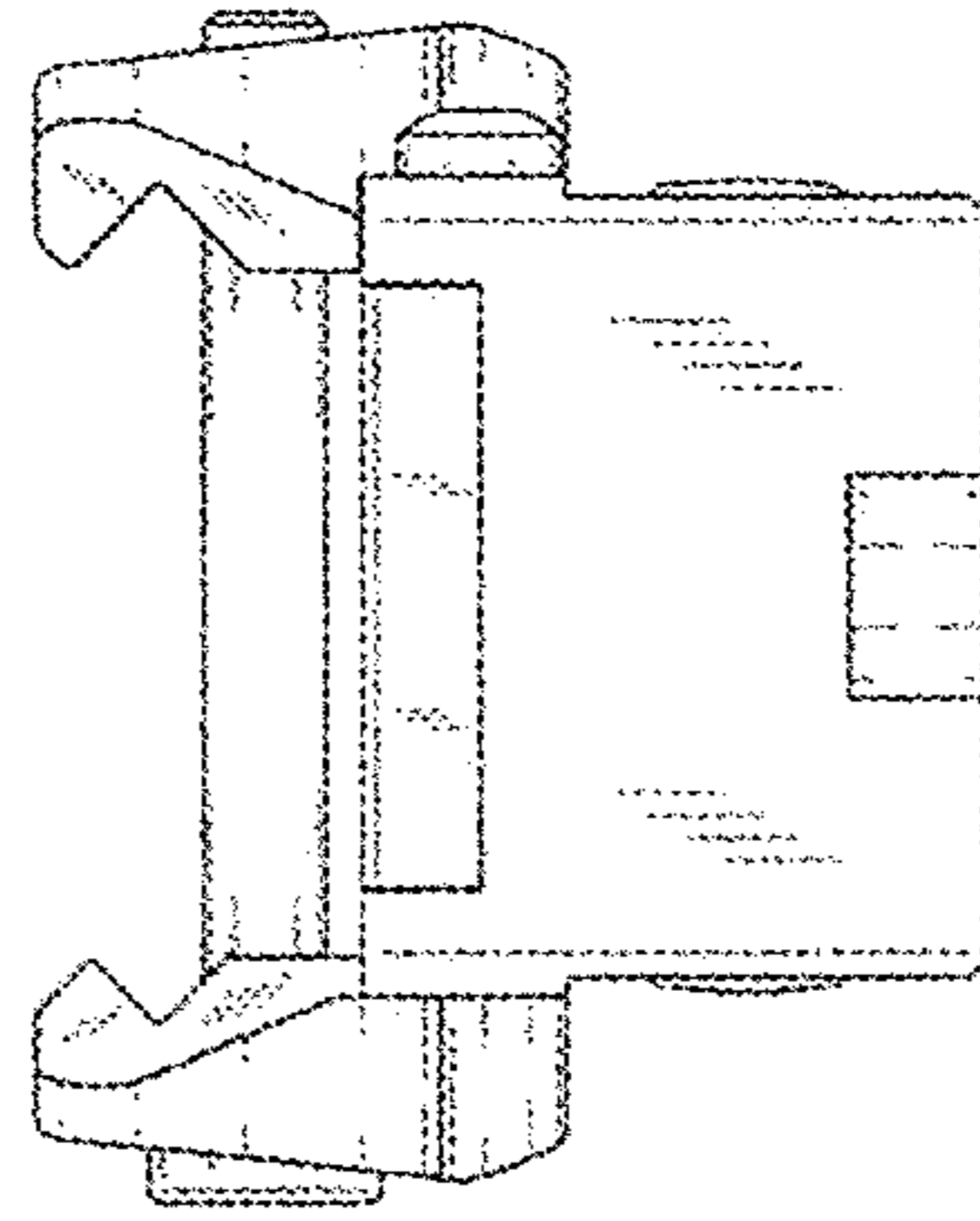


FIG.3

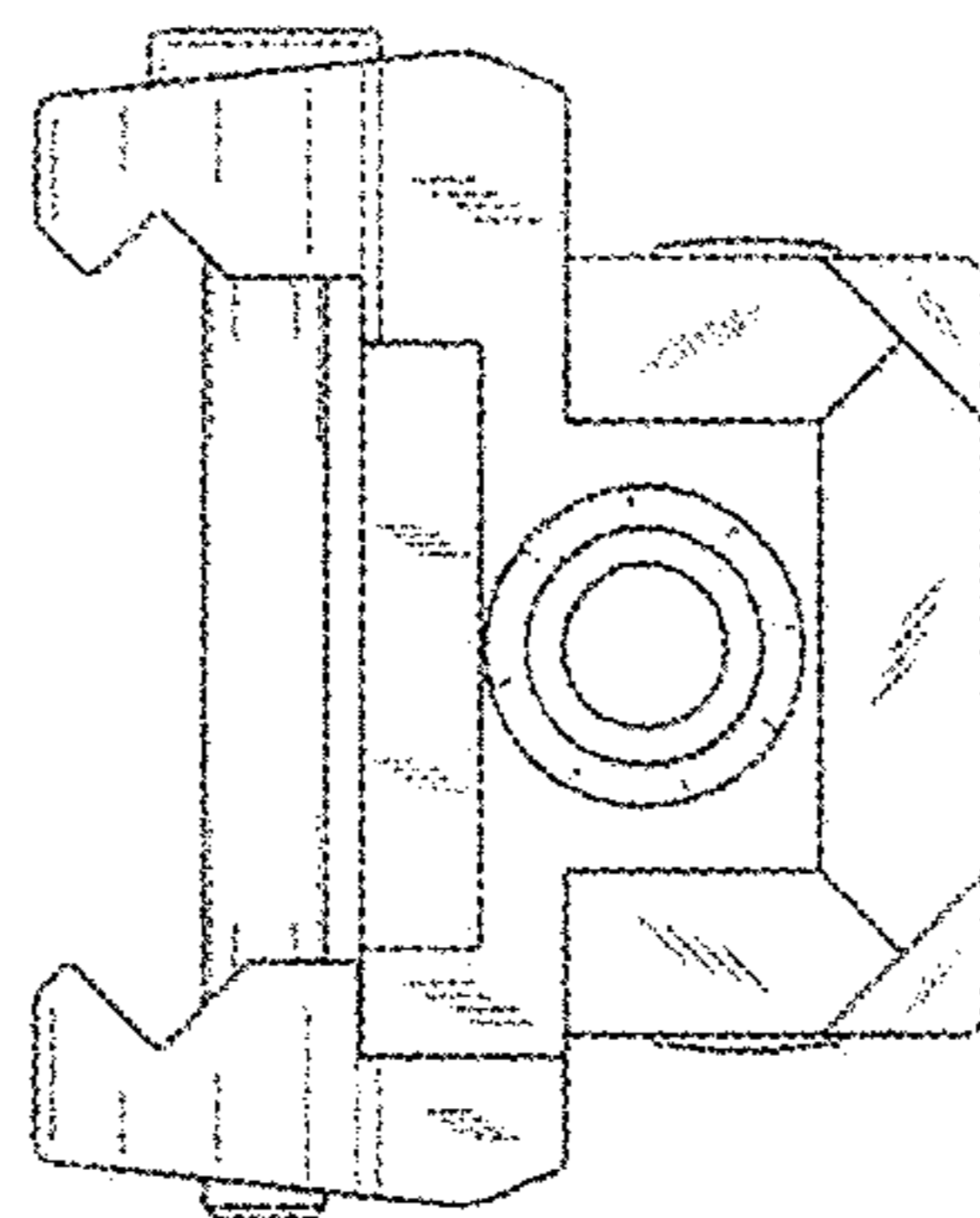


FIG.2

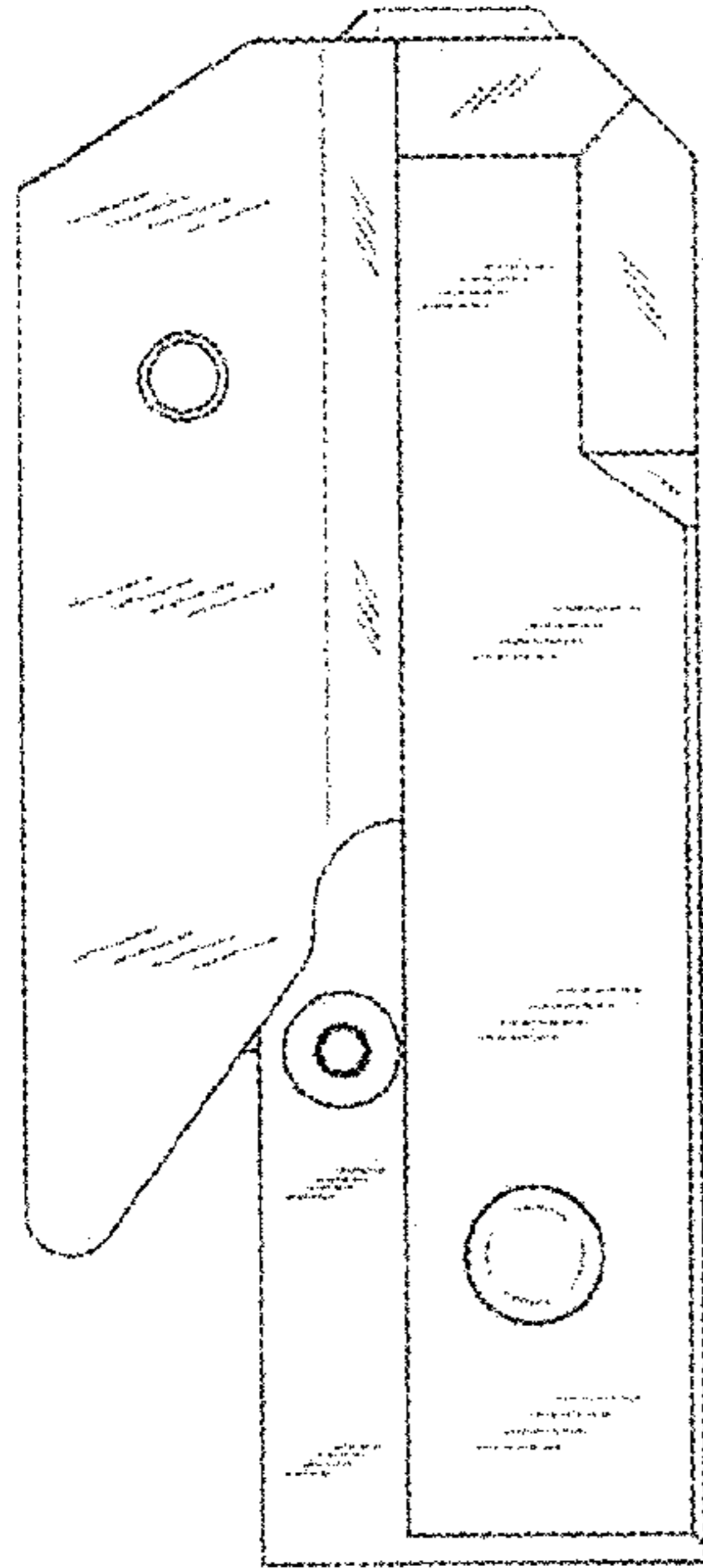


FIG. 4

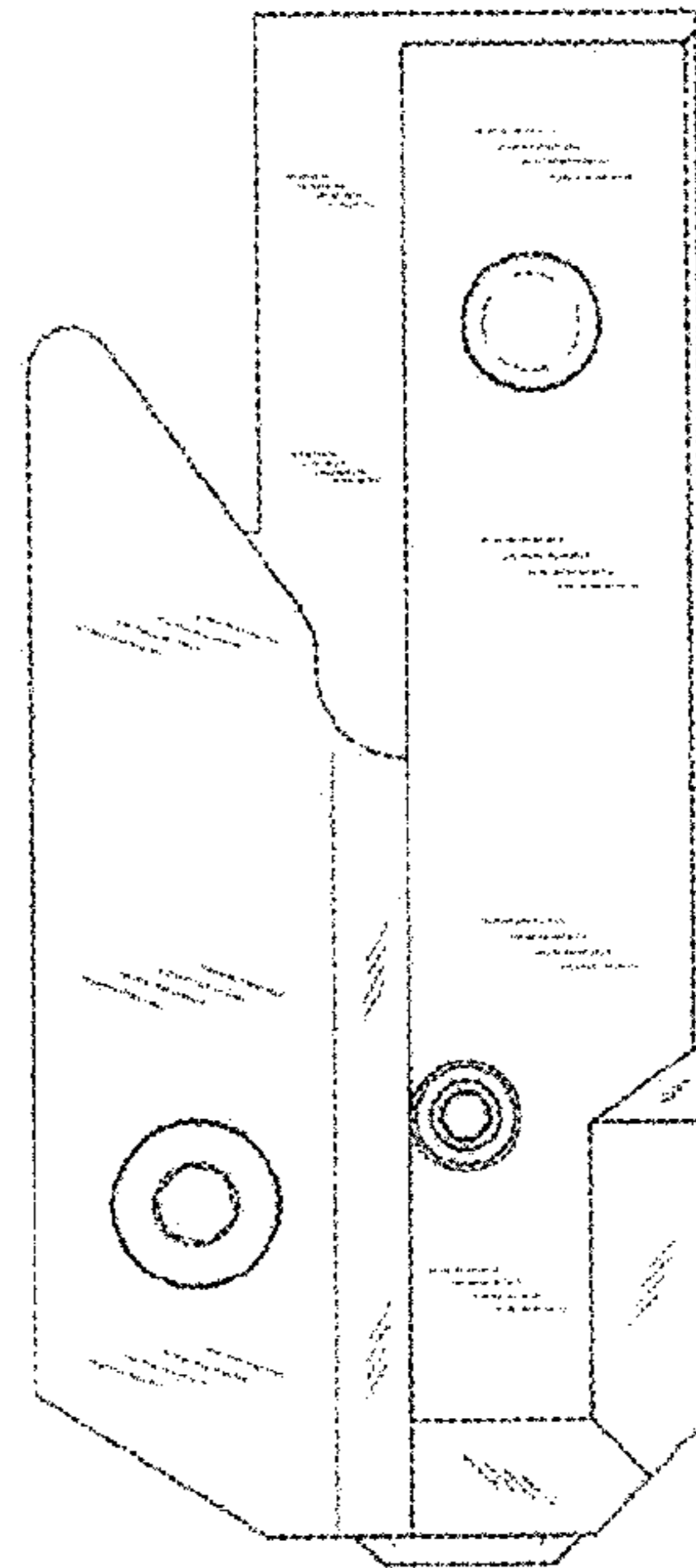


FIG. 5

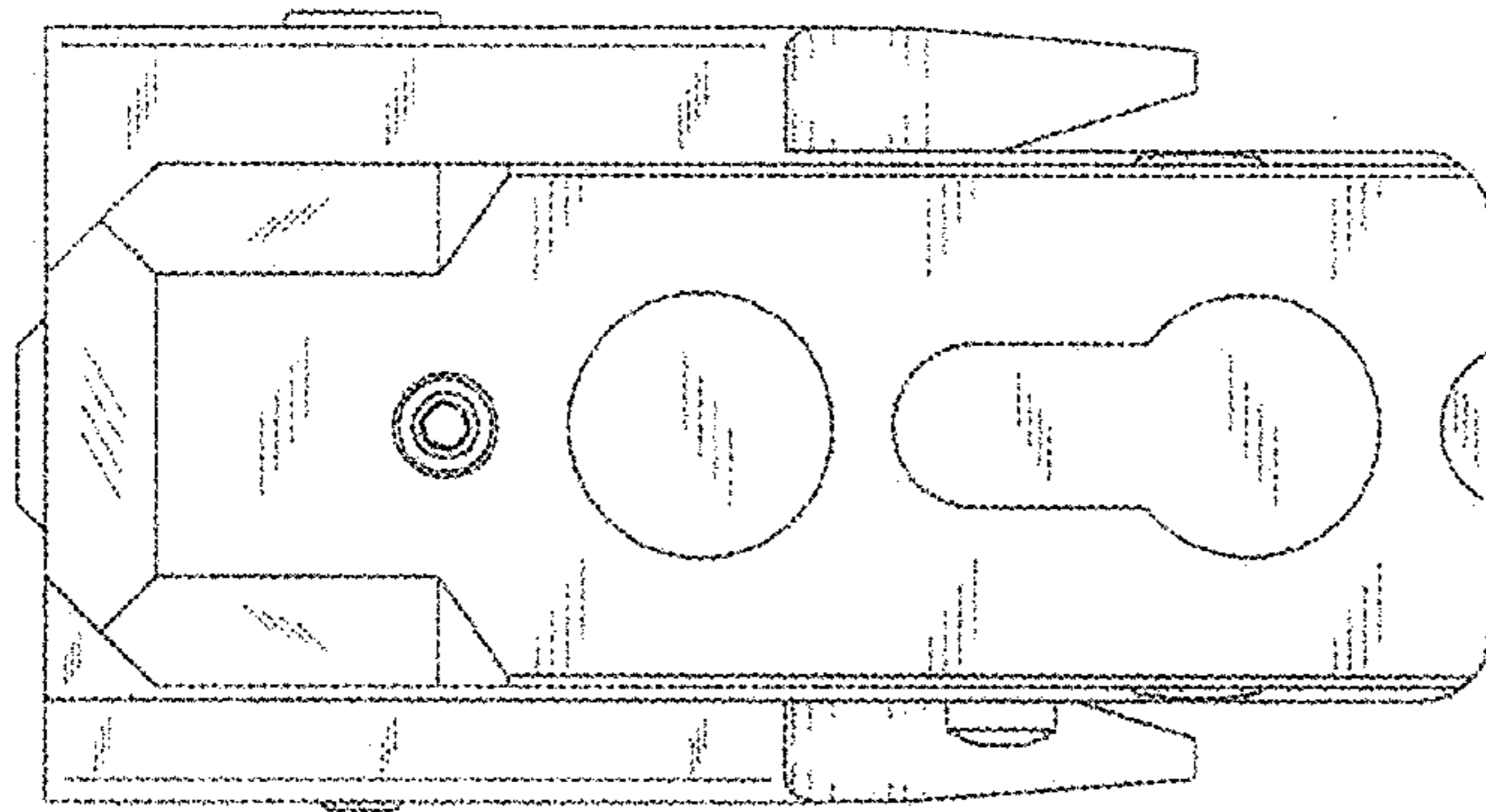


FIG. 6

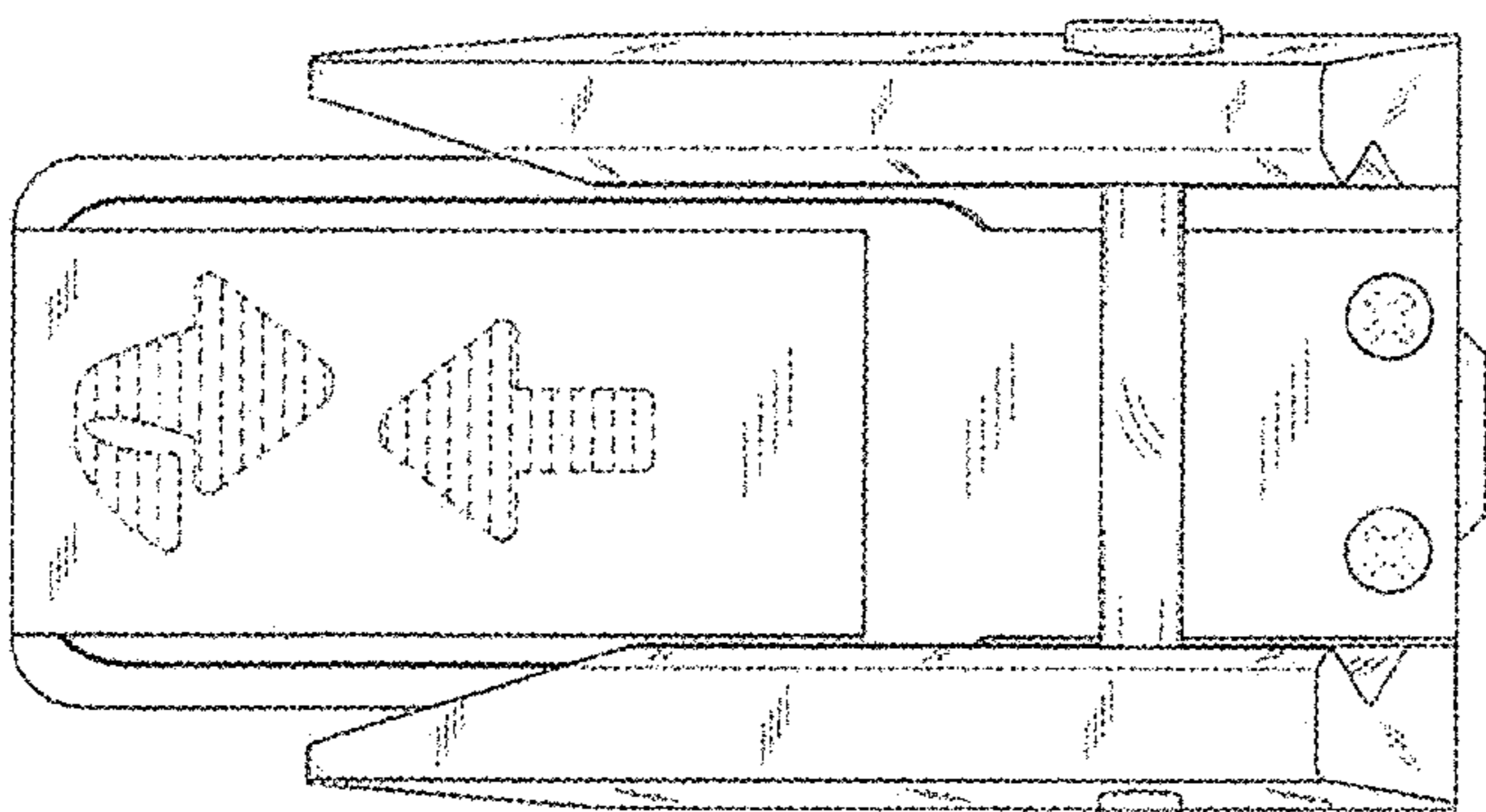


FIG. 7