



US00D737398S

(12) **United States Design Patent**
Spanel

(10) **Patent No.:** **US D737,398 S**

(45) **Date of Patent:** **** Aug. 25, 2015**

- (54) **RIFLE BARREL ADAPTER**
- (71) Applicant: **James Spanel**, Springfield, OH (US)
- (72) Inventor: **James Spanel**, Springfield, OH (US)
- (**) Term: **14 Years**
- (21) Appl. No.: **29/488,128**
- (22) Filed: **Apr. 16, 2014**
- (51) **LOC (10) Cl.** **22-01**
- (52) **U.S. Cl.**
USPC **D22/108**
- (58) **Field of Classification Search**
USPC D22/108; 42/8-12, 44, 63-64,
42/75.01-75.04, 76.01, 76.02-76.1;
89/14.05, 14.1-14.8
CPC F41A 21/02; F41A 21/08; F41A 21/48;
F41A 21/481; F41A 21/482; F41A 21/484;
F41A 21/485; F41A 21/487; F41A 21/488
See application file for complete search history.

6,619,179	B2 *	9/2003	Mika	89/14.05
7,076,904	B1 *	7/2006	Rustick	42/75.02
7,353,740	B1 *	4/2008	Hoffman	89/14.05
8,296,989	B1 *	10/2012	Hawthorne et al.	42/105
2004/0088897	A1 *	5/2004	Braverman	42/1.09
2005/0066953	A1 *	3/2005	Zouboulakis	124/73
2011/0287389	A1 *	11/2011	Uhr	434/21

* cited by examiner

Primary Examiner — Michael A Pratt

(74) *Attorney, Agent, or Firm* — Mark A. Navarre

(57) **CLAIM**

The ornamental design for a rifle barrel adapter, as shown and described.

DESCRIPTION

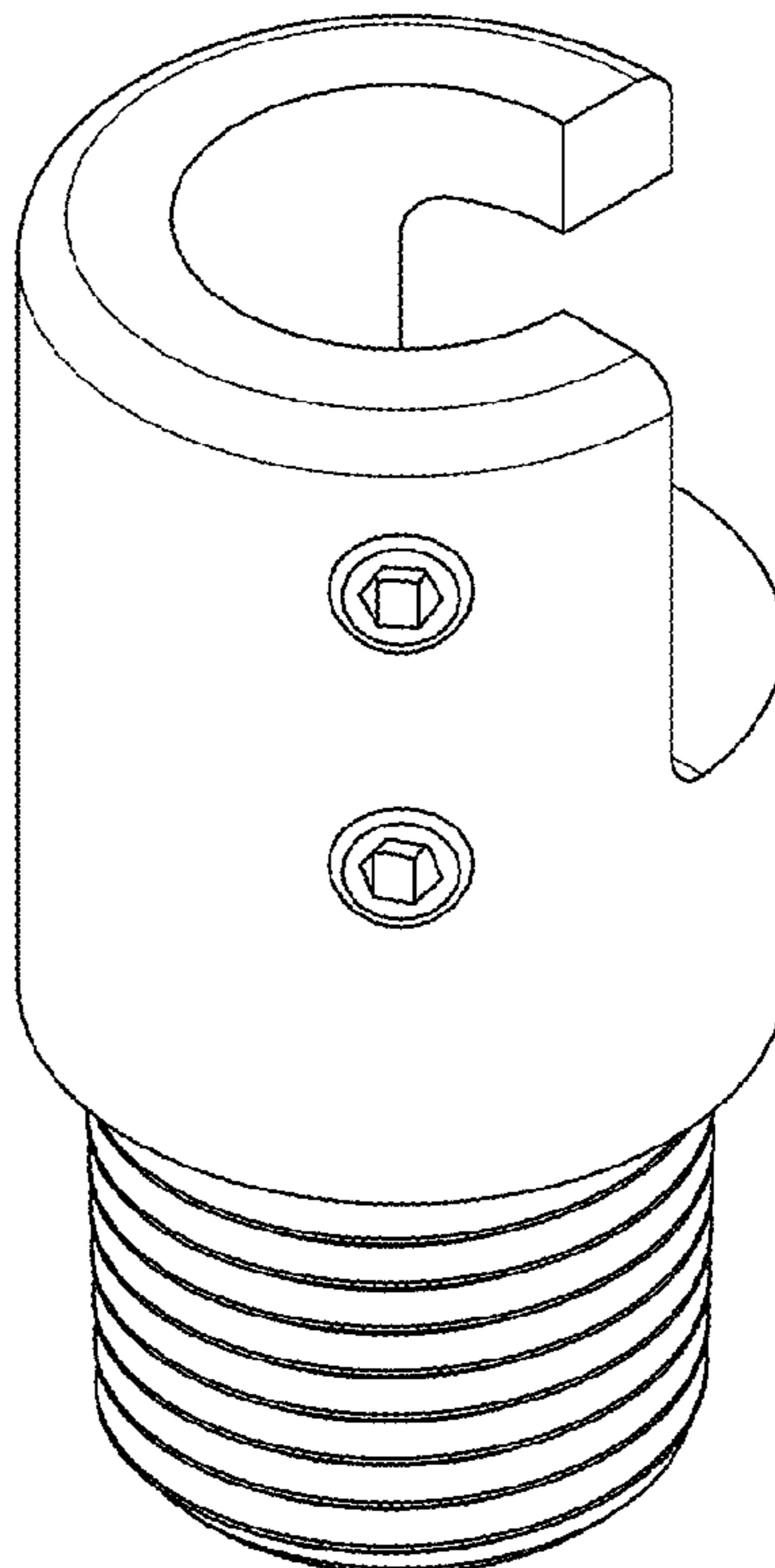
FIG. 1 is first perspective top view of a rifle barrel adapter according to the present design.
 FIG. 2 is second perspective top view of the rifle barrel adapter according to the present design.
 FIG. 3 a perspective bottom view of the rifle barrel adapter according to the present design.
 FIG. 4 is bottom plan view of the rifle barrel adapter shown in FIGS. 1-3; and,
 FIG. 5 is top plan view of the rifle barrel adapter shown in FIGS. 1-3.

1 Claim, 2 Drawing Sheets

(56) **References Cited**

U.S. PATENT DOCUMENTS

3,196,569	A *	7/1965	Thomason	42/77
3,805,434	A *	4/1974	Sudano	42/77
4,058,922	A *	11/1977	Elbe et al.	42/16
4,069,608	A *	1/1978	Jurek	42/49.02
5,706,598	A *	1/1998	Johnston	42/51
5,729,927	A *	3/1998	Shaver, Jr.	42/77



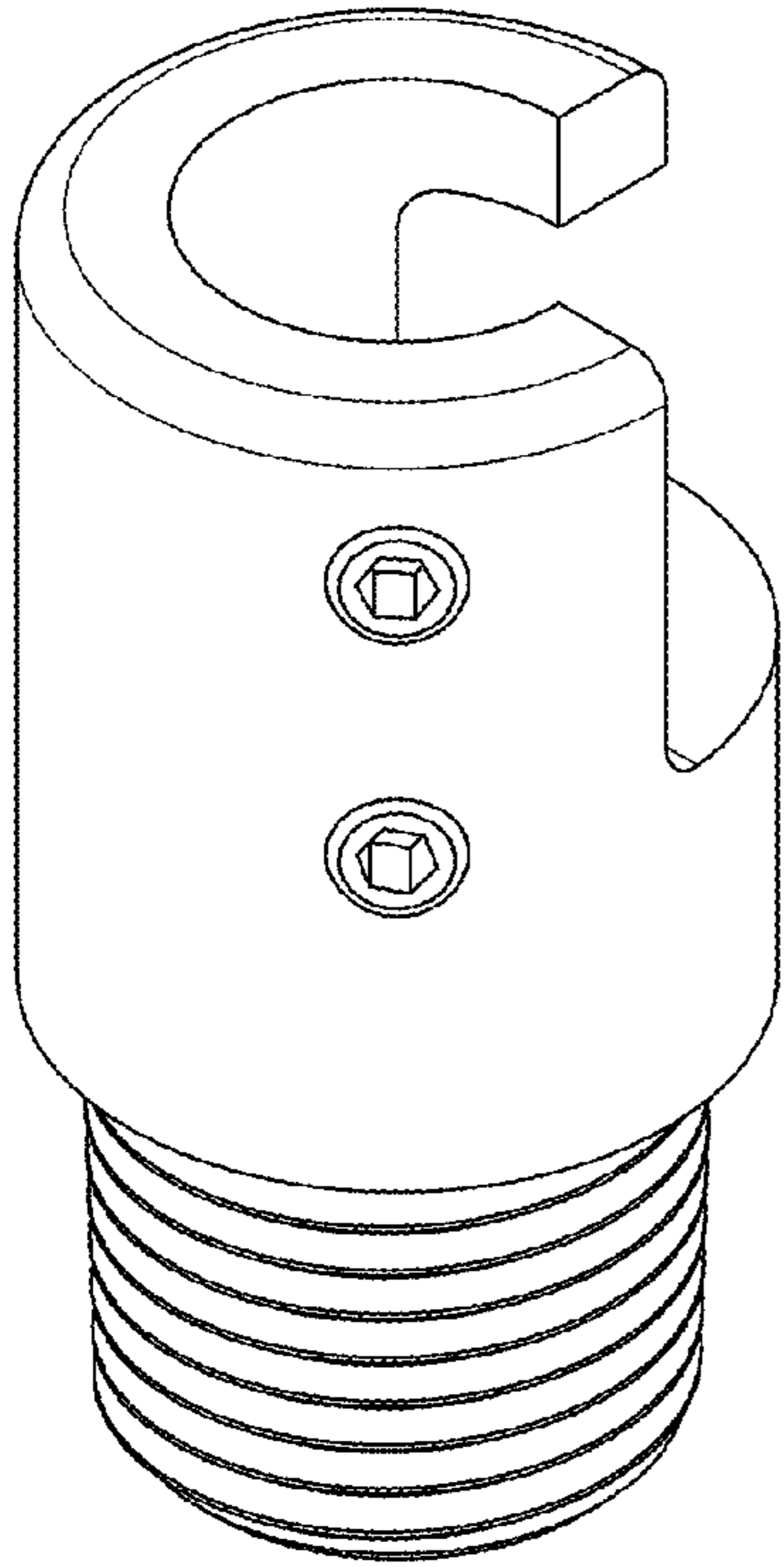


FIG. 1

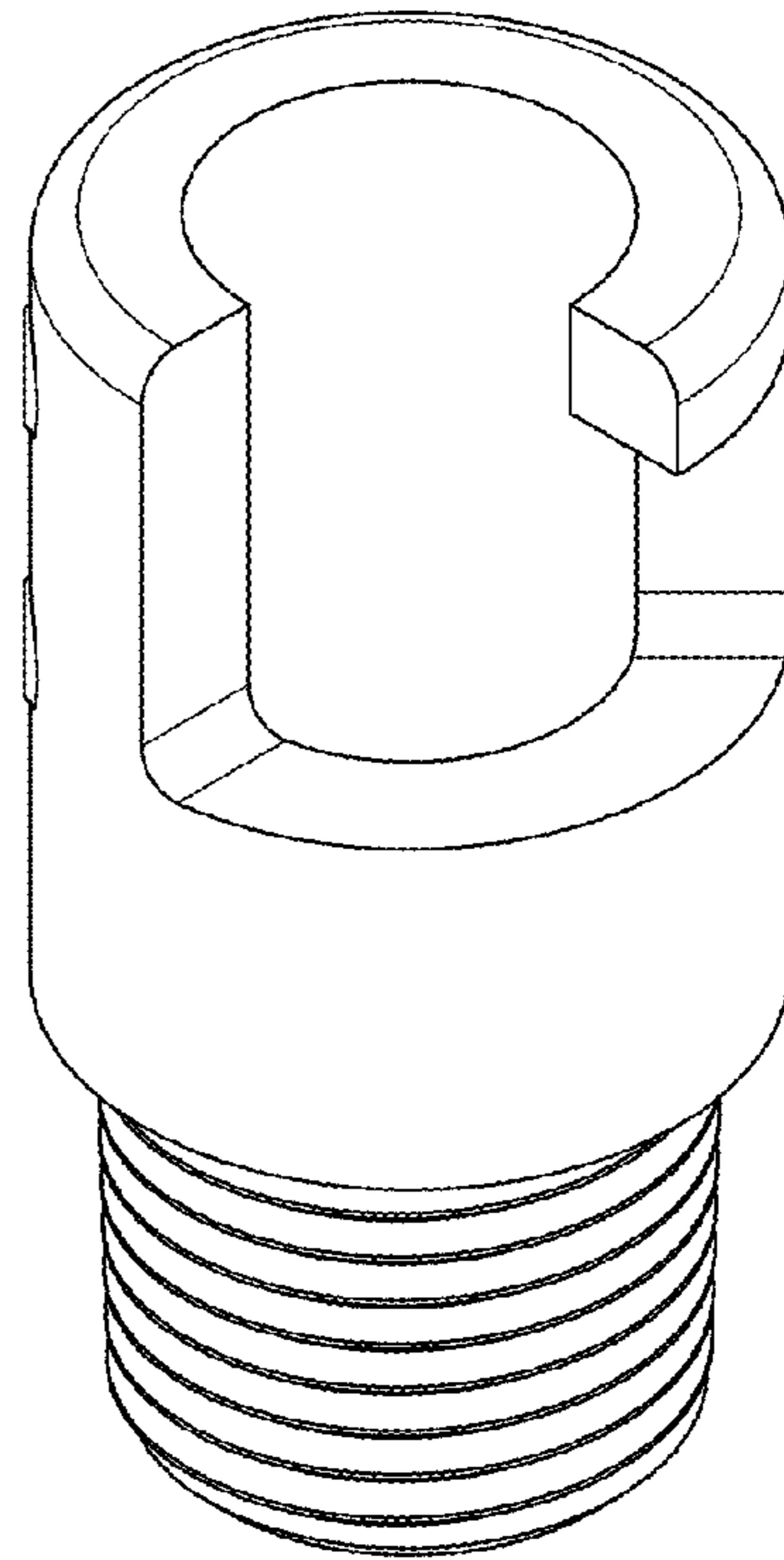


FIG. 2

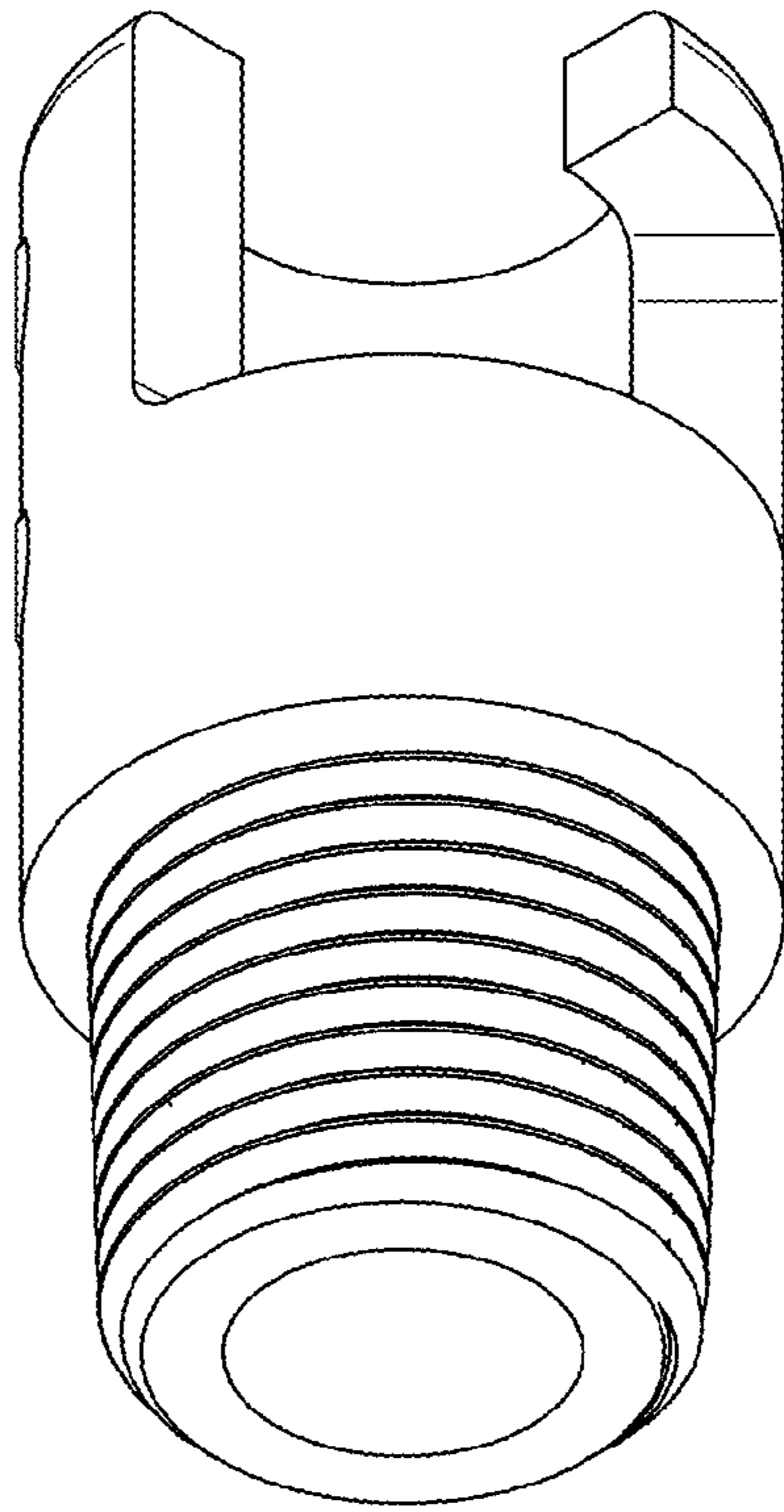


FIG. 3

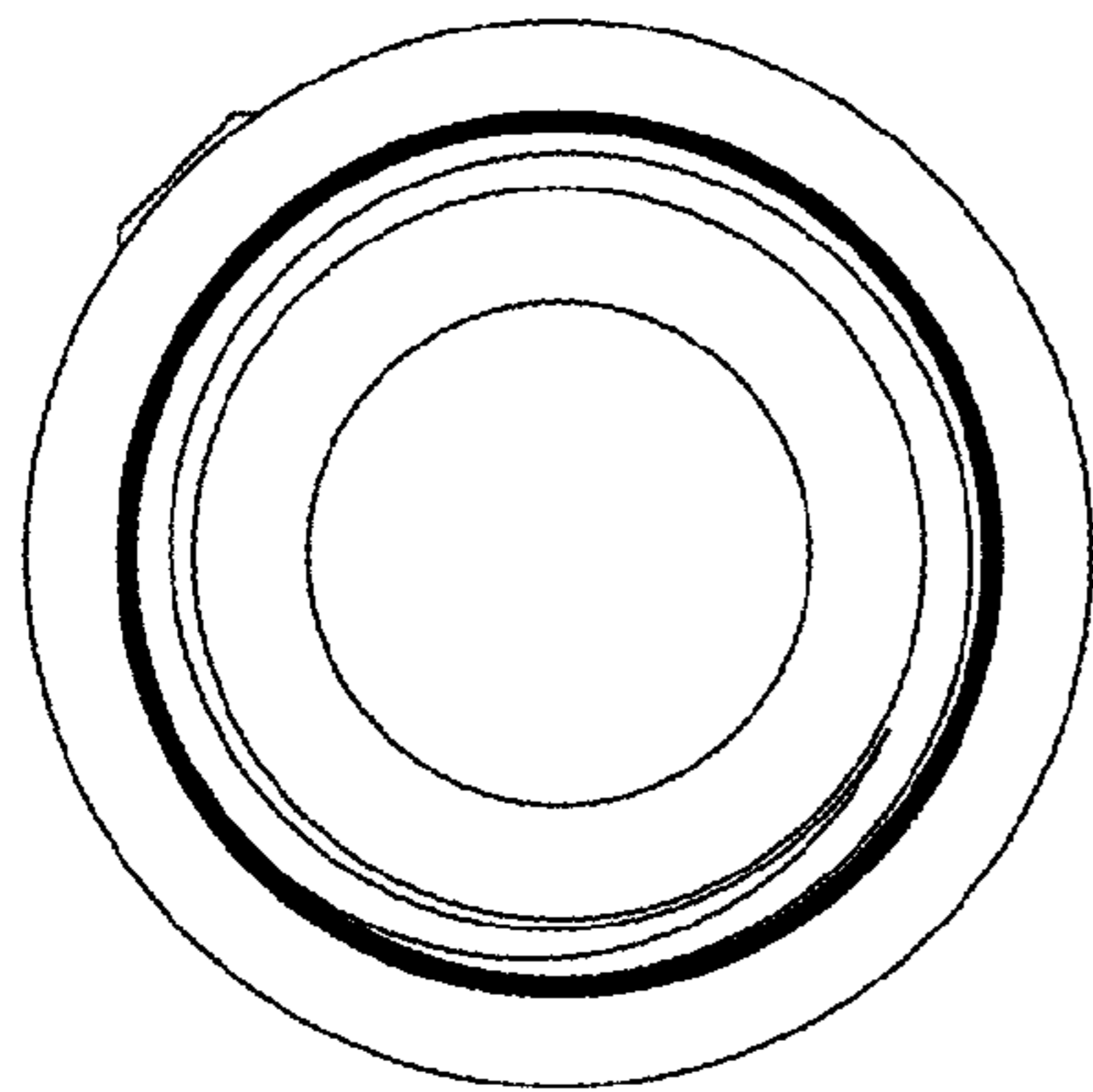


FIG. 4

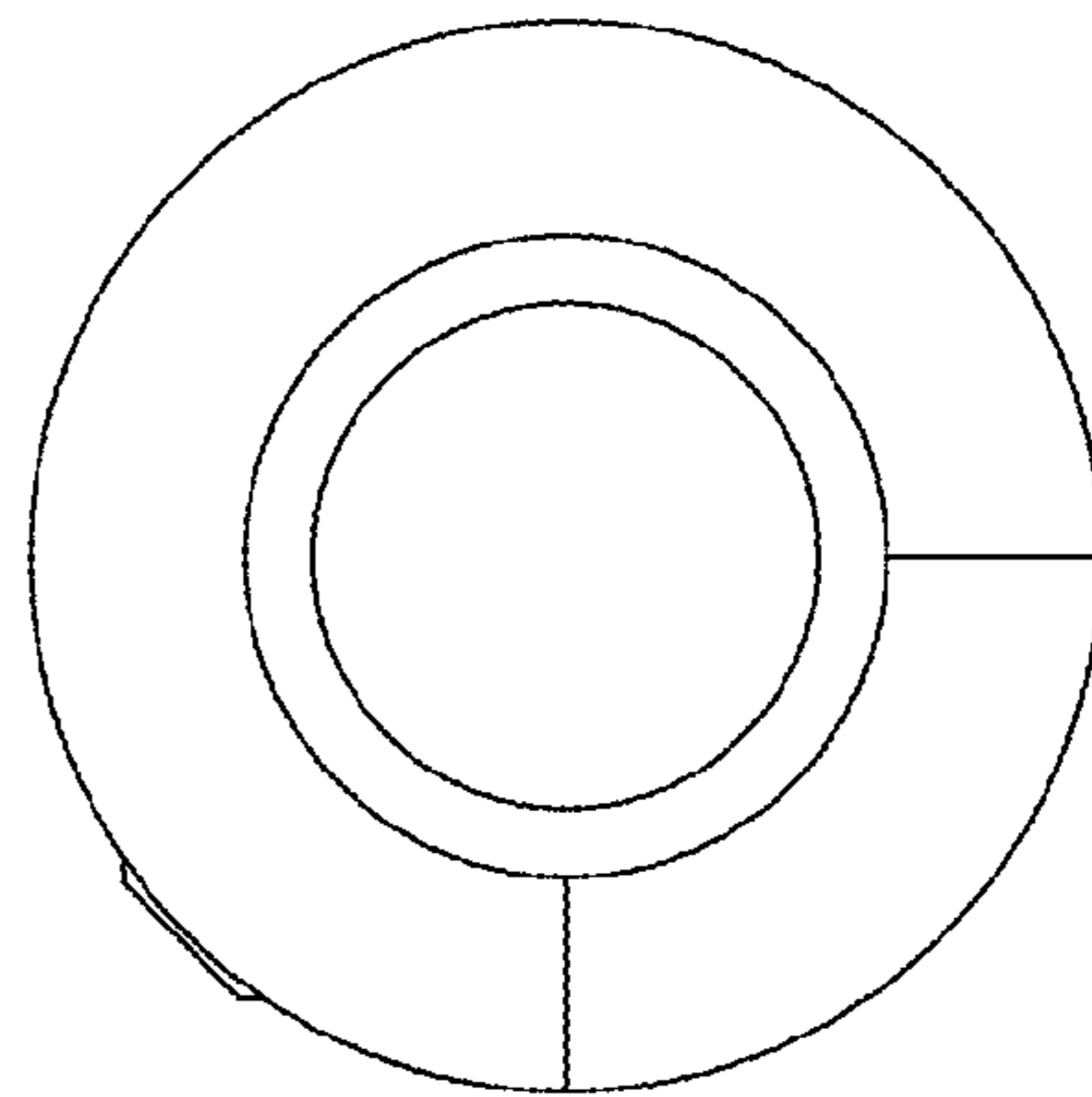


FIG. 5