



US00D737397S

(12) **United States Design Patent**  
**Cheng et al.**

(10) **Patent No.:** **US D737,397 S**

(45) **Date of Patent:** **\*\* Aug. 25, 2015**

- (54) **FIREARM HANDGUARD**
- (71) Applicants: **Carson Cheng**, City of Industry, CA (US); **Jason Michael Cheng**, City of Industry, CA (US)
- (72) Inventors: **Carson Cheng**, City of Industry, CA (US); **Jason Michael Cheng**, City of Industry, CA (US)
- (73) Assignee: **NcSTAR, Inc.**, City of Industry, CA (US)
- (\*\*) Term: **14 Years**
- (21) Appl. No.: **29/485,117**
- (22) Filed: **Mar. 16, 2014**
- (51) **LOC (10) Cl.** ..... **22-01**
- (52) **U.S. Cl.**  
USPC ..... **D22/108**
- (58) **Field of Classification Search**  
USPC ..... D22/108; 42/109–114; 362/90, 94, 114, 362/117, 124–127, 131, 146  
CPC ..... F41C 23/10; F41C 23/14; F41C 23/16; F41C 23/18  
See application file for complete search history.

8,091,265	B1 *	1/2012	Teetzel et al.	42/72
8,201,353	B1 *	6/2012	Swan	42/71.01
8,904,691	B1 *	12/2014	Kincel	42/71.01
9,032,658	B2 *	5/2015	Geissele	42/71.01
2006/0010748	A1 *	1/2006	Stoner et al.	42/71.01
2006/0236582	A1 *	10/2006	Lewis et al.	42/73
2007/0006509	A1 *	1/2007	DeSomma et al.	42/72
2007/0017139	A1 *	1/2007	Larue	42/75.1
2008/0092422	A1 *	4/2008	Daniel et al.	42/90
2012/0167434	A1 *	7/2012	Masters	42/90
2014/0130390	A1 *	5/2014	Geissele	42/71.01

\* cited by examiner

*Primary Examiner* — Michael A Pratt

(74) *Attorney, Agent, or Firm* — Raymond Y. Chan; David and Raymond Patent Firm

(57) **CLAIM**

The ornamental design for a firearm handguard, as shown and described.

**DESCRIPTION**

FIG. 1 is a perspective view of an upper casing and a lower casing of a firearm handguard showing my new design.

FIG. 2 is a front view of the upper and lower casings of the firearm handguard.

FIG. 3 is a rear view of the upper and lower casings of the firearm handguard.

FIG. 4 is a left view of the upper and lower casings of the firearm handguard.

FIG. 5 is a right view of the upper and lower casings of the firearm handguard.

FIG. 6 is a top view of the upper and lower casings of the firearm handguard.

FIG. 7 is a bottom view of the upper and lower casings of the firearm handguard; and,

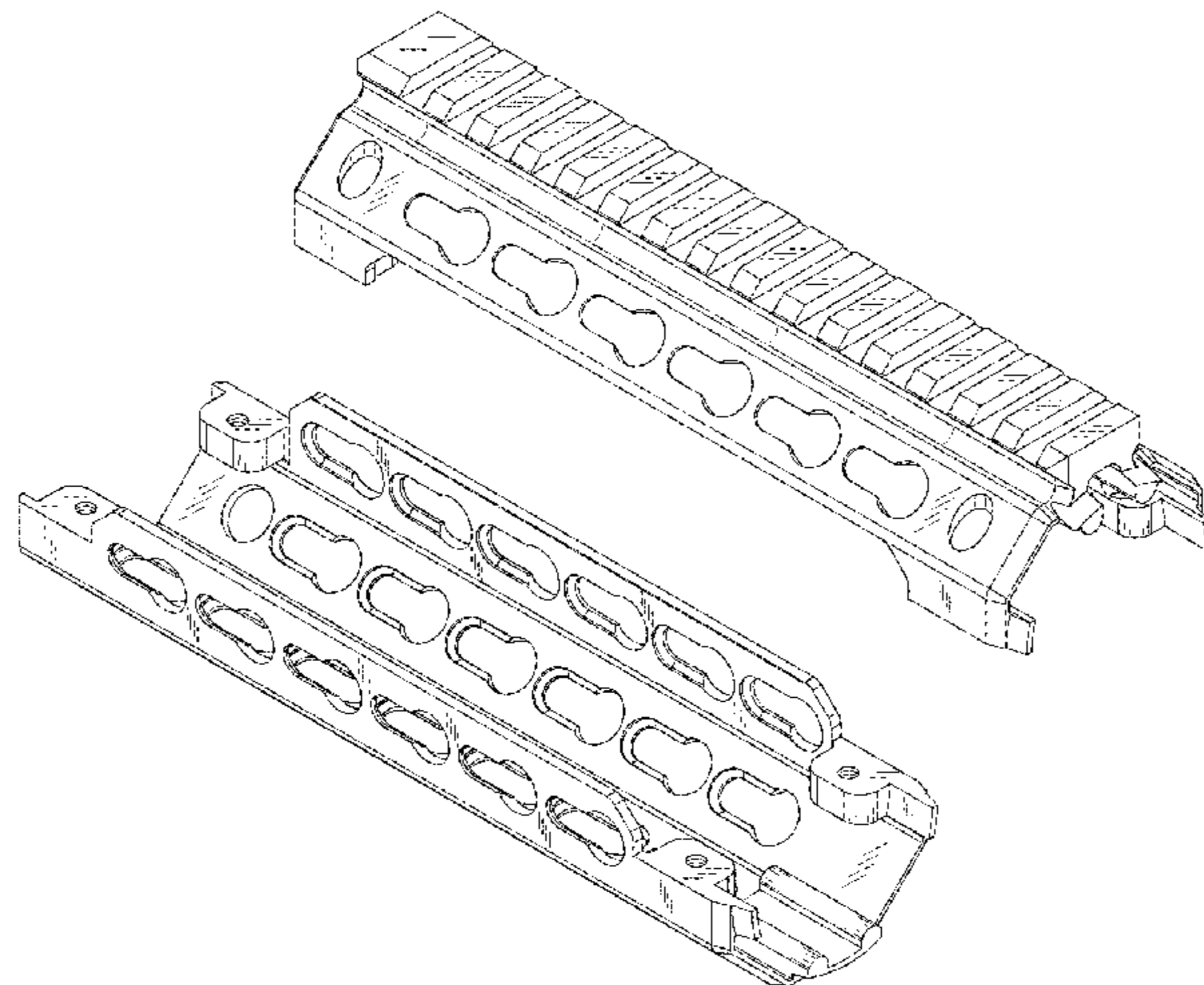
FIG. 8 is a perspective view of the firearm handguard, showing of the upper and lower casings are attached with each other to form the firearm handguard.

**1 Claim, 8 Drawing Sheets**

(56) **References Cited**

U.S. PATENT DOCUMENTS

5,826,363	A *	10/1998	Olson	42/75.01
D477,855	S *	7/2003	Selvaggio	D22/108
7,131,228	B2 *	11/2006	Hochstrate et al.	42/75.01
D590,473	S *	4/2009	Fitzpatrick et al.	D22/103
D607,958	S *	1/2010	Swan	D22/108
D613,811	S *	4/2010	Swan	D22/108
D616,521	S *	5/2010	Starnes	D22/108
7,905,041	B1 *	3/2011	Davies	42/75.02
D639,376	S *	6/2011	Ding	D22/108
D641,450	S *	7/2011	Ding	D22/108



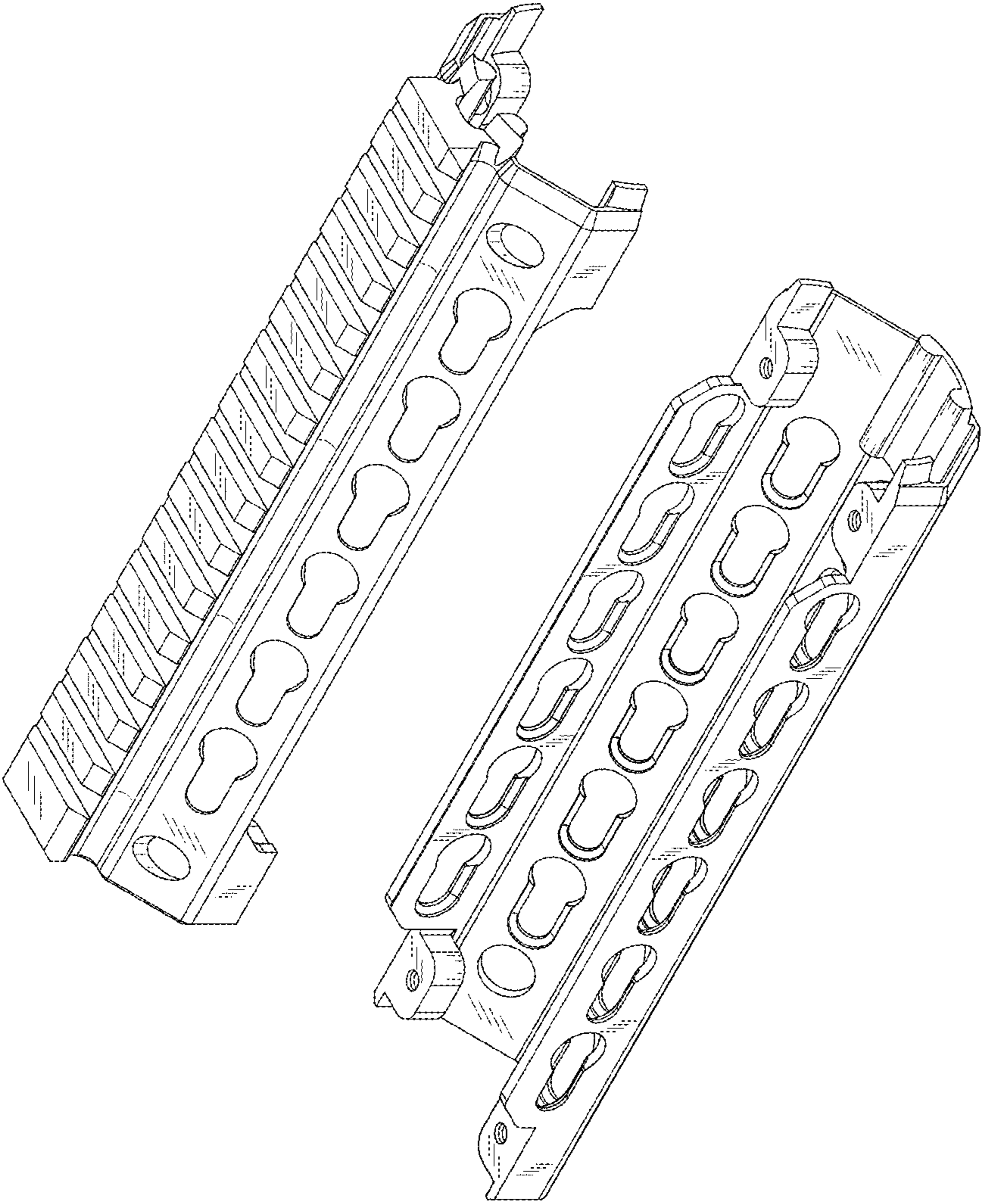


FIG.1

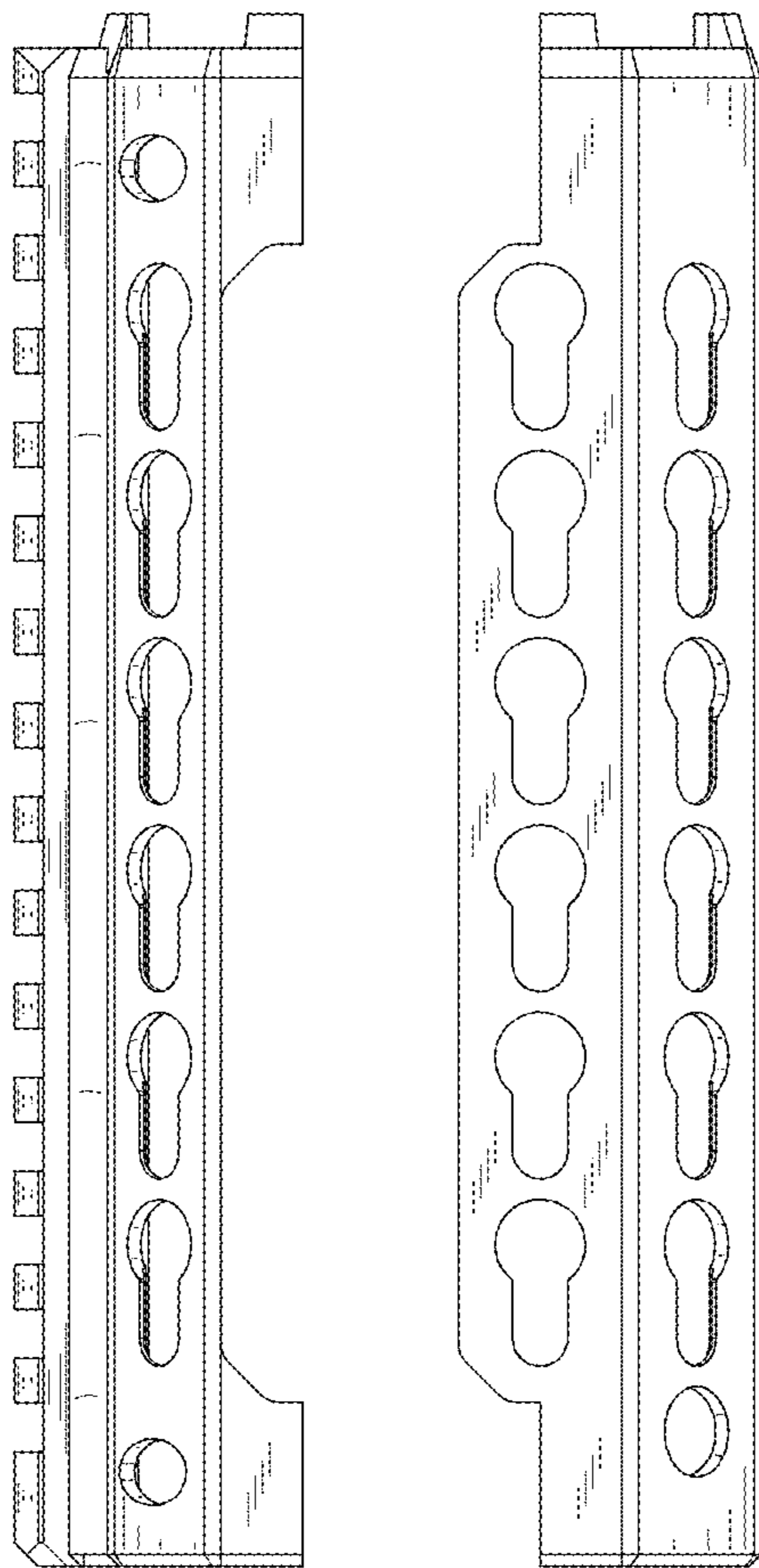


FIG.2

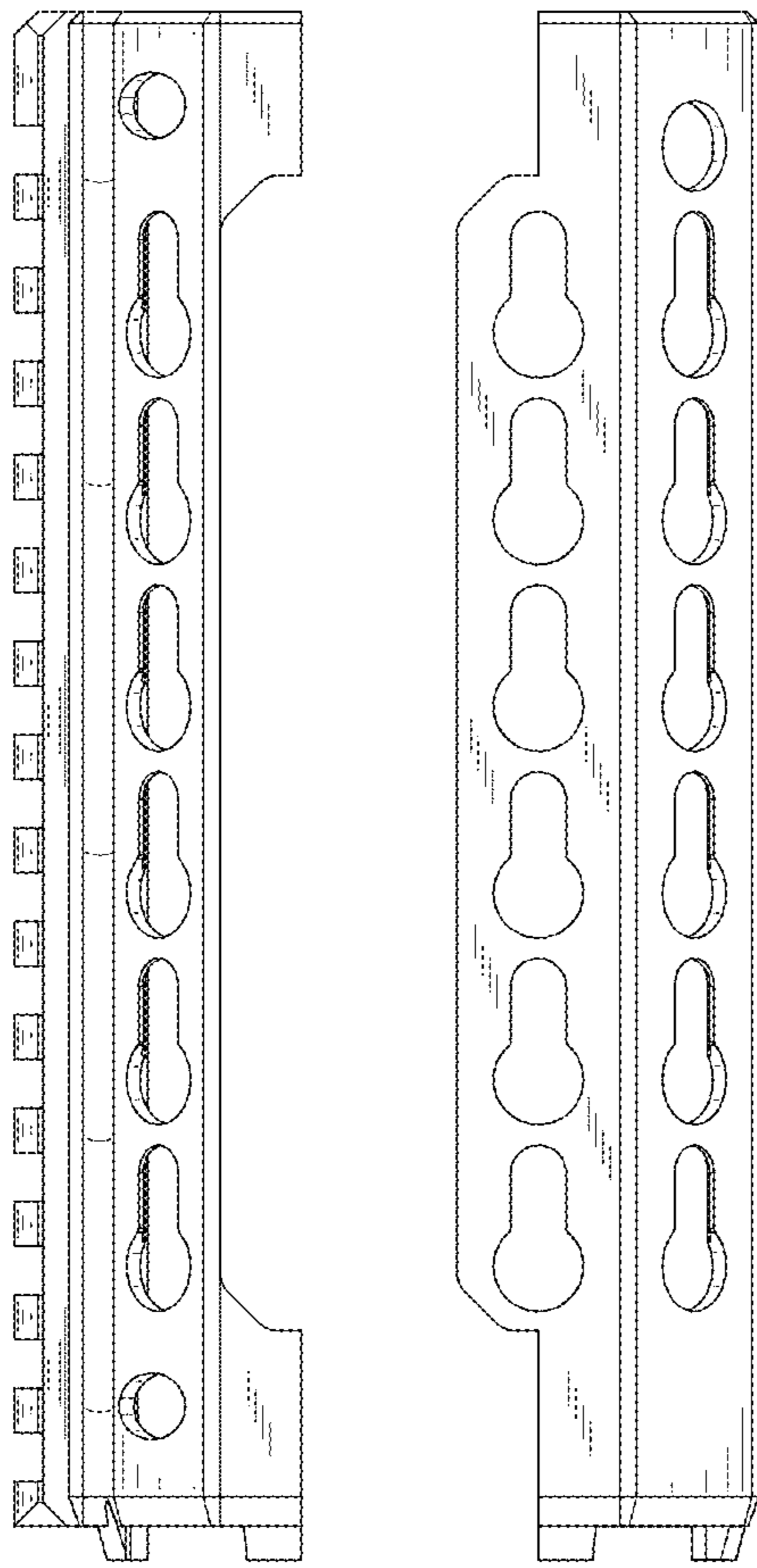


FIG. 3

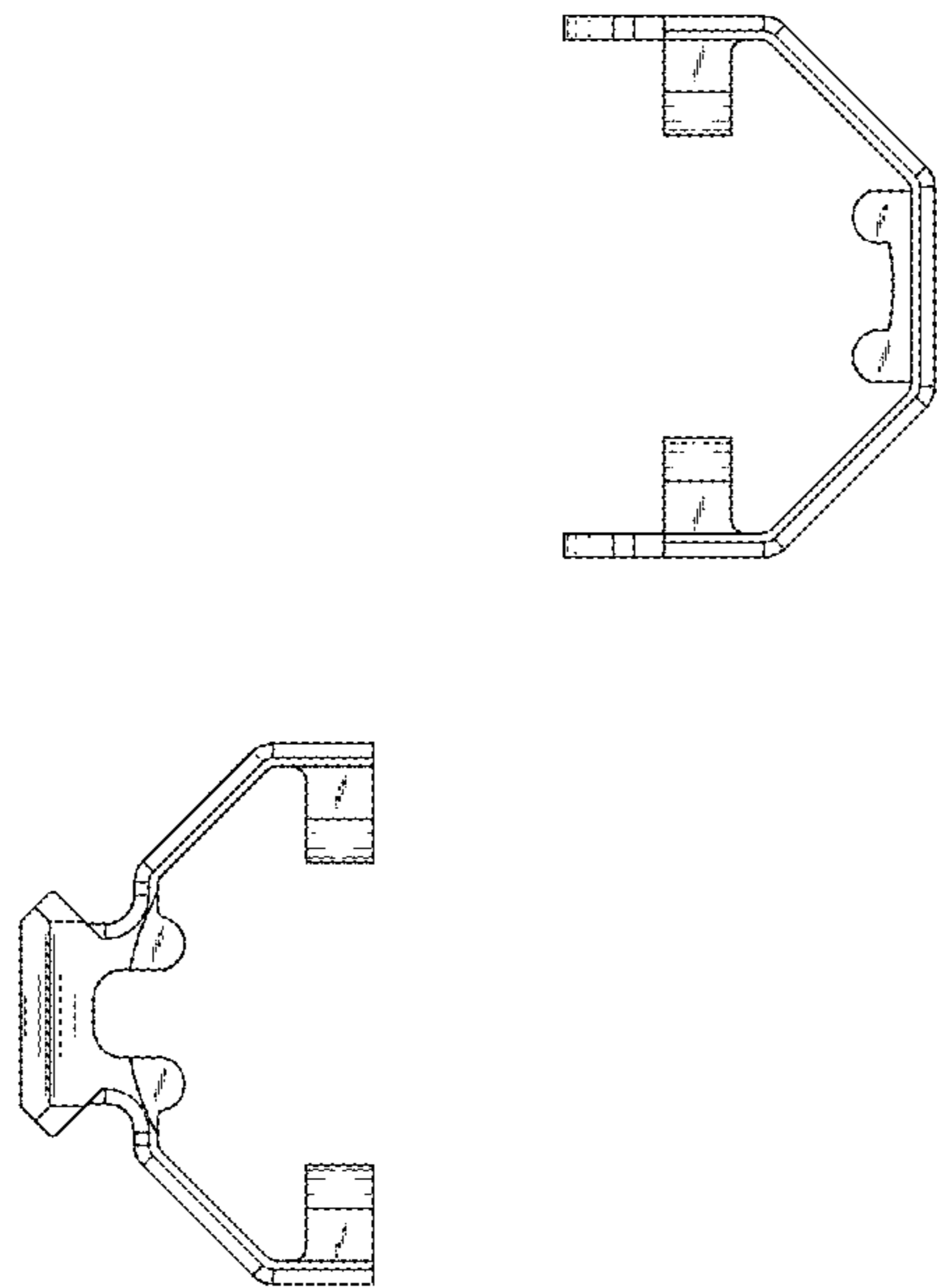


FIG.4

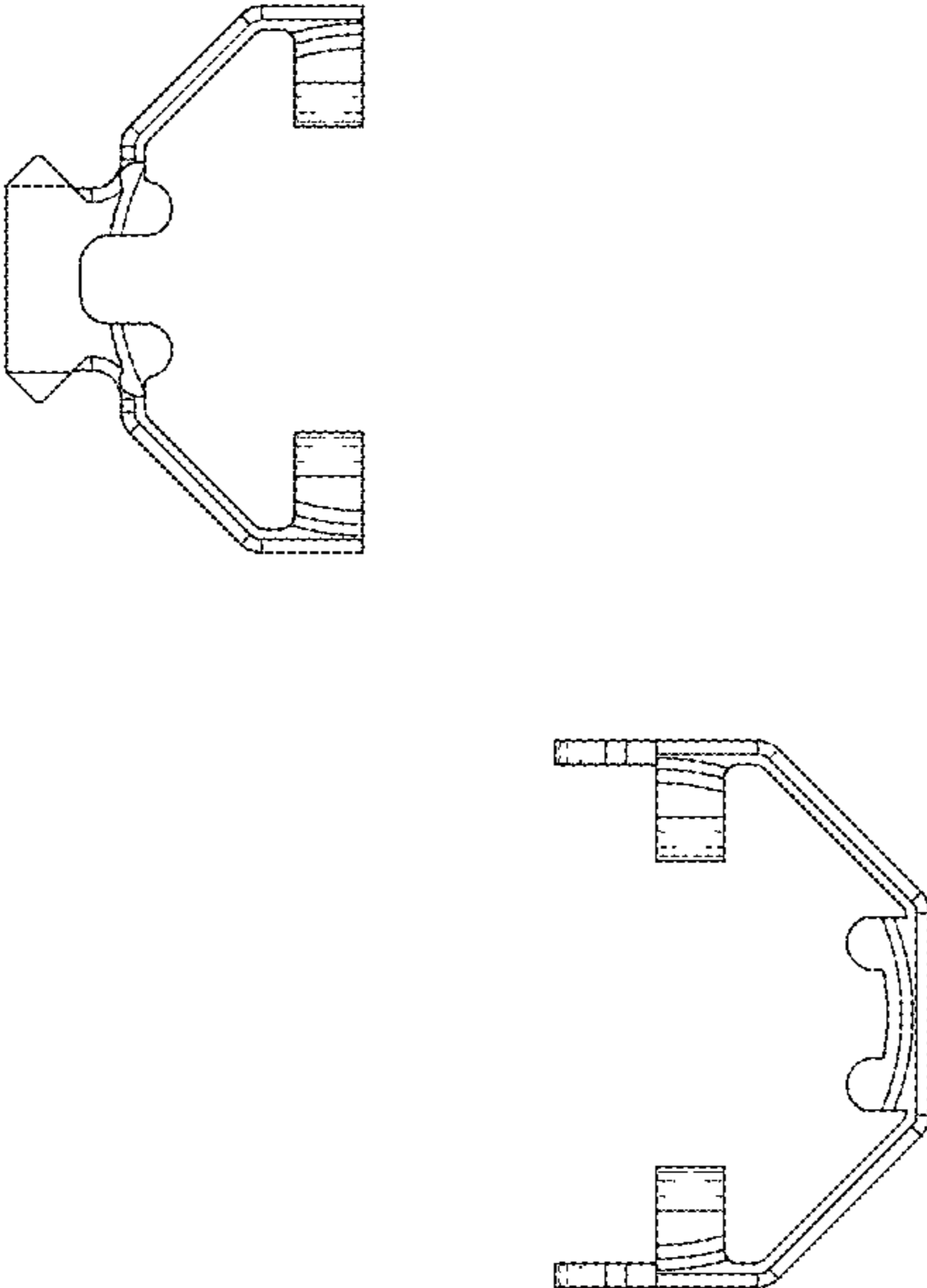


FIG.5

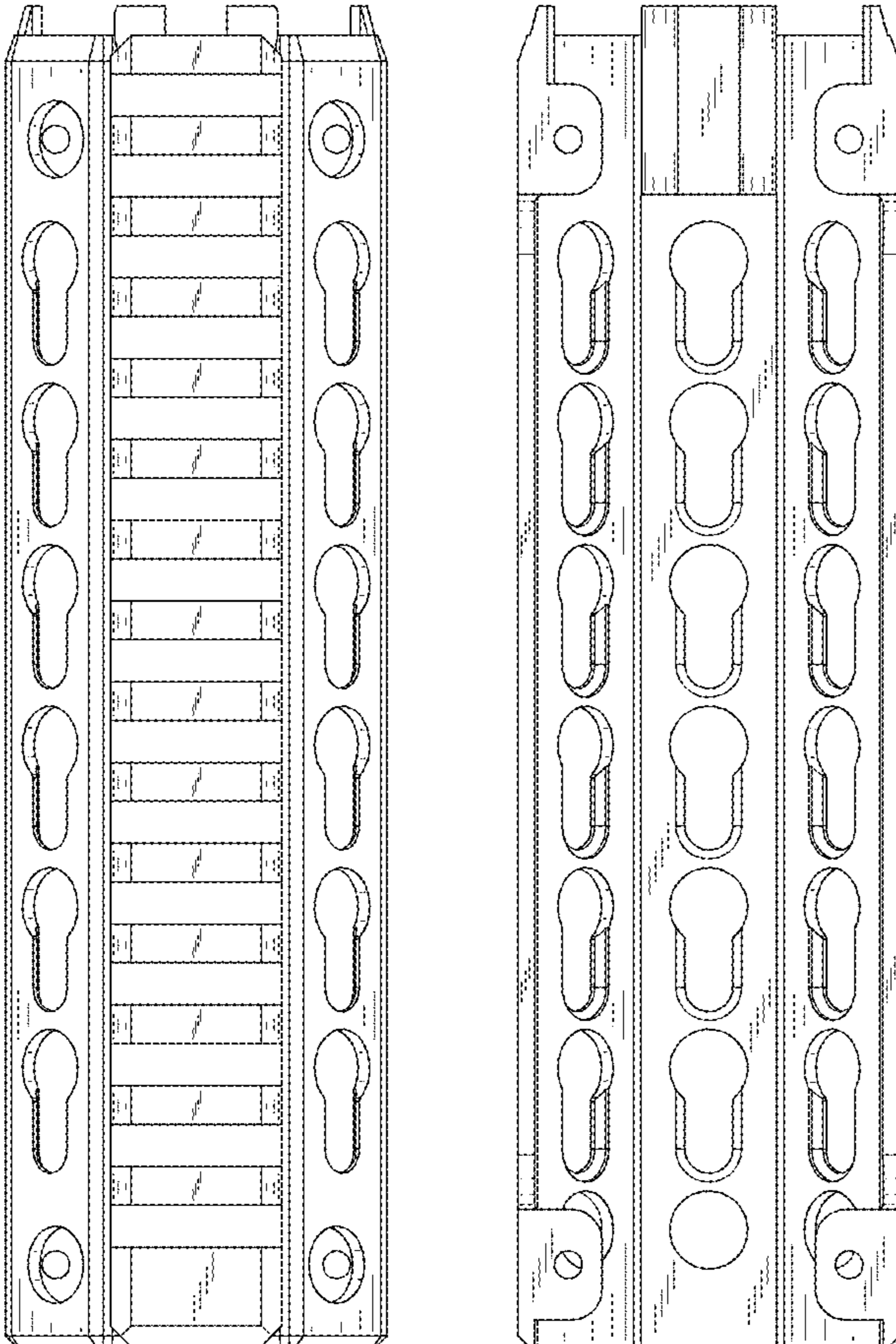


FIG.6

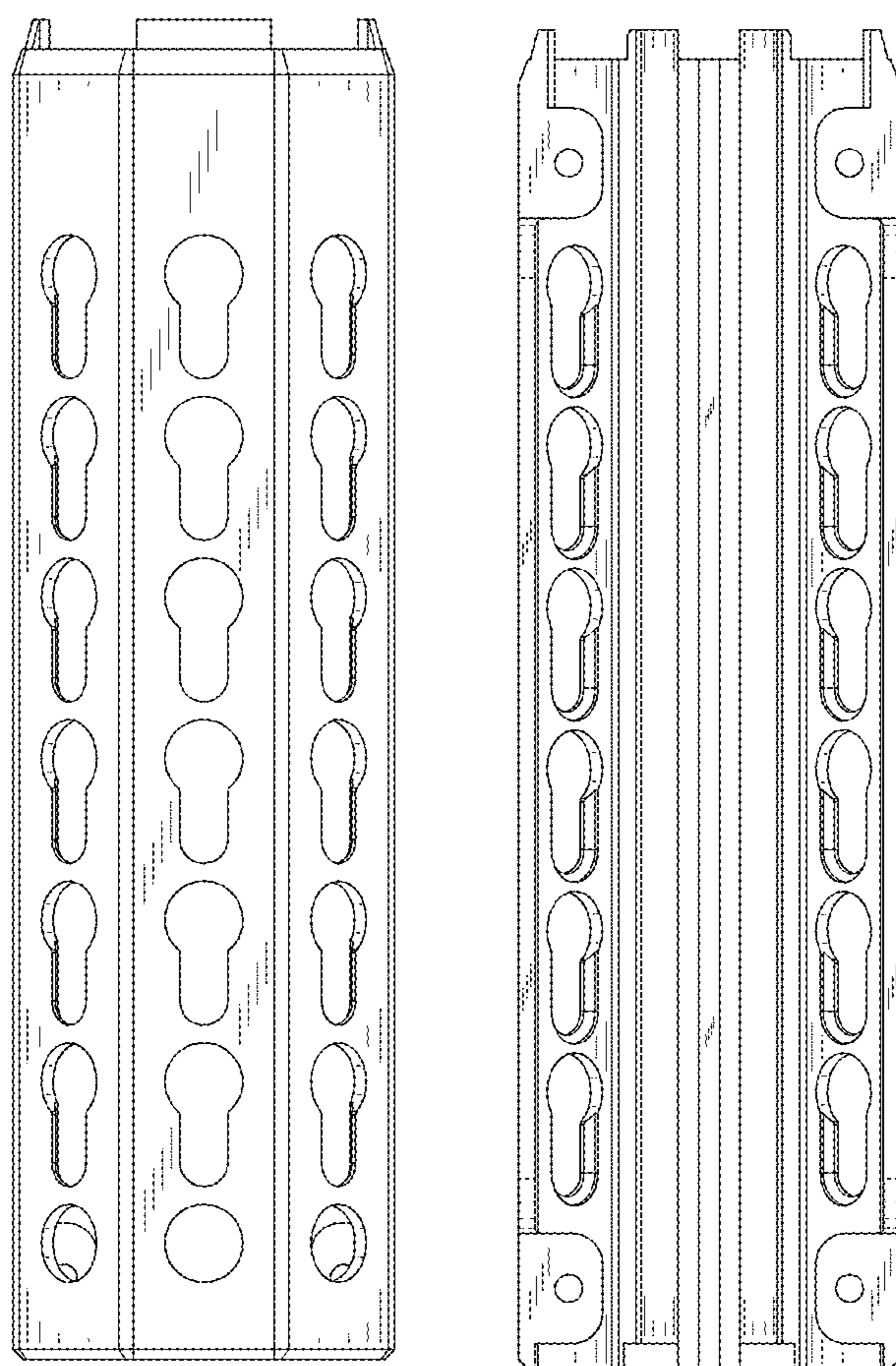


FIG.7



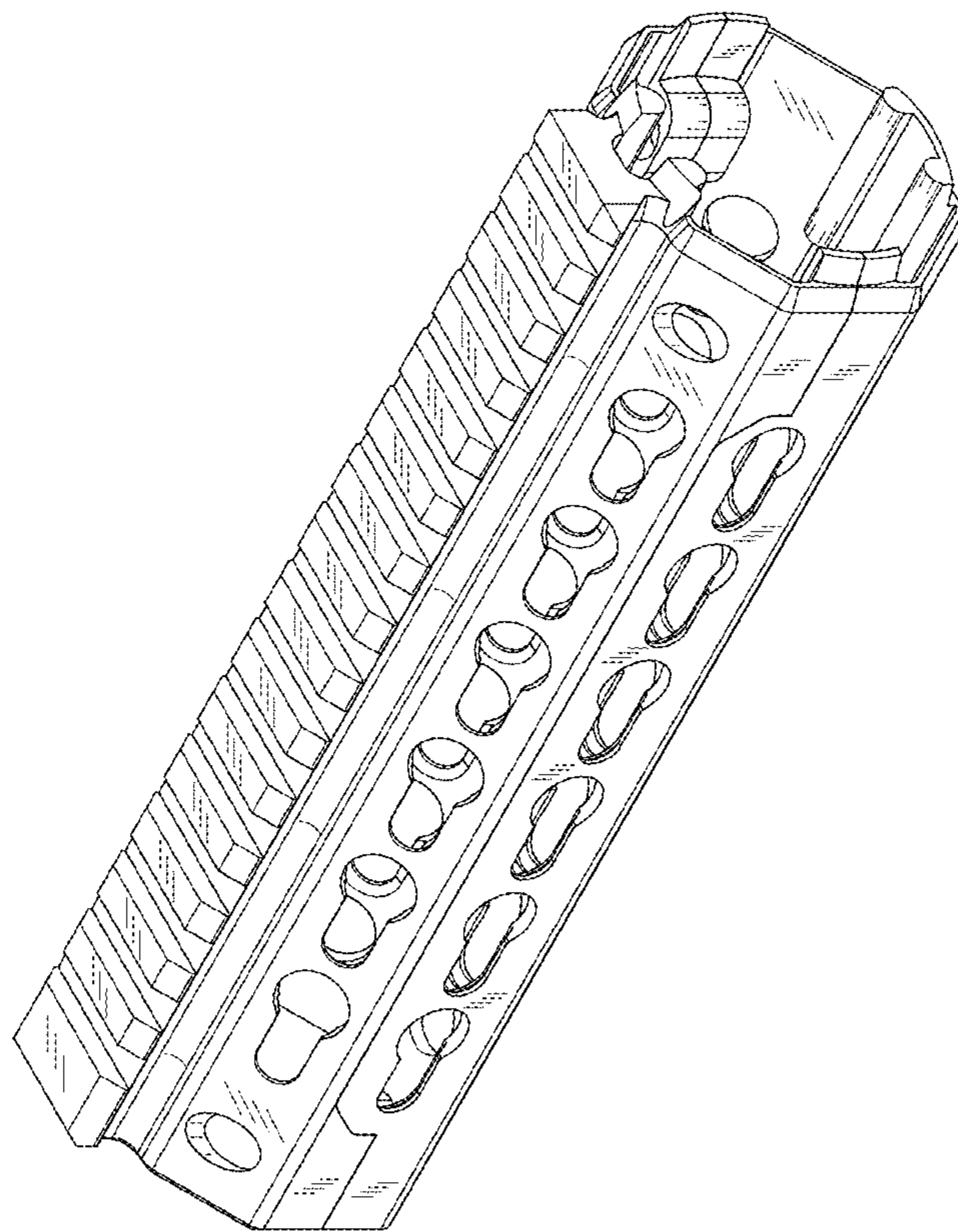


FIG. 8