



US00D737396S

(12) **United States Design Patent**  
**Paganis**

(10) **Patent No.:** **US D737,396 S**

(45) **Date of Patent:** **\*\* Aug. 25, 2015**

(54) **PISTOL COMPENSATOR**

(71) Applicant: **The Shooter's Box, LLC**, Malden, MA (US)

(72) Inventor: **Stathe Paganis**, Malden, MA (US)

(73) Assignee: **The Shooter's Box, LLC**, Malden, MA (US)

(\*\*) Term: **14 Years**

(21) Appl. No.: **29/484,950**

(22) Filed: **Mar. 14, 2014**

(51) **LOC (10) Cl.** ..... **22-01**

(52) **U.S. Cl.**  
USPC ..... **D22/108**

(58) **Field of Classification Search**  
USPC ..... D22/103, 104, 108; D21/572-575;  
42/1.06, 107, 76.02-76.1;  
89/14.1-14.8, 14.05, 177; 181/223  
CPC ..... F41A 21/32; F41A 21/325; F41A 21/34;  
F41A 21/36; F41A 21/38; F41A 21/40;  
F41A 21/42  
See application file for complete search history.

(56) **References Cited**

U.S. PATENT DOCUMENTS

5,305,678	A *	4/1994	Talbot et al.	89/14.3
5,563,362	A	10/1996	York	
D417,252	S	11/1999	Kay	
6,604,445	B2 *	8/2003	Sevastian	89/14.3
6,837,139	B2 *	1/2005	Meyers	89/14.2
7,194,836	B1 *	3/2007	Urban	42/60
7,328,645	B1 *	2/2008	Curry et al.	89/14.3
D610,221	S *	2/2010	Brittingham	D22/108
7,661,349	B1 *	2/2010	Brittingham	89/14.4
D687,119	S *	7/2013	Dueck	D22/108
8,490,536	B2 *	7/2013	Butler	89/14.3

D693,896	S *	11/2013	Dueck	D22/108
8,578,836	B2 *	11/2013	Lorenzut	89/195
D709,581	S *	7/2014	Langevin et al.	D22/108
2014/0075800	A1 *	3/2014	Morris, Jr.	42/1.06

\* cited by examiner

*Primary Examiner* — Michael A Pratt

(74) *Attorney, Agent, or Firm* — Antoinette G. Giugliano;  
AGG Intellectual Property Law

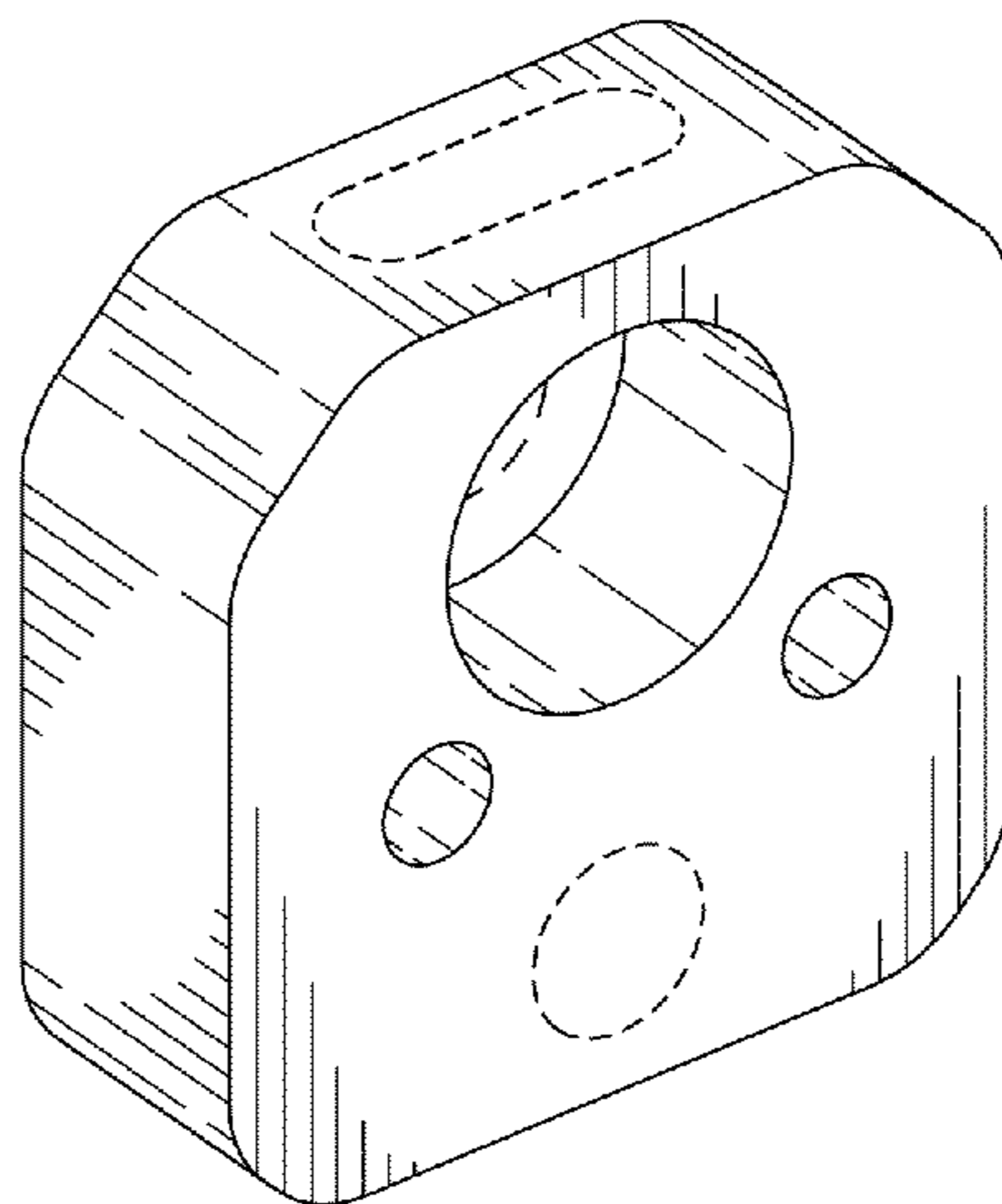
(57) **CLAIM**

The ornamental design for a pistol compensator, as shown and described.

**DESCRIPTION**

FIG. 1 is a perspective view of a first embodiment of the pistol compensator, for use with a gun. Different views of the first embodiment are shown on FIG. 1 through FIG. 7. FIG. 2 is a rear elevation view thereof. FIG. 3 is a front elevation view thereof. FIG. 4 is a top view thereof. FIG. 5 is a bottom view thereof. FIG. 6 is a left side elevation view thereof. FIG. 7 is a right side elevation view thereof. FIG. 8 is a perspective view of a second embodiment of the pistol compensator, for use with a gun. Different views of the second embodiment are shown on FIG. 8 through FIG. 14. FIG. 9 is a rear elevation view thereof. FIG. 10 is a front elevation view thereof. FIG. 11 is a top view thereof. FIG. 12 is a bottom view thereof. FIG. 13 is a left side elevation view thereof; and, FIG. 14 is a right side elevation view thereof. The broken lines shown in FIGS. 1 through 14 illustrate features of the article to which the design is applied that form no part of the claimed design.

**1 Claim, 6 Drawing Sheets**



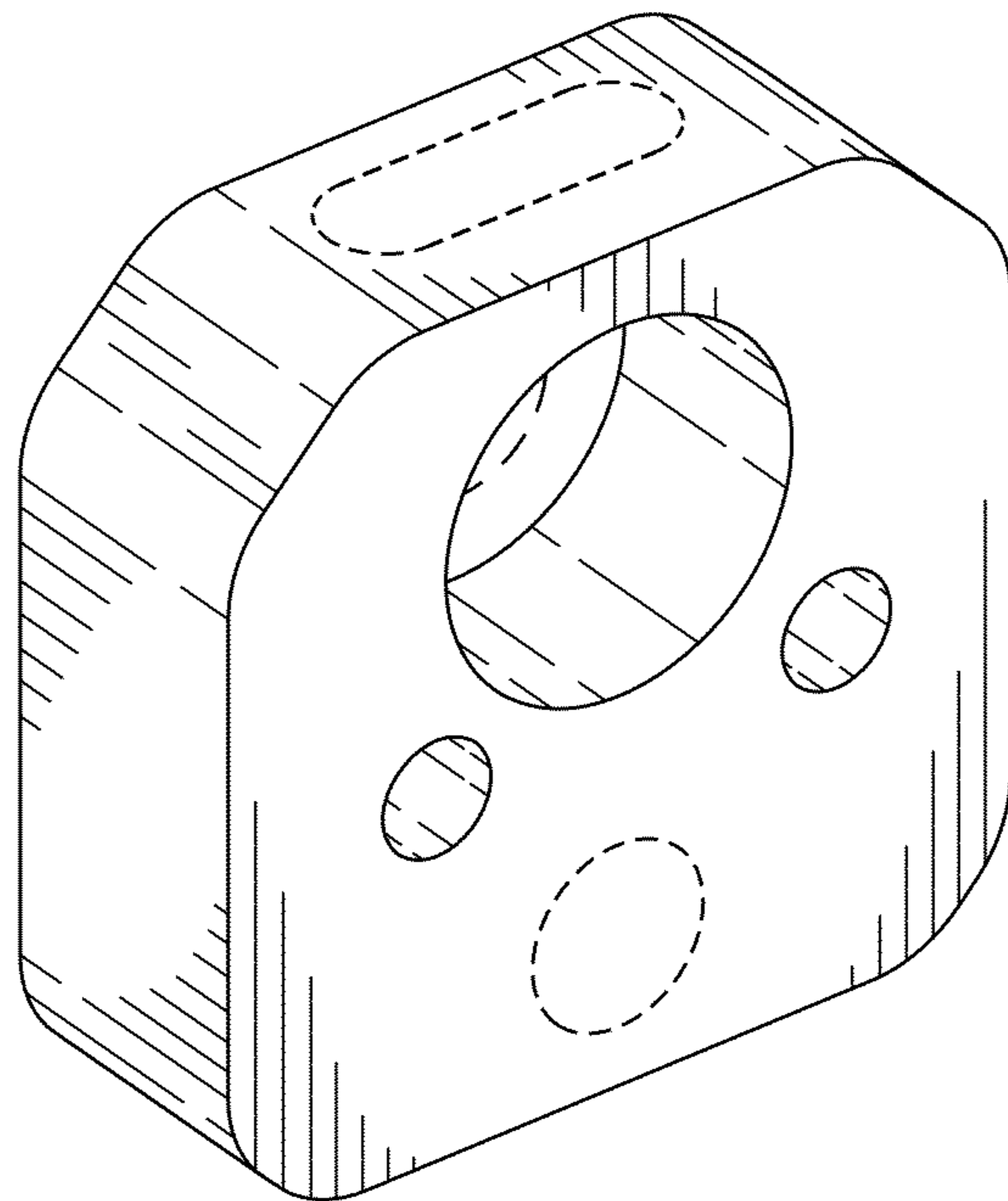


FIG. 1

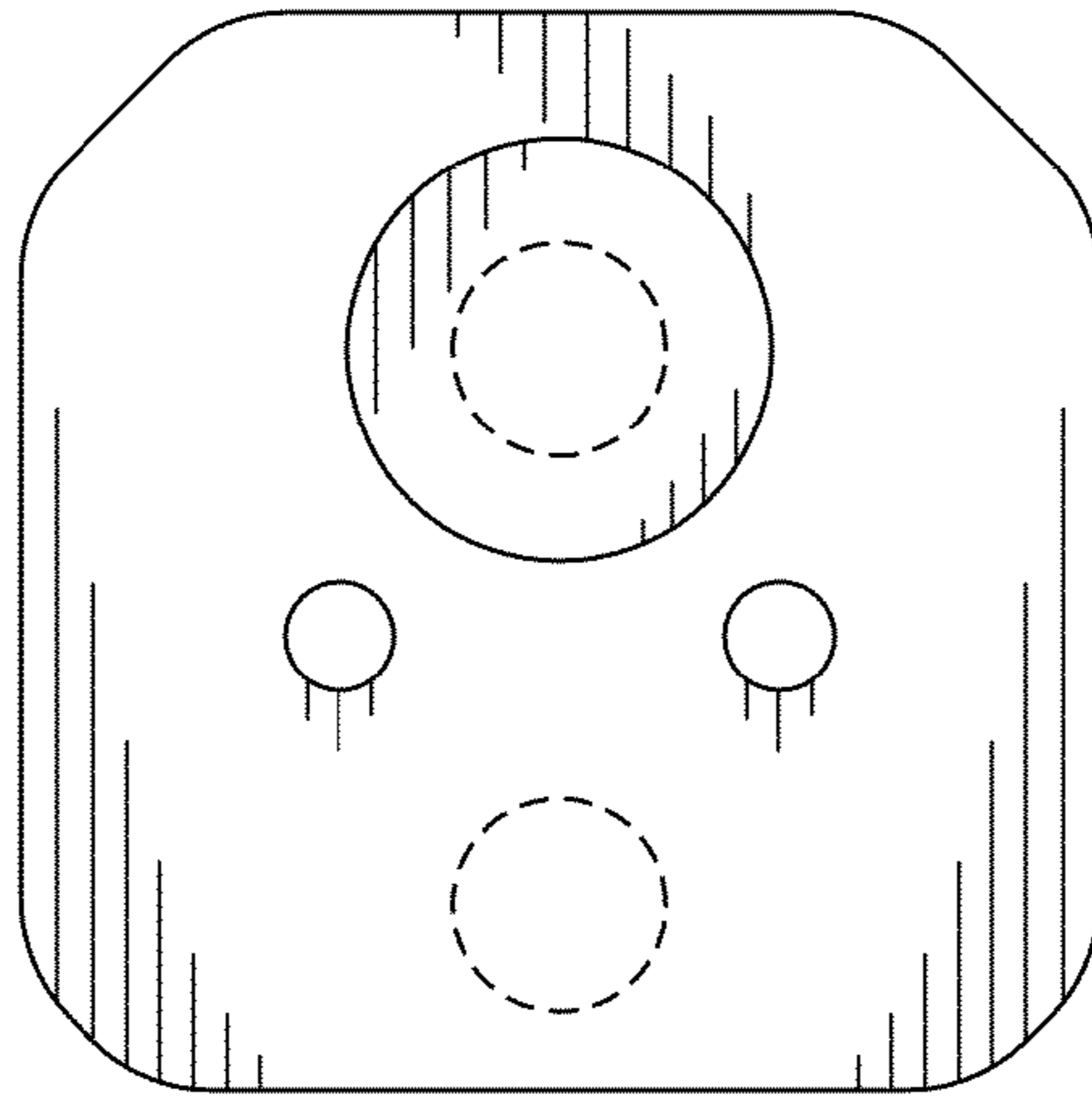


FIG. 2

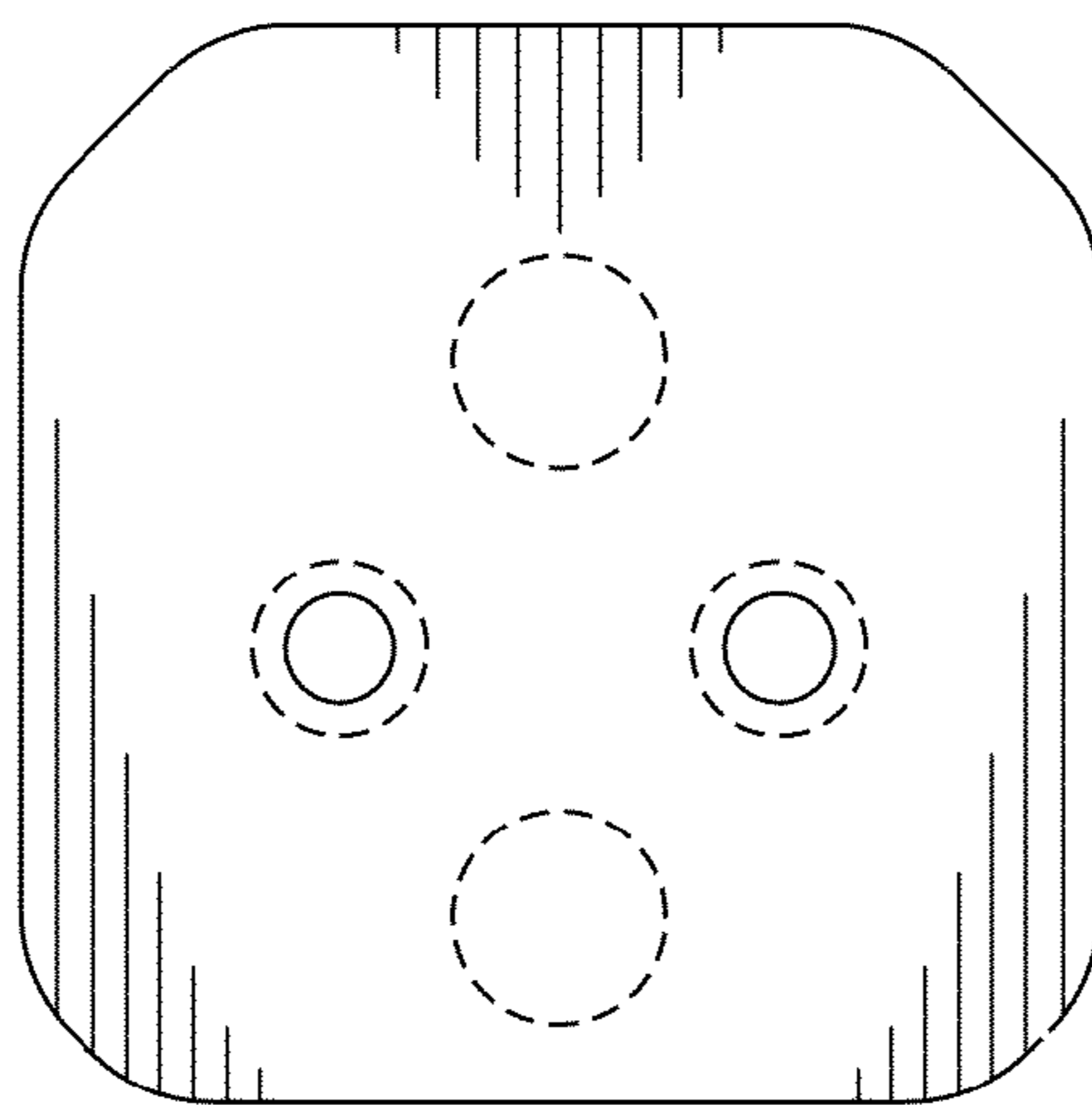


FIG. 3

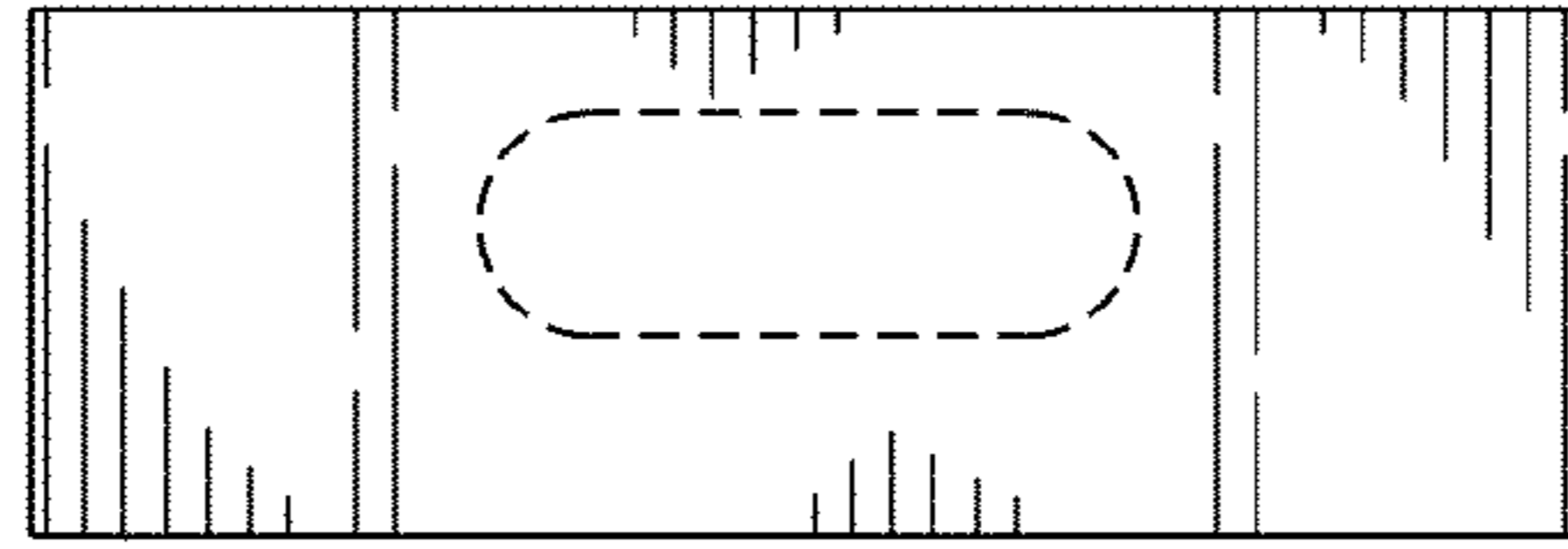


FIG. 4

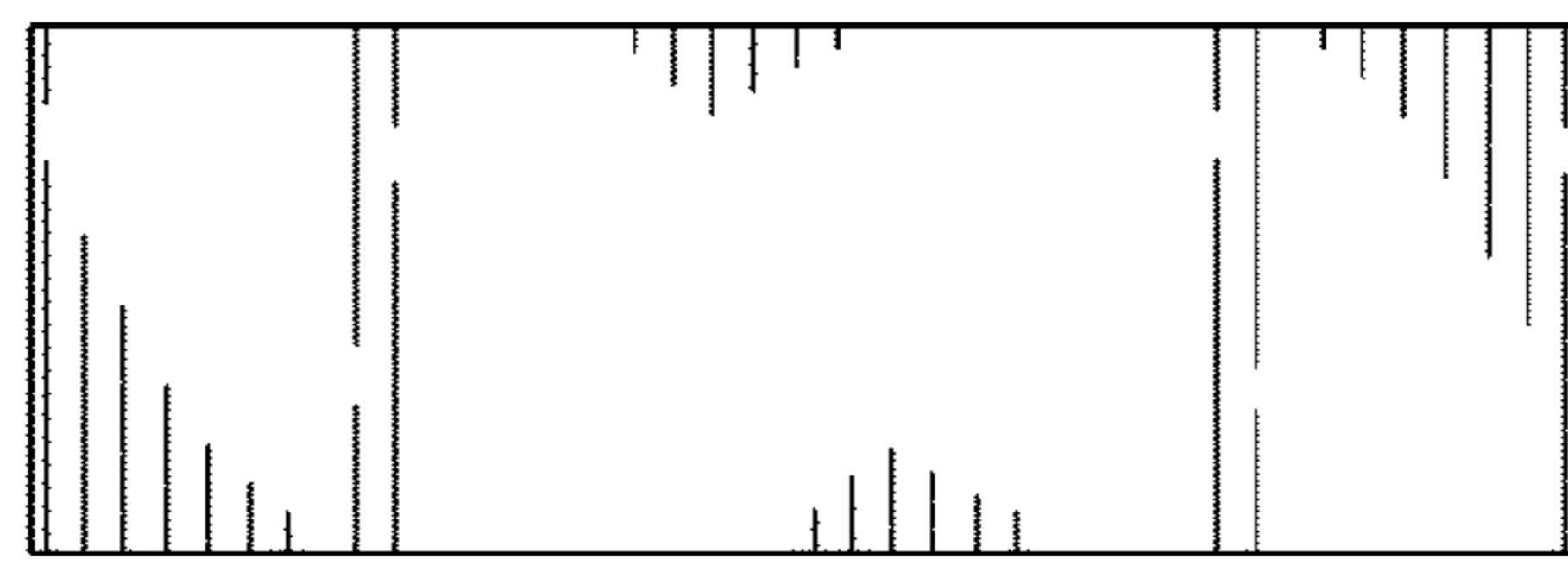


FIG. 5

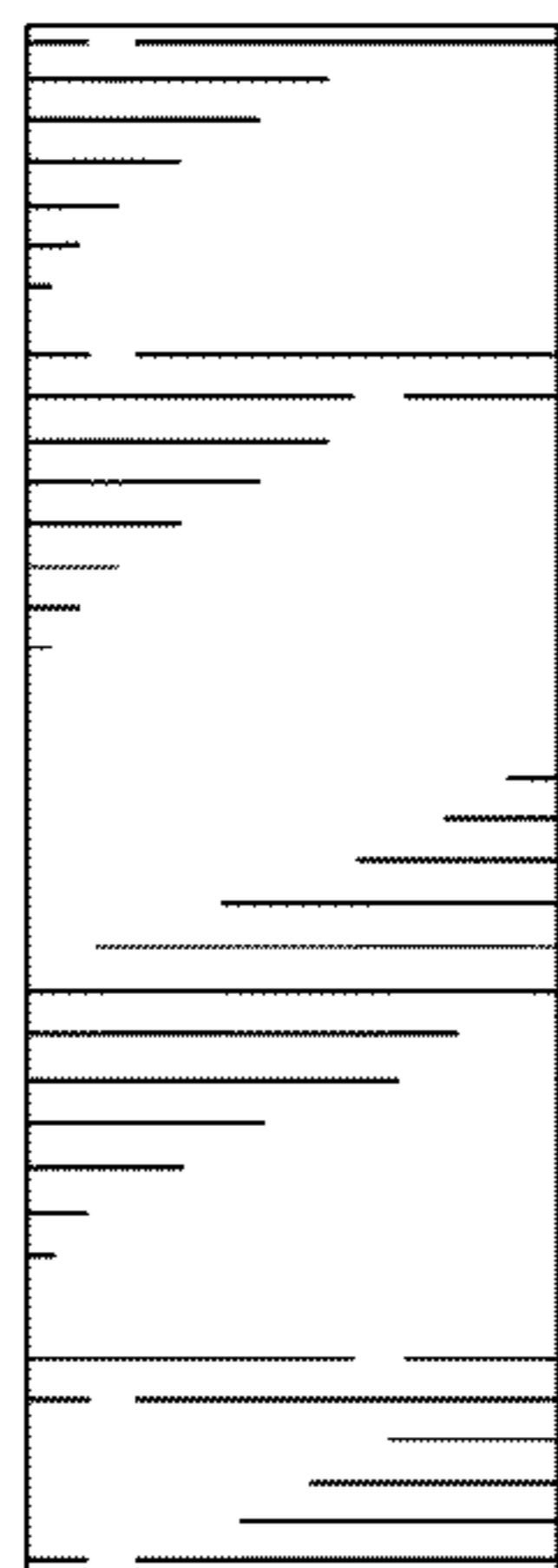


FIG. 6

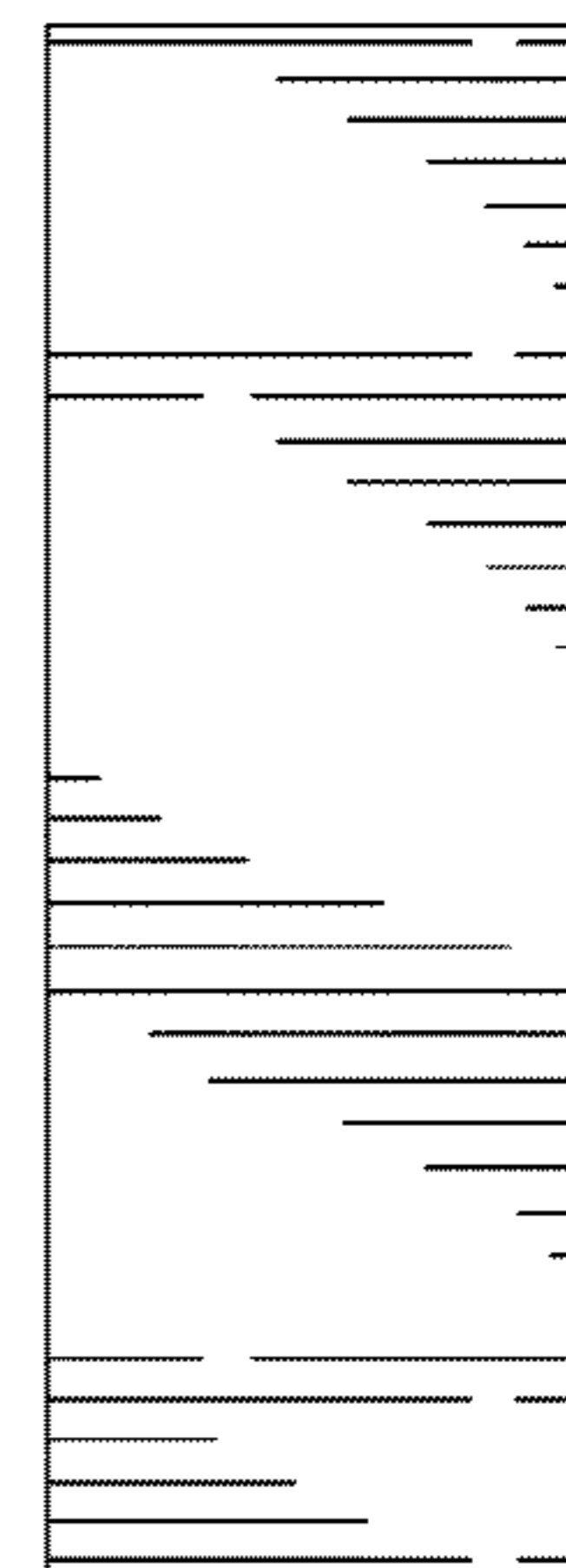


FIG. 7

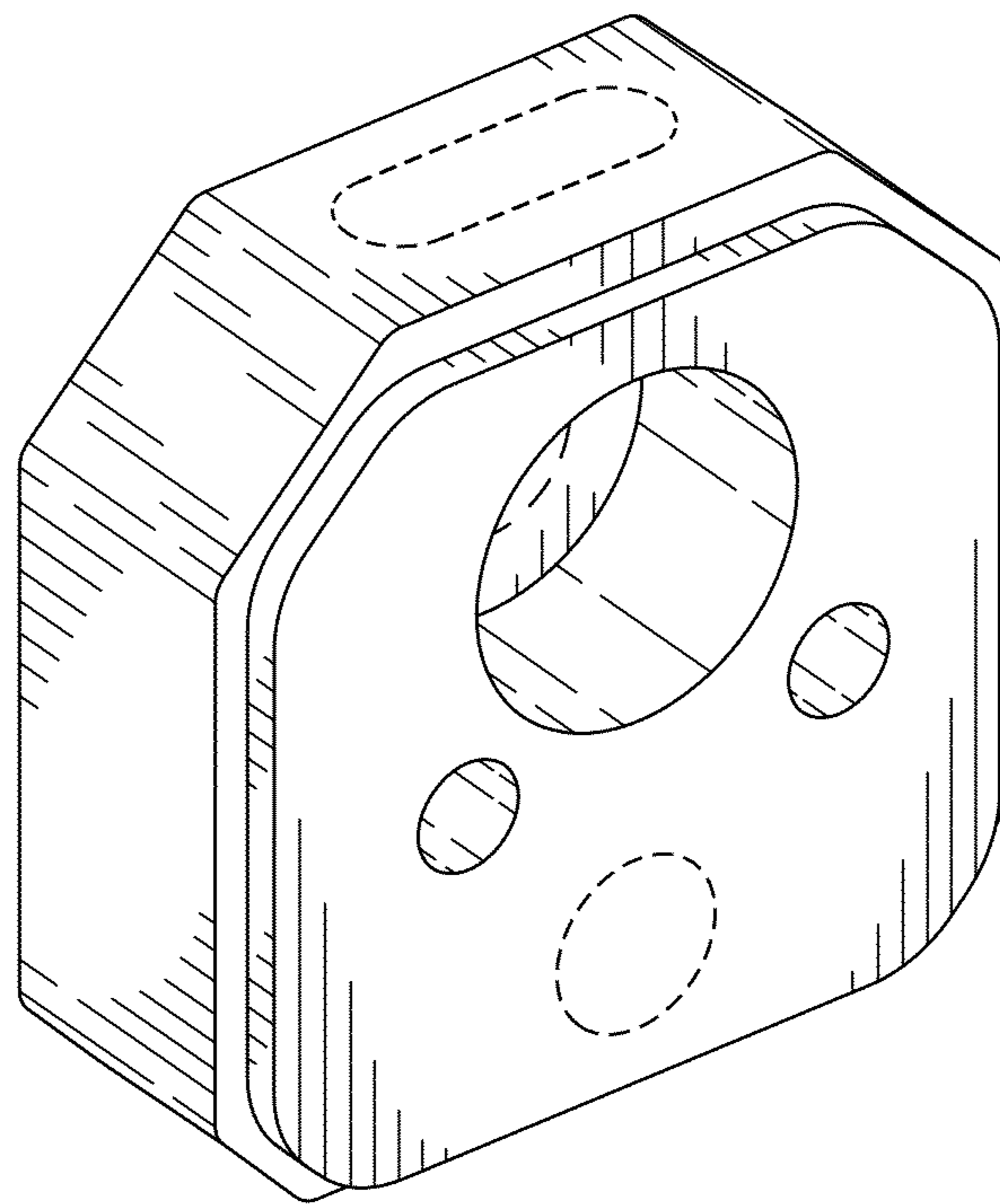


FIG. 8

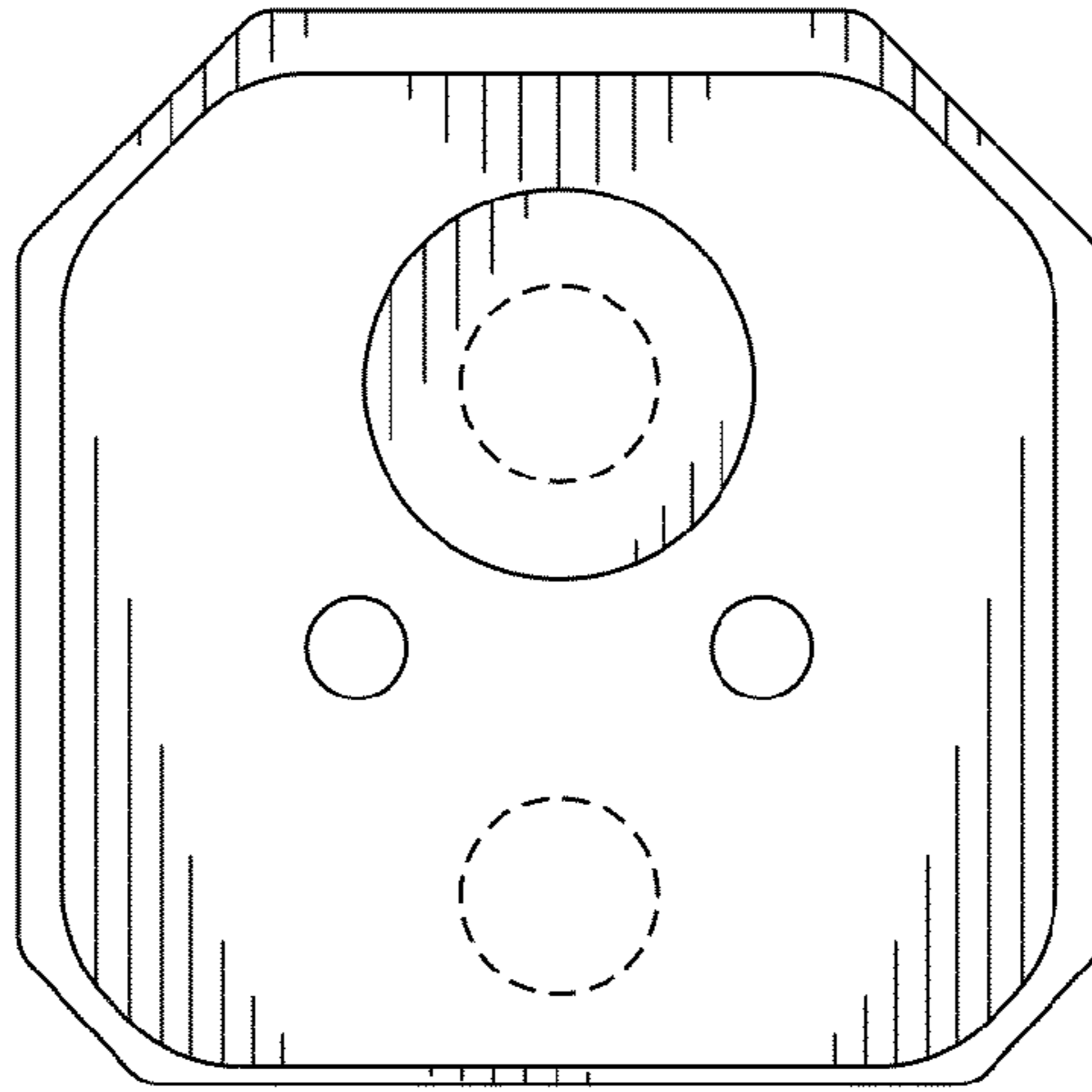


FIG. 9

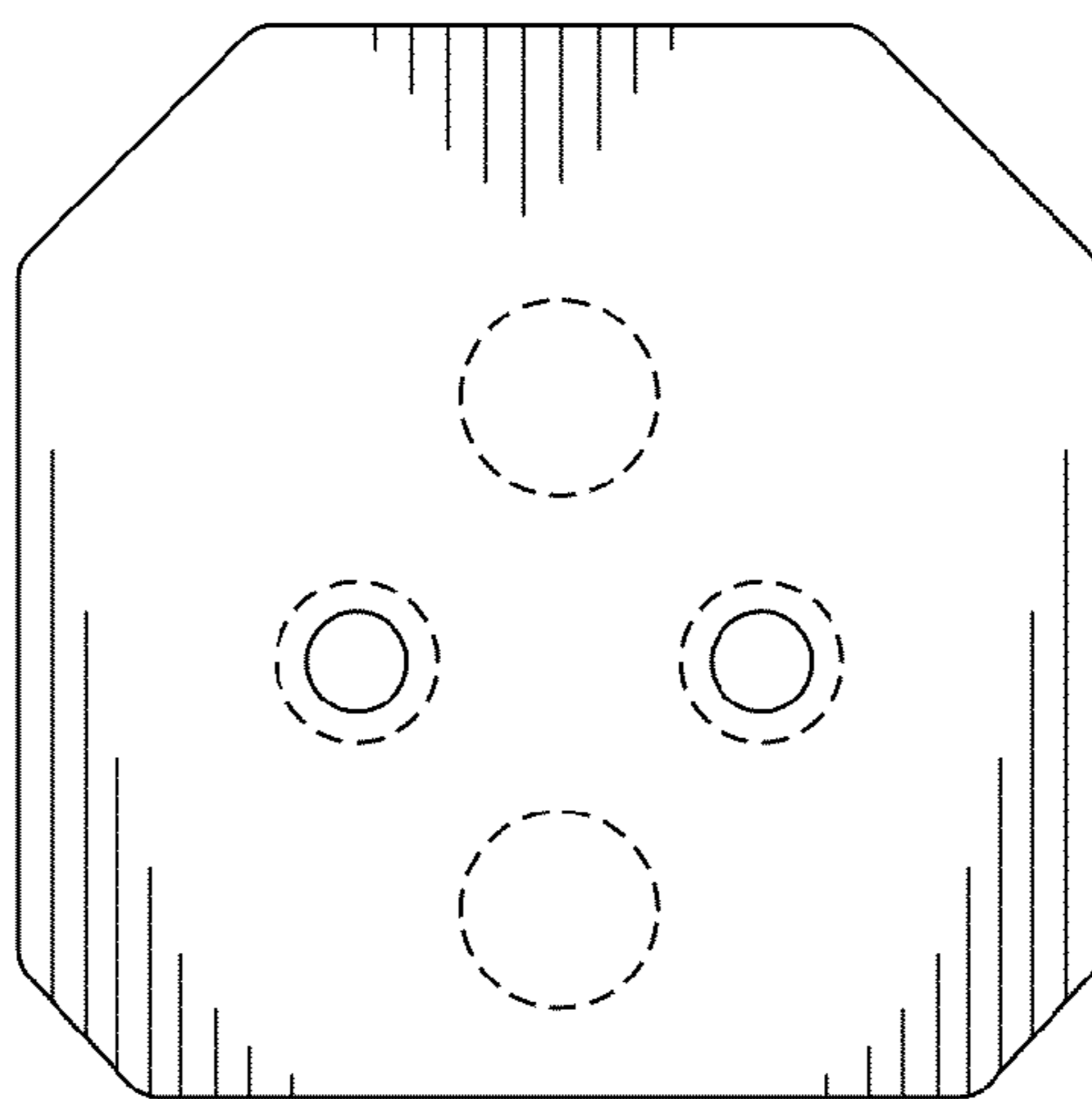


FIG. 10

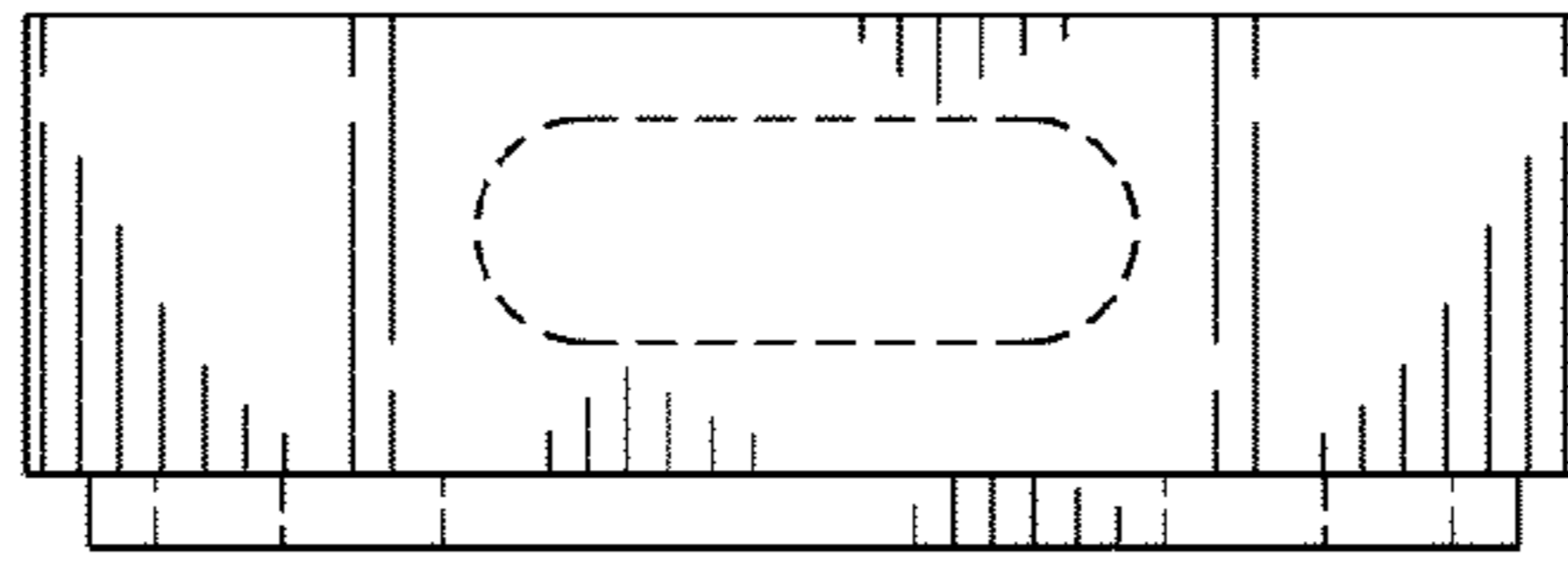


FIG. 11

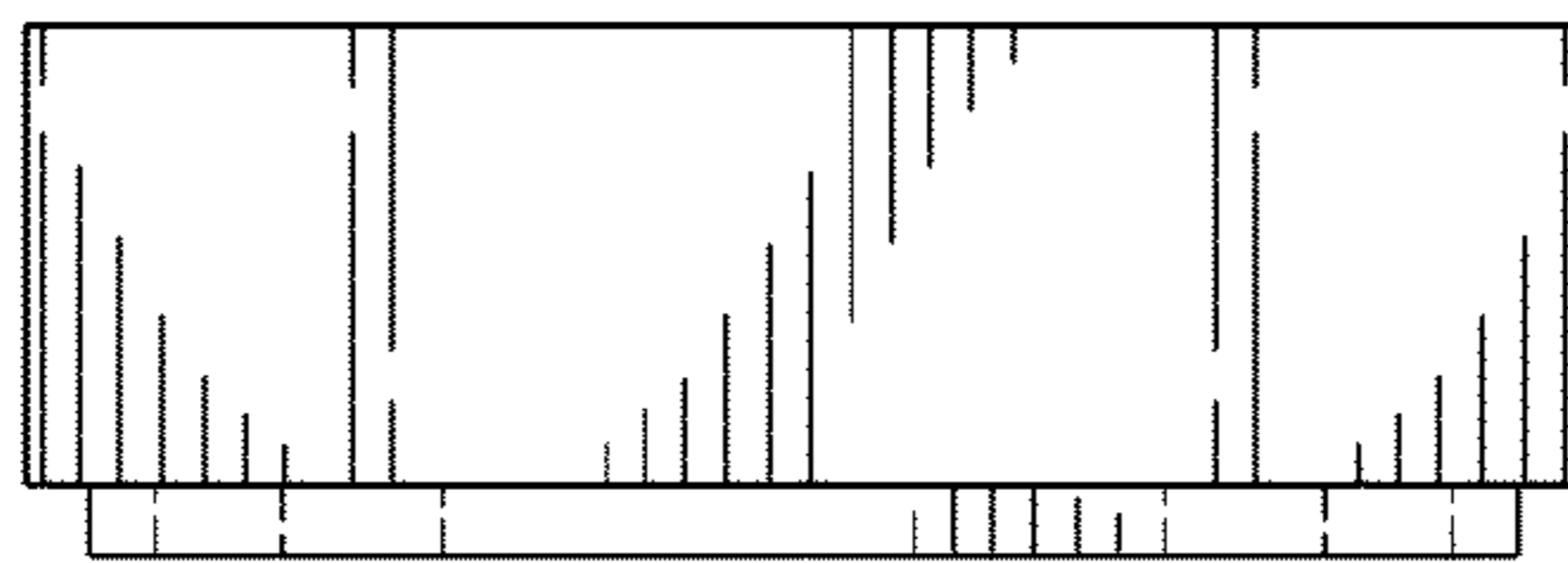


FIG. 12

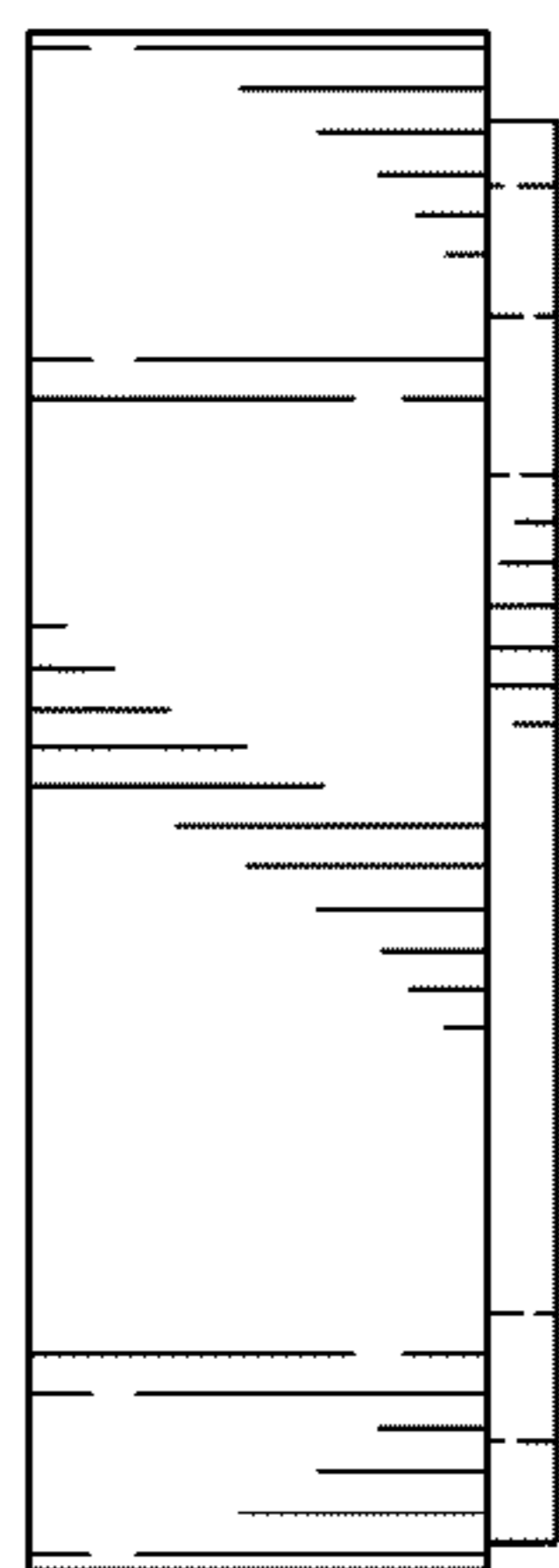


FIG. 13

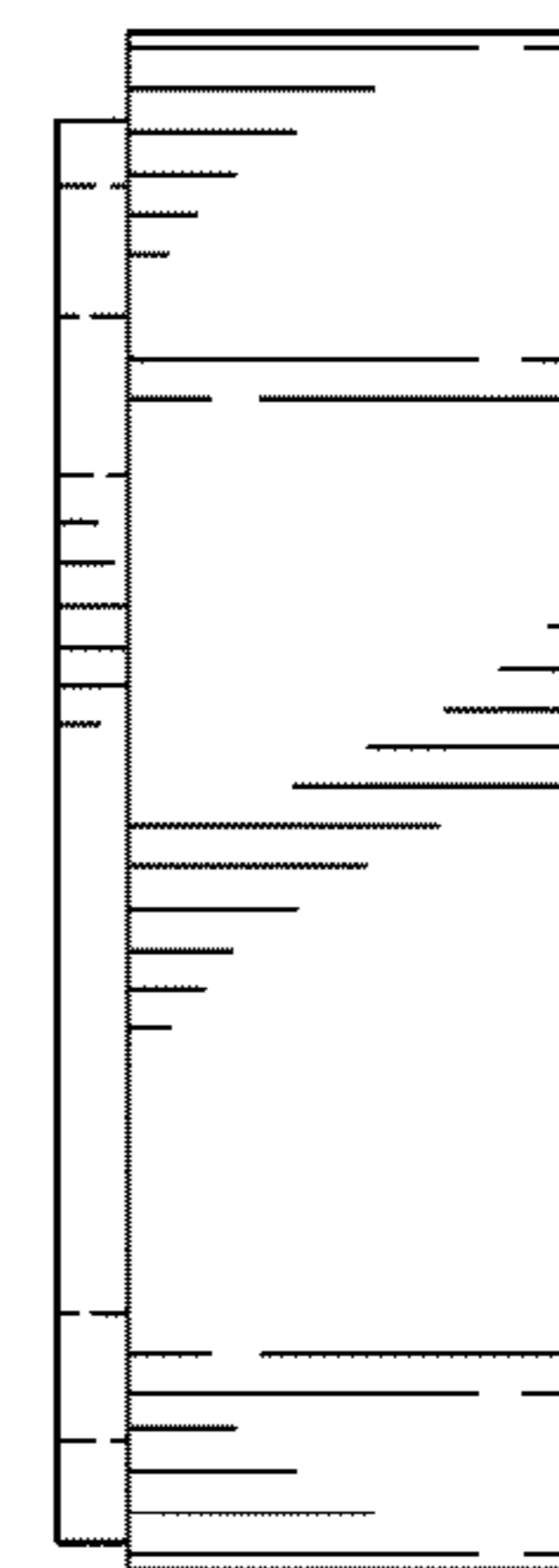


FIG. 14