



US00D737394S

(12) **United States Design Patent**
Cruz

(10) **Patent No.:** **US D737,394 S**

(45) **Date of Patent:** **** Aug. 25, 2015**

(54) **MULTIPURPOSE GOLF TOOL WITH
RETRACTABLE BRUSH AND GROOVE
CLEANER**

DESCRIPTION

(71) Applicant: **Jose J. Cruz**, Oviedo, FL (US)

(72) Inventor: **Jose J. Cruz**, Oviedo, FL (US)

(**) Term: **14 Years**

(21) Appl. No.: **29/497,621**

(22) Filed: **Jul. 25, 2014**

(51) **LOC (10) Cl.** **21-02**

(52) **U.S. Cl.**
USPC **D21/793**

(58) **Field of Classification Search**
USPC D21/789, 793, 794
CPC A63B 57/0068; A63B 57/0075; A63B
57/0087

See application file for complete search history.

(56) **References Cited**

U.S. PATENT DOCUMENTS

3,360,807	A *	1/1968	Mauck	7/158
3,539,017	A *	11/1970	Johnson	172/378
D238,436	S *	1/1976	McKelvey	D21/793
D285,233	S *	8/1986	Owen	D21/793
D306,057	S *	2/1990	Vaughan, Jr.	D21/793
5,022,650	A	6/1991	Madock	
5,054,777	A	10/1991	Borden et al.	
D347,255	S	5/1994	Kerr et al.	
D347,872	S	6/1994	Lyman	
5,388,824	A *	2/1995	Reimers	473/406

(Continued)

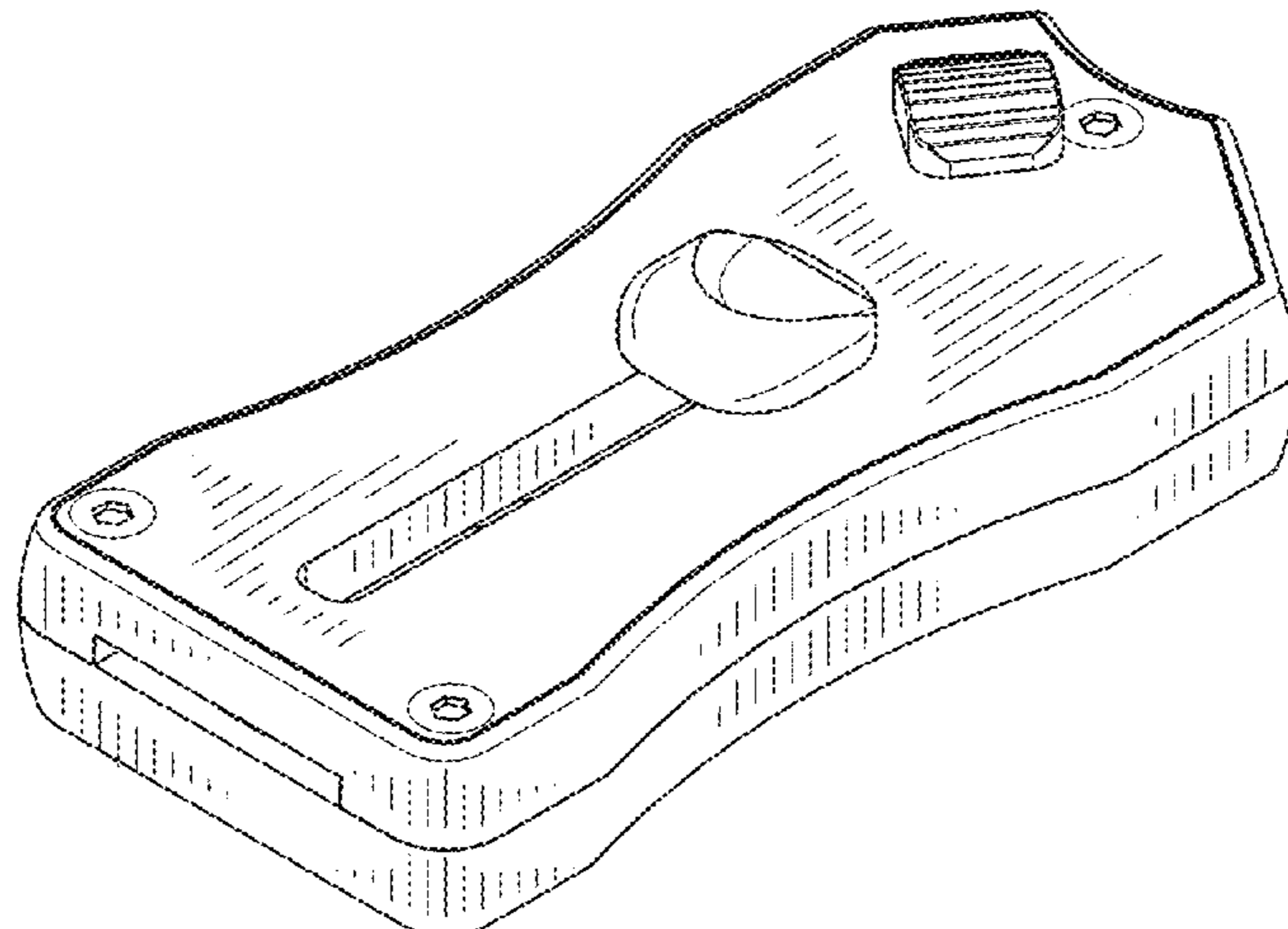
Primary Examiner — Mitchell Siegel

(57) **CLAIM**

The ornamental design for a multipurpose golf tool with retractable brush and groove cleaner, as shown and described.

FIG. 1 is a perspective front view of a multipurpose golf tool with retractable brush and groove cleaner in a closed position; FIG. 2 is a front elevation view of the multipurpose golf tool with retractable brush and groove cleaner in a closed position; FIG. 3 is a rear elevation view of the multipurpose golf tool with retractable brush and groove cleaner in a closed position; FIG. 4 is a left side elevation view of the multipurpose golf tool with retractable brush and groove cleaner in a closed position; FIG. 5 is a right side elevation view of the multipurpose golf tool with retractable brush and groove cleaner in a closed position; FIG. 6 is a top elevation view of the multipurpose golf tool with retractable brush and groove cleaner in a closed position; FIG. 7 is a bottom elevation view of the multipurpose golf tool with retractable brush and groove cleaner in a closed position; FIG. 8 is a perspective front view of a multipurpose golf tool with retractable brush and groove cleaner in an open position; FIG. 9 is a front elevation view of the multipurpose golf tool with retractable brush and groove cleaner in an open position; FIG. 10 is a rear elevation view of the multipurpose golf tool with retractable brush and groove cleaner in an open position; FIG. 11 is a left side elevation view of the multipurpose golf tool with retractable brush and groove cleaner in an open position; FIG. 12 is a right side elevation view of the multipurpose golf tool with retractable brush and groove cleaner in an open position; FIG. 13 is a top elevation view of the multipurpose golf tool with retractable brush and groove cleaner in an open position; and, FIG. 14 is a bottom elevation view of the multipurpose golf tool with retractable brush and groove cleaner in an open position.

1 Claim, 5 Drawing Sheets



(56)

References Cited

U.S. PATENT DOCUMENTS

5,449,169	A *	9/1995	Hardin et al.	473/408	6,837,807	B1 *	1/2005	Kerr	473/408
D369,637	S *	5/1996	Digerness et al.	D21/793	D516,153	S *	2/2006	Cheng et al.	D21/795
5,562,553	A	10/1996	Digerness et al.		7,238,125	B2 *	7/2007	Dymling	473/408
D425,163	S *	5/2000	Cauffman et al.	D21/793	D570,946	S *	6/2008	Oas	D21/793
6,413,174	B1 *	7/2002	Roberts	473/408	7,686,710	B2 *	3/2010	Leiber et al.	473/408
6,428,430	B1 *	8/2002	Chong	473/408	7,942,756	B1	5/2011	Neu	
6,620,062	B2	9/2003	Taylor et al.		8,342,986	B2 *	1/2013	Rourke	473/408
D500,828	S *	1/2005	Pace	D21/793	D683,413	S *	5/2013	Revert	D21/793
					8,616,994	B2	12/2013	Kwon et al.	
					D700,263	S	2/2014	Zwart	
					2010/0032330	A1	2/2010	O'Rourke	

* cited by examiner

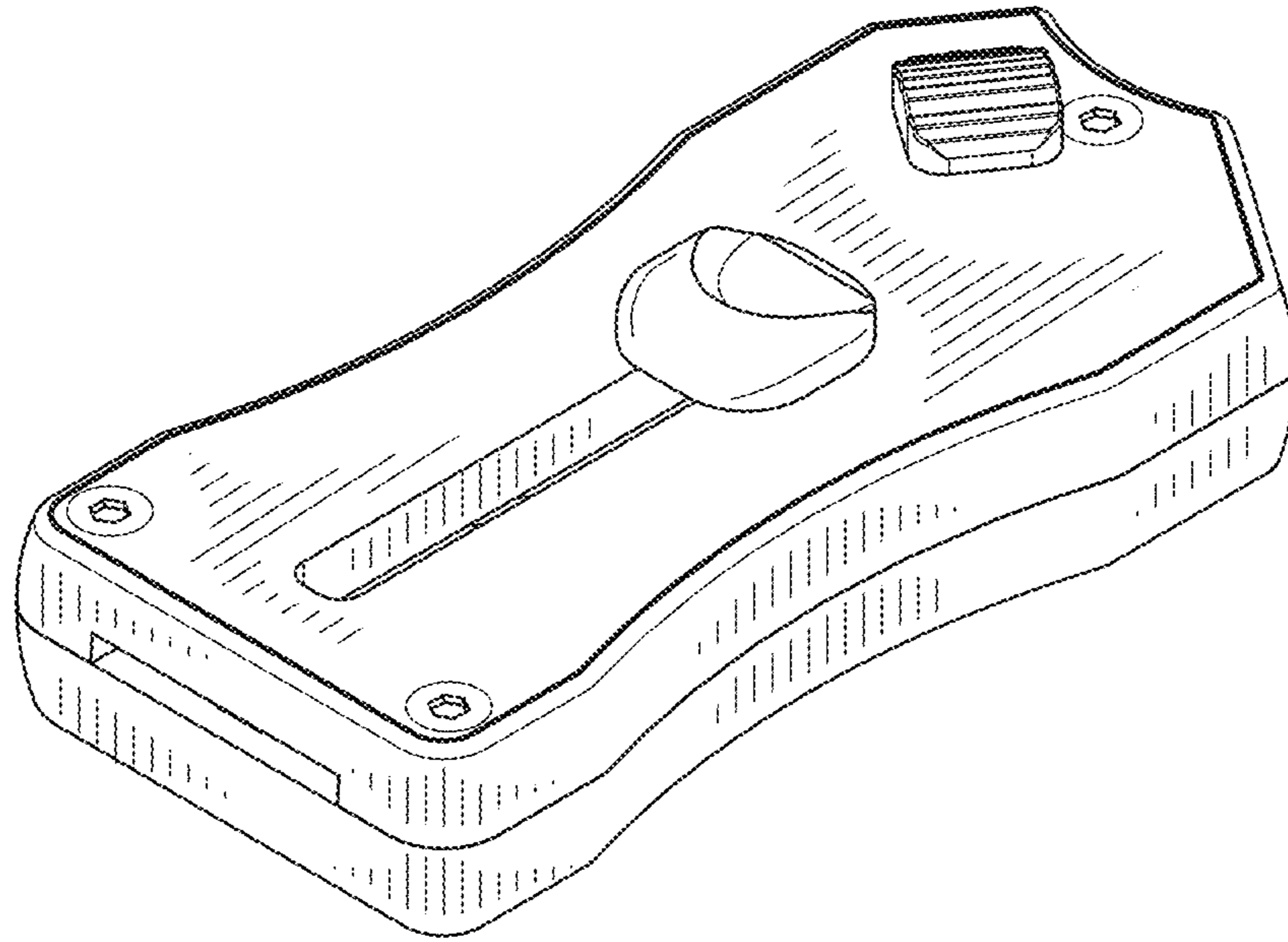


FIG. 1

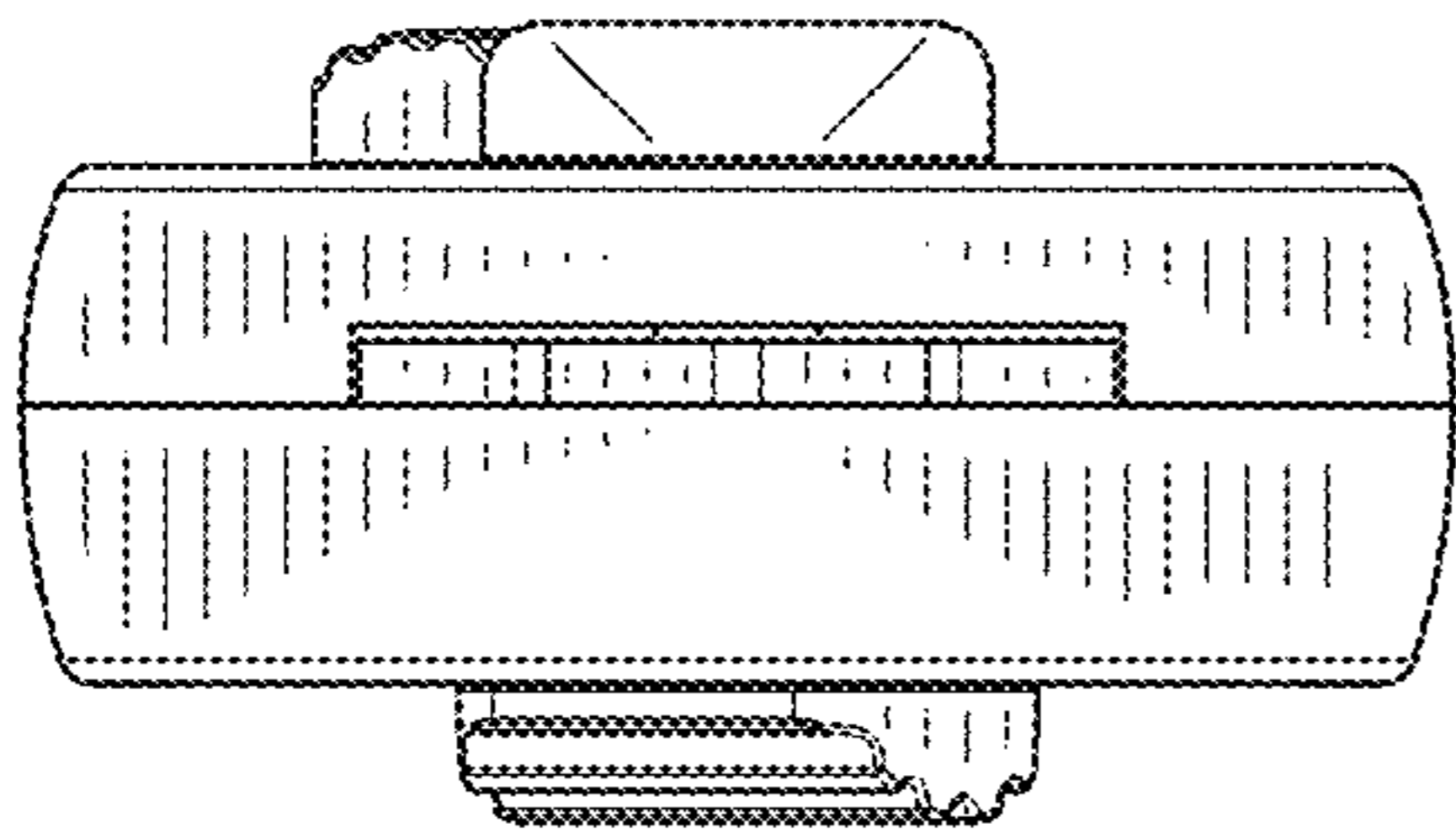


FIG. 2

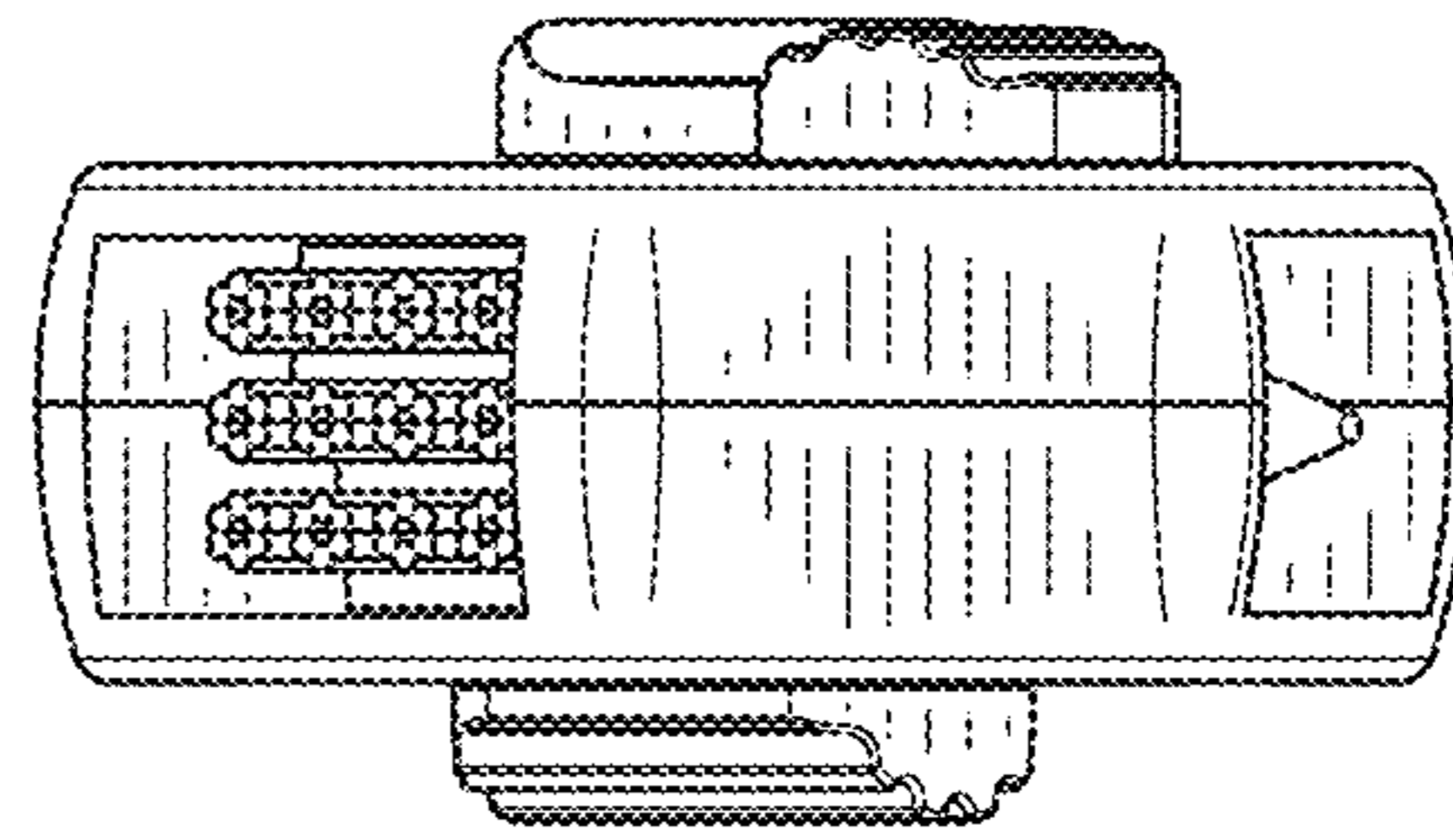


FIG. 3

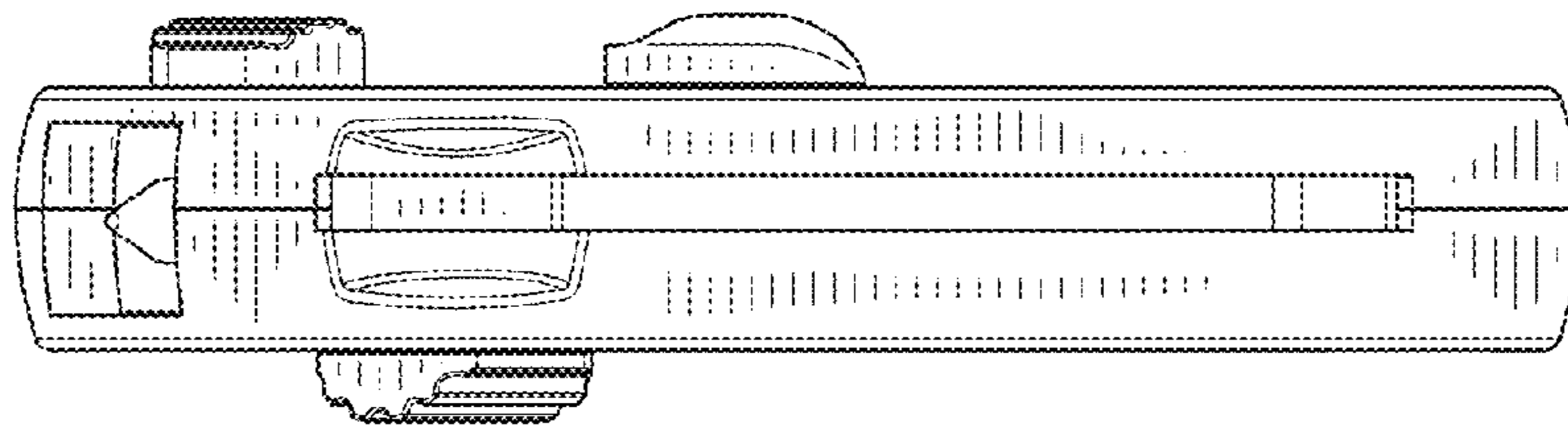


FIG. 4

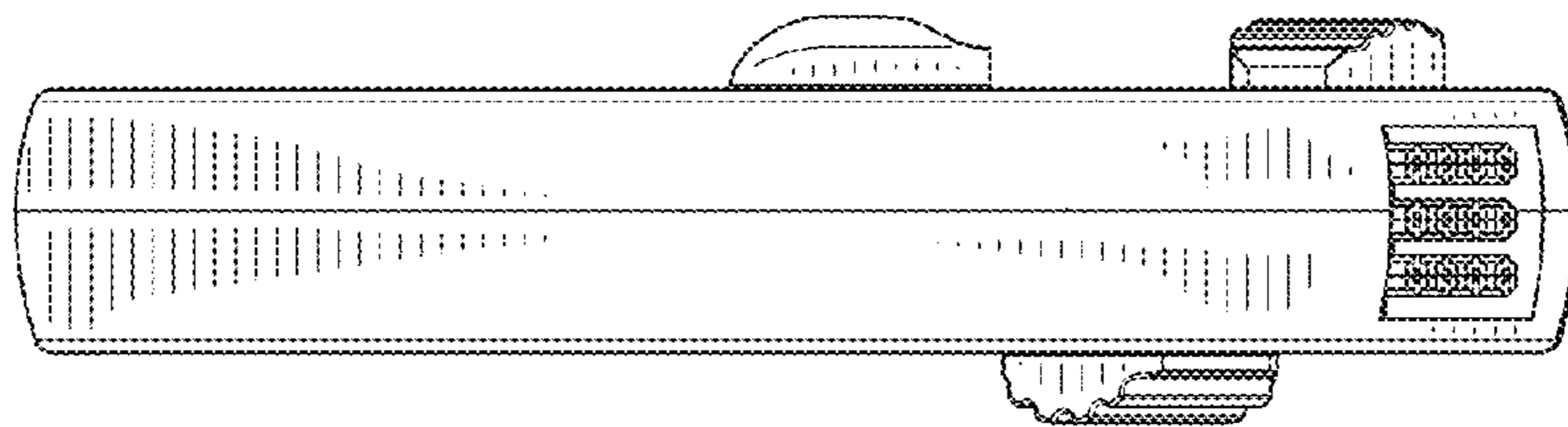


FIG. 5

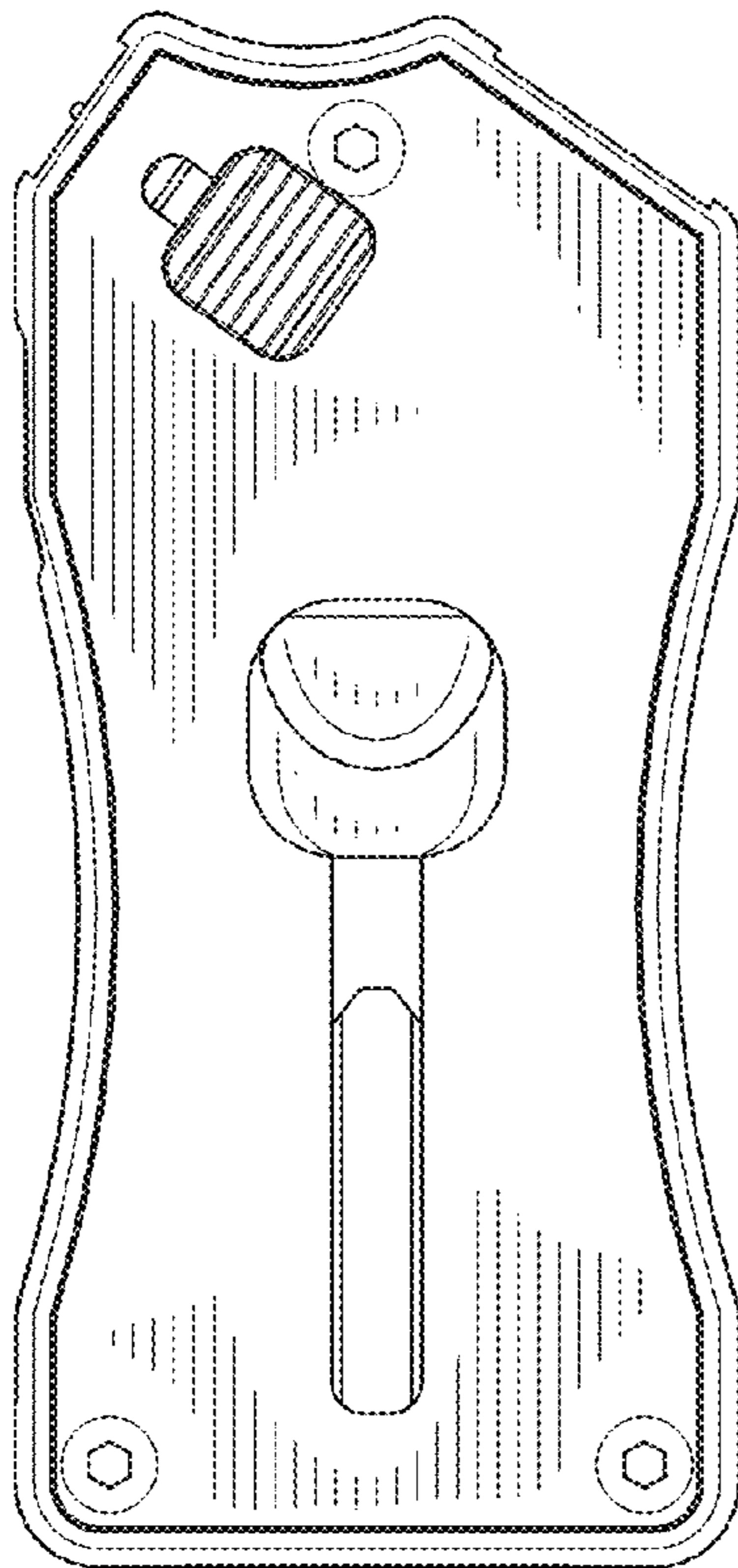


FIG. 6

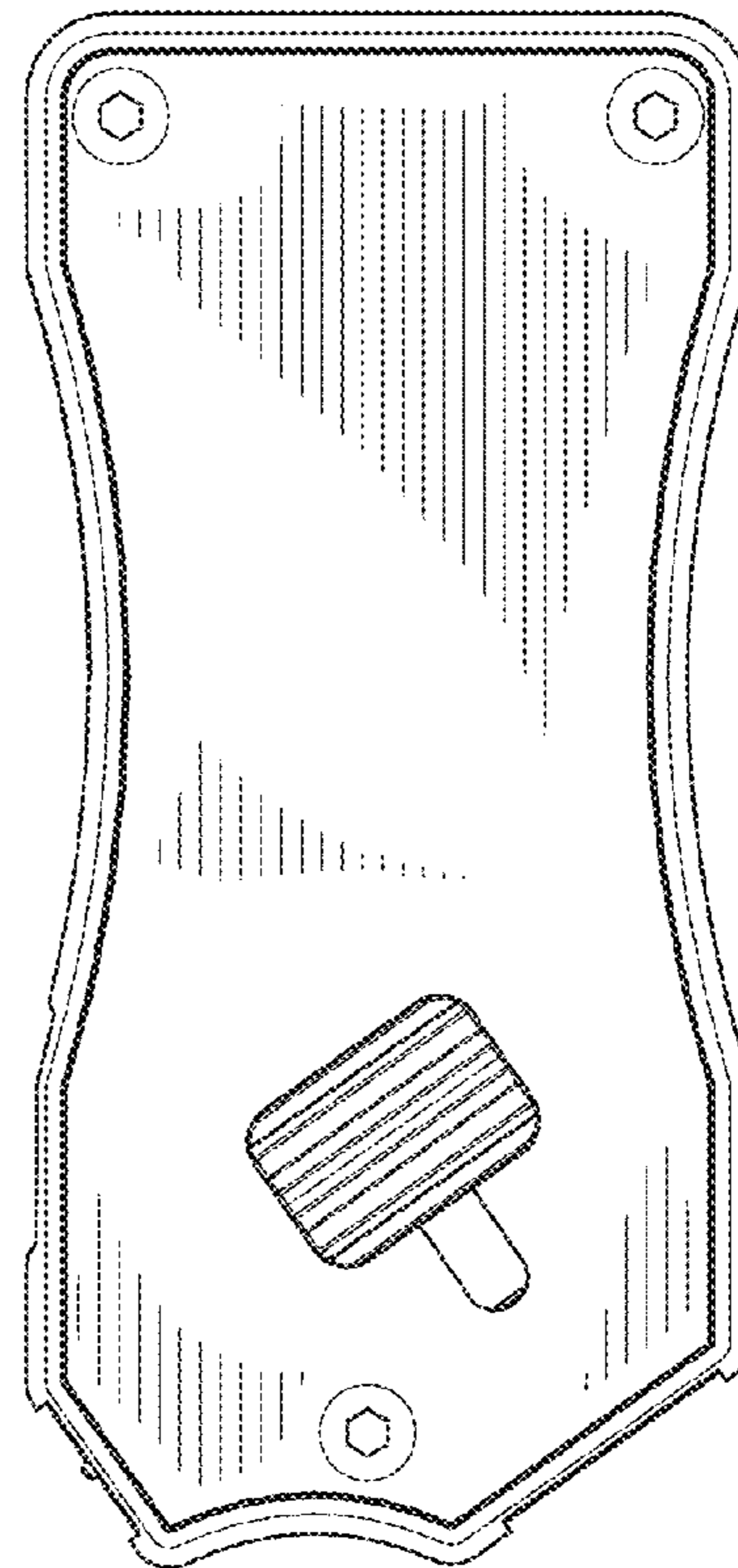


FIG. 7

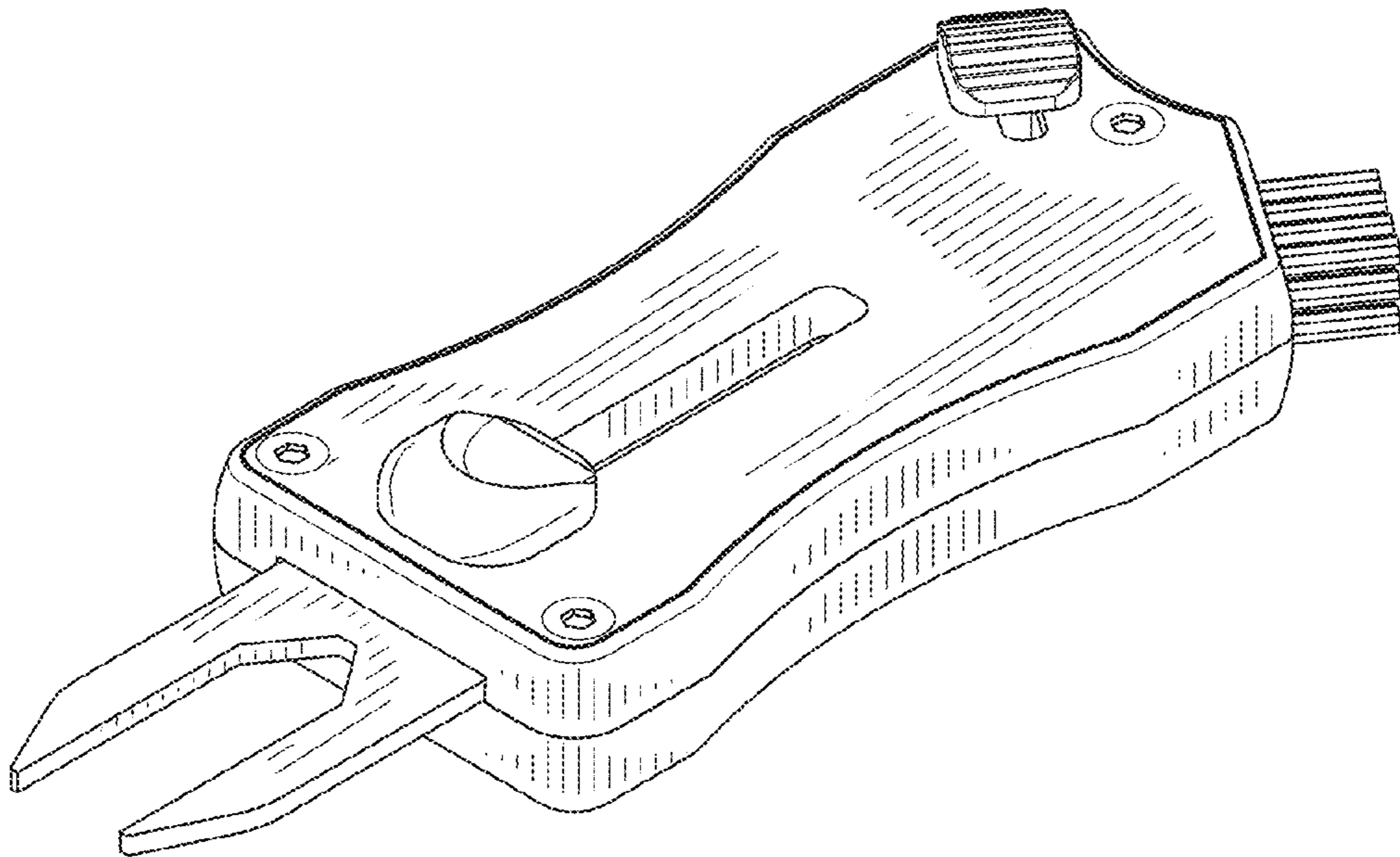


FIG. 8

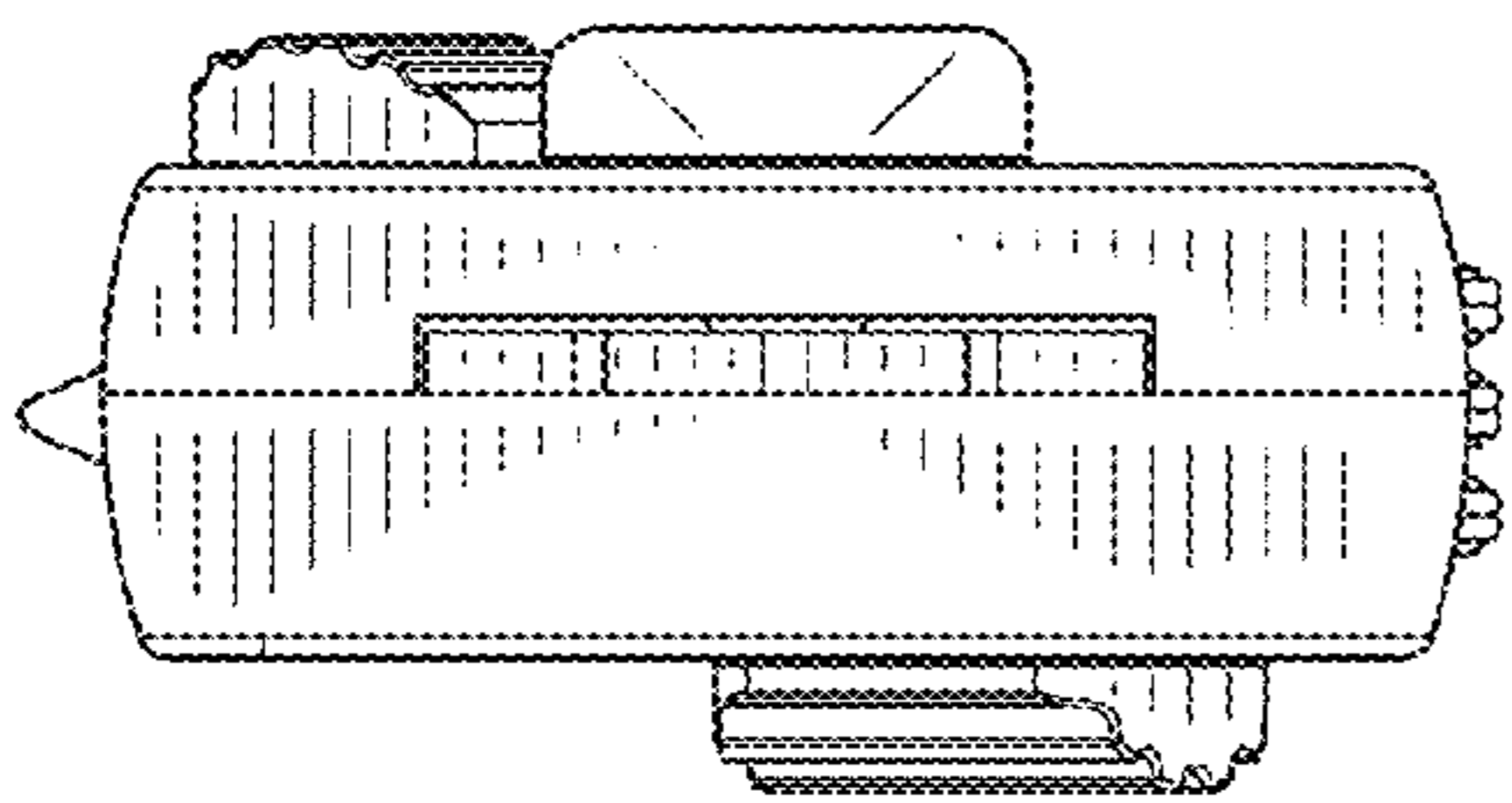


FIG. 9

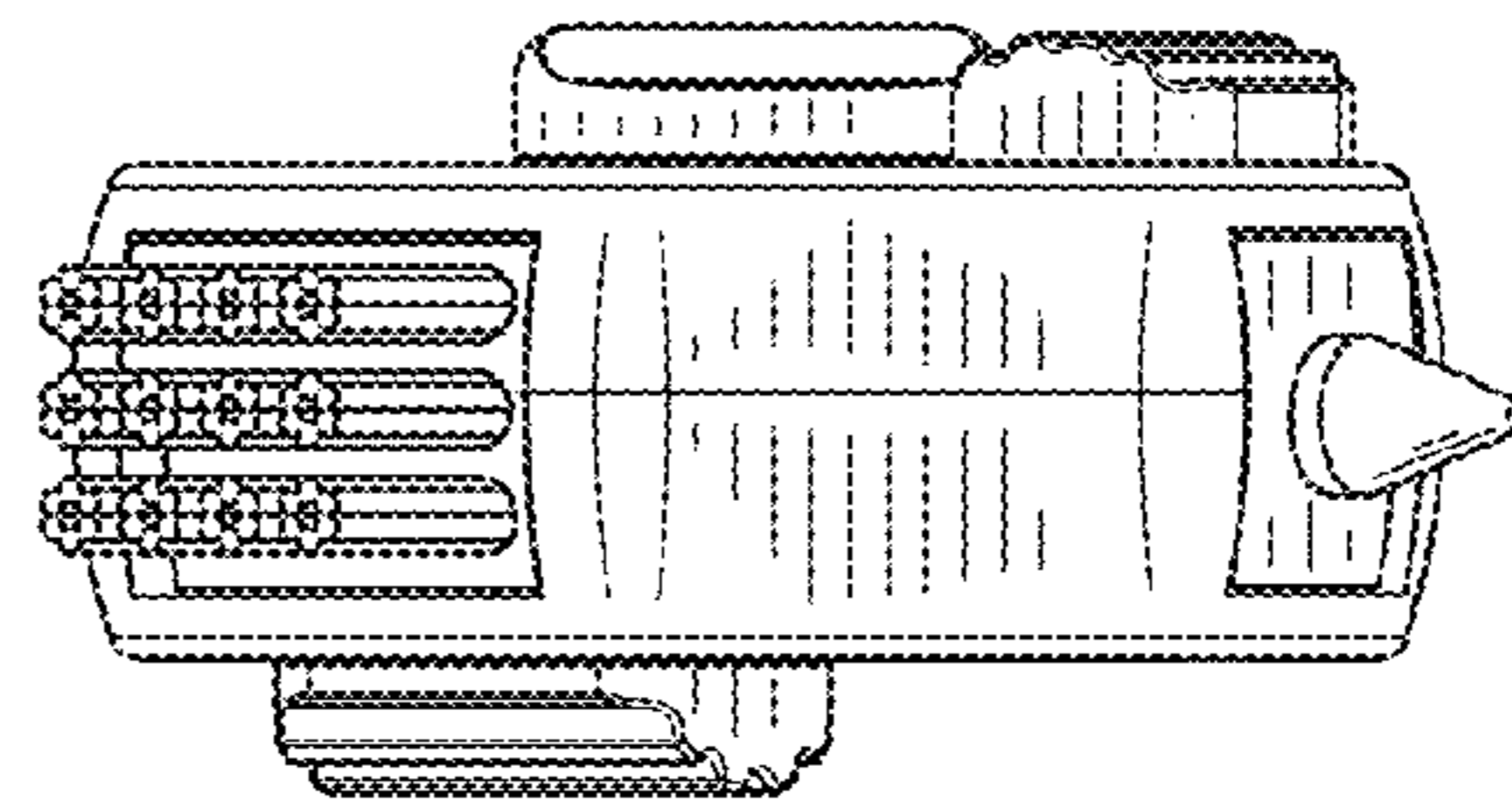


FIG. 10

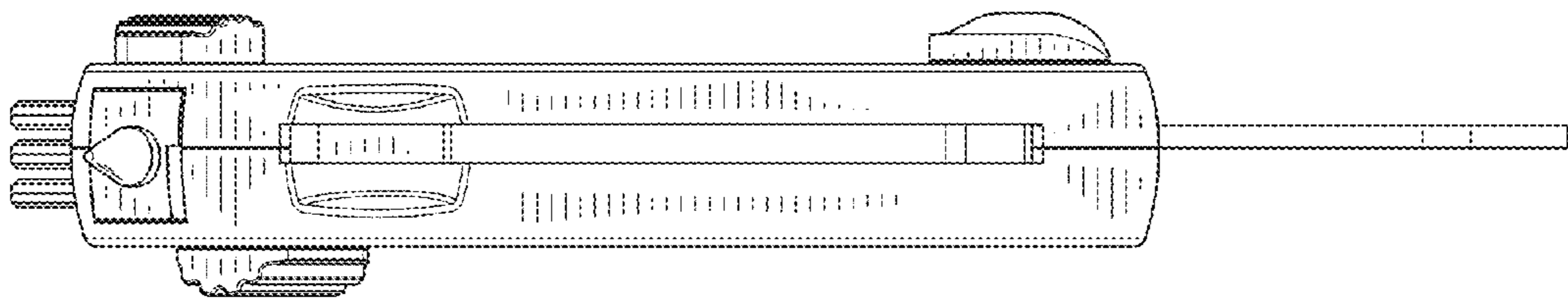


FIG. 11

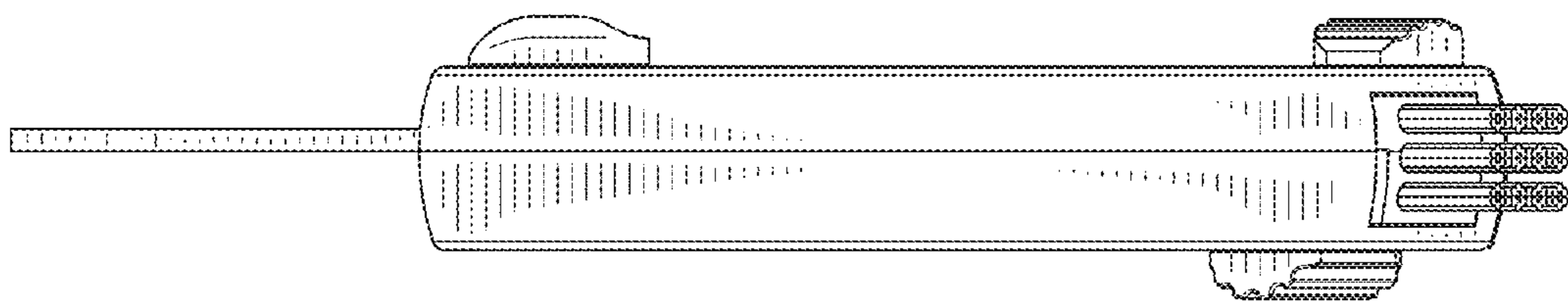


FIG. 12

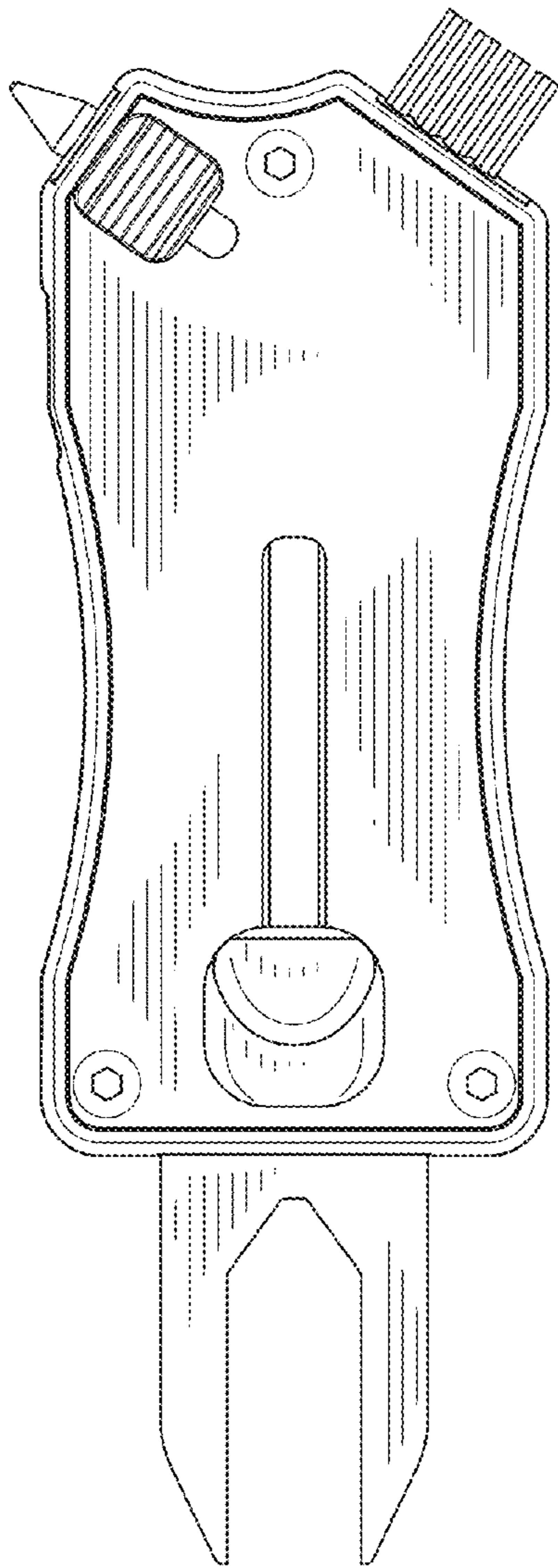


FIG. 13

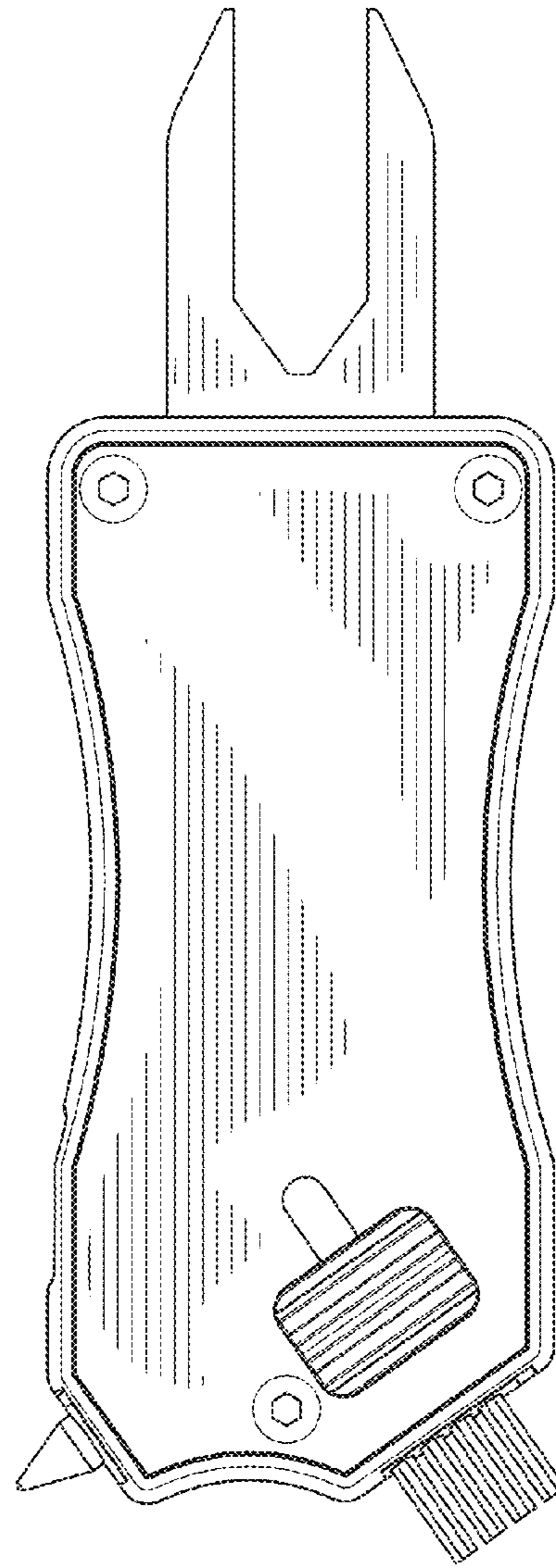


FIG. 14