

US00D737393S

(12) **United States Design Patent**
Masucci

(10) **Patent No.:** **US D737,393 S**

(45) **Date of Patent:** **** Aug. 25, 2015**

(54) **PUTTING MARKER**

(71) Applicant: **G. Thomas Masucci**, Pleasanton, CA
(US)

(72) Inventor: **G. Thomas Masucci**, Pleasanton, CA
(US)

(**) Term: **14 Years**

(21) Appl. No.: **29/499,171**

(22) Filed: **Aug. 12, 2014**

(51) **LOC (10) Cl.** **21-02**

(52) **U.S. Cl.**
USPC **D21/791**

(58) **Field of Classification Search**
USPC D21/789, 791
CPC A63B 69/3676; A63B 2069/3679;
A63B 2069/3682

See application file for complete search history.

(56) **References Cited**

U.S. PATENT DOCUMENTS

1,545,648	A *	7/1925	Fletcher	473/218
2,303,736	A *	12/1942	Hall	473/258
3,895,797	A	7/1975	Moore		
4,530,500	A	7/1985	Kaymen		
4,921,254	A *	5/1990	Buckley et al.	473/218
5,071,129	A	12/1991	Wilson		
D325,419	S *	4/1992	Mulloy	D21/791
D332,817	S *	1/1993	Mullen	D21/791

D336,618	S *	6/1993	Smith	D21/790
5,993,326	A *	11/1999	Hitchman et al.	473/257
6,129,639	A *	10/2000	Brock et al.	473/260
D514,645	S *	2/2006	Edwards et al.	D21/791
D606,613	S *	12/2009	Prestwich	D21/791
D641,061	S *	7/2011	Finau	D21/791
8,016,698	B2	9/2011	Cameron		
D646,739	S *	10/2011	Forest	D21/791
8,382,614	B1	2/2013	Menk		
8,616,992	B2	12/2013	Kim		
2010/0222160	A1	9/2010	Williams		
2013/0178311	A1	7/2013	Peterson		
2013/0303298	A1 *	11/2013	Riedl	473/257

FOREIGN PATENT DOCUMENTS

WO 0018478 A1 4/2000

* cited by examiner

Primary Examiner — Mitchell Siegel

(74) *Attorney, Agent, or Firm* — Robert C. Montgomery;
Montgomery Patent & Design LP.

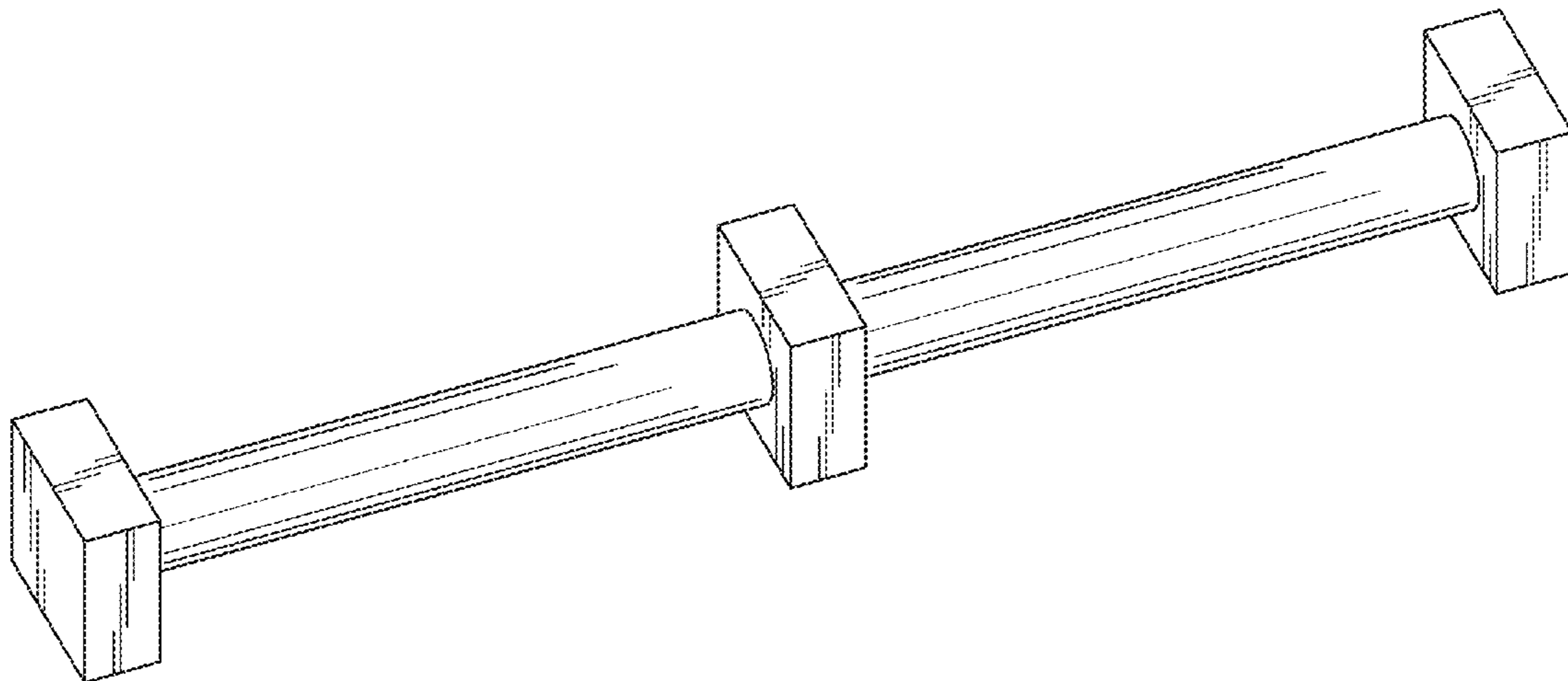
(57) **CLAIM**

The ornamental design for a putting marker, as shown and described.

DESCRIPTION

FIG. 1 is a perspective view of a putting marker;
FIG. 2 is a front view thereof, wherein a rear view, a top view,
and a bottom view are mirror images of the front view; and,
FIG. 3 is a left-hand side view thereof, wherein a right-hand
side view is a mirror image of the left-hand side view.

1 Claim, 3 Drawing Sheets



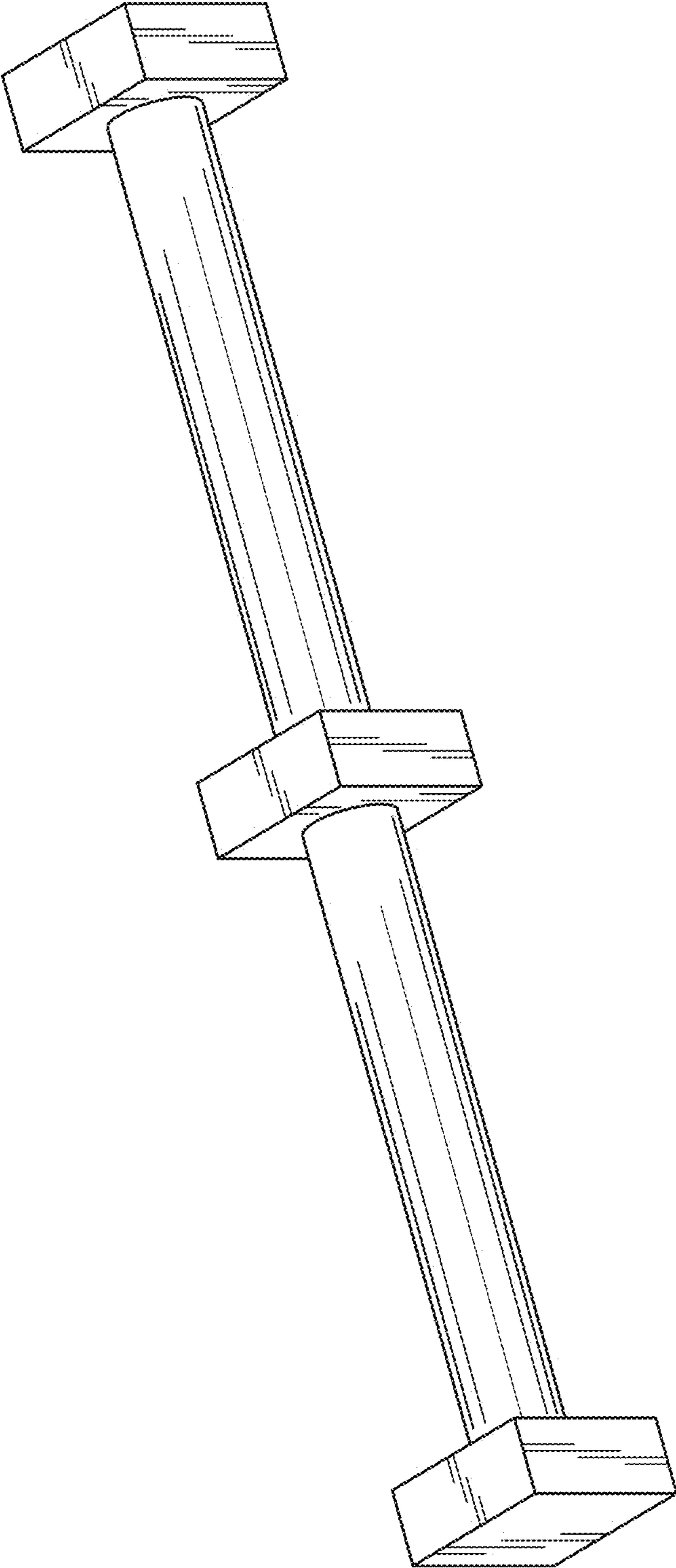


Fig. 1

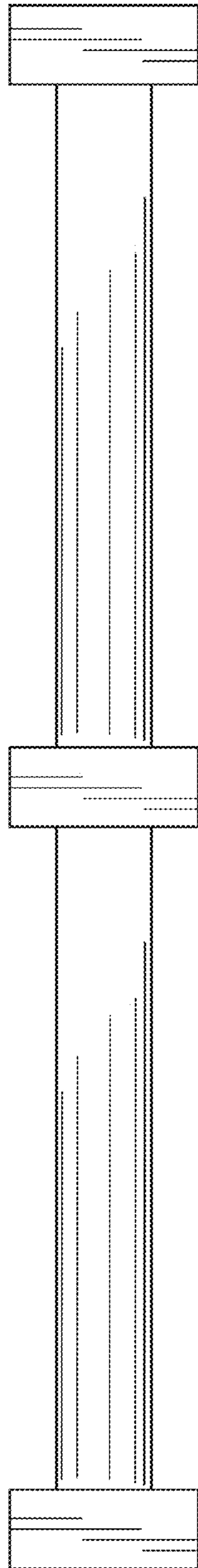


Fig. 2

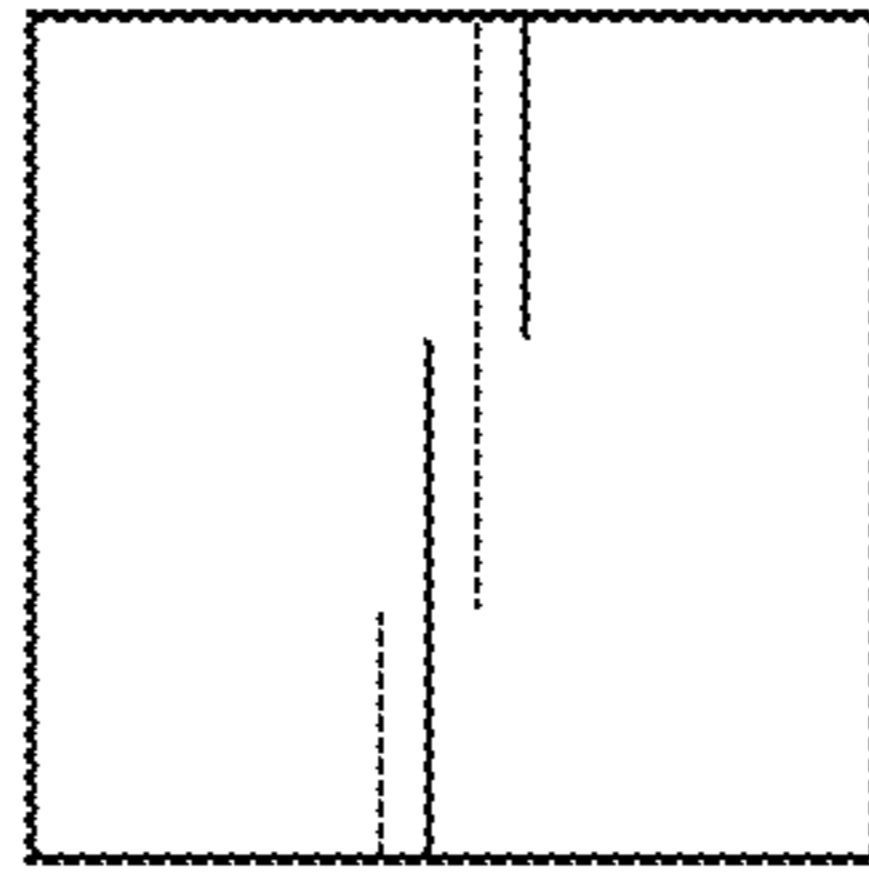


Fig. 3