

US00D737389S

(12) **United States Design Patent**
Wieland et al.

(10) **Patent No.:** **US D737,389 S**
(45) **Date of Patent:** **** Aug. 25, 2015**

(54) **GOLF CLUB HEAD**

(56)

References Cited

(71) Applicant: **CALLAWAY GOLF COMPANY**,
Carlsbad, CA (US)
(72) Inventors: **Chris J. Wieland**, Vista, CA (US);
Matthew S. Hoffmeyer, Carlsbad, CA
(US); **Larry G. Tang**, Carlsbad, CA
(US); **Scott R. Manwaring**, Carlsbad,
CA (US); **Philip G. Foster**, Carlsbad,
CA (US); **Sean P. Griffin**, Encinitas, CA
(US)

U.S. PATENT DOCUMENTS

5,407,202	A	*	4/1995	Igarashi	473/342
D428,633	S	*	7/2000	Hasebe'	D21/748
D432,611	S	*	10/2000	McCabe et al.	D21/759
D546,408	S	*	7/2007	Oldknow	D21/759
D588,667	S	*	3/2009	Oldknow	D21/759
D589,105	S	*	3/2009	Oldknow	D21/759
D589,106	S	*	3/2009	Oldknow	D21/759
D589,107	S	*	3/2009	Oldknow	D21/759
D589,108	S	*	3/2009	Oldknow	D21/759
D595,797	S	*	7/2009	Oldknow	D21/759
D596,255	S	*	7/2009	Oldknow	D21/759
D716,389	S	*	10/2014	Wieland et al.	D21/759
D716,390	S	*	10/2014	Wieland et al.	D21/759

(73) Assignee: **CALLAWAY GOLF COMPANY**,
Carlsbad, CA (US)

* cited by examiner

(**) Term: **14 Years**

Primary Examiner — Mitchell Siegel

(21) Appl. No.: **29/501,929**

(74) *Attorney, Agent, or Firm* — Rebecca Hanovice;
Michael A. Catania; Sonia Lari

(22) Filed: **Sep. 10, 2014**

(57) **CLAIM**

The ornamental design for a golf club head, as shown and described.

Related U.S. Application Data

DESCRIPTION

(62) Division of application No. 29/472,377, filed on Nov. 12, 2013, now Pat. No. Des. 716,389.

(51) **LOC (10) Cl.** **21-02**

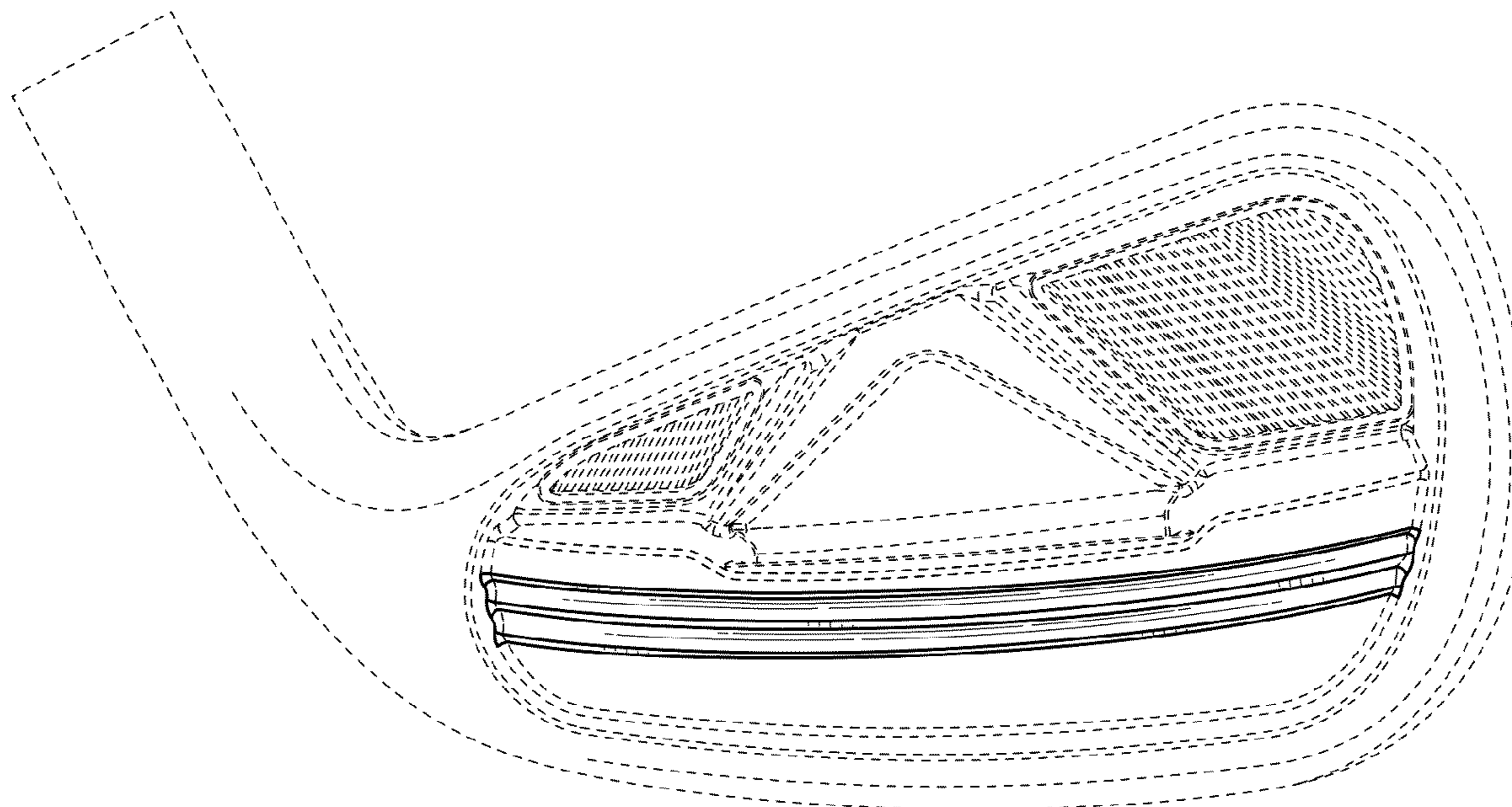
(52) **U.S. Cl.**
USPC **D21/759**

(58) **Field of Classification Search**
USPC D21/747-751, 759
CPC A63B 53/00; A63B 53/04; A63B 53/047;
A63B 53/0475

FIG. 1 is a rear perspective view of the golf club head as claimed herein;
FIG. 2 is a front elevational view thereof;
FIG. 3 is a rear elevational view thereof;
FIG. 4 is a right side elevational view thereof;
FIG. 5 is a left side elevational view thereof;
FIG. 6 is a top plan view thereof; and,
FIG. 7 is a bottom plan view thereof.
The broken lines are included for the purpose of illustration only and form no part of the claimed design.

See application file for complete search history.

1 Claim, 4 Drawing Sheets



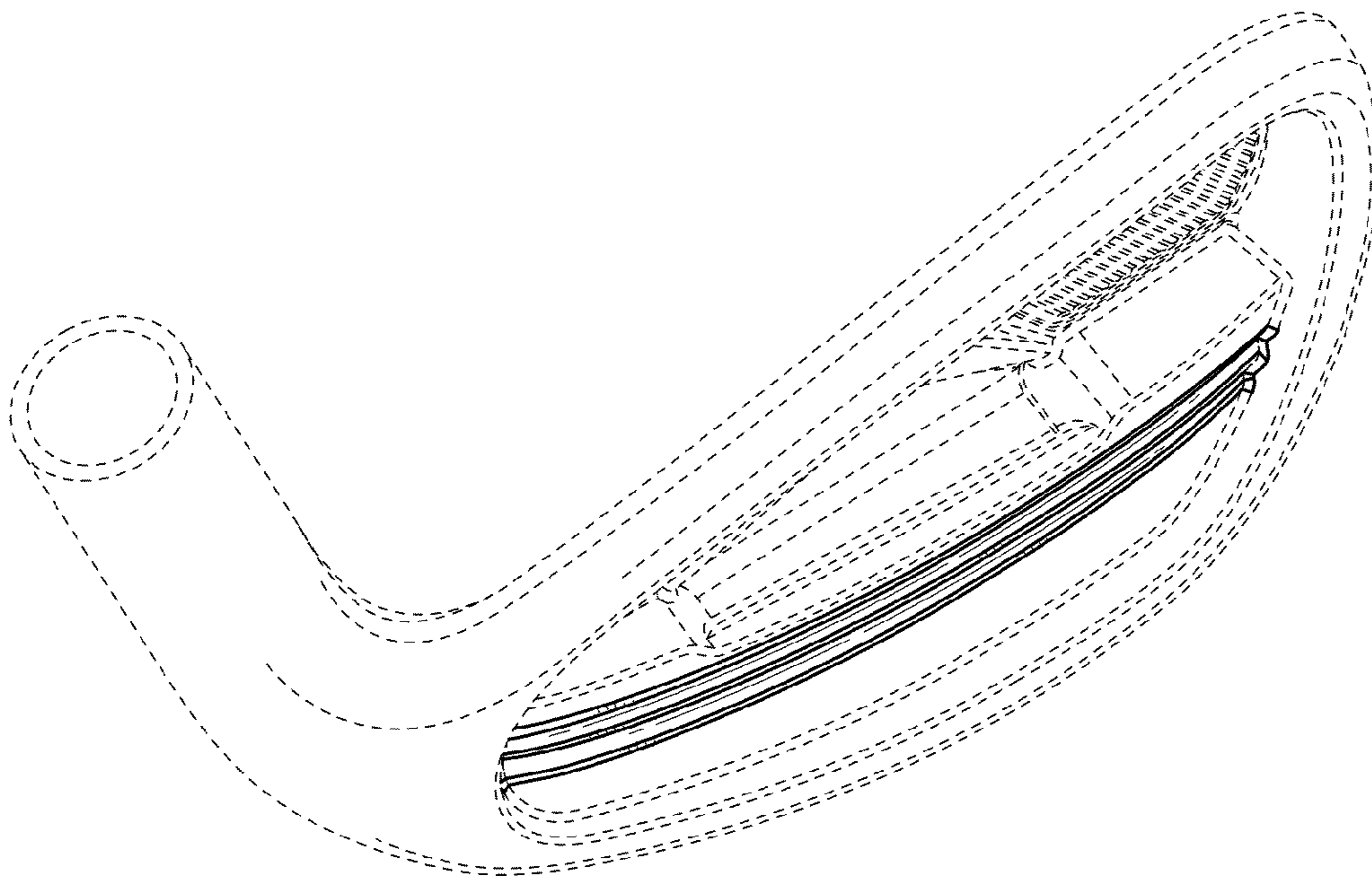


FIG. 1

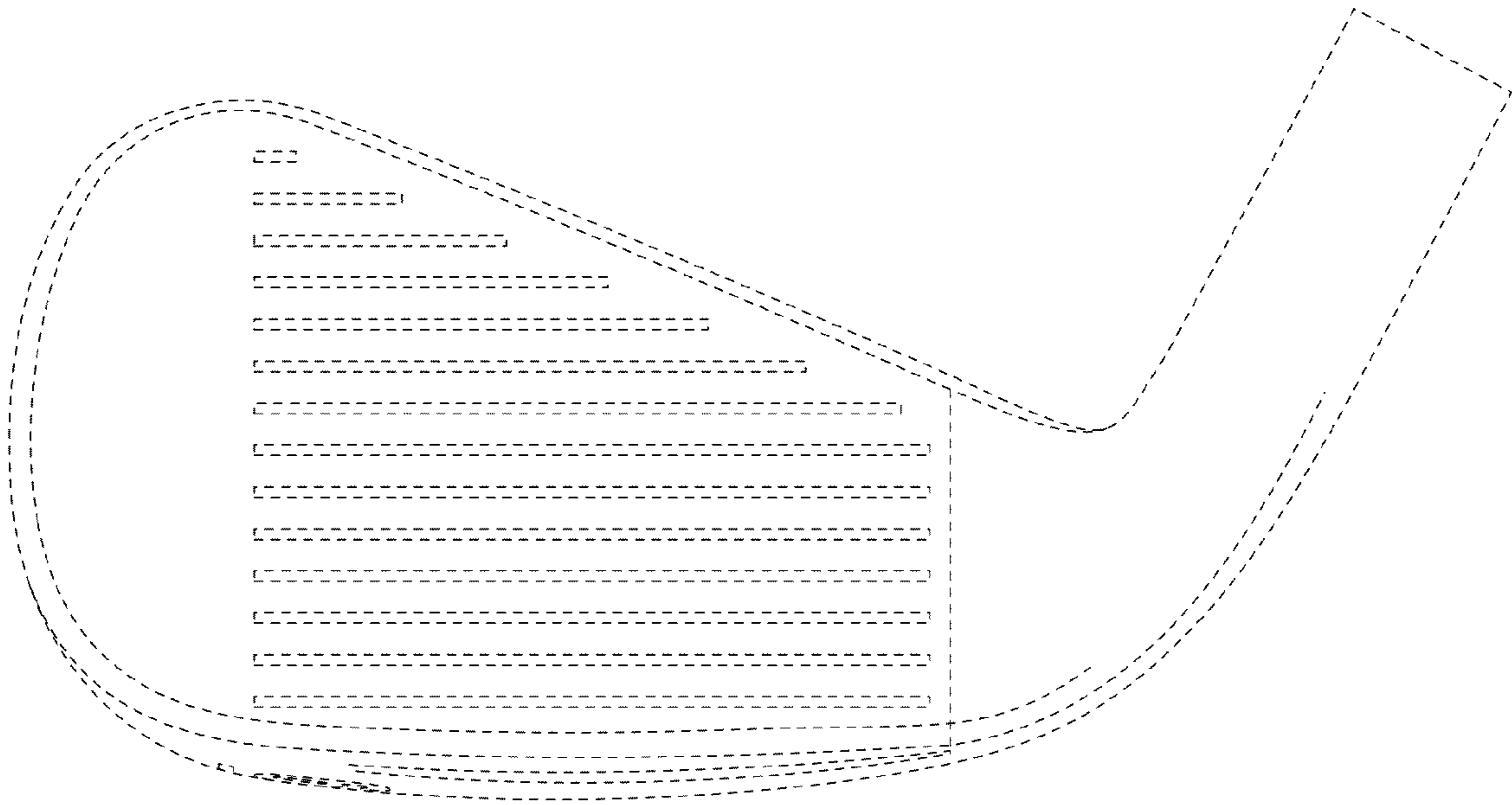


FIG. 2

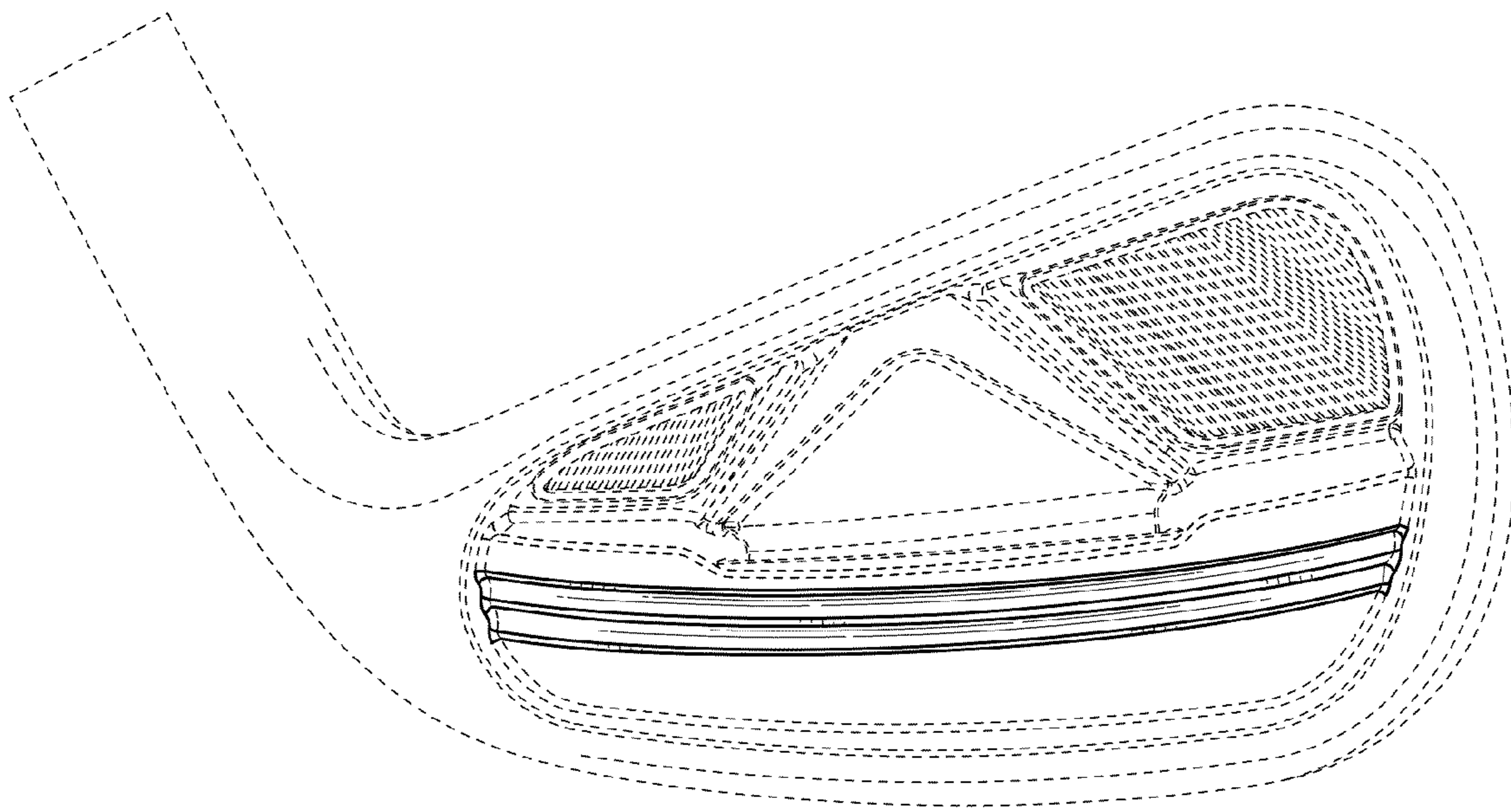


FIG. 3

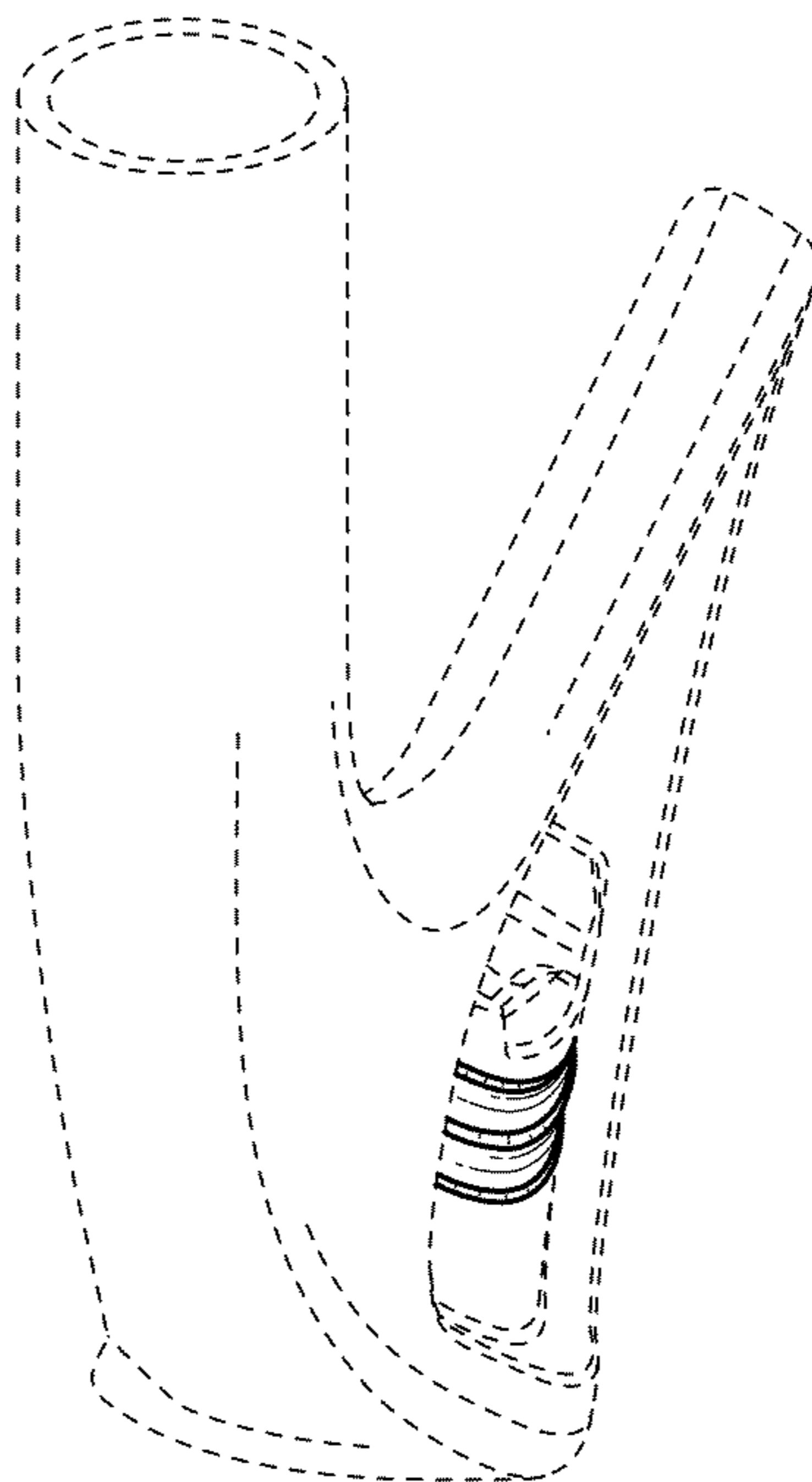


FIG. 4

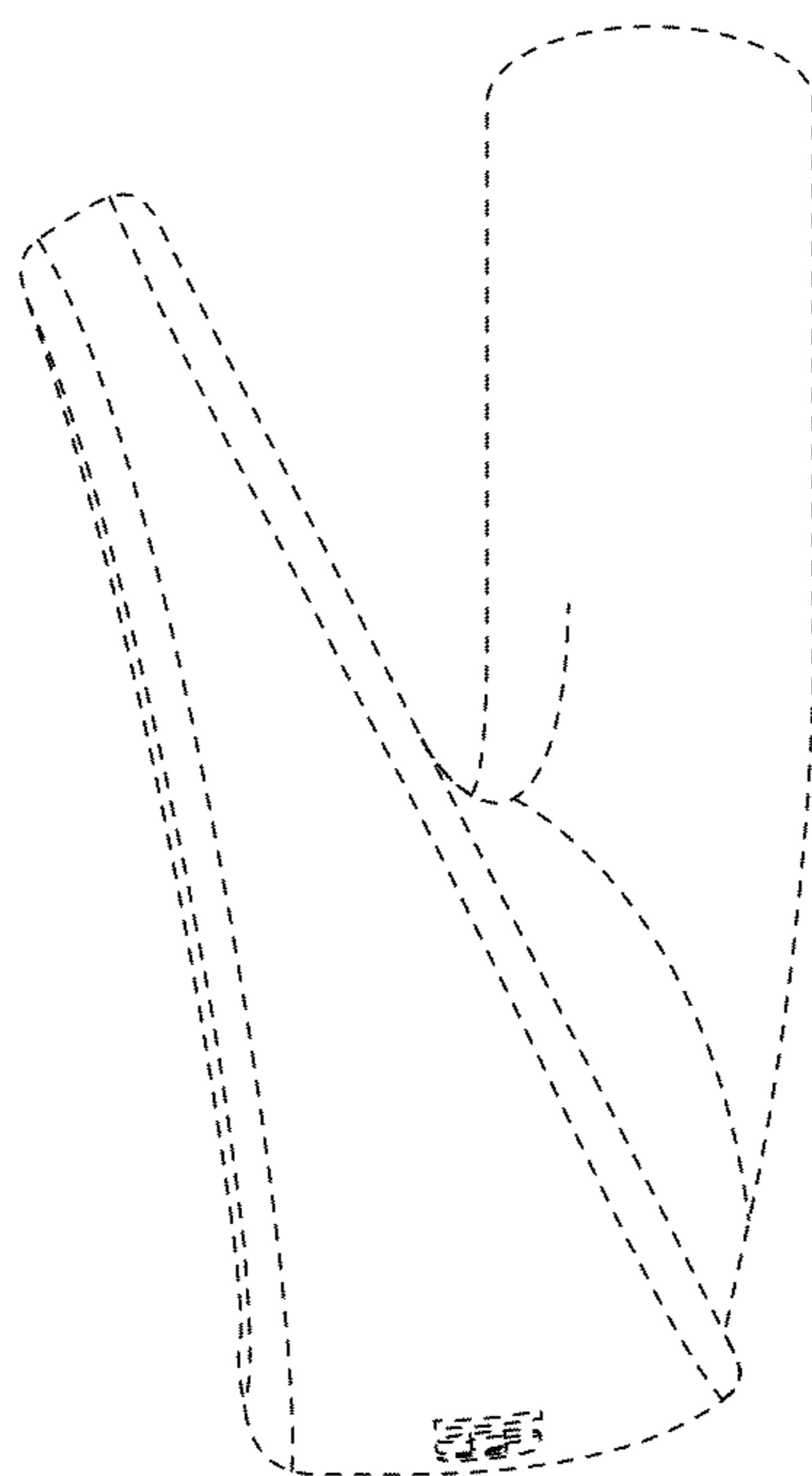


FIG. 5

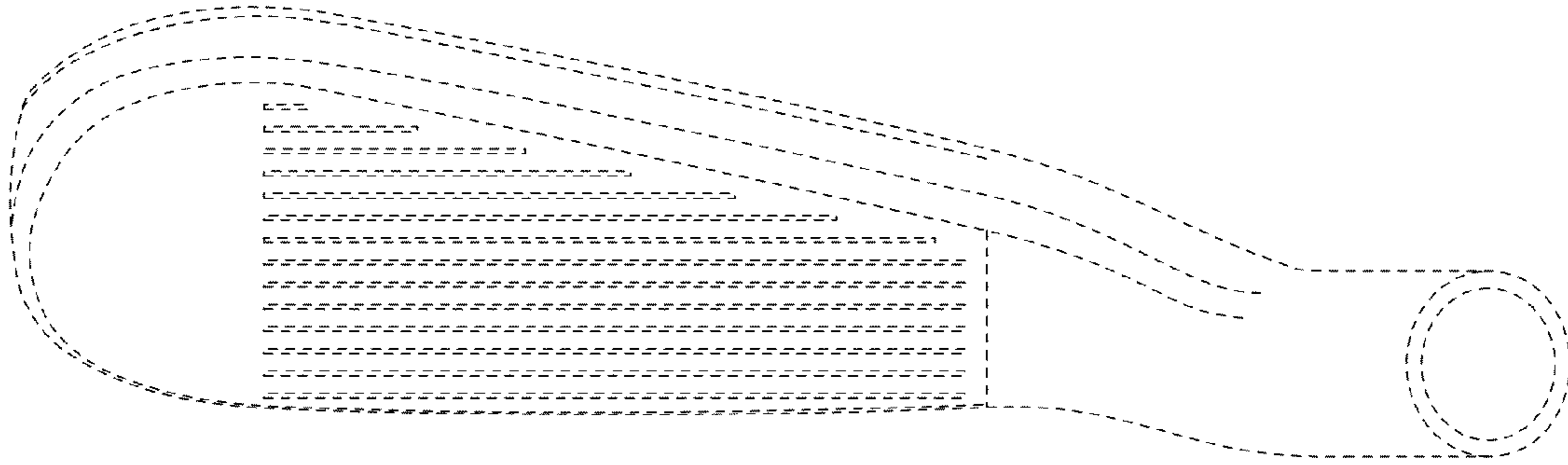


FIG. 6

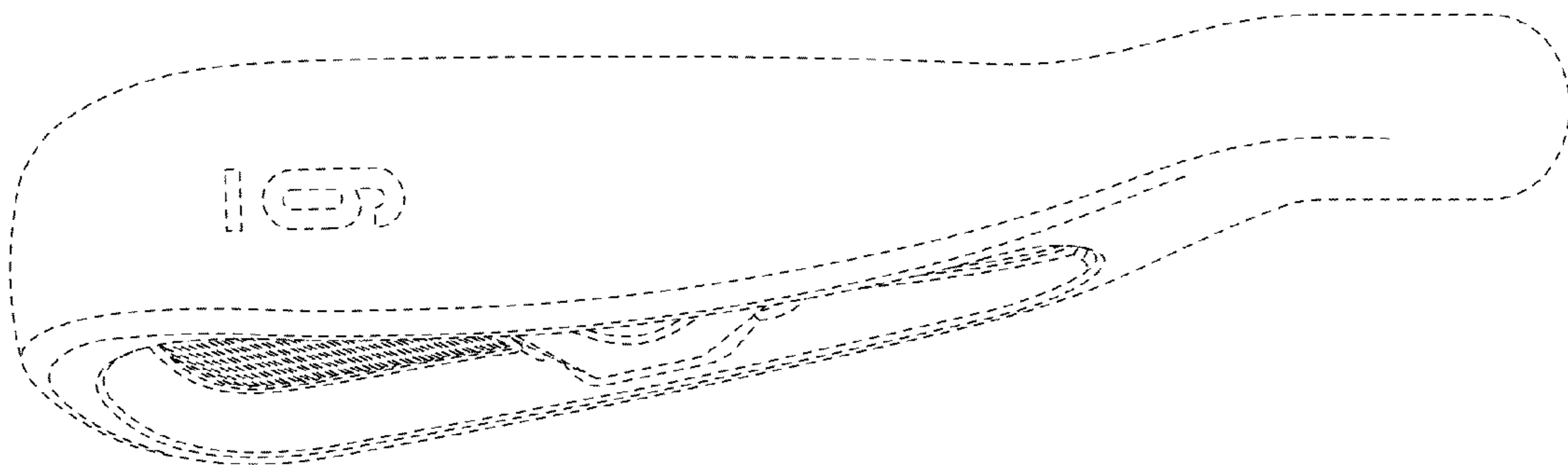


FIG. 7