



US00D737388S

(12) **United States Design Patent**
Tang et al.

(10) **Patent No.:** **US D737,388 S**

(45) **Date of Patent:** **** Aug. 25, 2015**

(54) **GOLF CLUB HEAD**

(71) Applicant: **CALLAWAY GOLF COMPANY**,
Carlsbad, CA (US)

(72) Inventors: **Larry Tang**, Carlsbad, CA (US); **Denver Holt**, Carlsbad, CA (US); **Wee Joung Kim**, Vista, CA (US)

(73) Assignee: **CALLAWAY GOLF COMPANY**,
Carlsbad, CA (US)

(**) Term: **14 Years**

(21) Appl. No.: **29/501,590**

(22) Filed: **Sep. 5, 2014**

(51) **LOC (10) Cl.** **21-02**

(52) **U.S. Cl.**
USPC **D21/759**

(58) **Field of Classification Search**
USPC D21/733, 752, 759
CPC A63B 53/00; A63B 53/04; A63B 53/0466;
A63B 2053/002; A63B 2053/0404; A63B
2053/0433
See application file for complete search history.

(56) **References Cited**

U.S. PATENT DOCUMENTS

D253,778 S * 12/1979 Madison D21/752
D499,158 S * 11/2004 Imamoto D21/752

D507,615 S * 7/2005 Imamoto D21/752
D508,969 S * 8/2005 Hasebe D21/752
D519,178 S * 4/2006 Shimazaki D21/752
D614,711 S * 4/2010 Harbert et al. D21/752
D631,111 S * 1/2011 Bennett et al. D21/752
D656,210 S * 3/2012 Foster D21/752
D656,211 S * 3/2012 Foster D21/752
D656,570 S * 3/2012 Foster D21/752
D663,371 S * 7/2012 Kim D21/752
D667,516 S * 9/2012 Gonzalez et al. D21/752
D707,767 S * 6/2014 Song et al. D21/752
D714,894 S * 10/2014 Tang et al. D21/759

* cited by examiner

Primary Examiner — Mitchell Siegel

(74) *Attorney, Agent, or Firm* — Rebecca Hanovice;
Michael A. Catania; Sonia Lari

(57) **CLAIM**

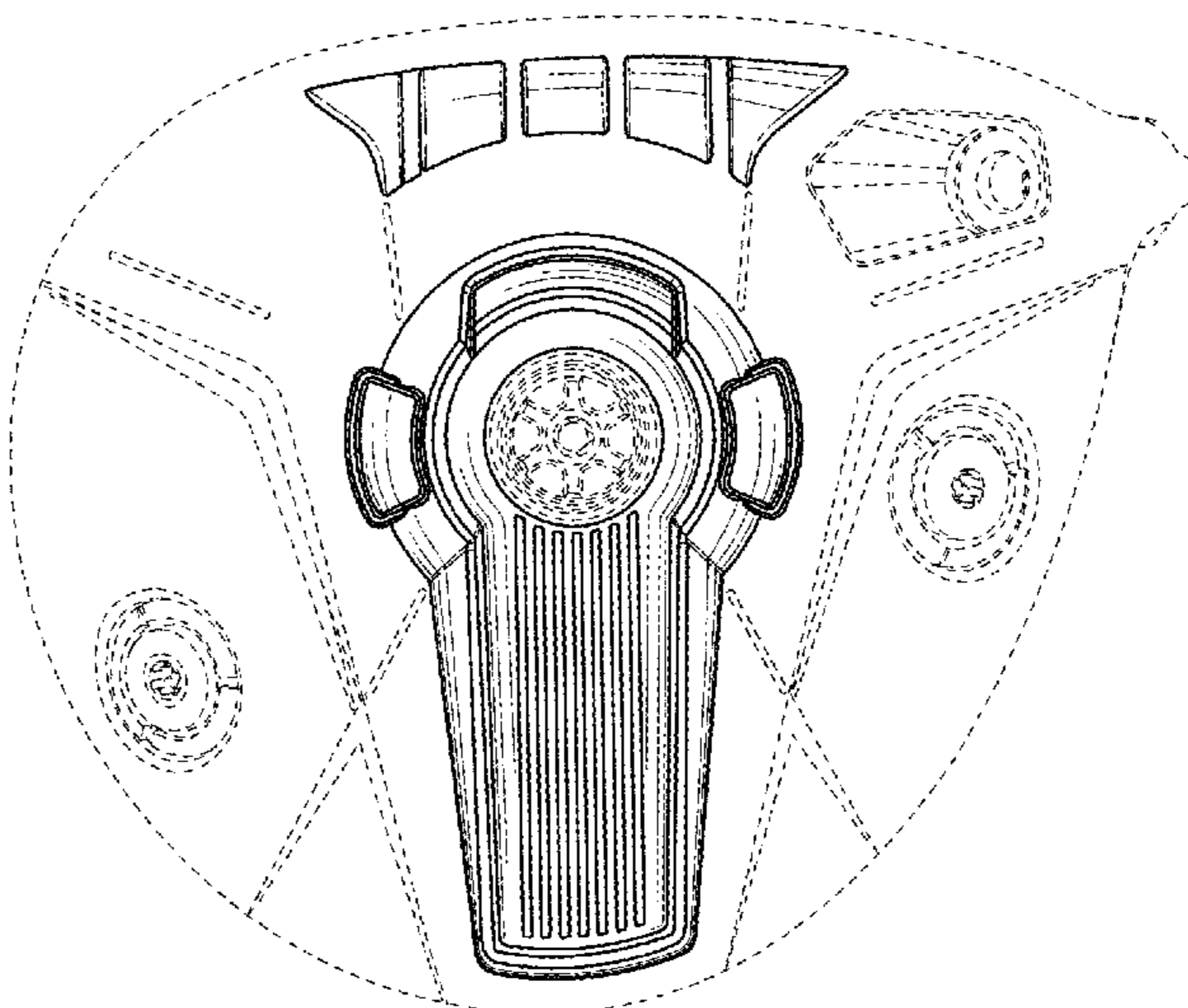
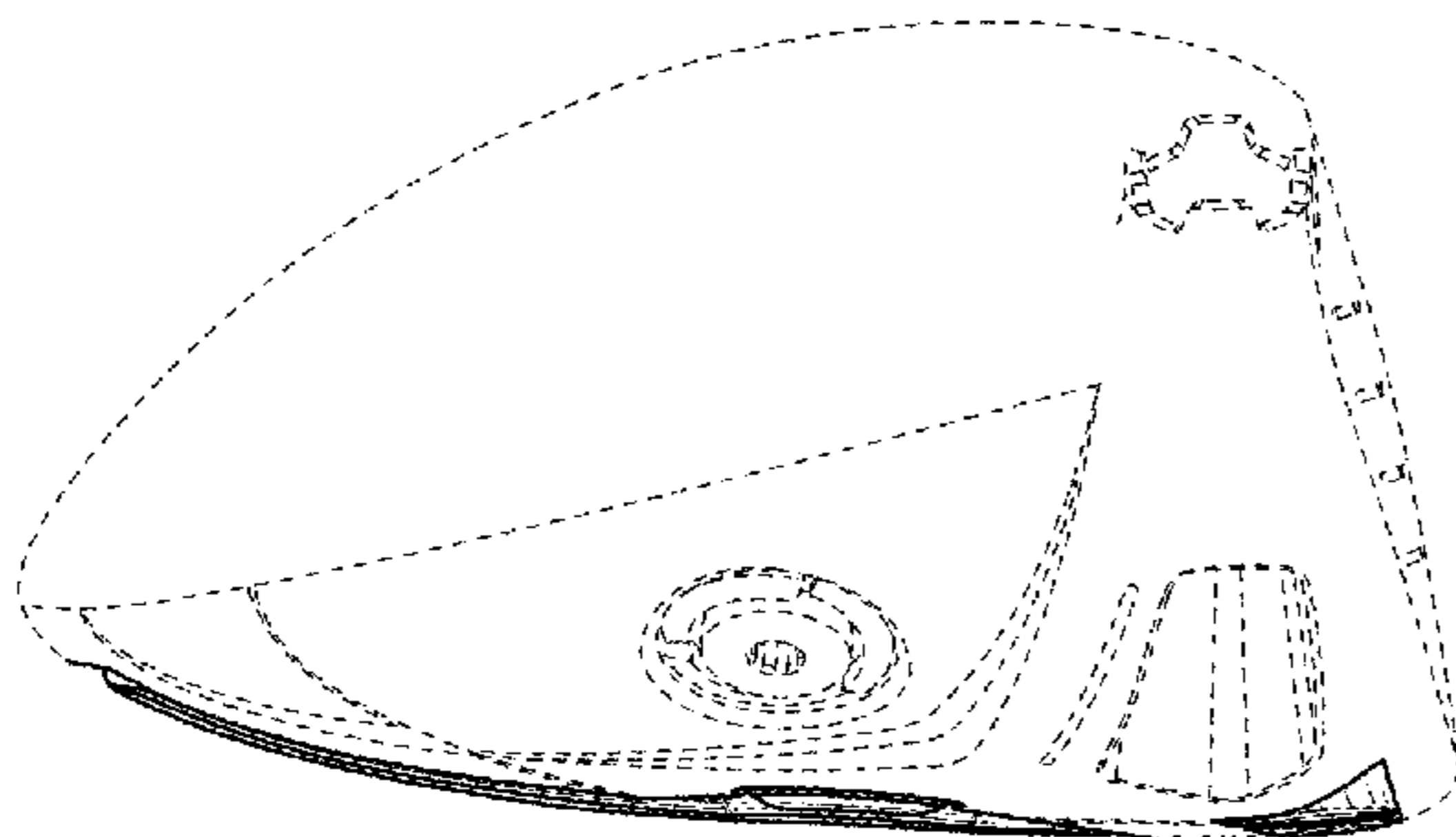
The ornamental design for a golf club head, as shown and described.

DESCRIPTION

FIG. 1 is a rear perspective view of the golf club head herein; FIG. 2 is a front elevational view thereof; FIG. 3 is a rear elevational view thereof; FIG. 4 is a left side elevational view thereof; FIG. 5 is a right side elevational view thereof; FIG. 6 is a top plan view thereof; and, FIG. 7 is a bottom plan view thereof.

The broken lines in the drawings illustrate unclaimed features of the golf club head.

1 Claim, 4 Drawing Sheets



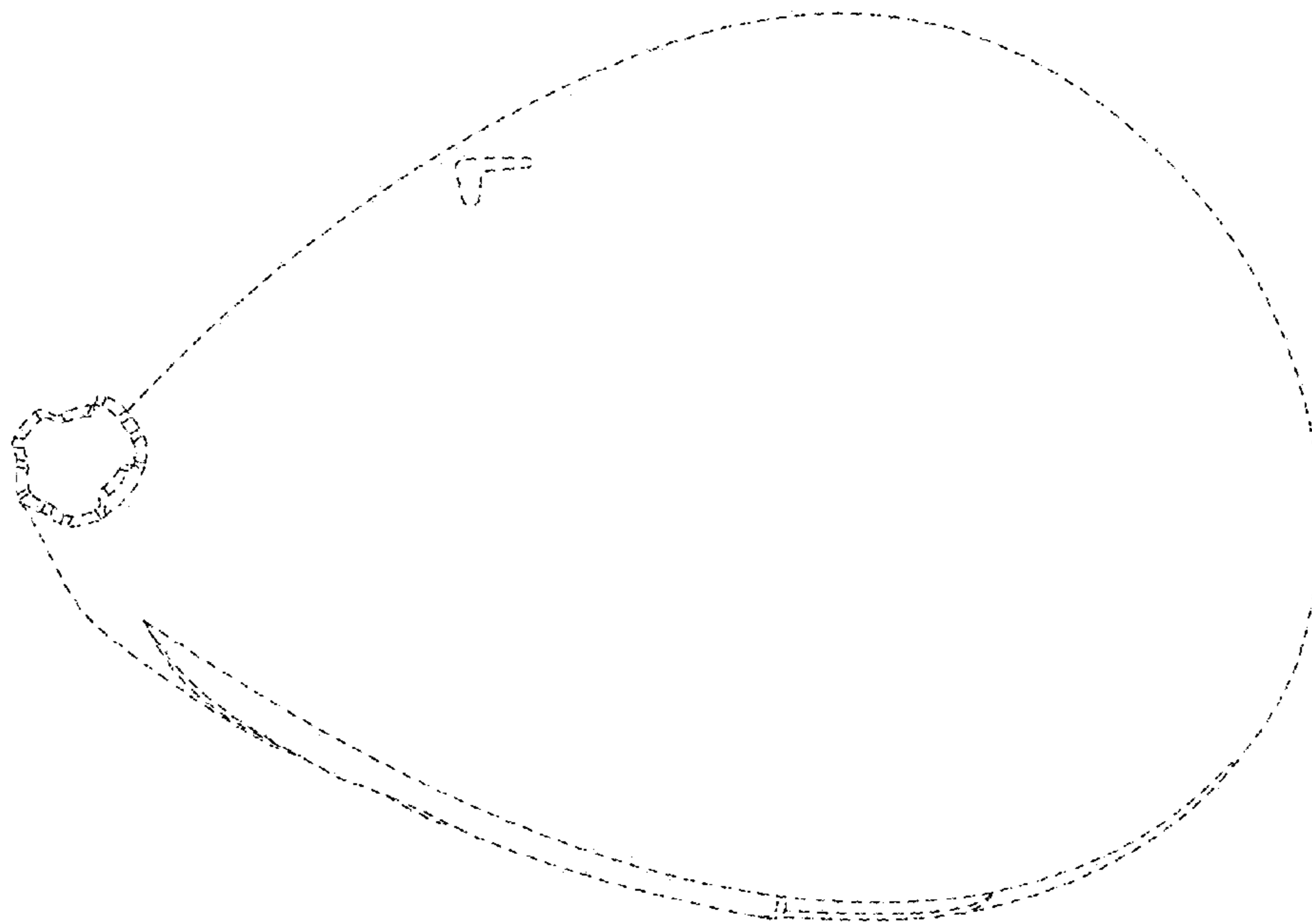


FIG. 1

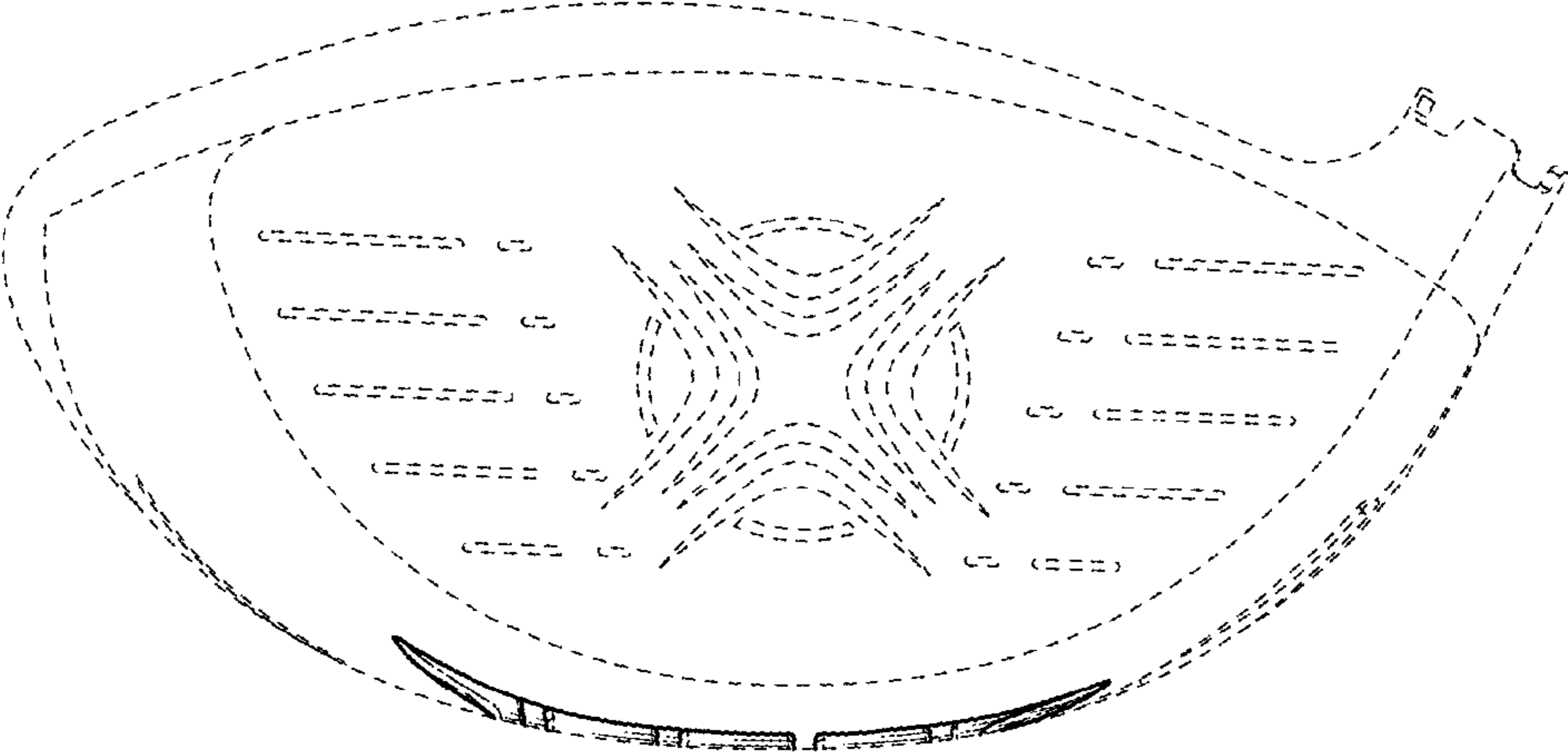


FIG. 2

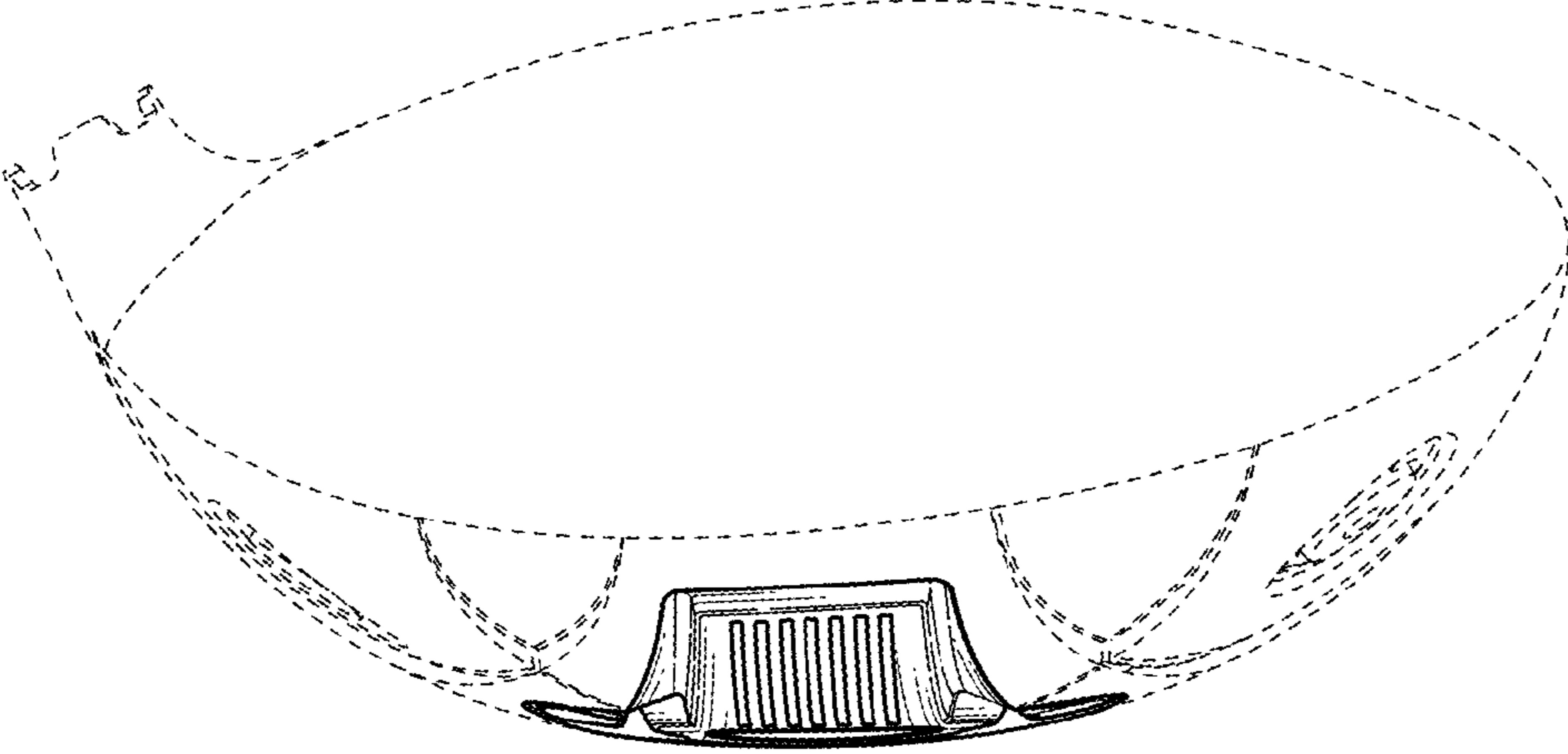


FIG. 3

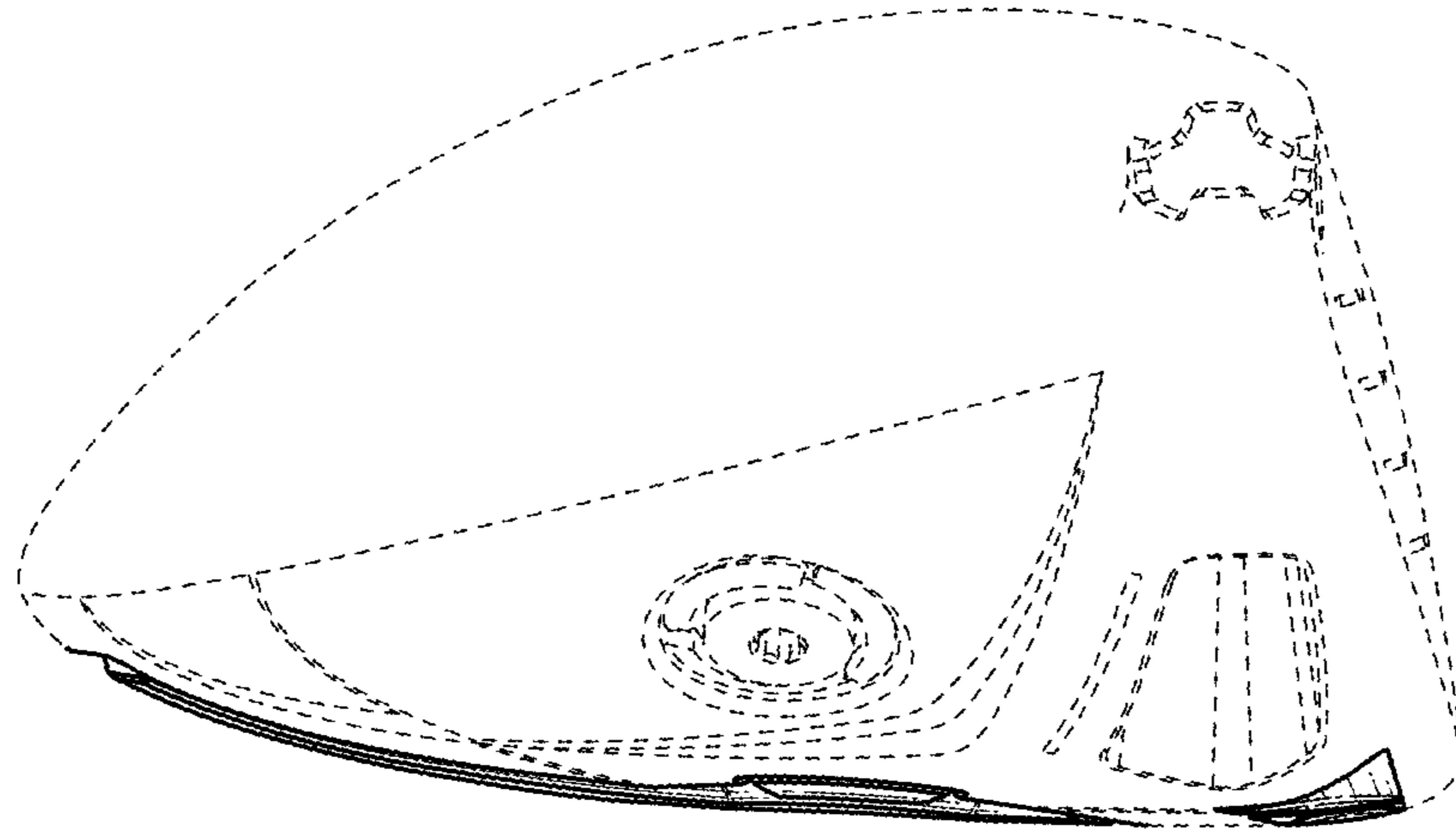


FIG. 4

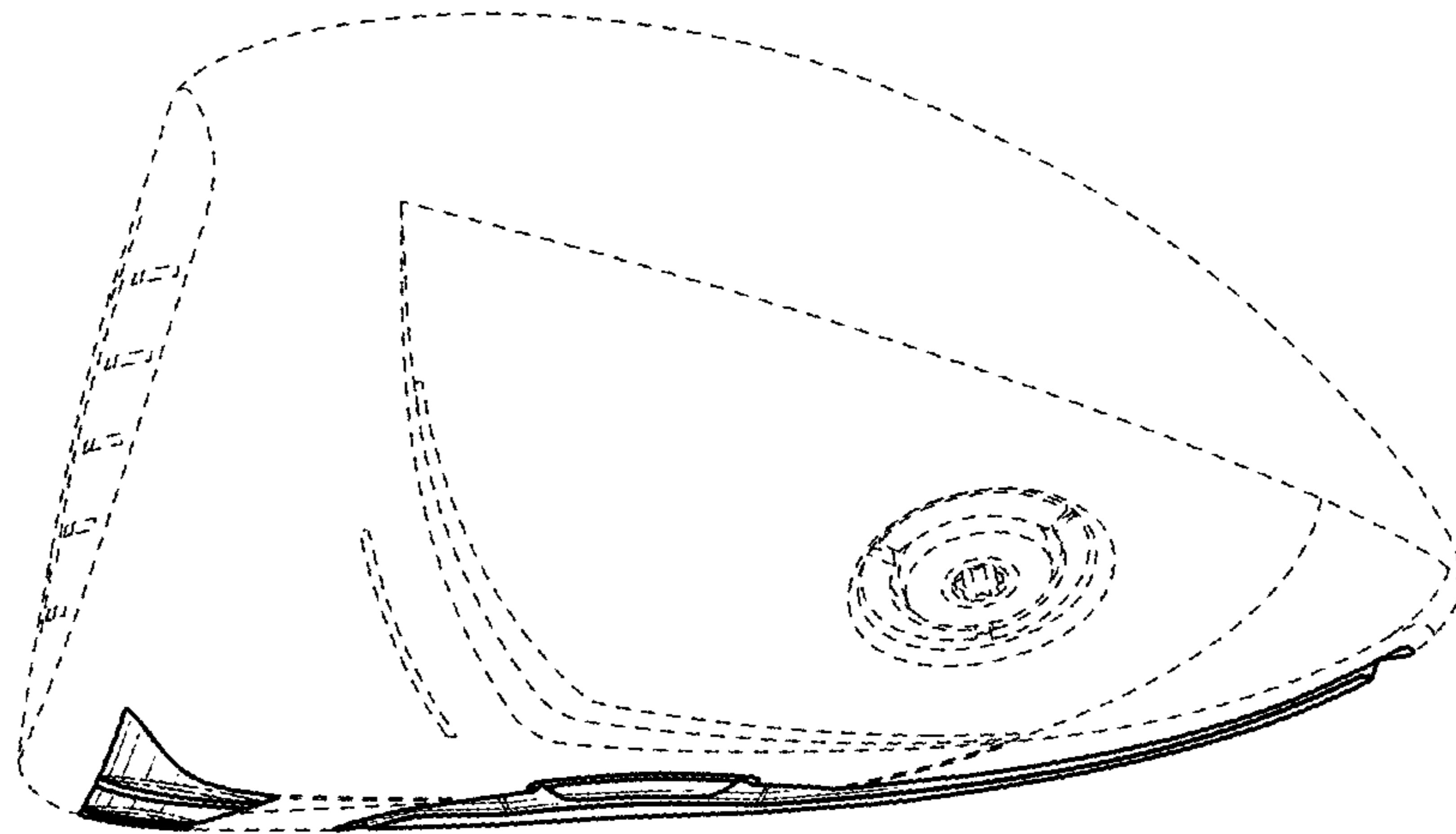


FIG. 5

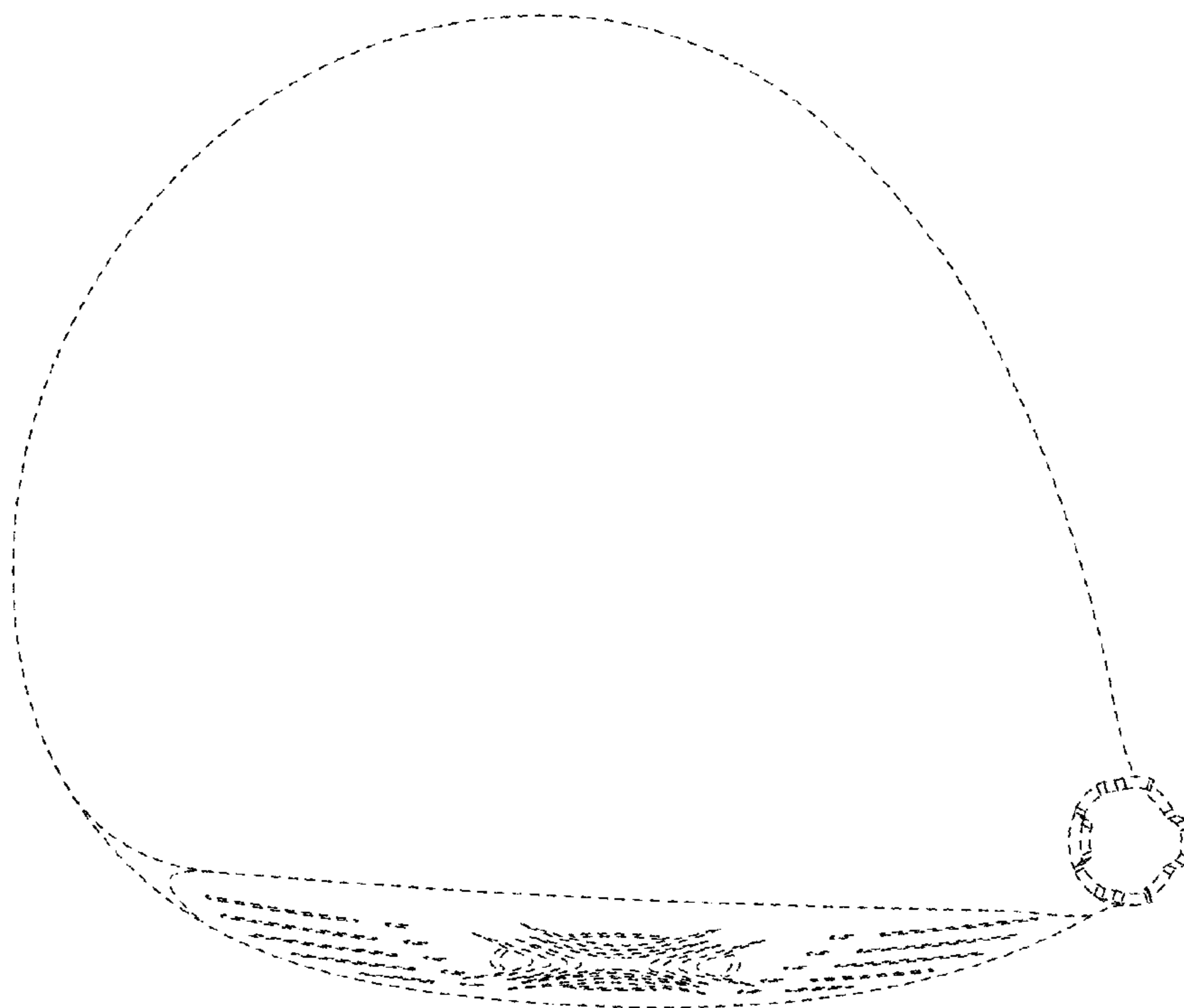


FIG. 6

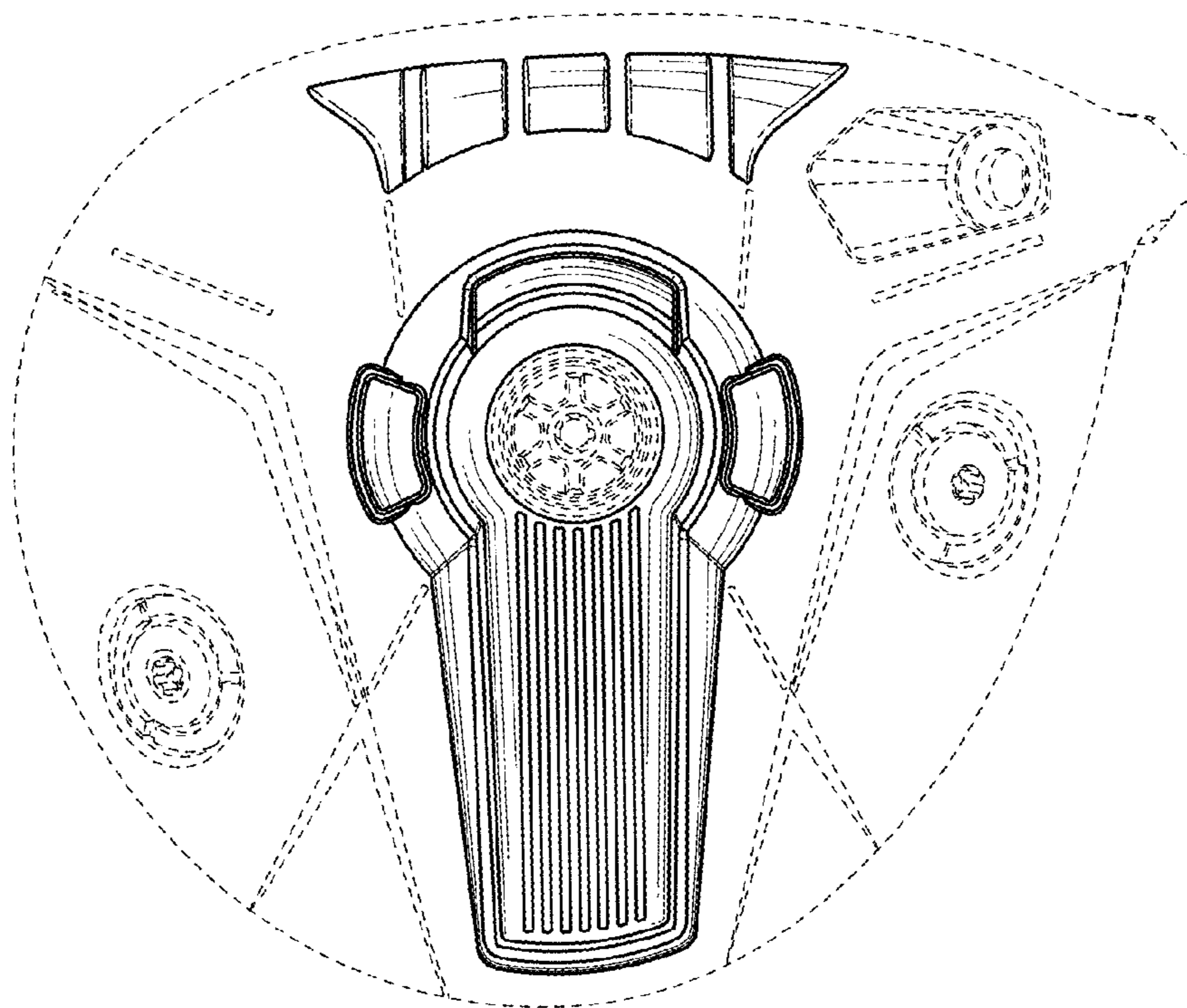


FIG. 7