



US00D737387S

(12) **United States Design Patent**
De Siqueira Indio da Costa et al.

(10) **Patent No.:** **US D737,387 S**

(45) **Date of Patent:** **** Aug. 25, 2015**

(54) **EXERCISE WEIGHT HOLDER**

(56) **References Cited**

(71) Applicant: **BRUDDEN EQUIPAMENTOS**
LTDA., Pompeia (BR)

U.S. PATENT DOCUMENTS

(72) Inventors: **Luiz Augusto De Siqueira Indio da**
Costa, Rio de Janeiro (BR); **Andre**
Cunha Lobo de Melo, Rio de Janeiro
(BR); **Pedro Pons Antunes,** Rio de
Janeiro (BR); **Luiz Guilherme Assis**
Melo de Baere, Rio de Janeiro (BR);
Flavio Carrasco Rizkalla dos Santos,
Rio de Janeiro (BR)

4,199,139	A *	4/1980	Mahnke et al.	482/101
D428,949	S *	8/2000	Simonson	D21/694
D493,854	S *	8/2004	Grider	D21/694
D513,289	S *	12/2005	Panatta	D21/676
D514,174	S *	1/2006	Germantown	D21/676
D574,449	S *	8/2008	Webber et al.	D21/675
7,670,269	B2 *	3/2010	Webber et al.	482/94
7,722,509	B2 *	5/2010	Eder	482/99
7,794,371	B2 *	9/2010	Webber et al.	482/95
7,955,235	B2 *	6/2011	Keiser	482/112
2002/0025888	A1 *	2/2002	Germanton et al.	482/1
2012/0329626	A1 *	12/2012	Meredith et al.	482/142
2013/0109544	A1 *	5/2013	Reyes	482/99
2013/0157816	A1 *	6/2013	Lyszcwarz	482/99
2014/0296040	A1 *	10/2014	Mobley	482/104

(73) Assignee: **BRUDDEN EQUIPAMENTOS**
LTDA., Pompeia (BR)

* cited by examiner

(**) Term: **14 Years**

Primary Examiner — Robert M Spear

Assistant Examiner — Ryan Harvey

(74) *Attorney, Agent, or Firm* — Michael J. Striker

(21) Appl. No.: **29/498,447**

(57) **CLAIM**

The ornamental design for an exercise weight holder, as shown and described.

(22) Filed: **Aug. 4, 2014**

DESCRIPTION

(51) **LOC (10) Cl.** **21-02**

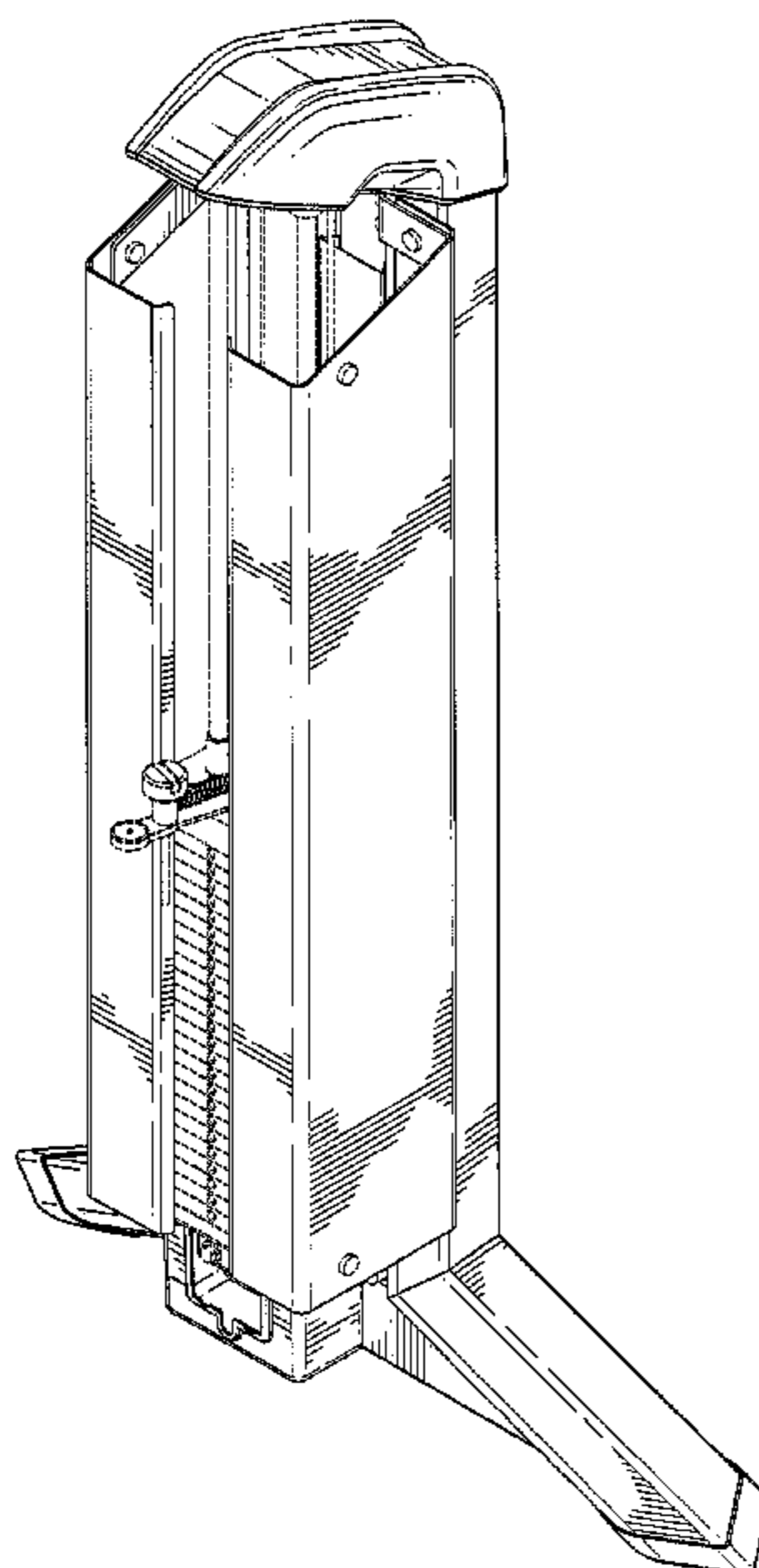
(52) **U.S. Cl.**
USPC **D21/694**

(58) **Field of Classification Search**
USPC 482/99, 111, 114, 121, 133, 94, 142,
482/130, 112, 100, 138, 102, 101, 1, 5, 8, 9,
482/901, 95, 96, 51, 92, 93, 136, 104, 108,
482/97, 140, 69, 107, 98, 139, 4, 6, 145,
482/41; 434/29; D21/673, 691, 694, 682,
D21/686, 675, 676, 826

FIG. 1 is a top right perspective view of an exercise weight holder showing our new design;
FIG. 2 is a bottom right perspective view thereof;
FIG. 3 is a left side rear perspective view thereof;
FIG. 4 is a front elevational view thereof;
FIG. 5 is a rear elevational view thereof;
FIG. 6 is a side elevational view thereof;
FIG. 7 is the opposite side view of FIG. 6.
FIG. 8 is a top plan view thereof; and,
FIG. 9 is a bottom plan view thereof.
The broken lines illustrate unclaimed portions of the article.

See application file for complete search history.

1 Claim, 8 Drawing Sheets



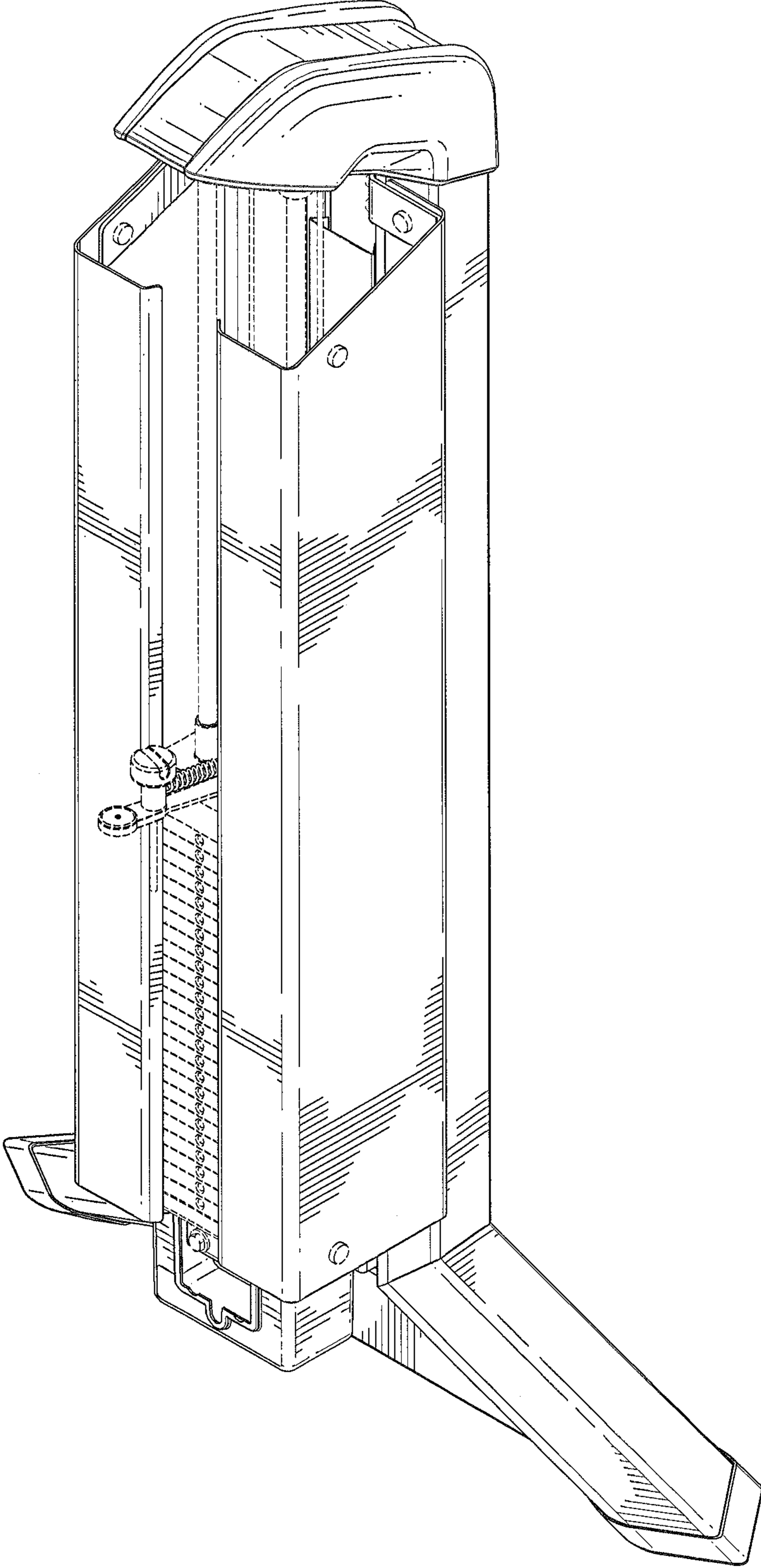


FIG. 1

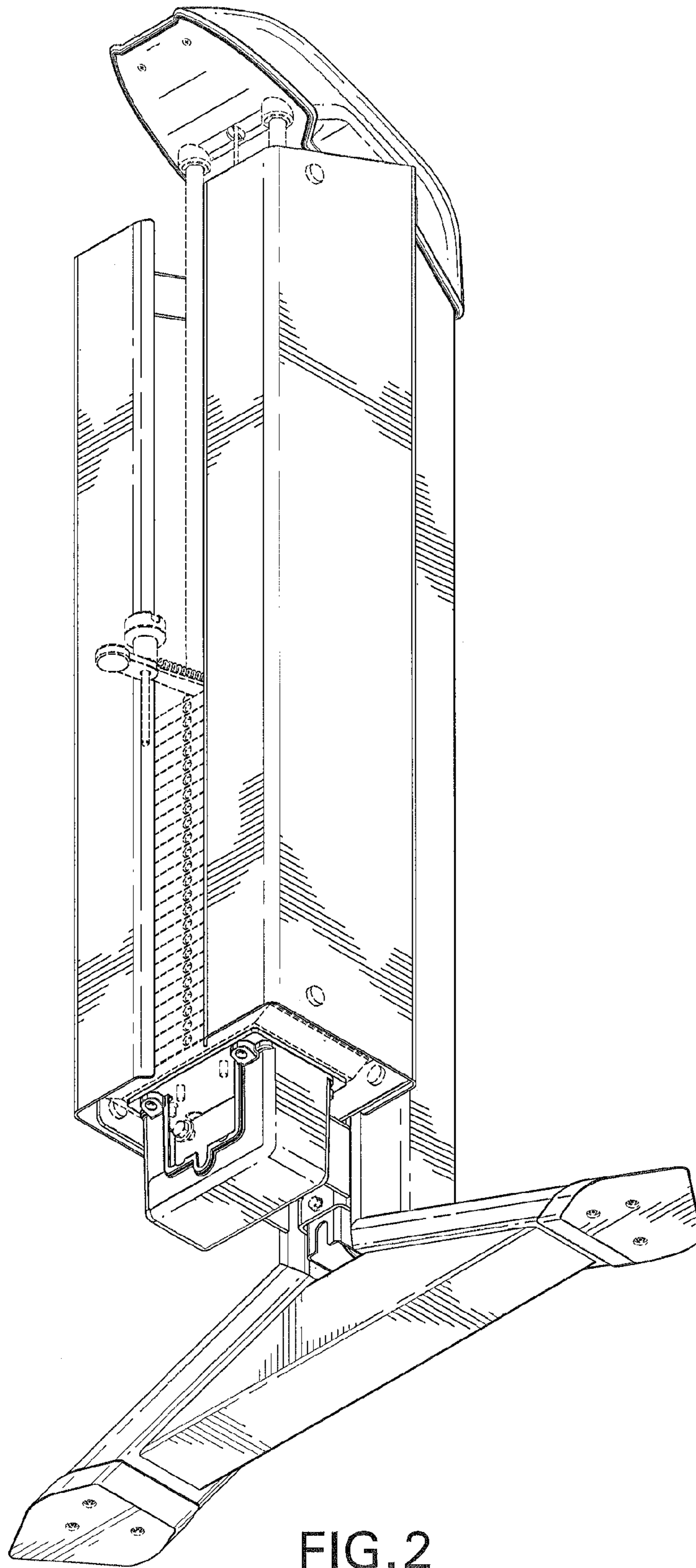
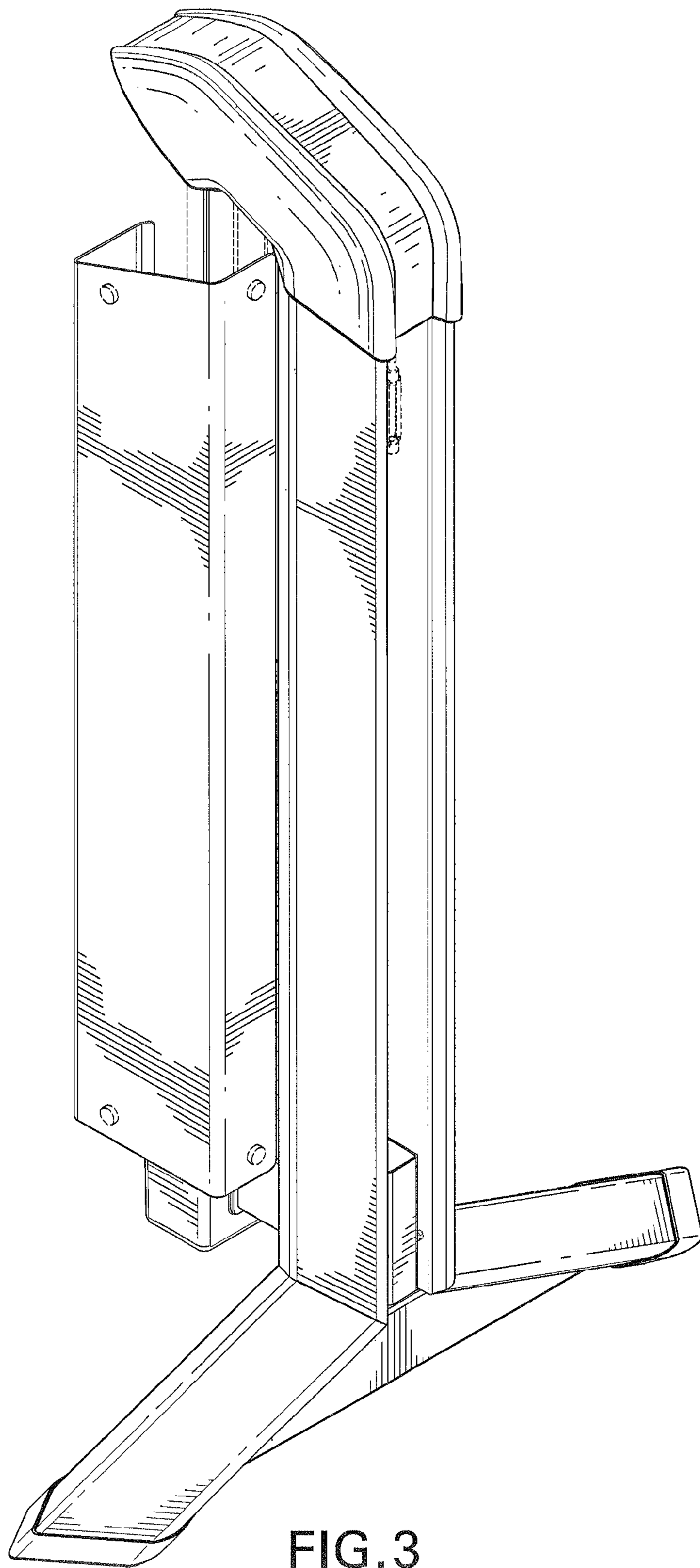


FIG. 2



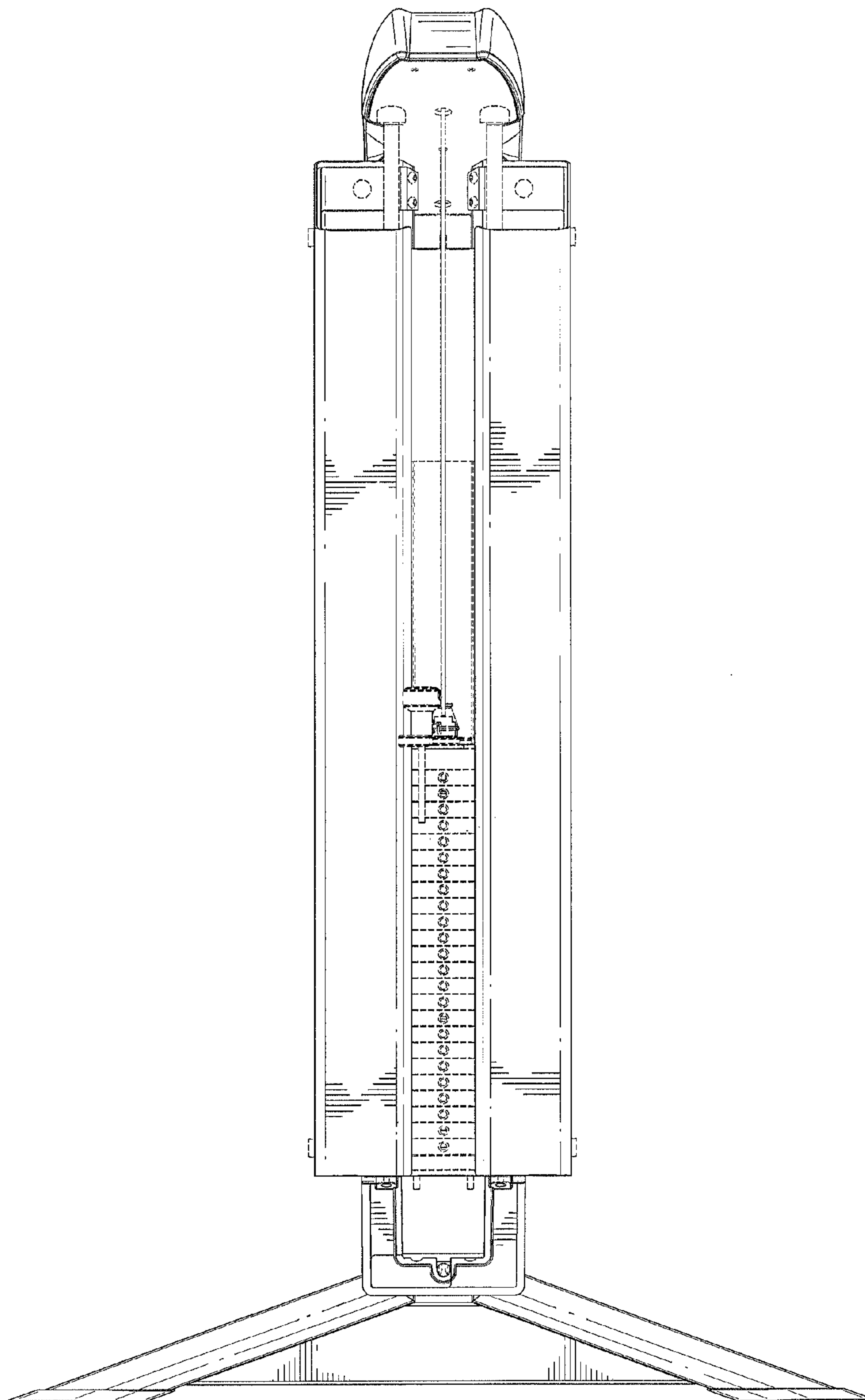


FIG. 4

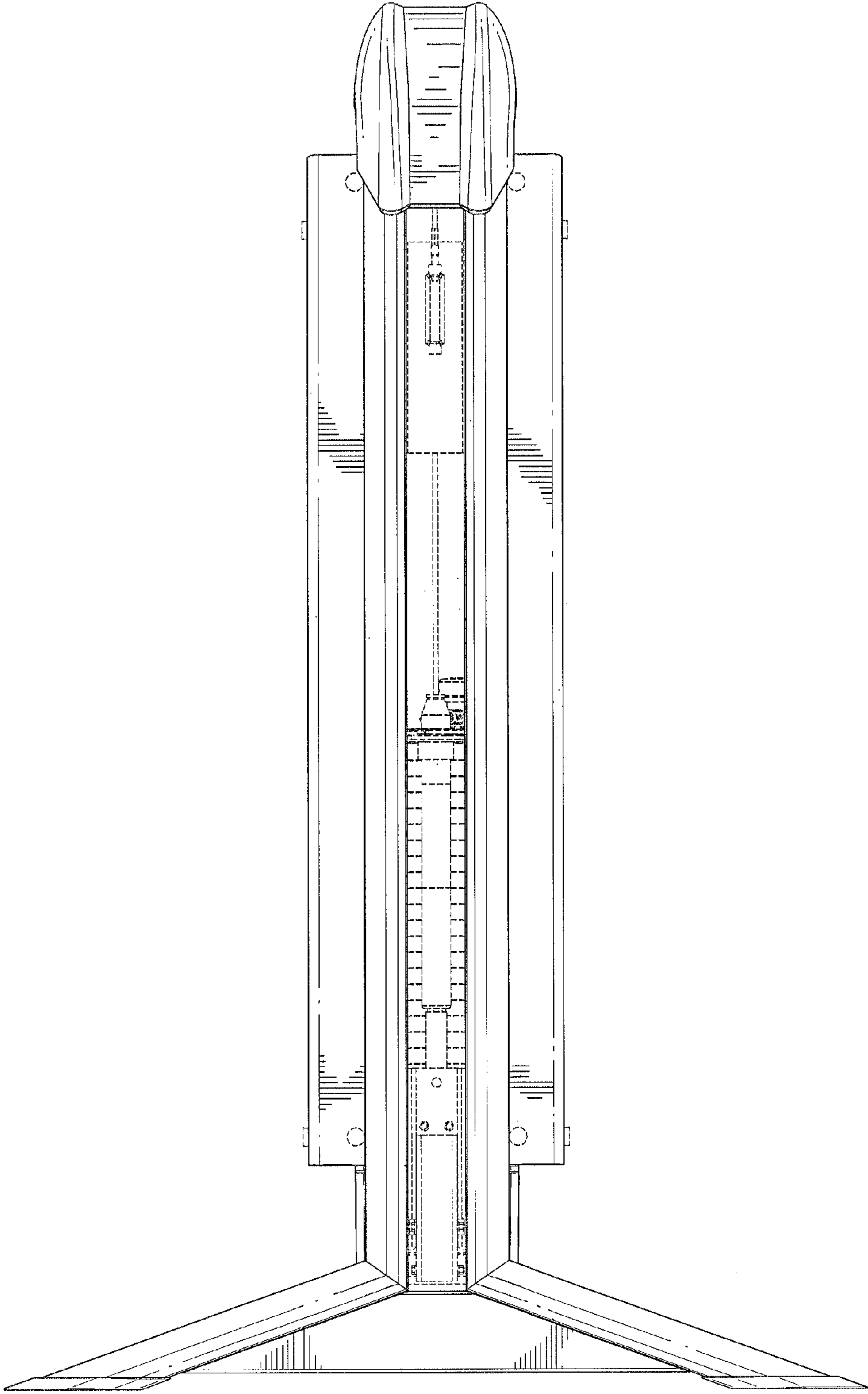


FIG. 5

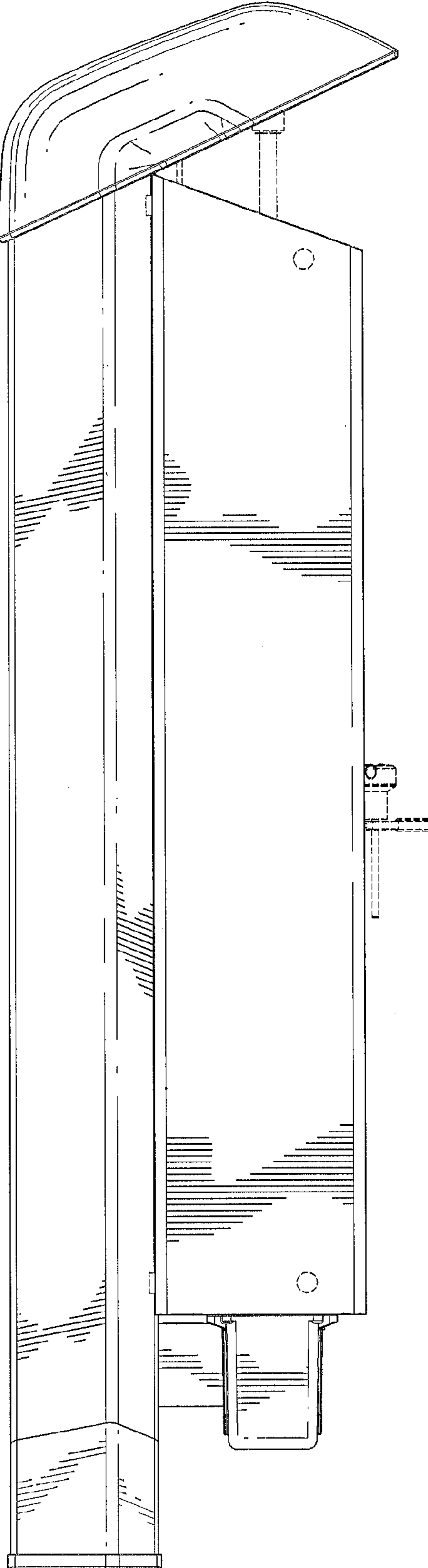


FIG. 6

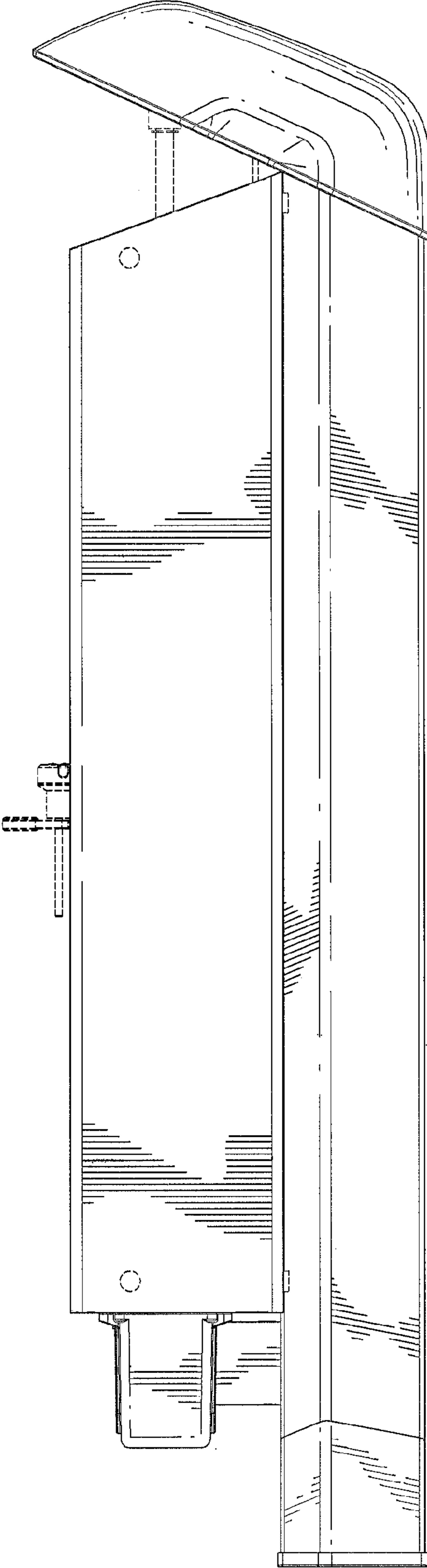


FIG. 7

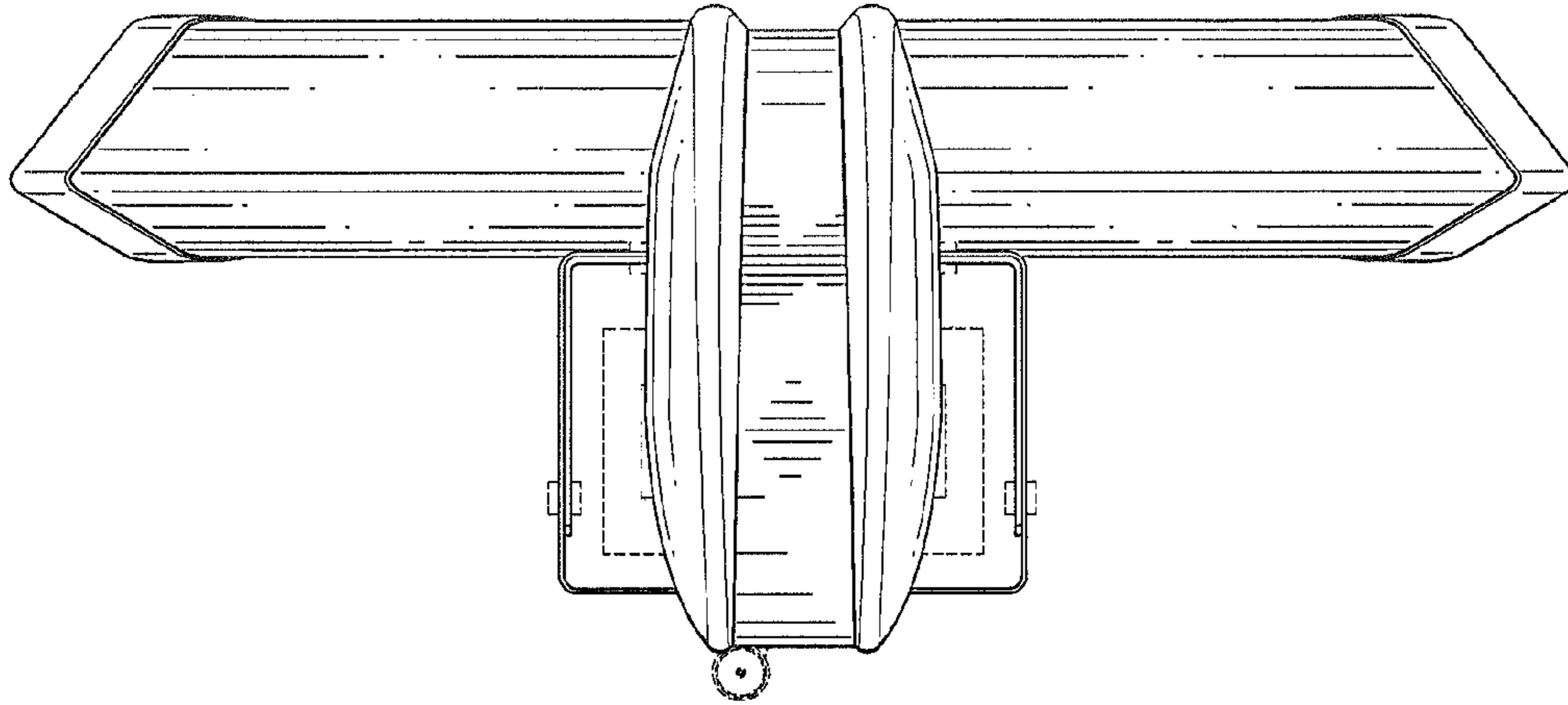


FIG. 8

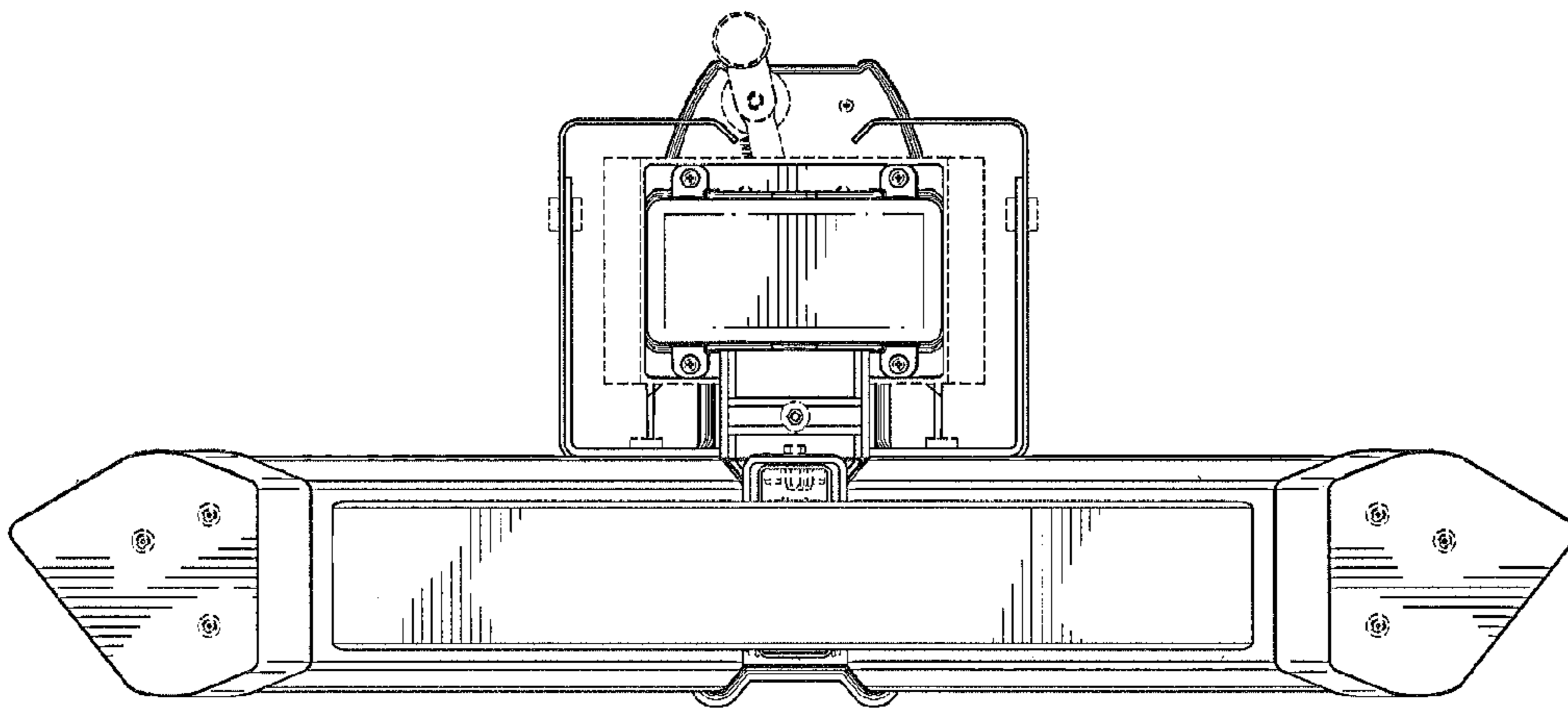


FIG. 9