

US00D737386S

(12) **United States Design Patent**
Ho et al.

(10) **Patent No.:** **US D737,386 S**

(45) **Date of Patent:** **** Aug. 25, 2015**

(54) **MULTI-BAR PILATES EXERCISE MACHINE**

(71) Applicants: **Wei-Teh Ho**, Taipei (TW); **Michael Edward Casey**, Austin, TX (US)

(72) Inventors: **Wei-Teh Ho**, Taipei (TW); **Michael Edward Casey**, Austin, TX (US)

(**) Term: **14 Years**

(21) Appl. No.: **29/467,177**

(22) Filed: **Sep. 16, 2013**

(51) **LOC (10) Cl.** **21-02**

(52) **U.S. Cl.**
USPC **D21/691**

(58) **Field of Classification Search**

USPC D21/662, 679, 688–691, 673, 686, 694;
482/35, 36, 38–41, 92–101, 104–108,
482/110, 114, 118, 121–124, 130, 146,
482/148; D6/630, 552, 680.2, 682, 682.2,
D6/682.4; 84/327; D7/601; D20/10
CPC A63B 21/0552; A63B 22/0087; A63B
21/00065; A63B 2208/0252; A63B 2021/022;
A63B 2026/006; A63B 21/00069; A63B
21/1434; A63B 2208/0204; A63B 2208/0228;
A63B 2208/0257; A63B 21/00061; A63B
21/154

See application file for complete search history.

(56) **References Cited**

U.S. PATENT DOCUMENTS

D327,105 S * 6/1992 Smith, Jr. D21/691
D327,107 S * 6/1992 Nersesian D21/690
D467,094 S * 12/2002 Bodzioch D6/410
D468,946 S * 1/2003 Harms et al. D6/552
D486,671 S * 2/2004 Gillet D6/462
D538,109 S * 3/2007 Goodman et al. D7/601
7,374,138 B2 * 5/2008 Marshall 248/159
D583,426 S * 12/2008 Webber et al. D21/694
D587,254 S * 2/2009 Morello D14/239
8,367,919 B2 * 2/2013 Belitz et al. 84/453

D691,839 S * 10/2013 Dallenbach D6/681.1
D712,691 S * 9/2014 Xiang et al. D6/678.1
2003/0148863 A1 * 8/2003 Thomas 482/122
2010/0285932 A1 * 11/2010 Fisher 482/93

* cited by examiner

Primary Examiner — George D Kirschbaum

Assistant Examiner — Jennifer Watkins

(74) *Attorney, Agent, or Firm* — Blakely Sokoloff Taylor Zaffman LLP

(57) **CLAIM**

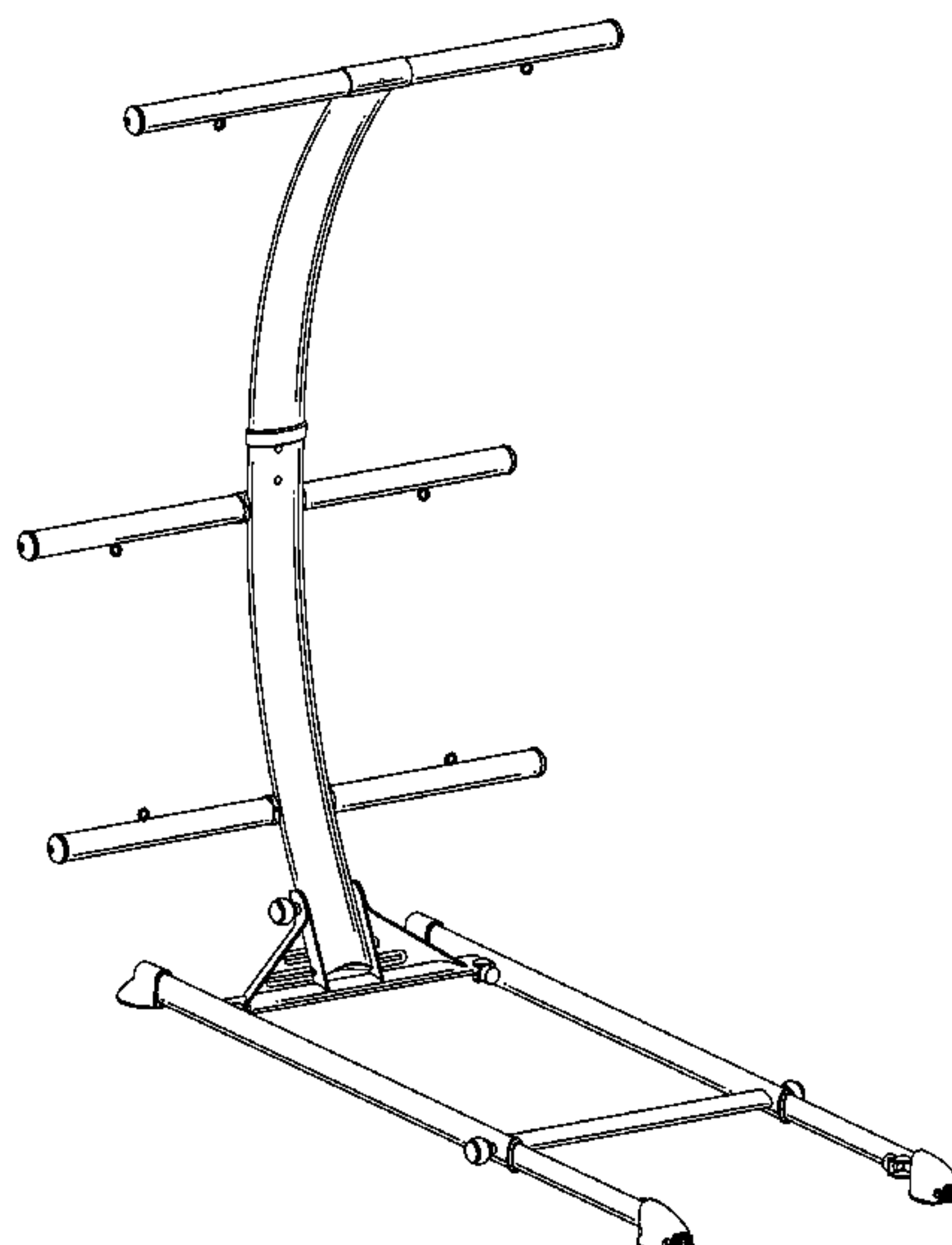
The ornamental design for a multi-bar pilates exercise machine, as shown and described.

DESCRIPTION

FIG. 1 is a front perspective view showing the new design for a multi-bar pilates exercise machine;
FIG. 2 is a front perspective view thereof, shown in a condition of use;
FIG. 3 is a front elevation view thereof;
FIG. 4 is a front elevation view thereof, shown in a condition of use;
FIG. 5 is a rear elevation view thereof;
FIG. 6 is a rear elevation view thereof, shown in a condition of use;
FIG. 7 is a right side elevation view thereof;
FIG. 8 is a right side elevation view thereof; shown in a condition of use;
FIG. 9 is a left side elevation view thereof;
FIG. 10 is a left side elevation view thereof, shown in a condition of use;
FIG. 11 is a top plan view thereof;
FIG. 12 is a top plan view thereof shown in a condition of use;
FIG. 13 is a bottom plan view thereof; and,
FIG. 14 is a bottom plan view thereof shown in a condition of use.

The broken lines in the drawings illustrate portions of the article which form no part of the claimed design.

1 Claim, 14 Drawing Sheets



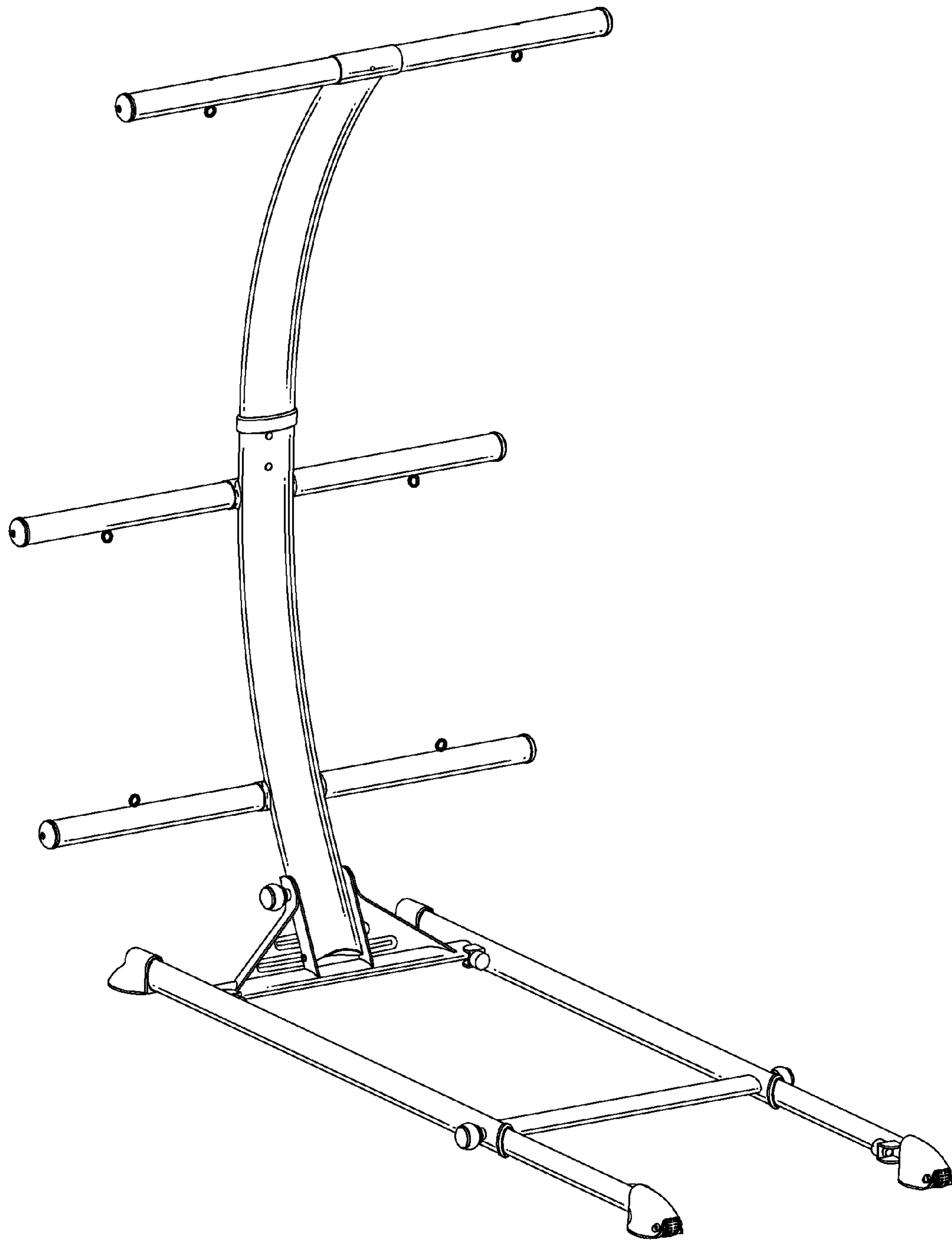


FIG. 1

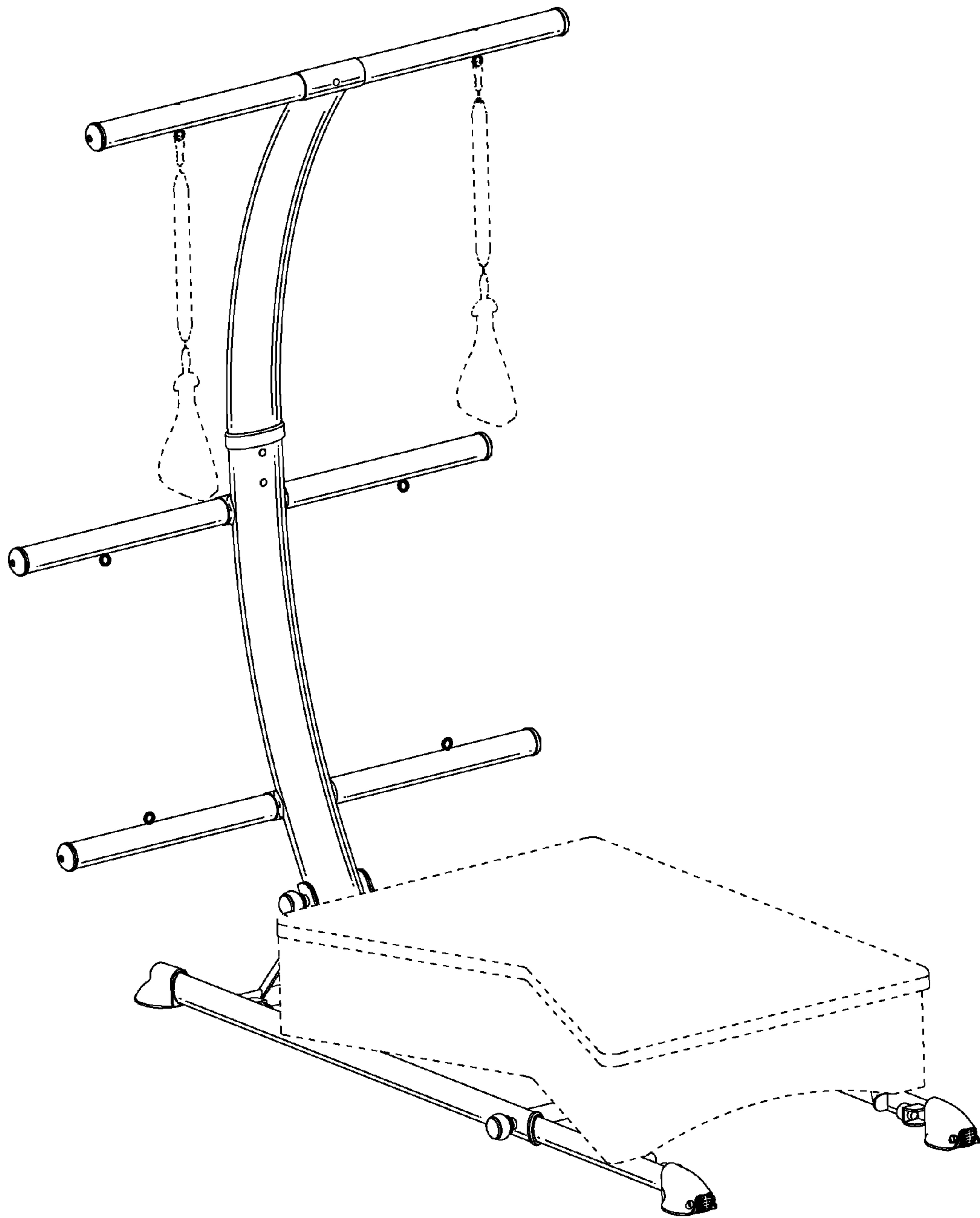


FIG. 2

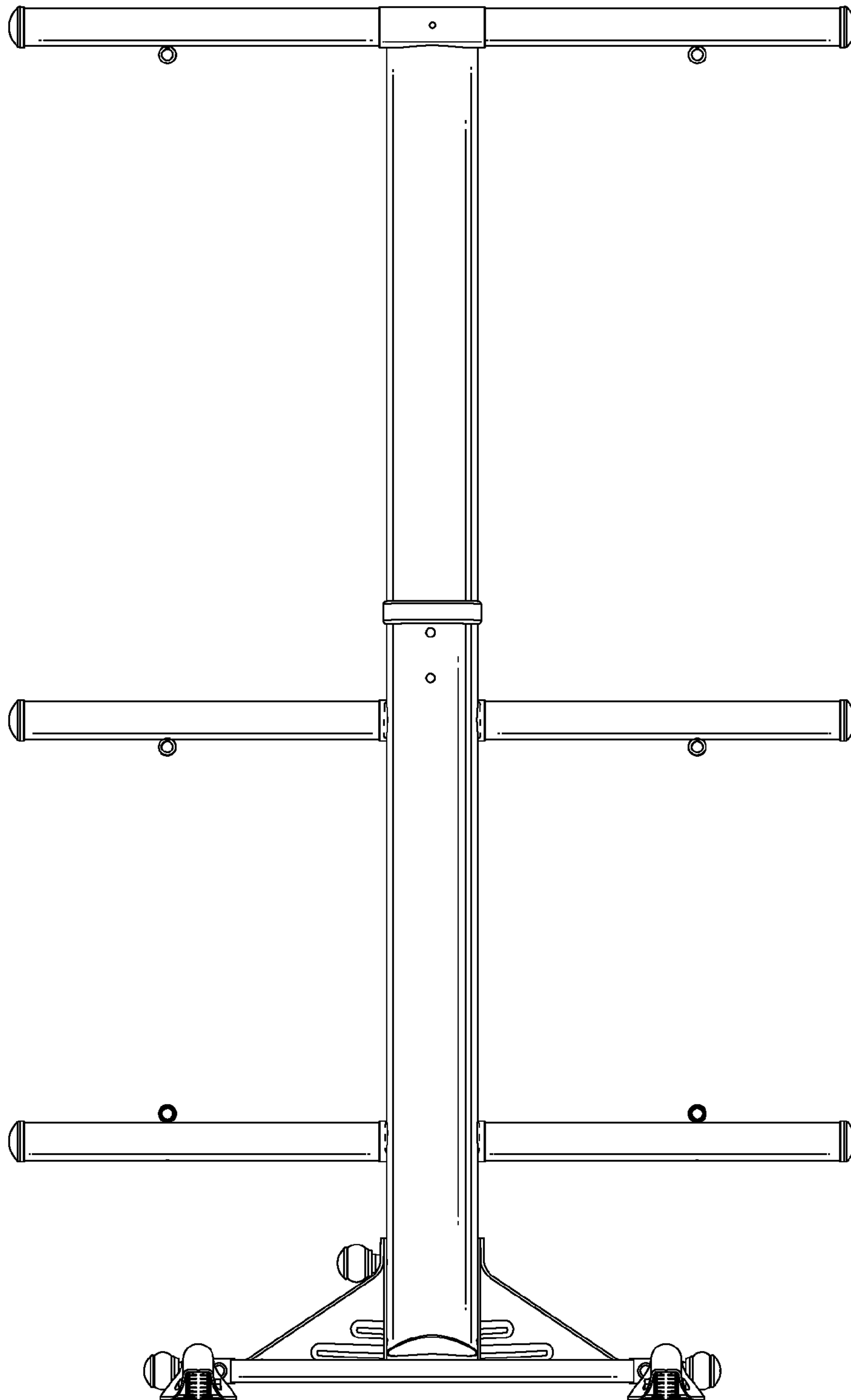


FIG. 3

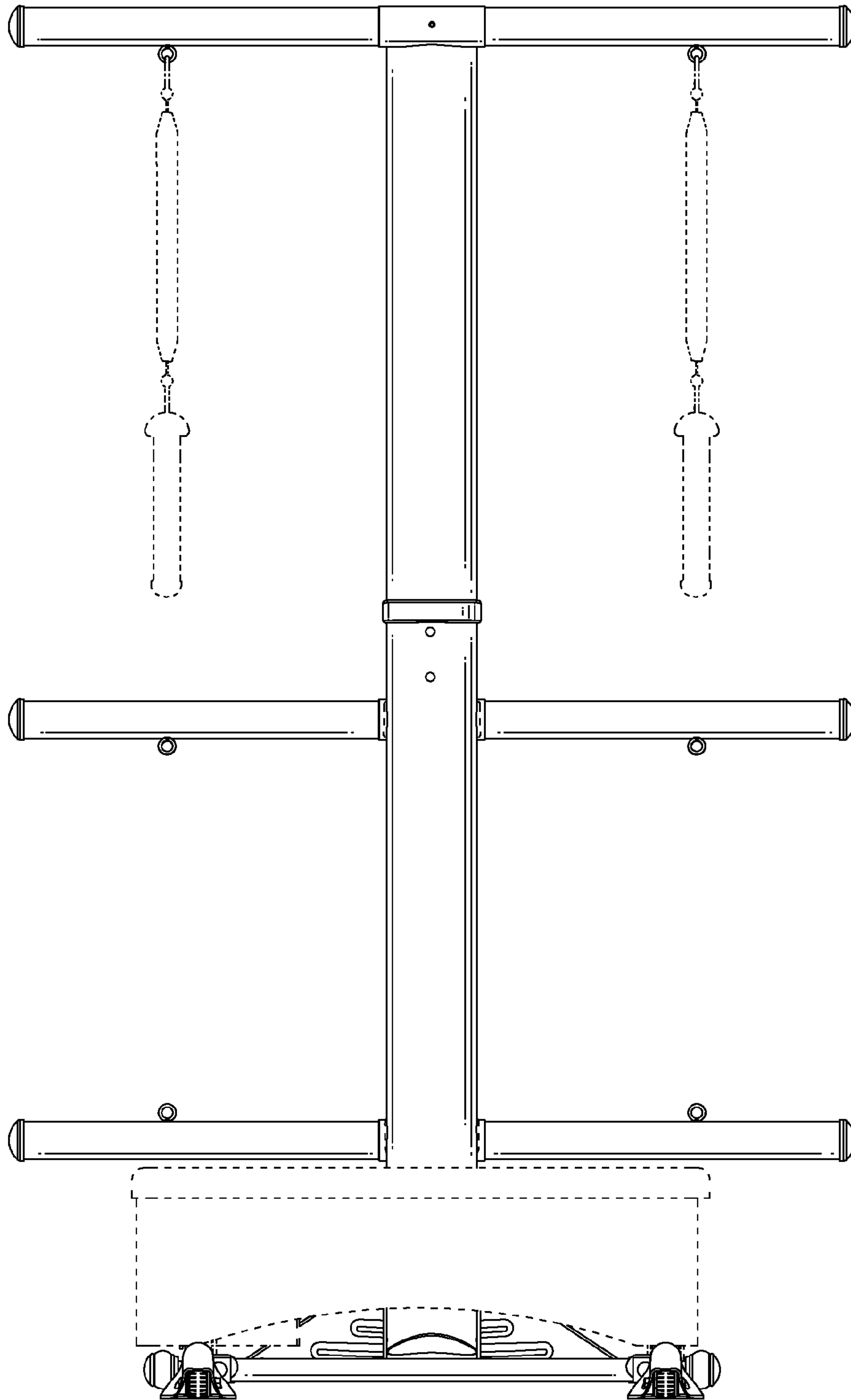


FIG.4

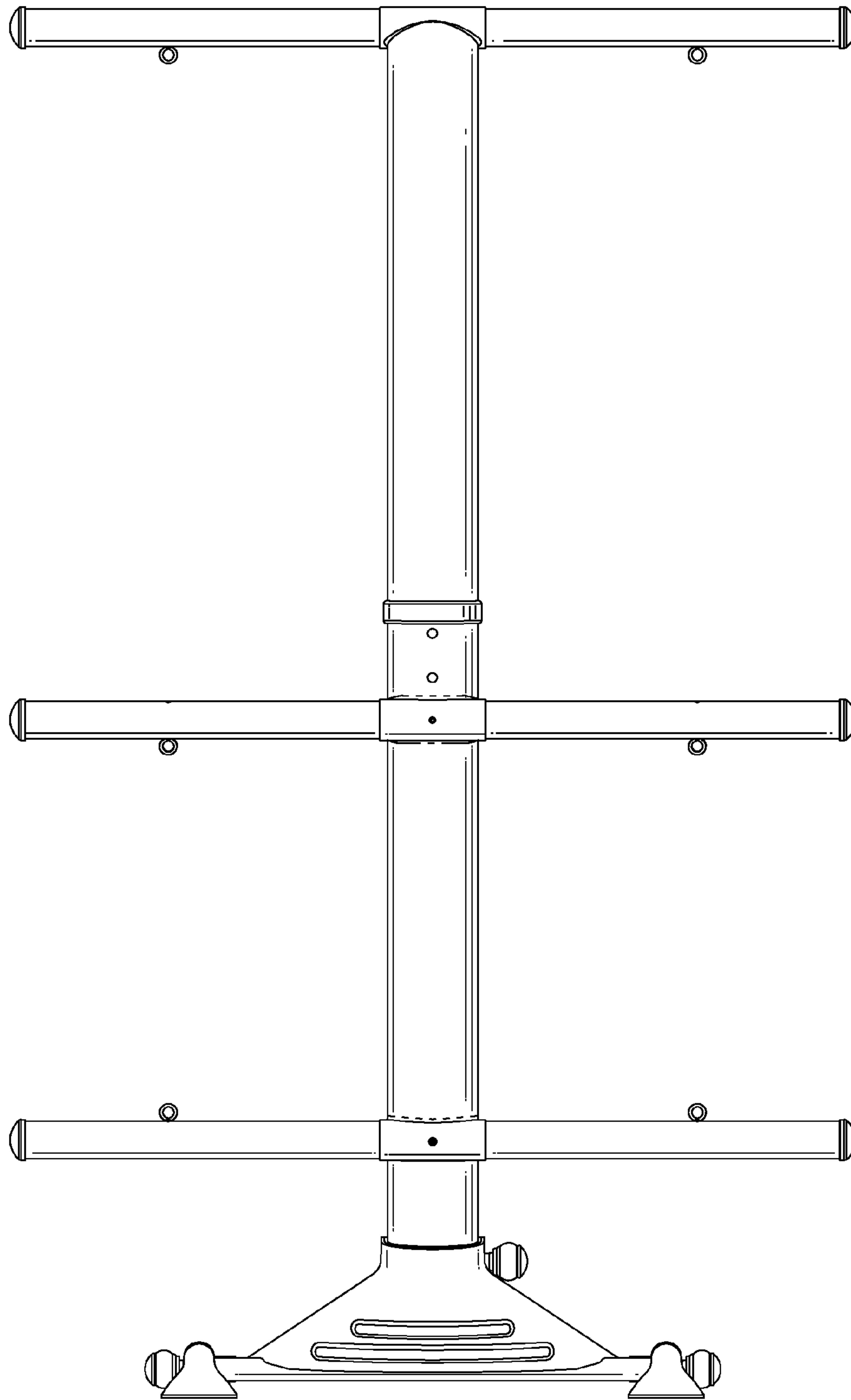


FIG. 5

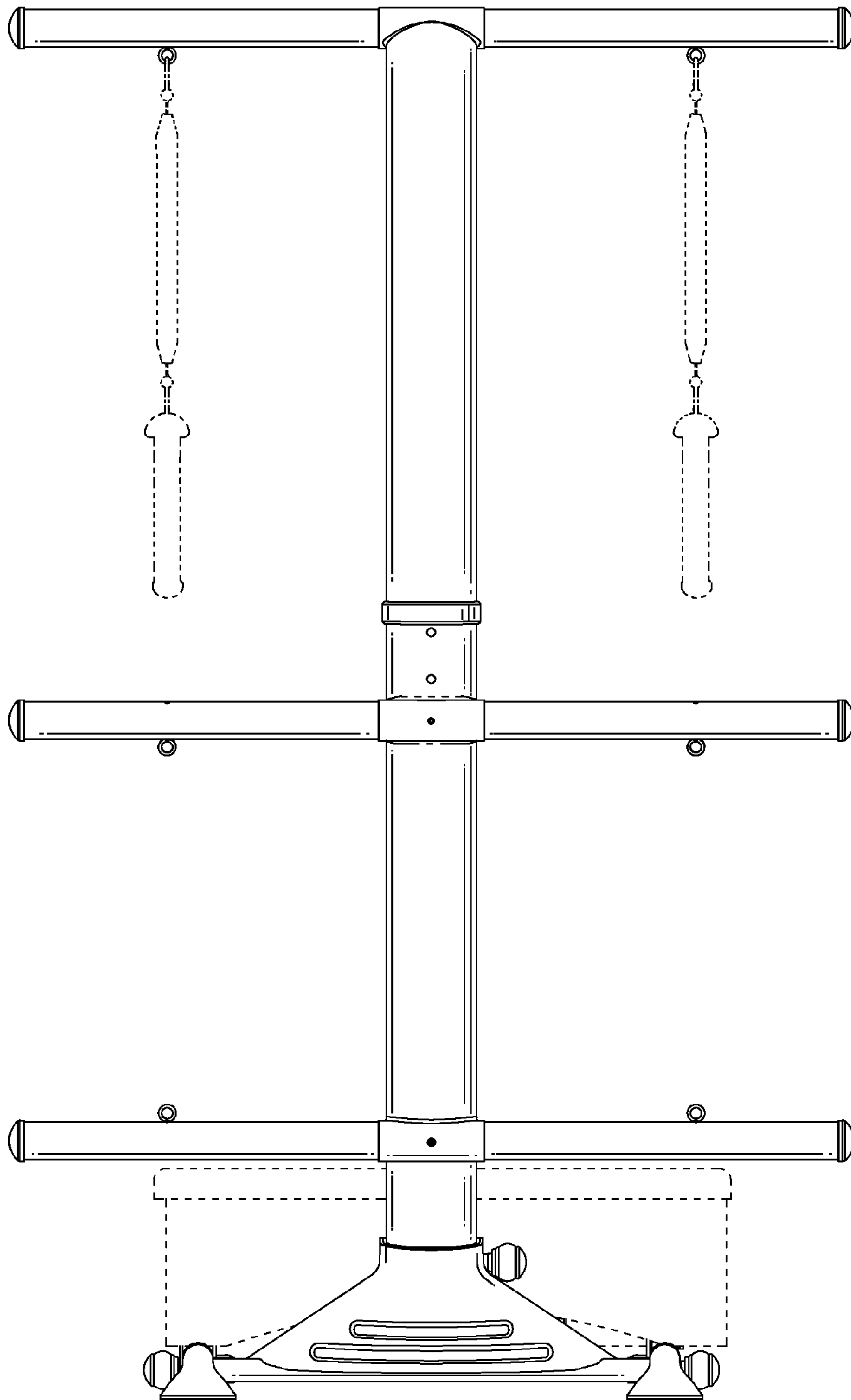


FIG. 6

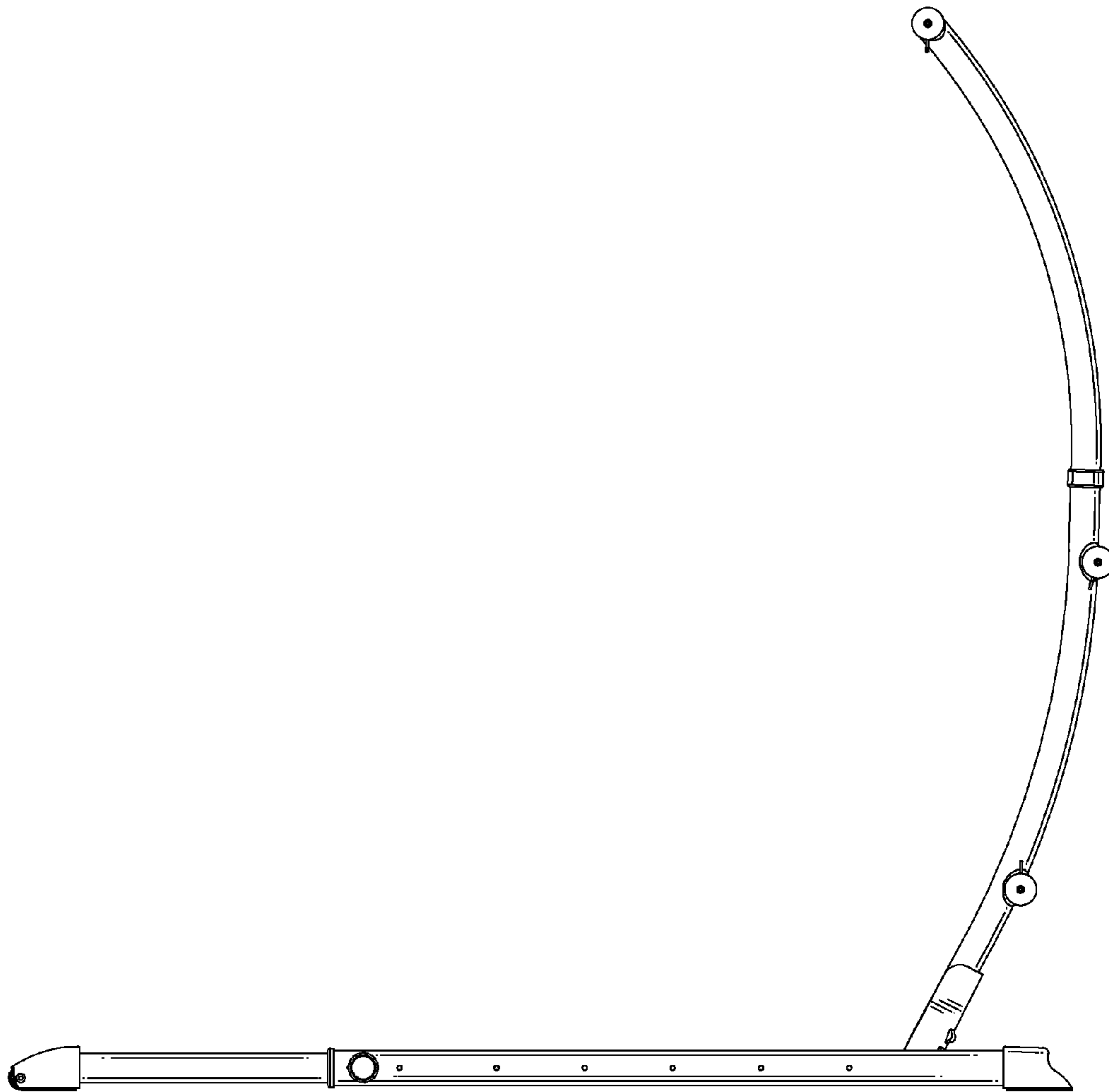


FIG.7

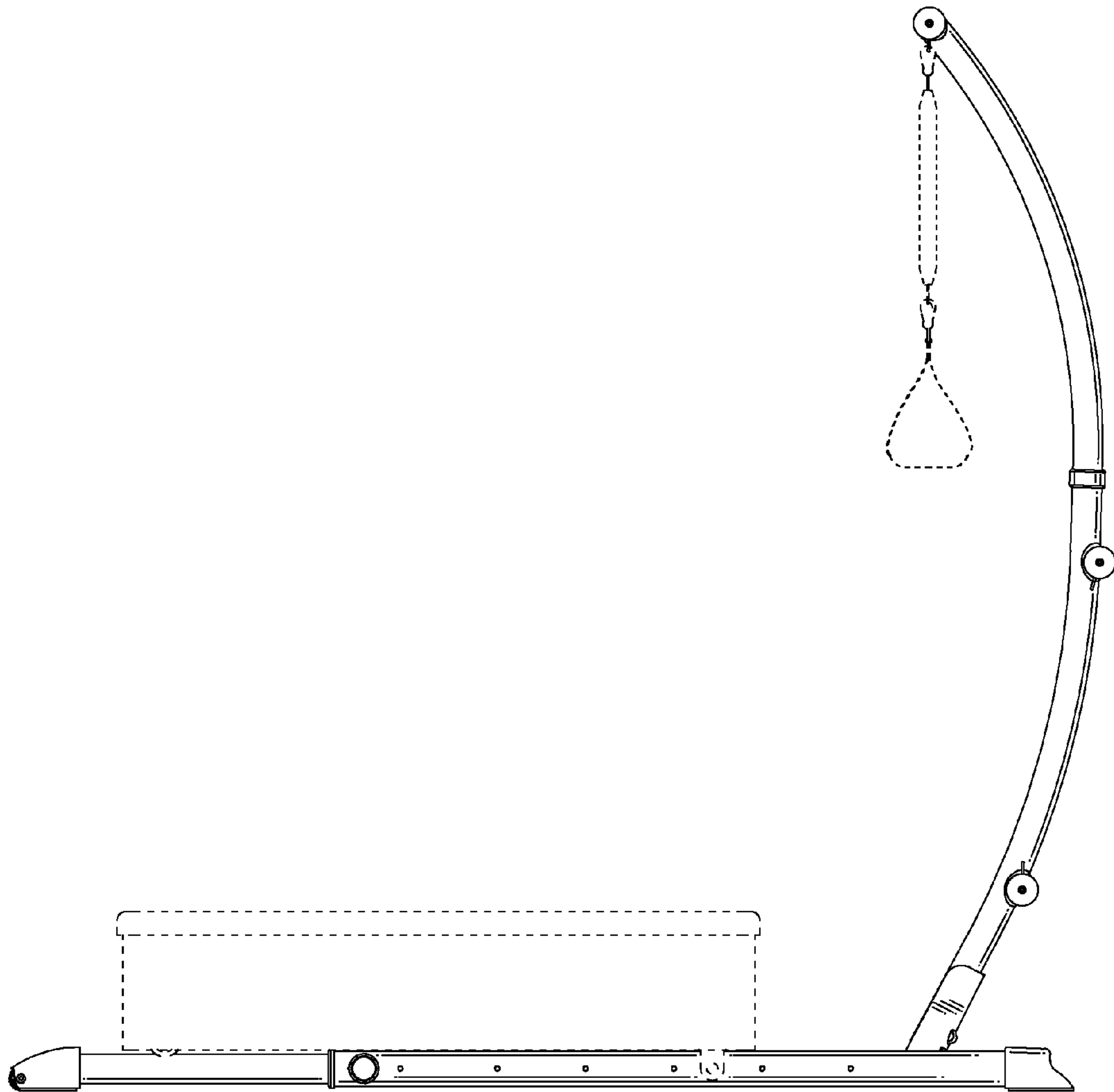


FIG.8

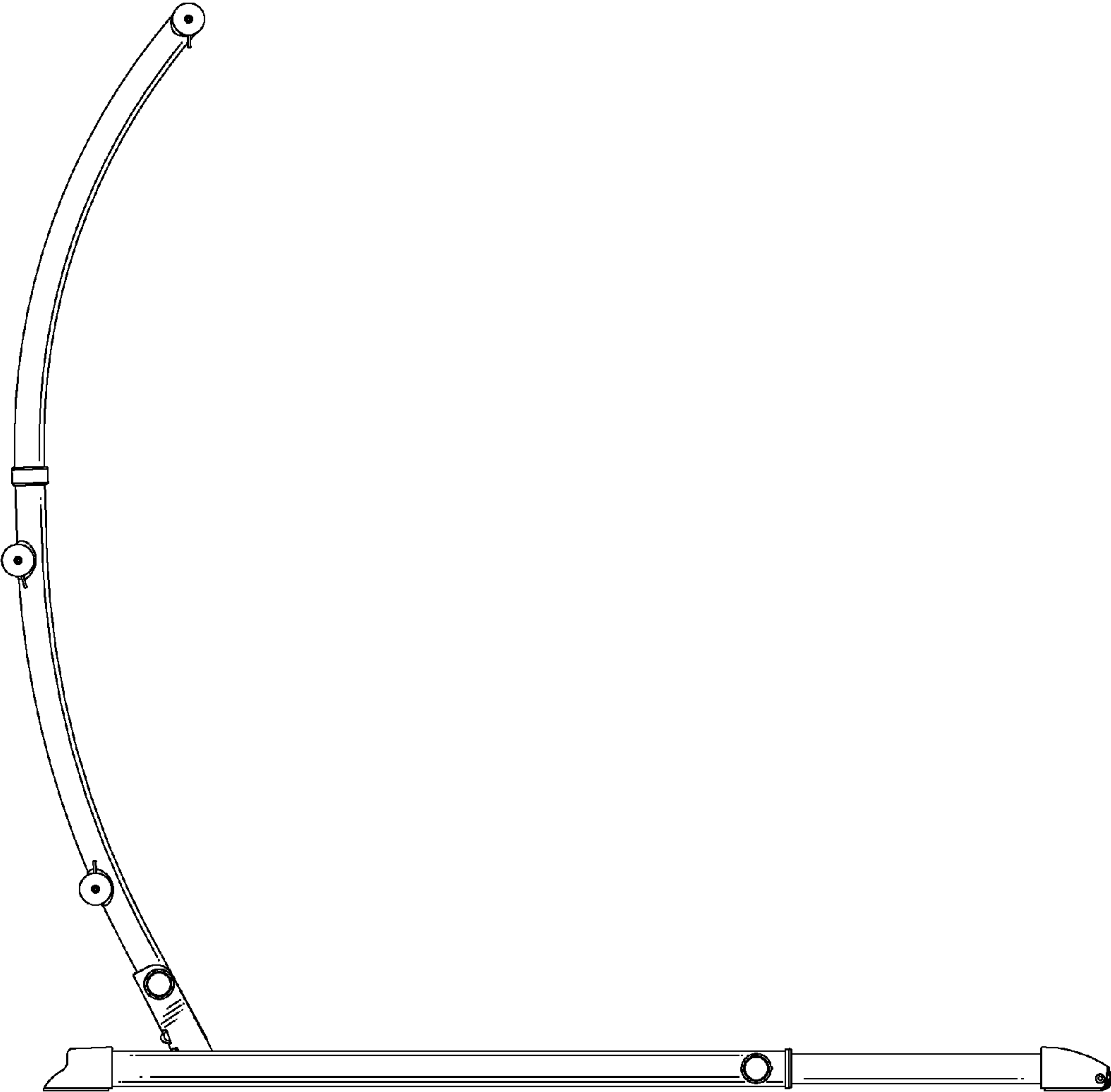


FIG.9

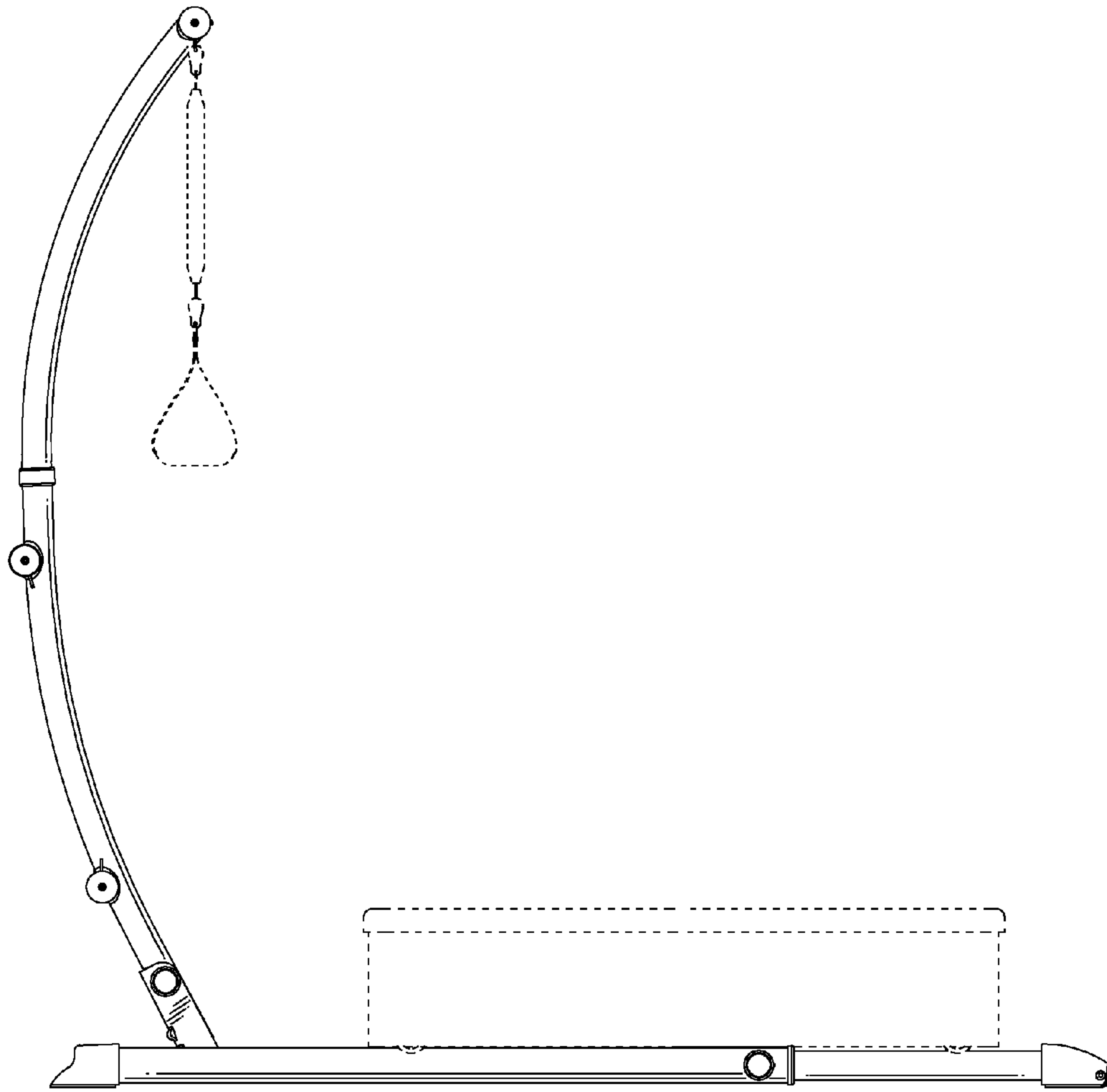


FIG.10

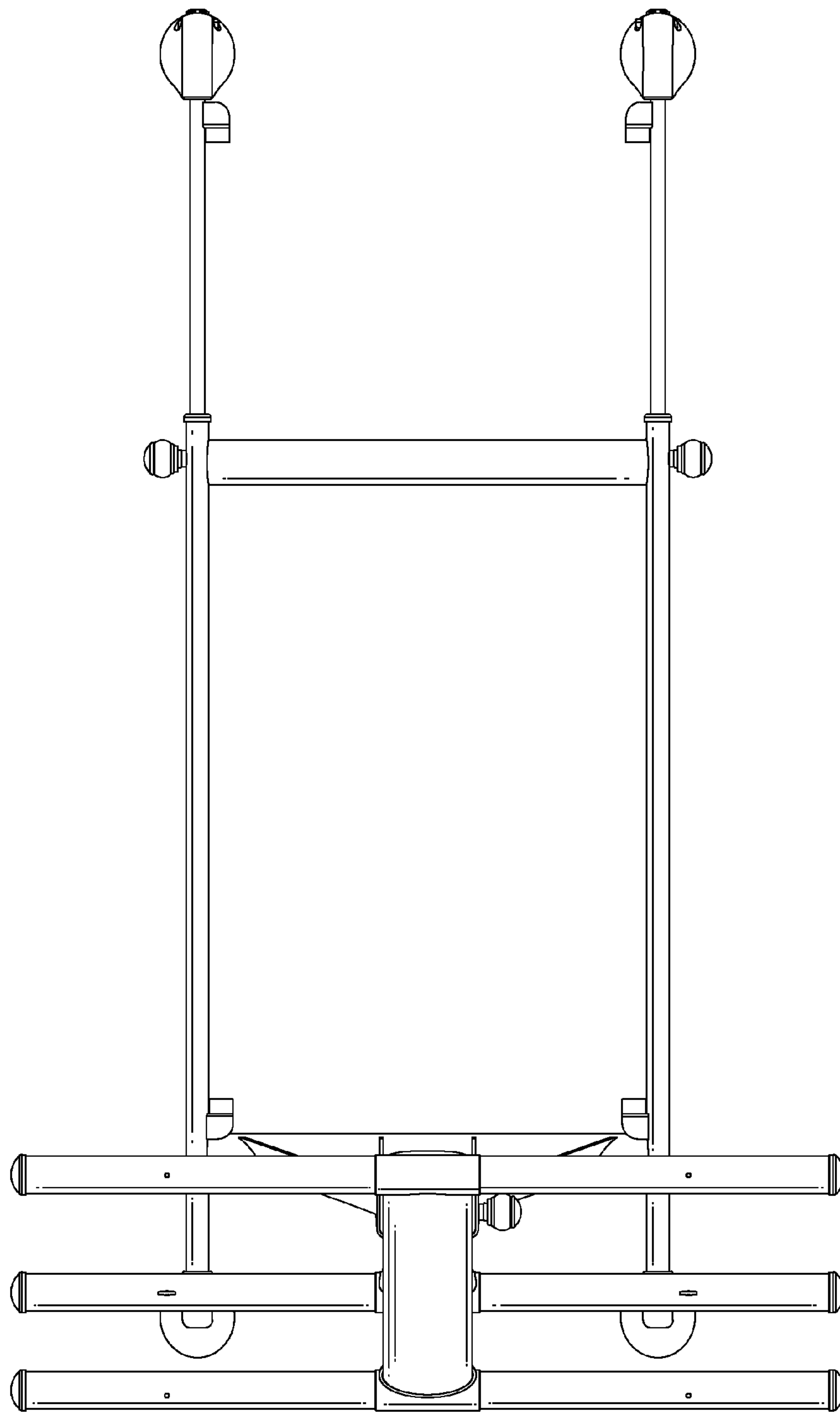


FIG.11

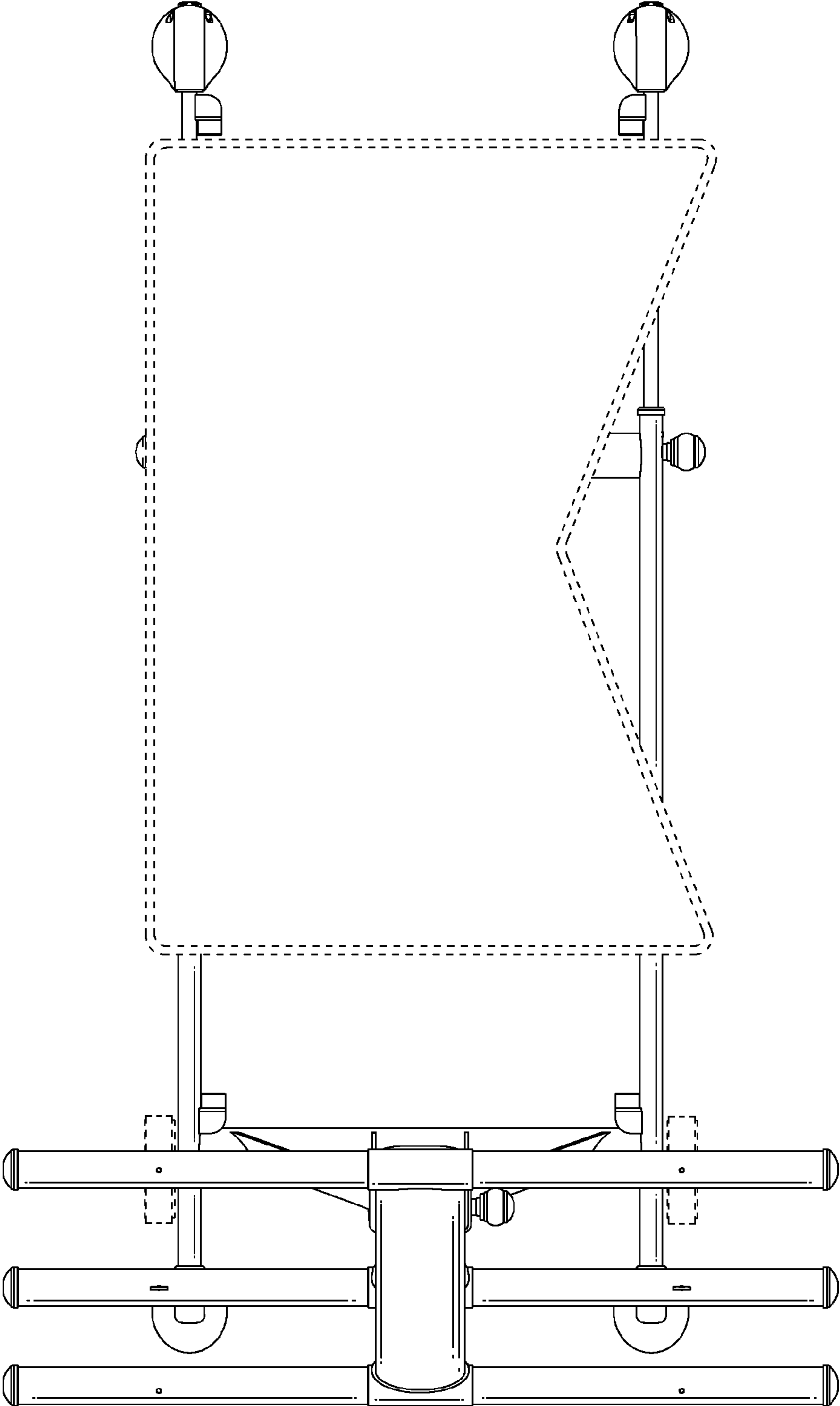


FIG.12

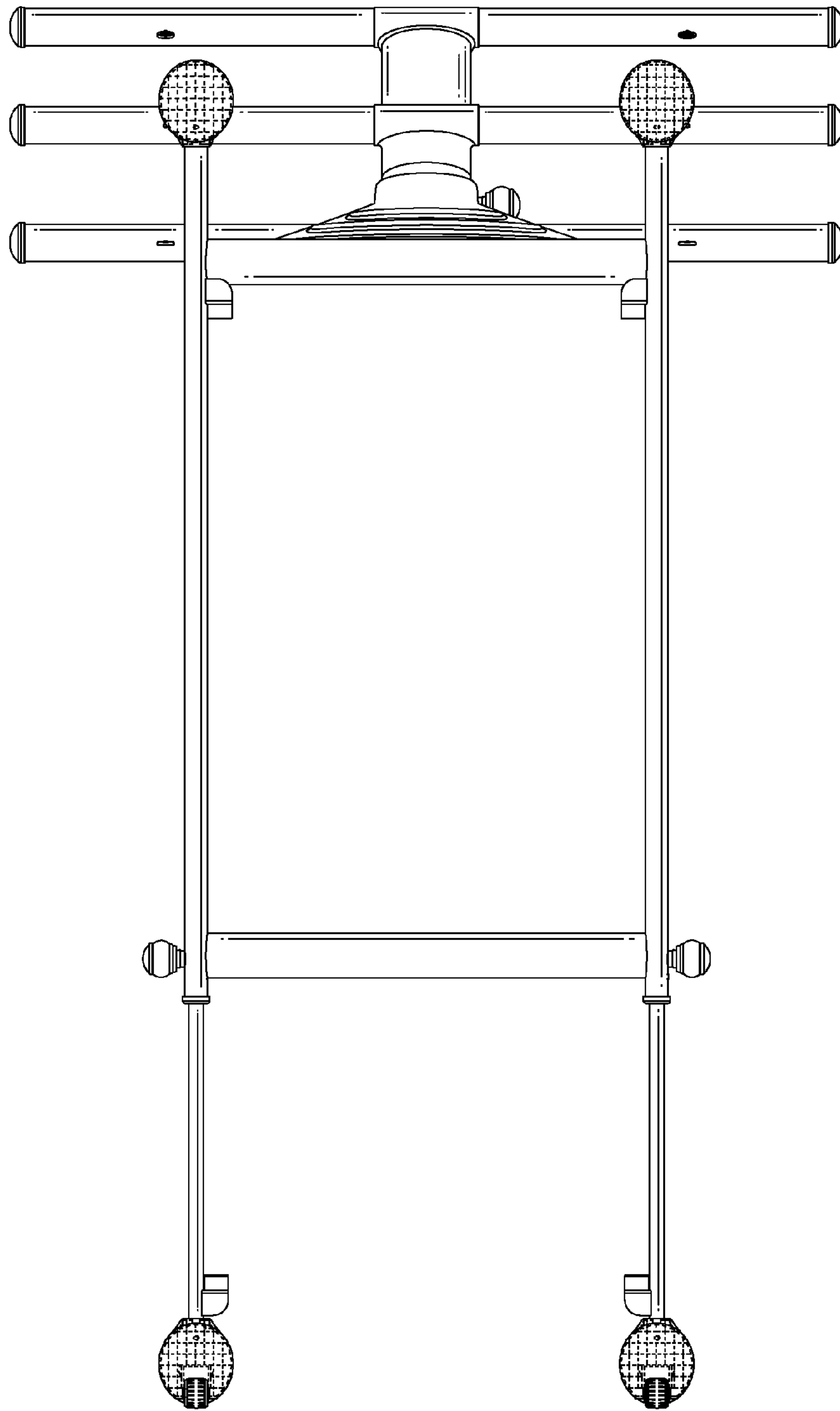


FIG.13

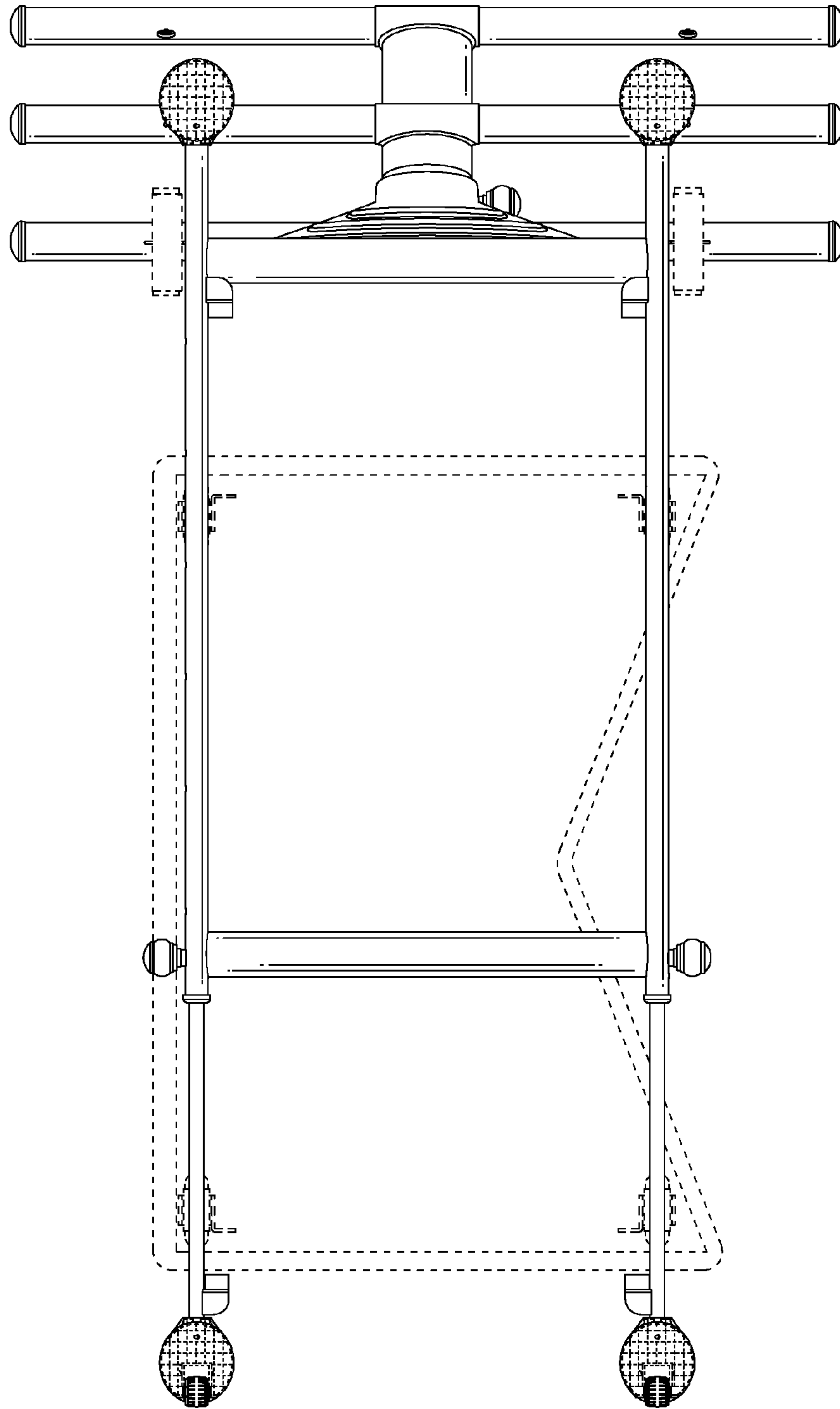


FIG.14