



US00D737385S

(12) **United States Design Patent**  
**Woniger et al.**

(10) **Patent No.:** **US D737,385 S**

(45) **Date of Patent:** **\*\* Aug. 25, 2015**

(54) **EXERCISE RISER**

2011/0207583 A1\* 8/2011 Elpers ..... 482/52  
2013/0217545 A1\* 8/2013 Orenstein et al. .... 482/52

(71) Applicant: **Zumba Fitness, LLC**, Hallandale, FL  
(US)

\* cited by examiner

(72) Inventors: **Jacklyn Woniger**, Evansville, IN (US);  
**Beau Shumate**, Mount Vernon, IN (US);  
**Alberto Perez**, Miami Beach, FL (US);  
**Andrew Spivak**, Los Angeles, CA (US);  
**Steven Duenas**, Miami, FL (US)

*Primary Examiner* — George D Kirschbaum  
*Assistant Examiner* — Jennifer Watkins  
(74) *Attorney, Agent, or Firm* — Mayback & Hoffman, P.A.;  
Gregory L. Mayback; Rebecca A. Tie

(73) Assignee: **Zumba Fitness, LLC**, Hallandale, FL  
(US)

(57) **CLAIM**

The ornamental design for an exercise riser, as shown and described.

(\*\*) Term: **14 Years**

**DESCRIPTION**

(21) Appl. No.: **29/461,344**

FIG. 1 is an elevational view of a front side of an exercise riser according to the present invention;  
FIG. 2 is an elevational view of a rear side thereof;  
FIG. 3 is an elevational view of a right side thereof;  
FIG. 4 is an elevational view of a left side thereof;  
FIG. 5 is a top plan view thereof;  
FIG. 6 is a perspective view of the front side thereof;  
FIG. 7 is a right side perspective view thereof;  
FIG. 8 is a left side perspective view thereof;  
FIG. 9 is a top front side perspective view thereof;  
FIG. 10 is a top right side perspective view thereof;  
FIG. 11 is a top right side perspective view thereof;  
FIG. 12 is a rear perspective view thereof;  
FIG. 13 is a left side perspective view thereof;  
FIG. 14 is a bottom perspective view thereof;  
FIG. 15 is a bottom plan view thereof; and,  
FIG. 16 is a bottom perspective view.

(22) Filed: **Jul. 22, 2013**

(51) **LOC (10) Cl.** ..... **21-02**

(52) **U.S. Cl.**  
USPC ..... **D21/671**; D21/686

(58) **Field of Classification Search**  
USPC ..... D21/686, 671; D6/349; 482/52  
CPC .. A63B 22/18; A63B 23/0458; A63B 26/003;  
A47C 12/02; A47C 3/20; A47C 13/00;  
A47C 3/18

See application file for complete search history.

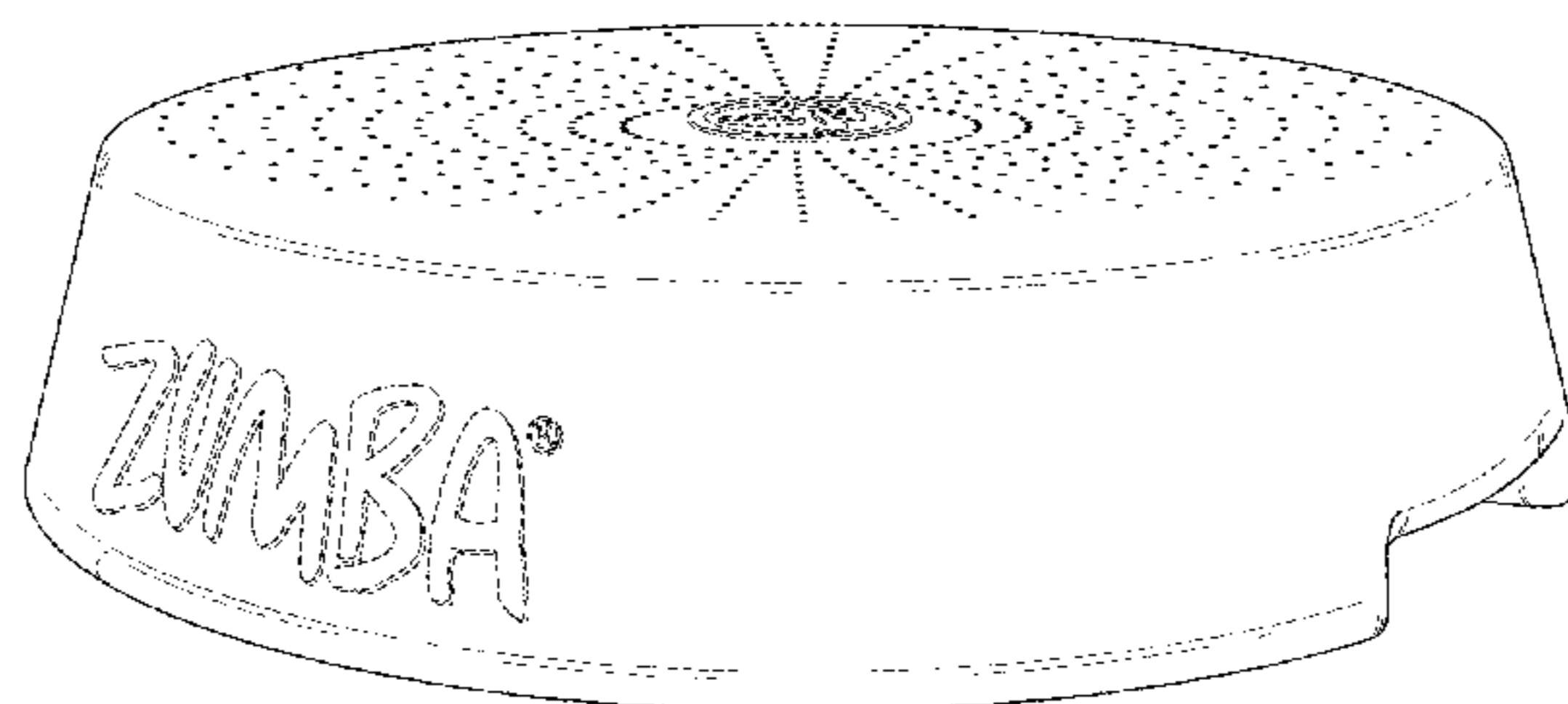
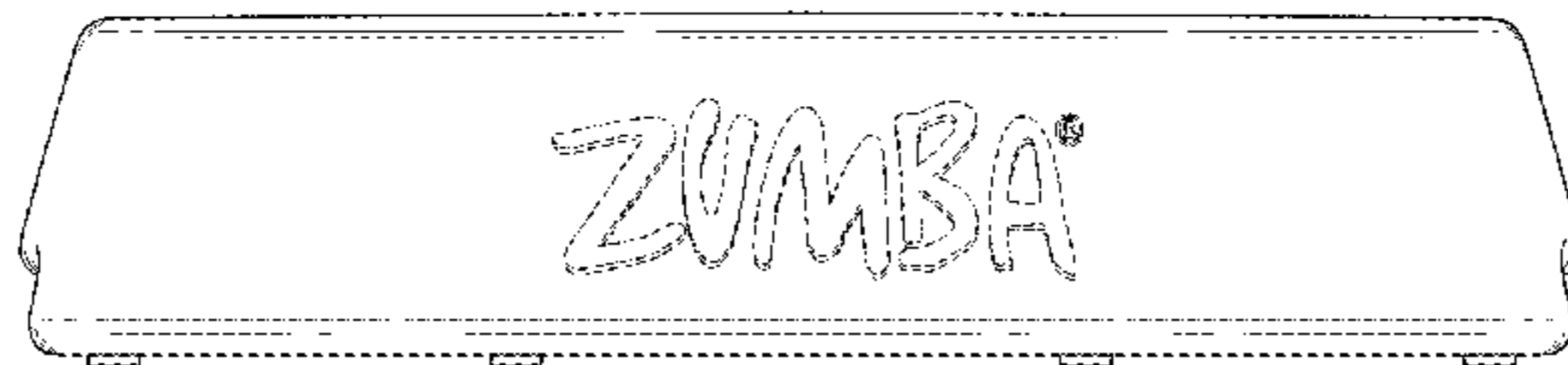
(56) **References Cited**

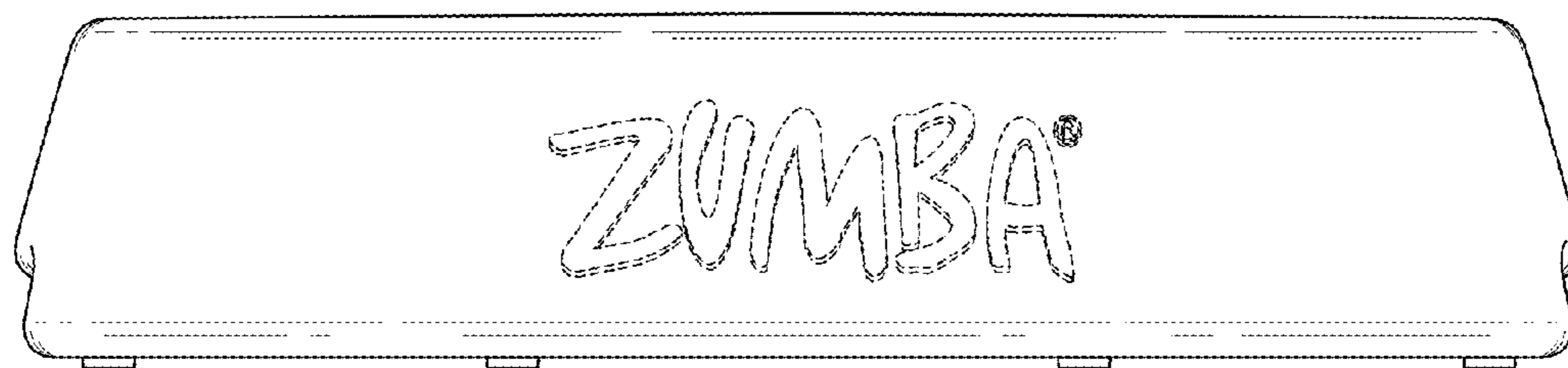
**U.S. PATENT DOCUMENTS**

4,159,826	A *	7/1979	Hancock	.....	482/26
5,154,678	A *	10/1992	Adamczyk et al.	.....	482/52
D408,555	S *	4/1999	Albrecht	.....	D25/65
D449,357	S *	10/2001	Monter Villar et al.	.....	D21/686
D566,978	S *	4/2008	Gonzalez	.....	D6/350
D625,931	S *	10/2010	Estrup	.....	D6/349
D679,923	S *	4/2013	Corcorran et al.	.....	D6/708
D681,138	S *	4/2013	Hodgkins	.....	D21/686
D681,750	S *	5/2013	Meyer-Hayoz	.....	D21/686
8,460,161	B2 *	6/2013	Cole et al.	.....	482/52
8,814,768	B1 *	8/2014	Yang et al.	.....	482/147

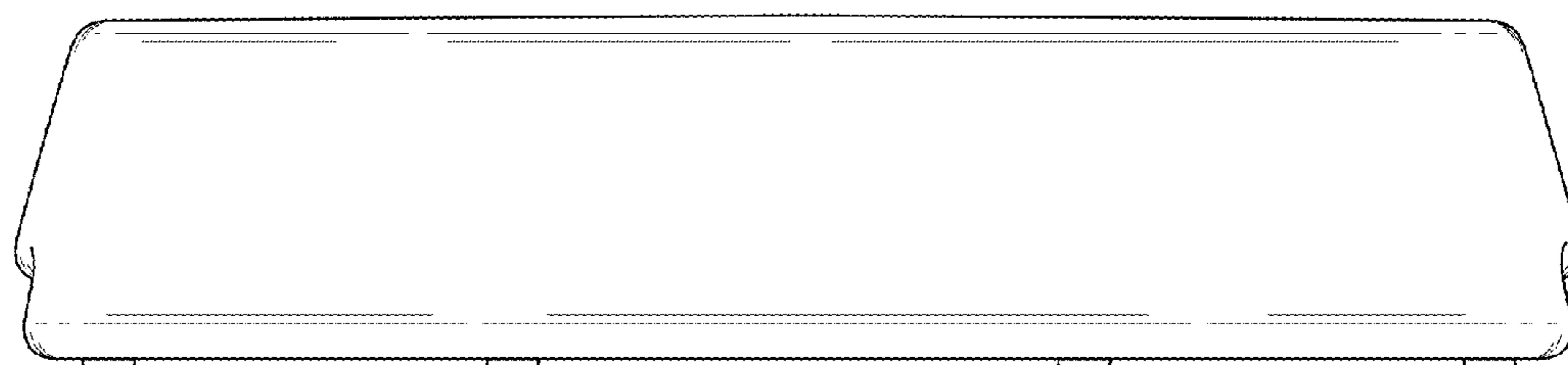
The broken lines indicating the word "ZUMBA®" in FIGS. 1, 3, 4, 5-10, 11, and 13 do not form a part of the claimed design. The broken line design in the center of the top surface of the exercise riser in FIGS. 5 and 9-13 does not form a part of the claimed design. The broken lines showing indentations on the bottom of the exercise riser in FIGS. 14-16 are for the purpose of illustrating portions of the exercise riser that do not form a part of the claimed design.

**1 Claim, 8 Drawing Sheets**

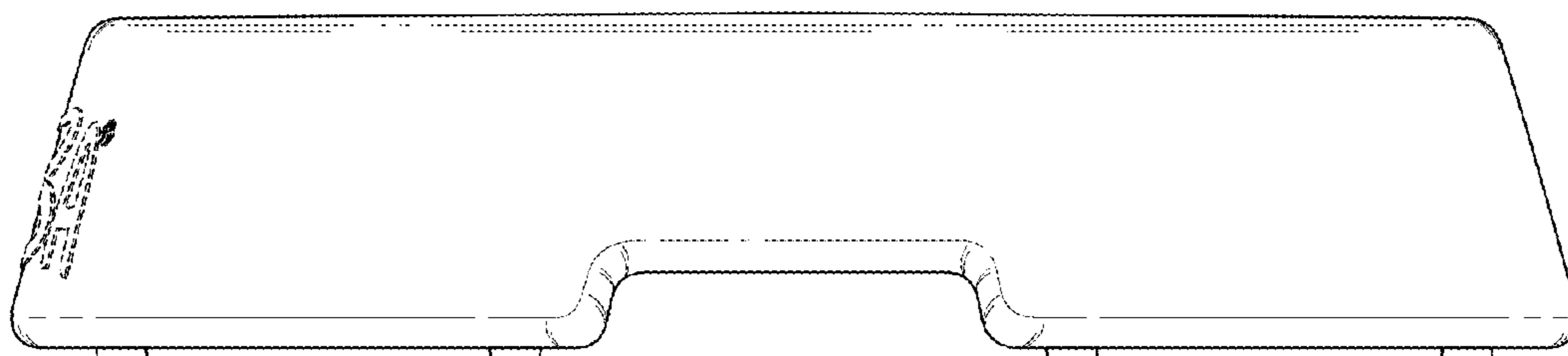




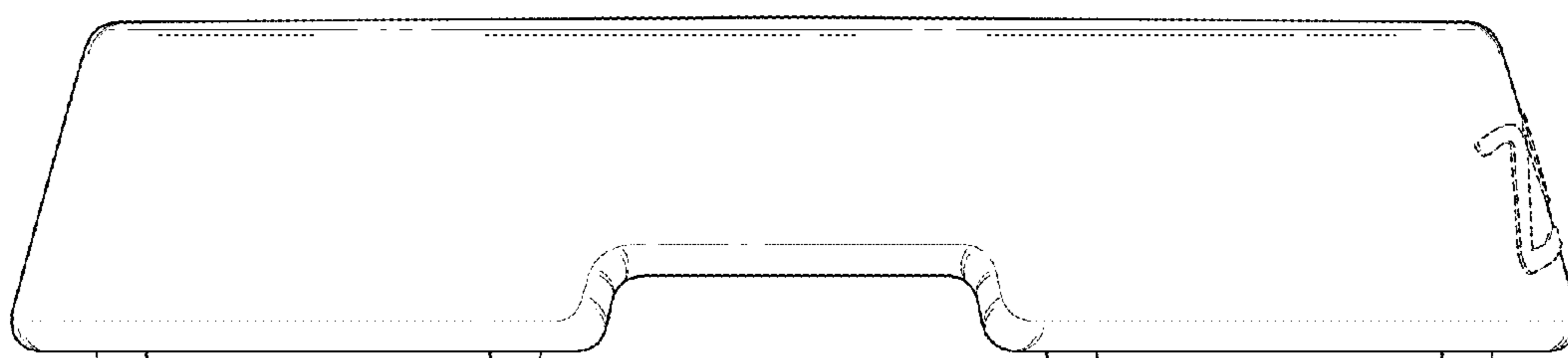
**FIG. 1**



**FIG. 2**



**FIG. 3**



**FIG. 4**

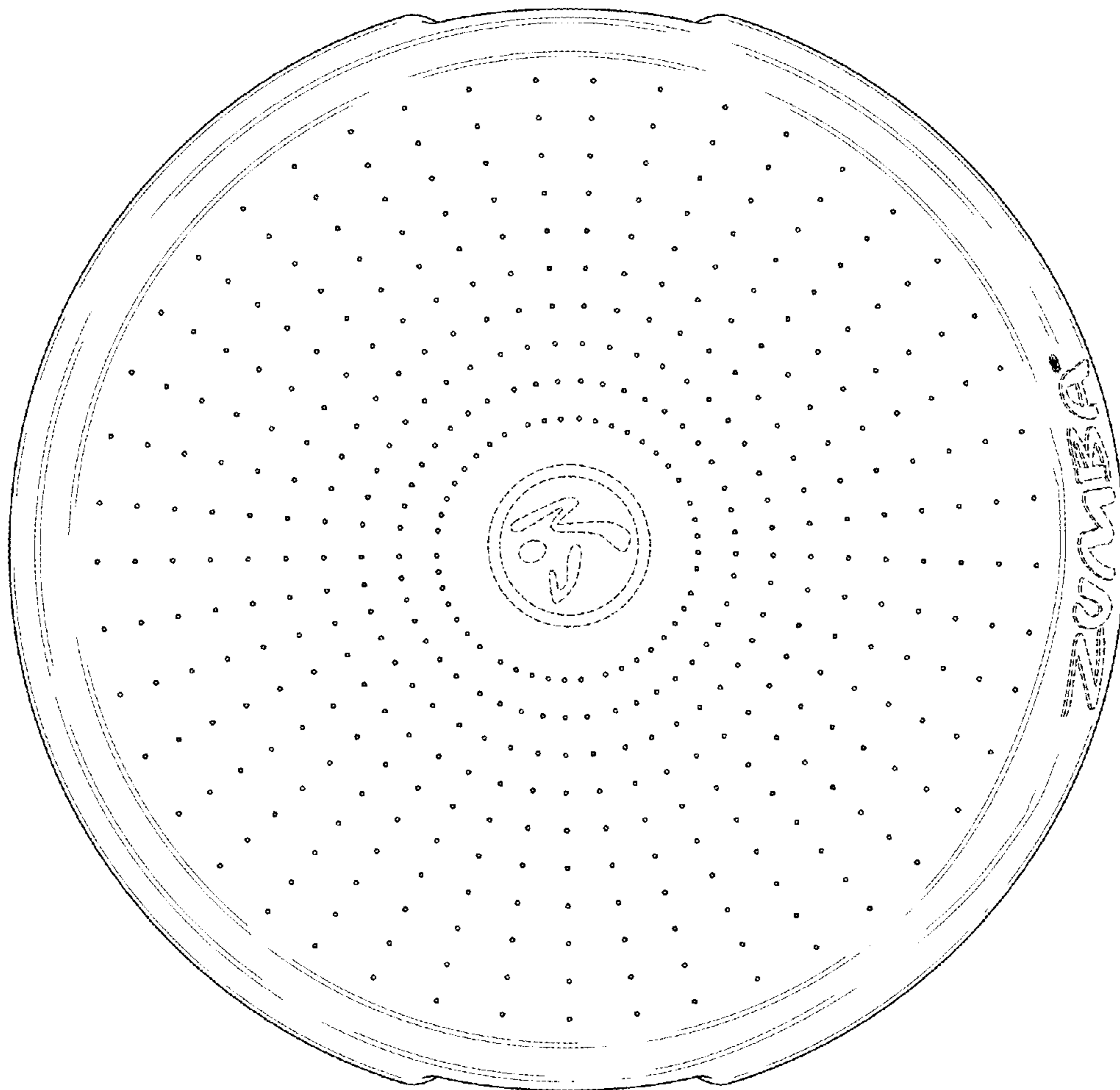


FIG. 5

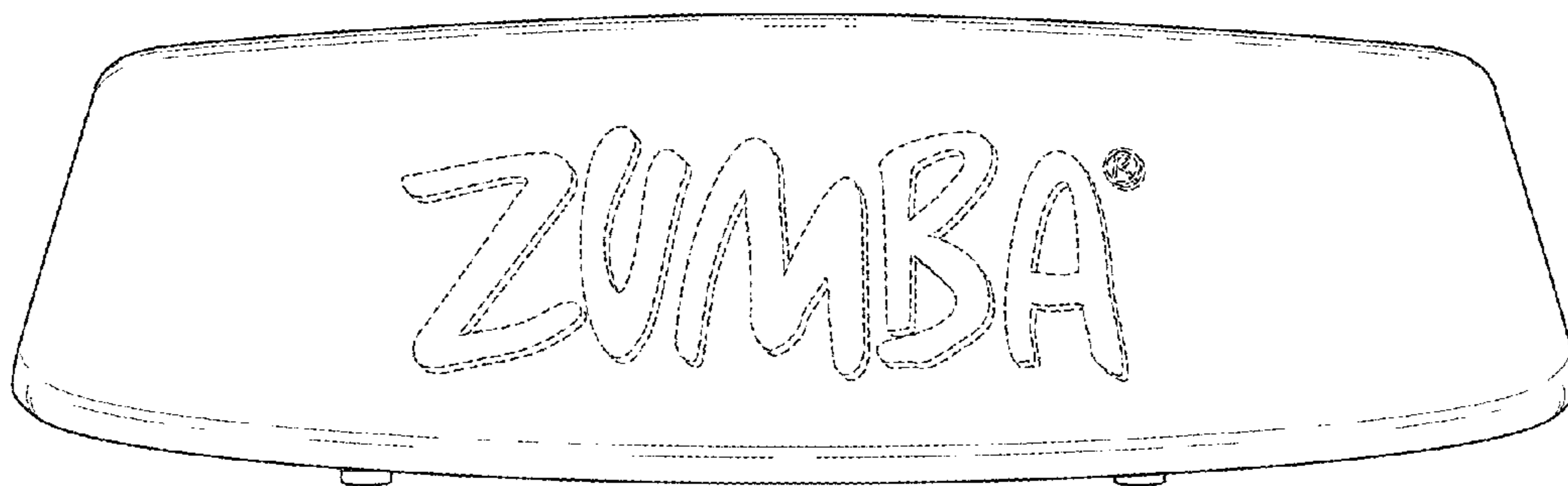


FIG. 6

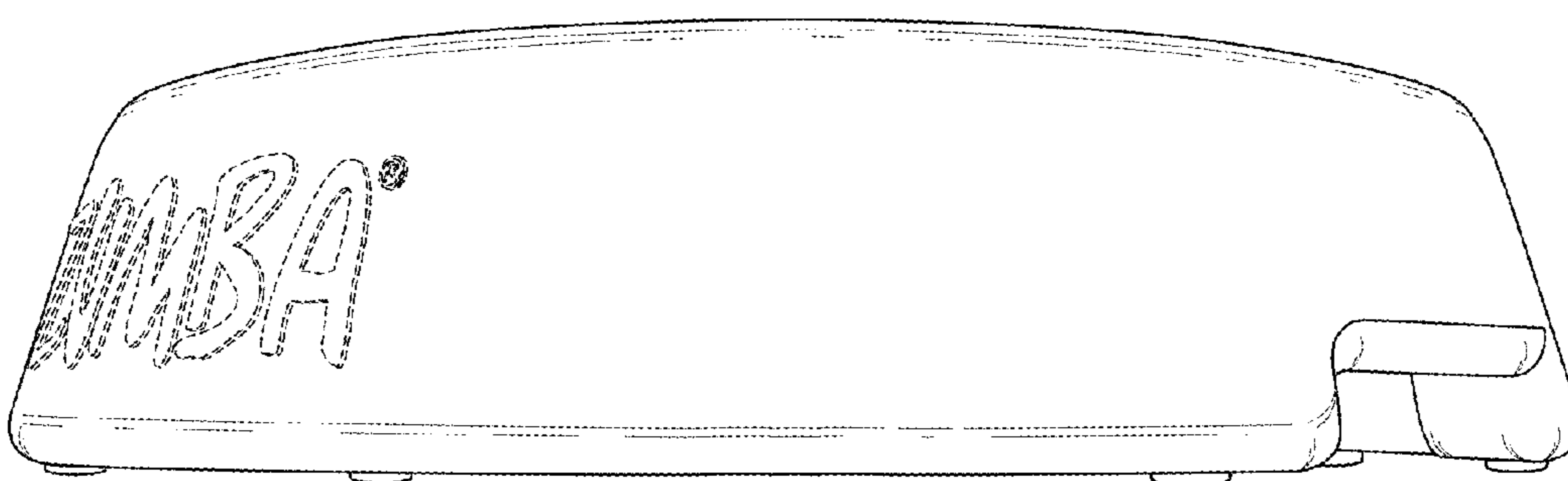


FIG. 7

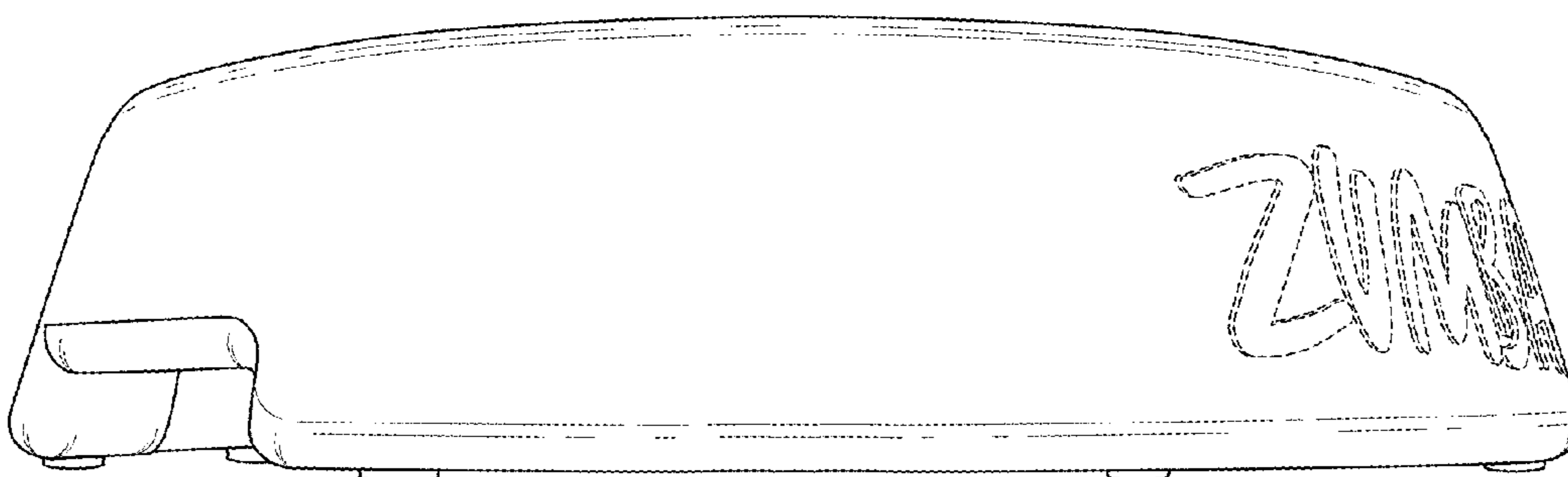


FIG. 8

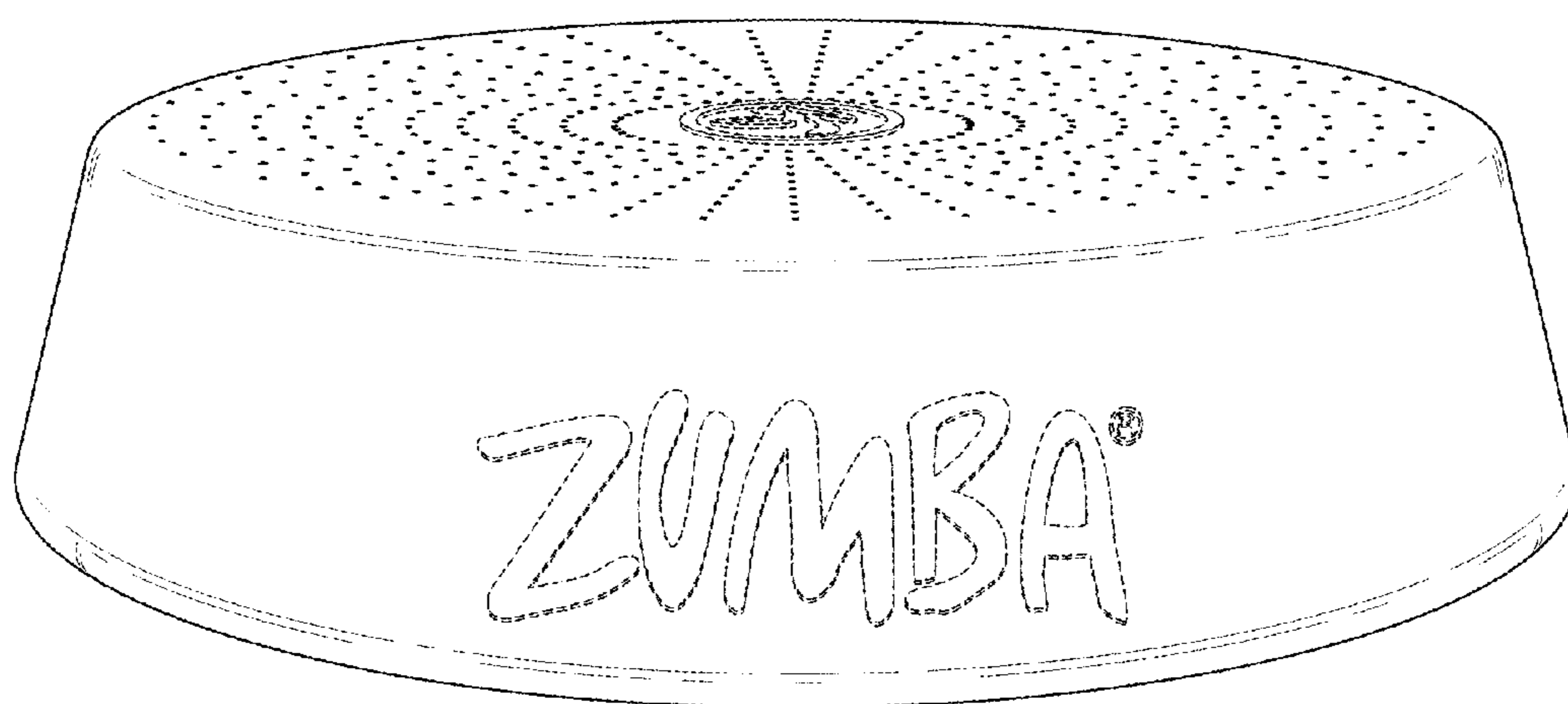


FIG. 9

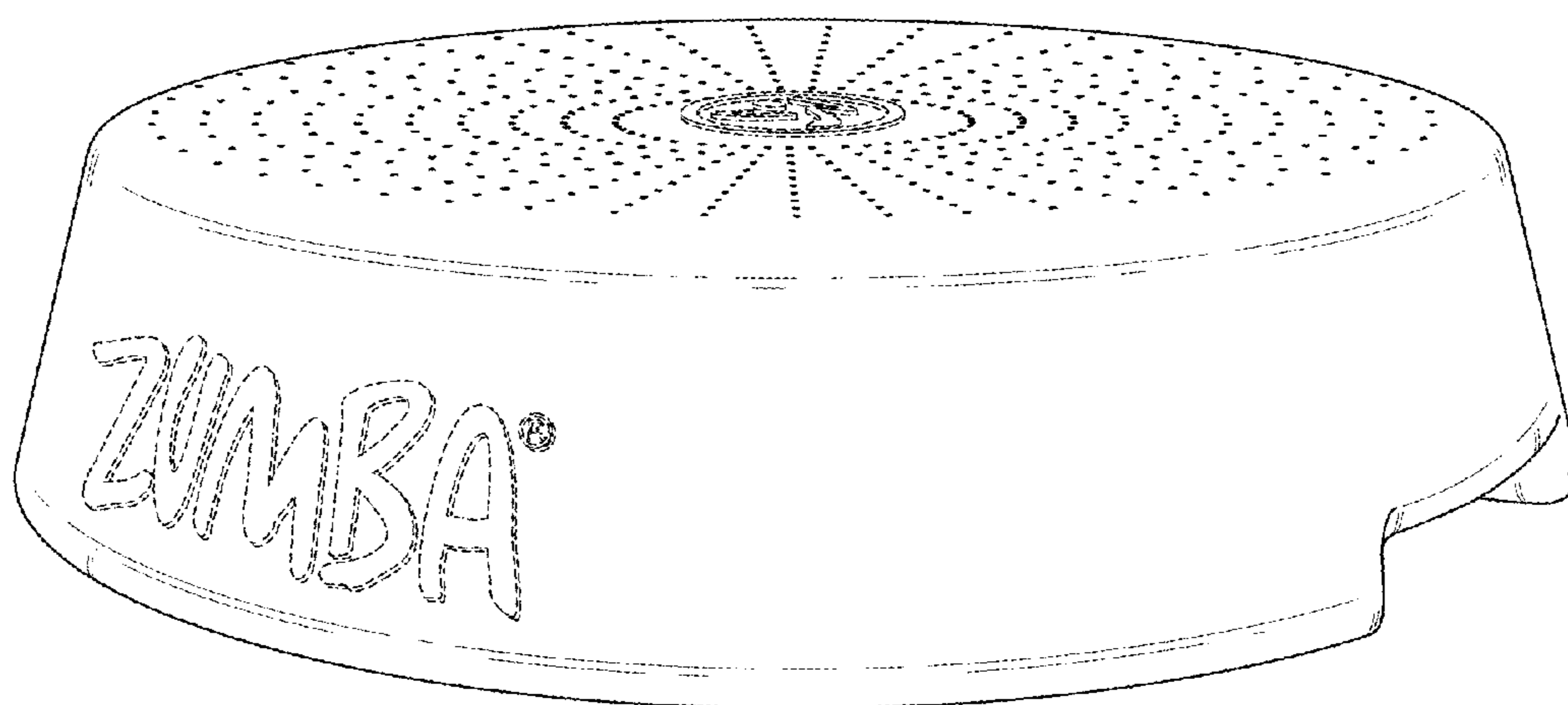


FIG. 10

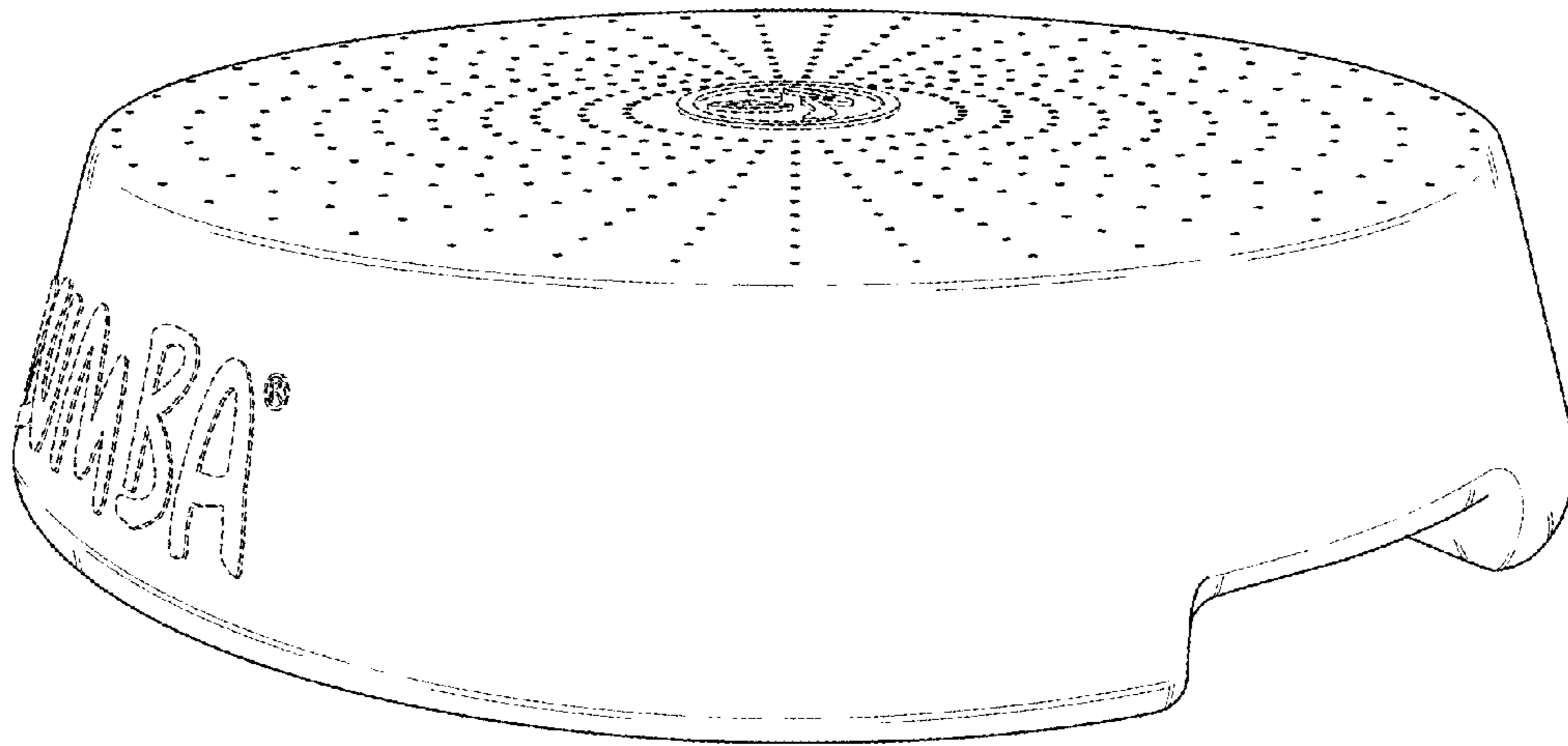


FIG. 11

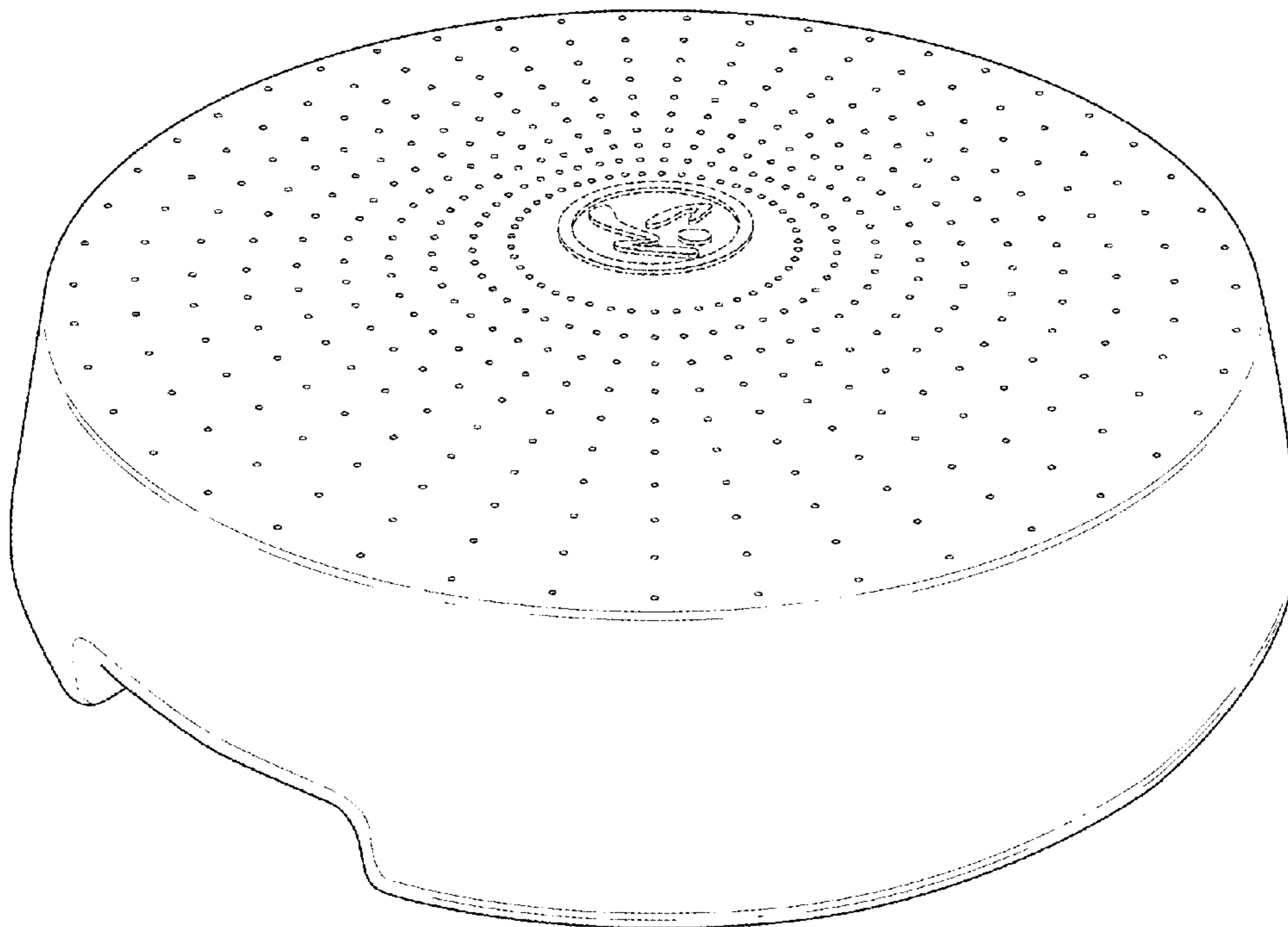


FIG. 12

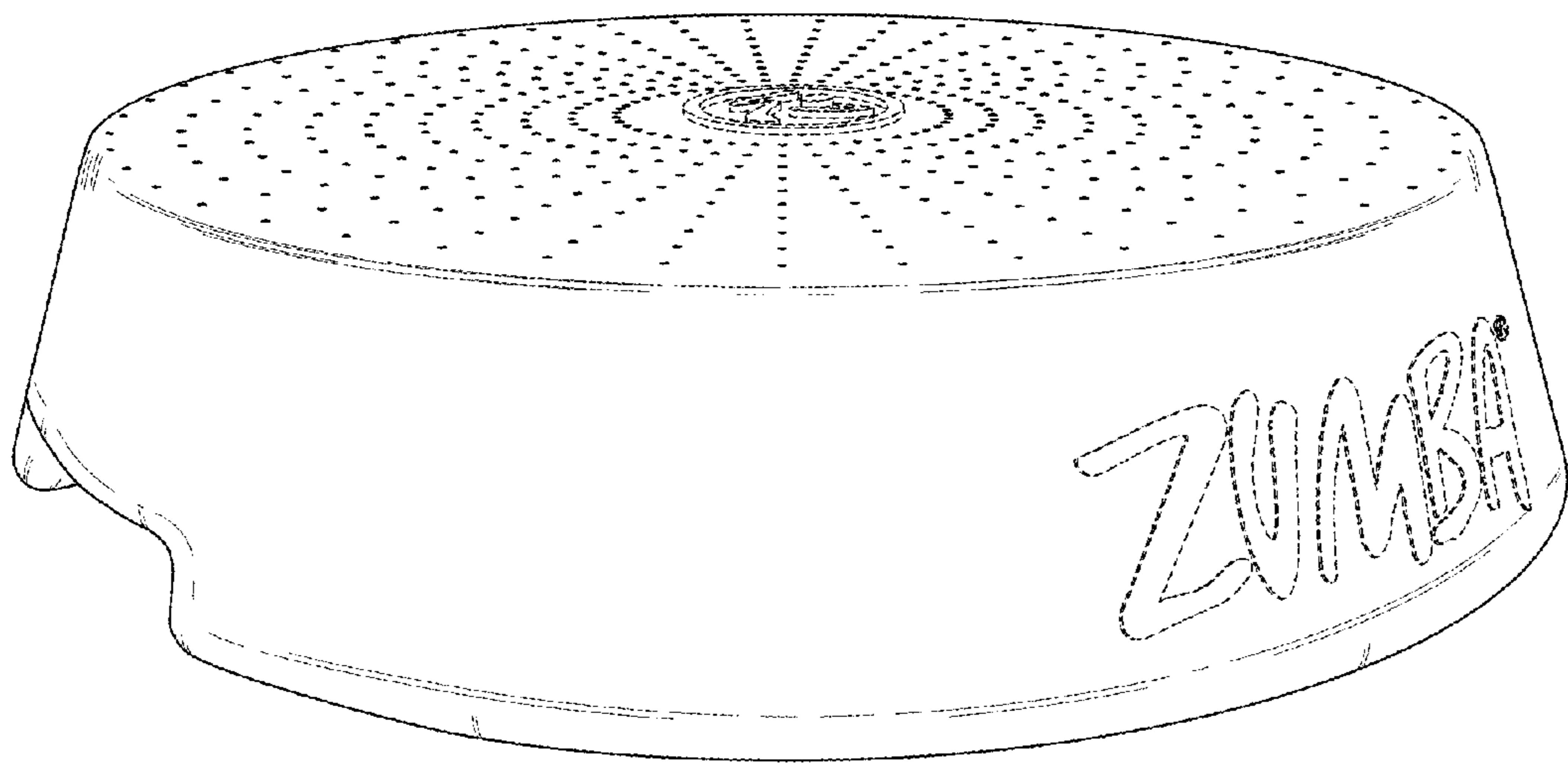


FIG. 13

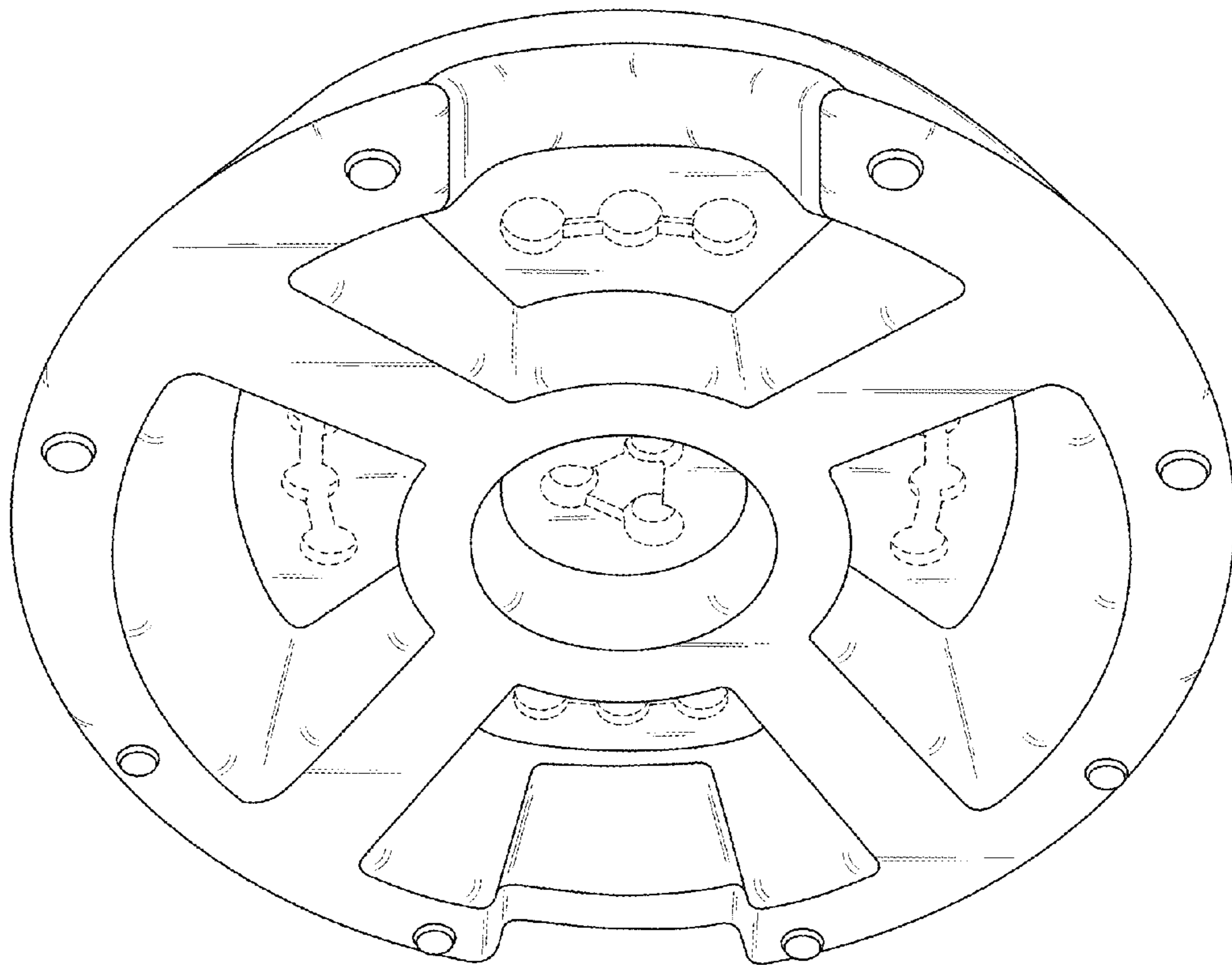


FIG. 14

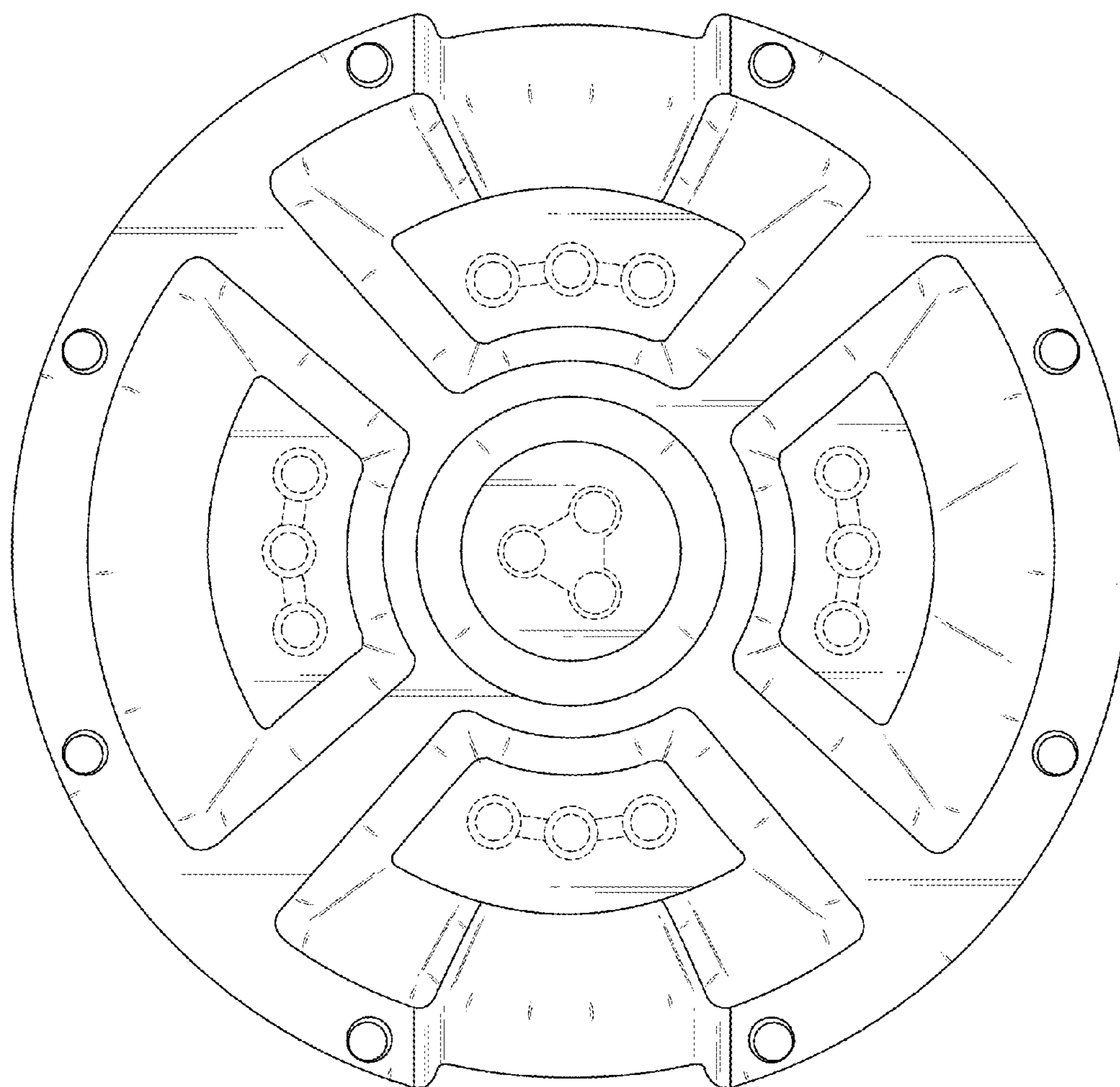
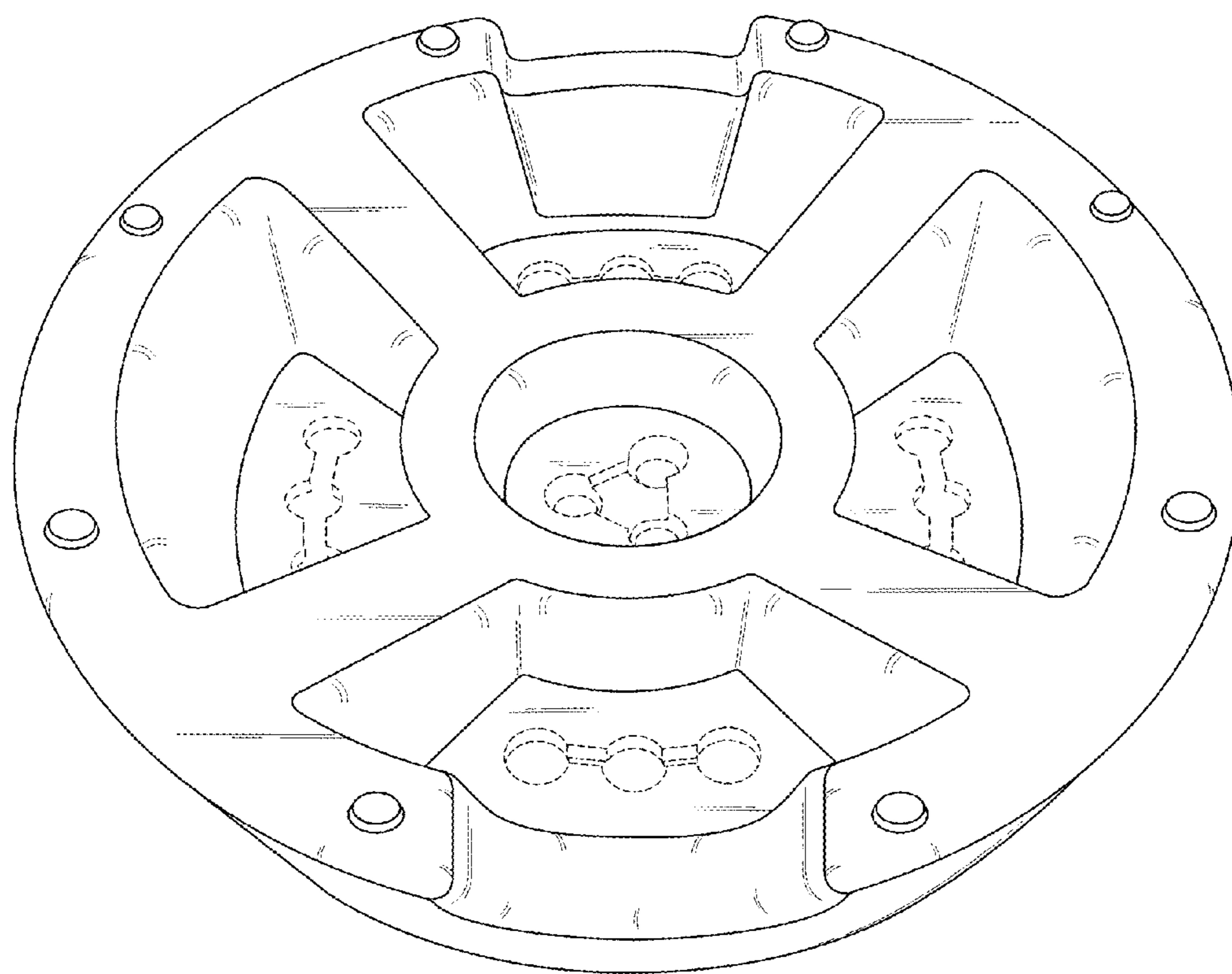


FIG. 15





**FIG. 16**