

US00D737384S

(12) **United States Design Patent**
Wood

(10) **Patent No.:** **US D737,384 S**

(45) **Date of Patent:** **** Aug. 25, 2015**

- (54) **EXERCISE APPARATUS FOR PUNCHING**
- (71) Applicant: **Nathan Richard Wood**, Stanmore (AU)
- (72) Inventor: **Nathan Richard Wood**, Stanmore (AU)
- (73) Assignee: **Nathan Richard Wood**, Stanmore, New South Wales (AU)

6,685,581	B2 *	2/2004	Krause et al.	473/445
7,942,791	B1 *	5/2011	Yocum	482/83
9,017,227	B1 *	4/2015	Vargas	482/83
2008/0008984	A1 *	1/2008	McDonald	434/247
2010/0130329	A1	5/2010	Sullivan et al.	
2010/0222184	A1 *	9/2010	Mannarino	482/83
2012/0165138	A1 *	6/2012	Smith	473/451
2014/0066267	A1 *	3/2014	Solah	482/83
2014/0148314	A1 *	5/2014	Schlicher	482/87
2014/0309082	A1 *	10/2014	Iglehart	482/9

(**) Term: **14 Years**

(21) Appl. No.: **29/481,703**

(22) Filed: **Feb. 10, 2014**

(51) **LOC (10) Cl.** **21-02**

(52) **U.S. Cl.**
USPC **D21/662; D21/787; D21/798**

(58) **Field of Classification Search**
USPC **D6/661.2; D21/662, 327, 787; D25/16, D25/32; 482/9, 87, 83, 86, 3, 902, 8, 84, 482/901, 88, 90, 35, 38, 41, 89; 473/451, 473/422, 445, 441; 434/247; 273/445, 408; 73/12.04, 379.04**

See application file for complete search history.

(56) **References Cited**

U.S. PATENT DOCUMENTS

4,088,315	A *	5/1978	Schemmel	482/4
D248,982	S *	8/1978	Cook	D21/327
4,201,379	A *	5/1980	Williams	482/86
4,546,966	A *	10/1985	Segura	482/88
4,974,833	A *	12/1990	Hartman et al.	482/3
5,013,039	A *	5/1991	Cole	473/445
D384,378	S *	9/1997	Sigler	D21/787
D410,986	S *	6/1999	Luedke et al.	D21/798
5,921,896	A *	7/1999	Boland	482/83
5,971,398	A *	10/1999	Broussard et al.	273/408
6,110,079	A *	8/2000	Luedke et al.	482/83
6,241,640	B1 *	6/2001	Chu	482/83

FOREIGN PATENT DOCUMENTS

GB 2439723 1/2008

* cited by examiner

Primary Examiner — Robert M. Spear

Assistant Examiner — Ryan Harvey

(74) *Attorney, Agent, or Firm* — Rankin, Hill & Clark LLP

(57) **CLAIM**

The ornamental design for an exercise apparatus for punching, as shown and described.

DESCRIPTION

FIG. 1 is a right perspective view of an exercise apparatus for punching;

FIG. 2 is a left perspective view thereof;

FIG. 3 is a front perspective view thereof;

FIG. 4 is a top view thereof;

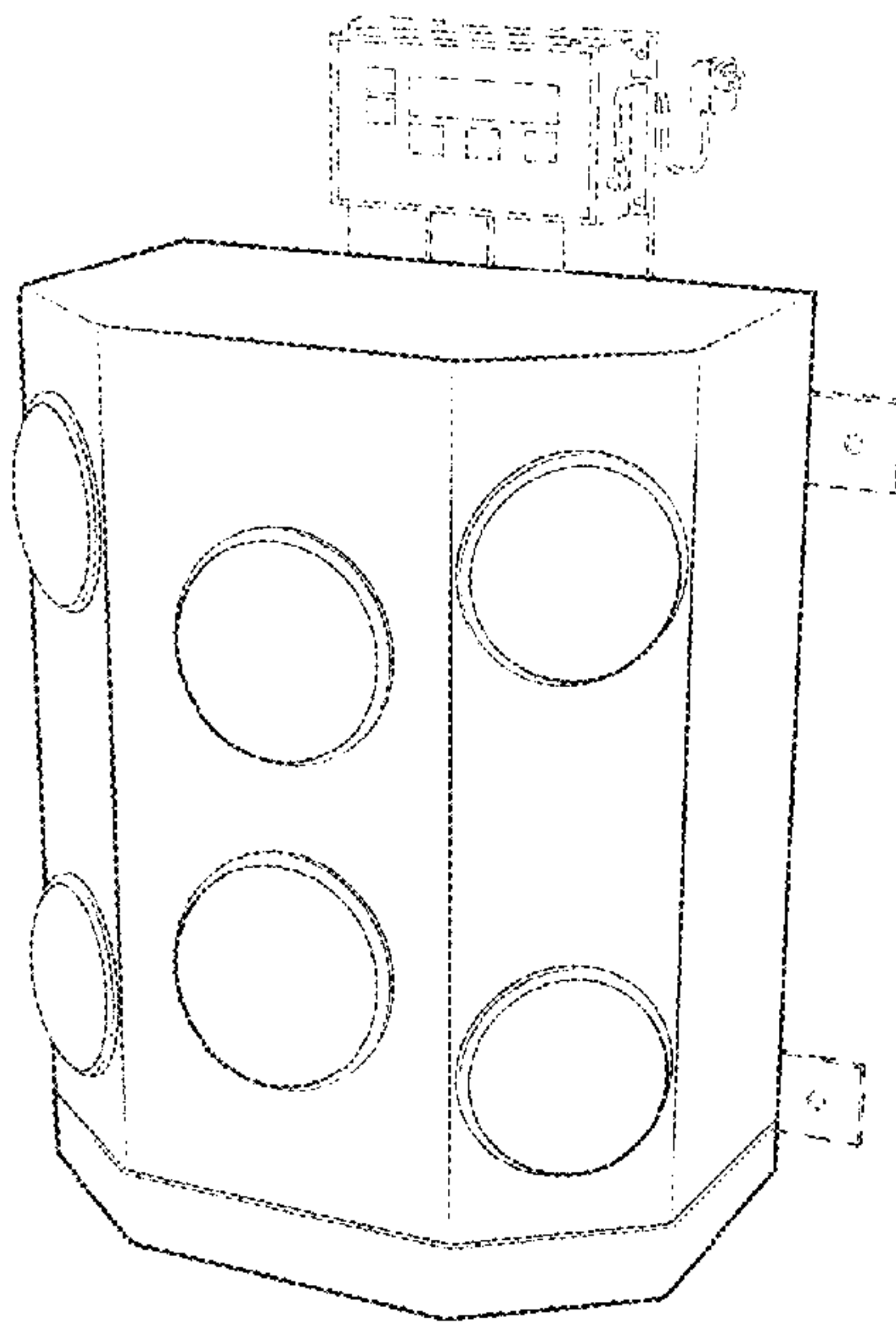
FIG. 5 is a left side view thereof, the right side view being a mirror image;

FIG. 6 is a front view thereof; and,

FIG. 7 is a bottom view thereof.

The broken lines in the drawings, which illustrate environmental structure or boundaries of the exercise apparatus for punching, do not form a part of the claimed design.

1 Claim, 2 Drawing Sheets



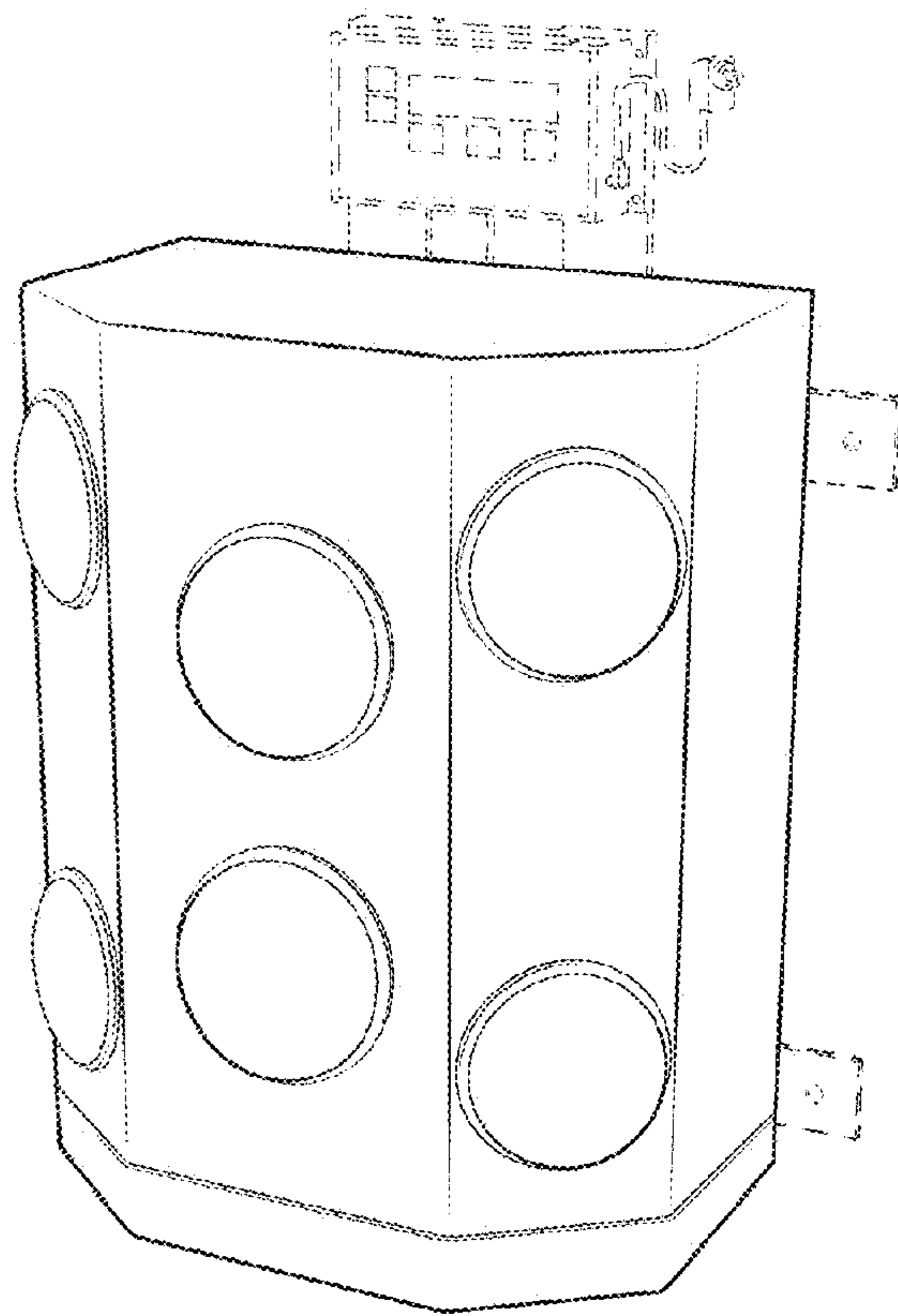


FIG. 1

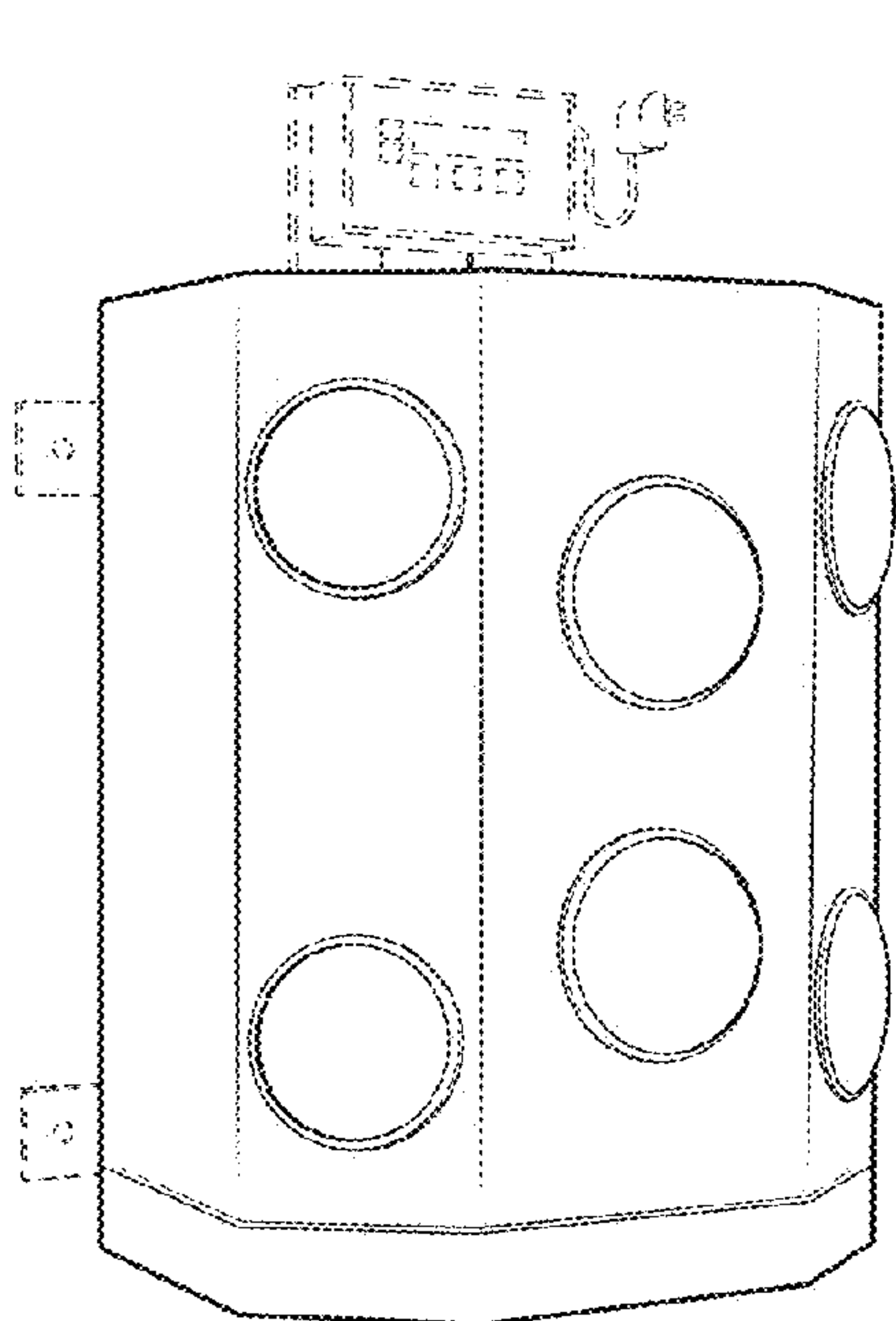


FIG. 2

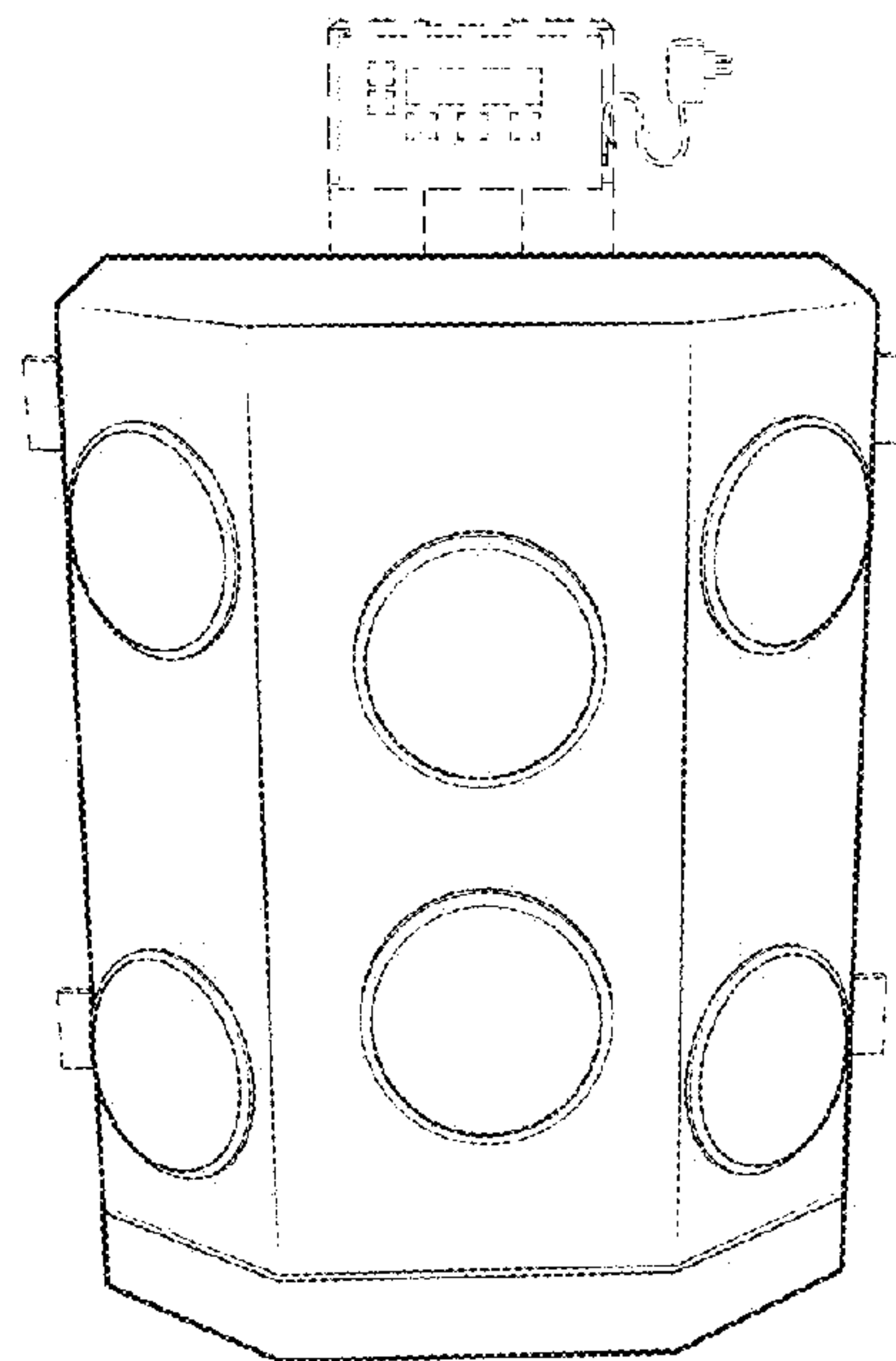


FIG. 3

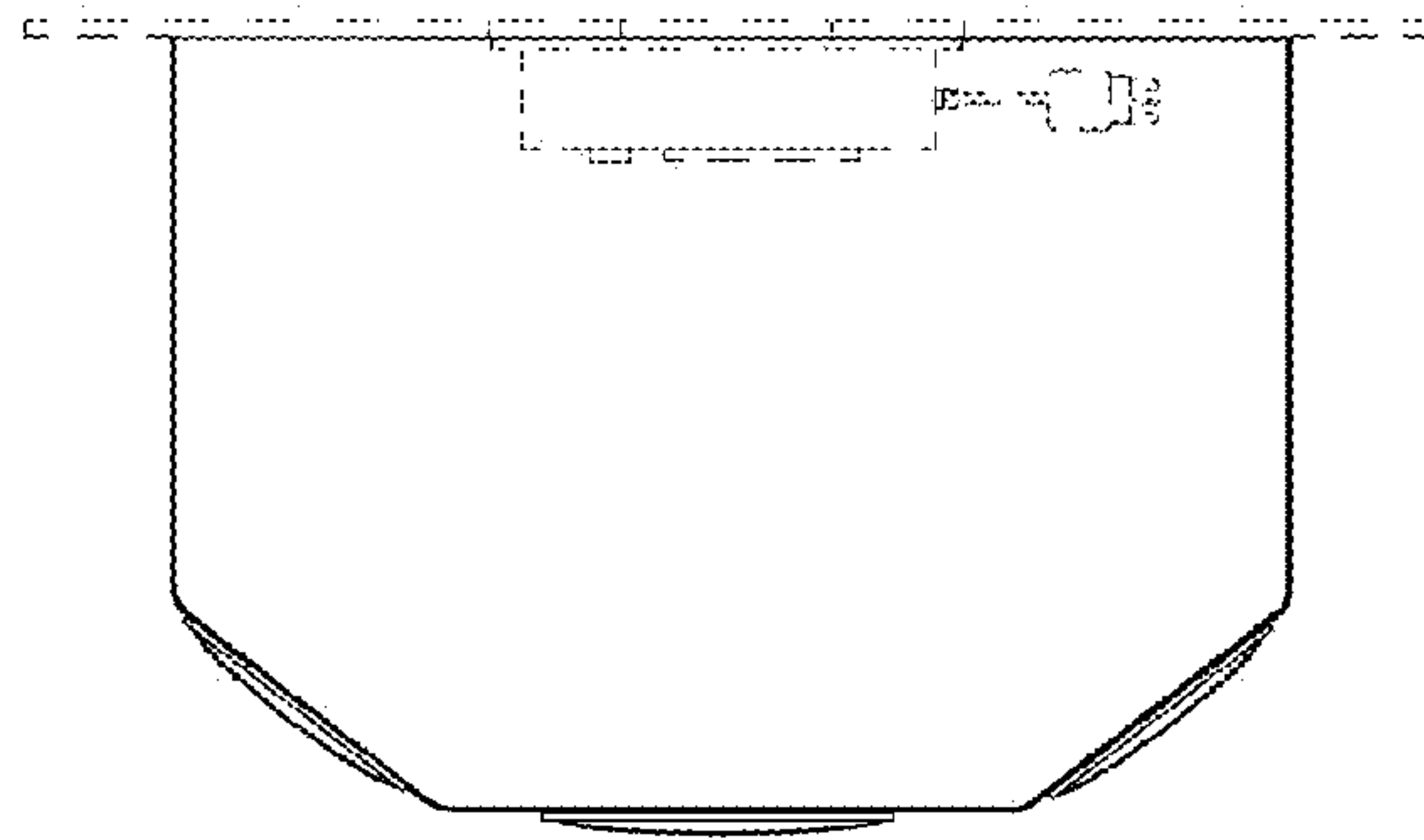


FIG. 4

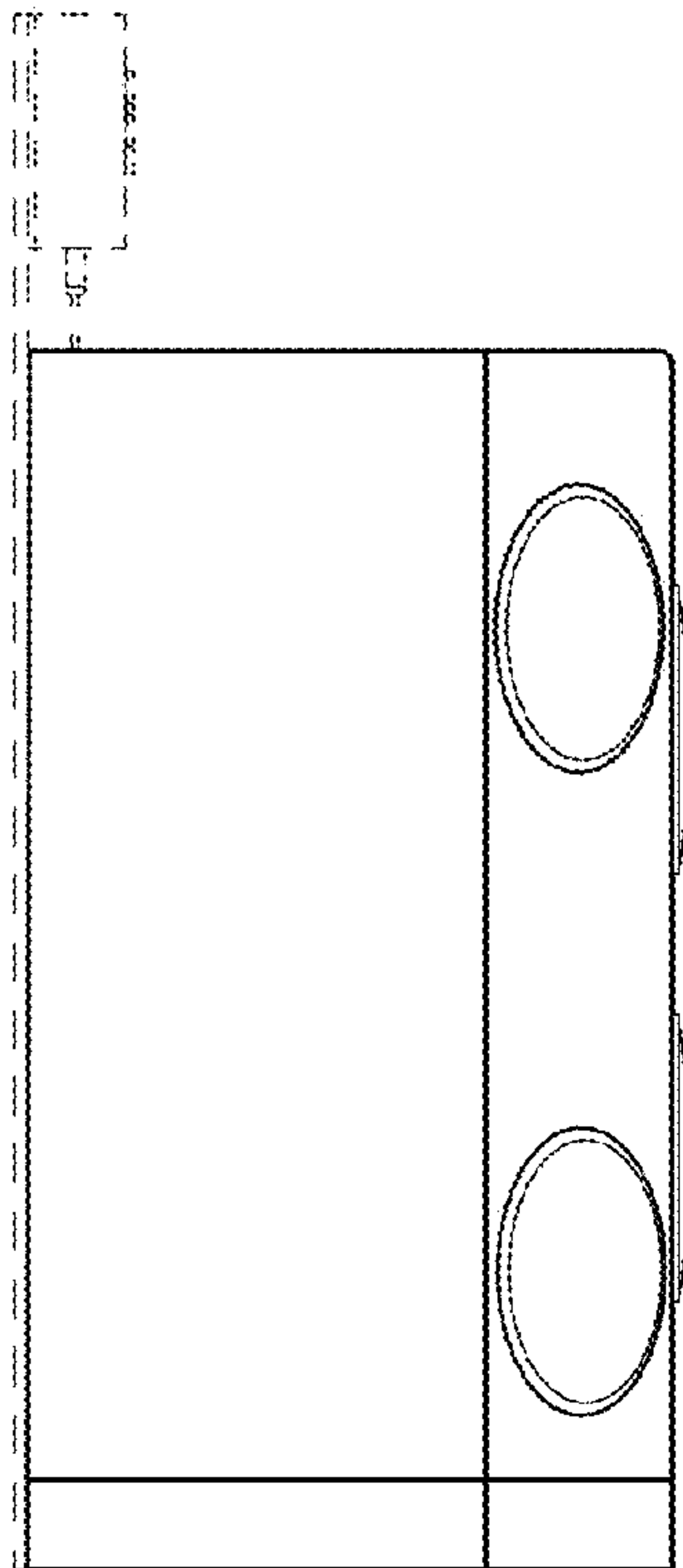


FIG. 5

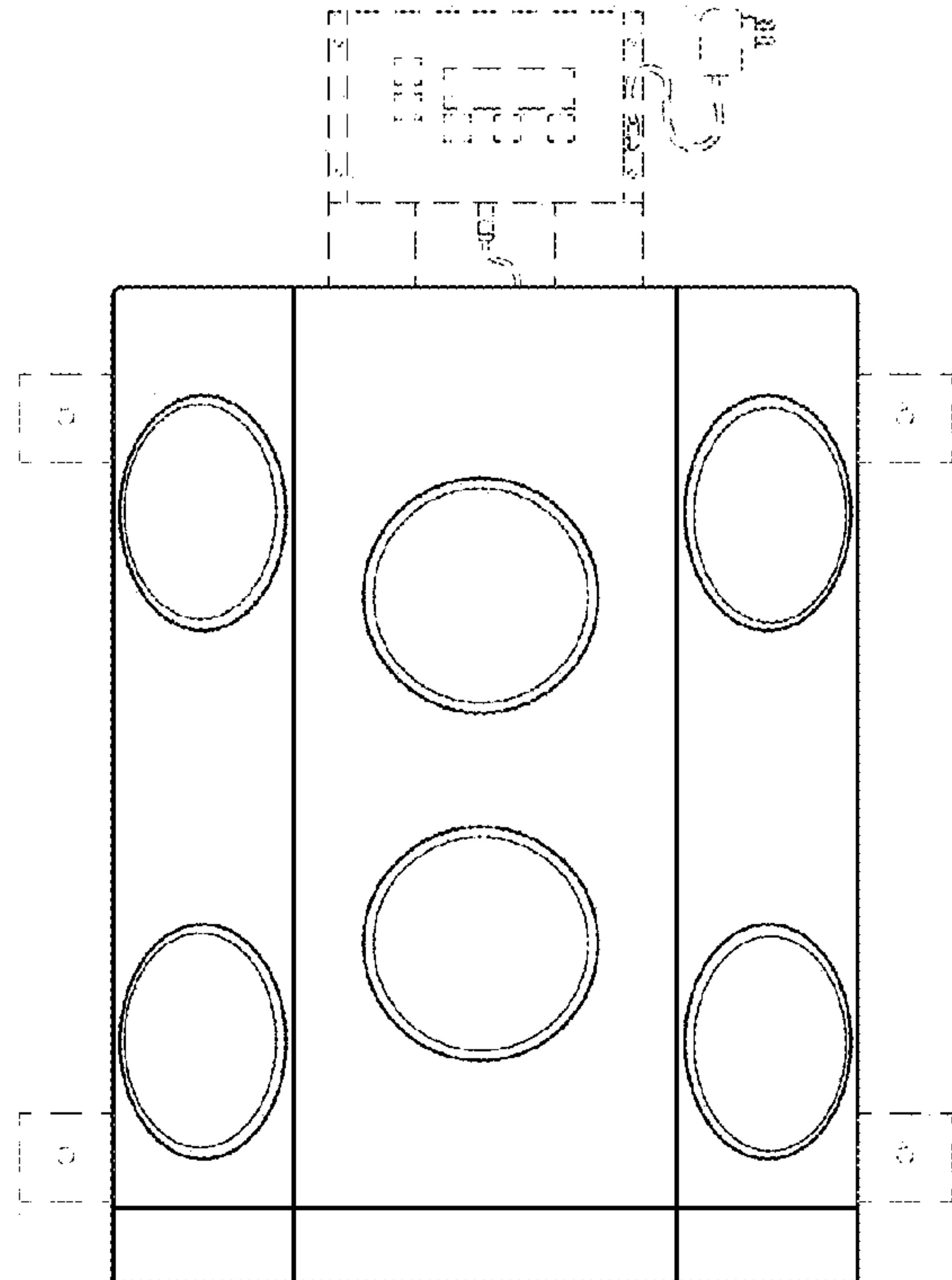


FIG. 6

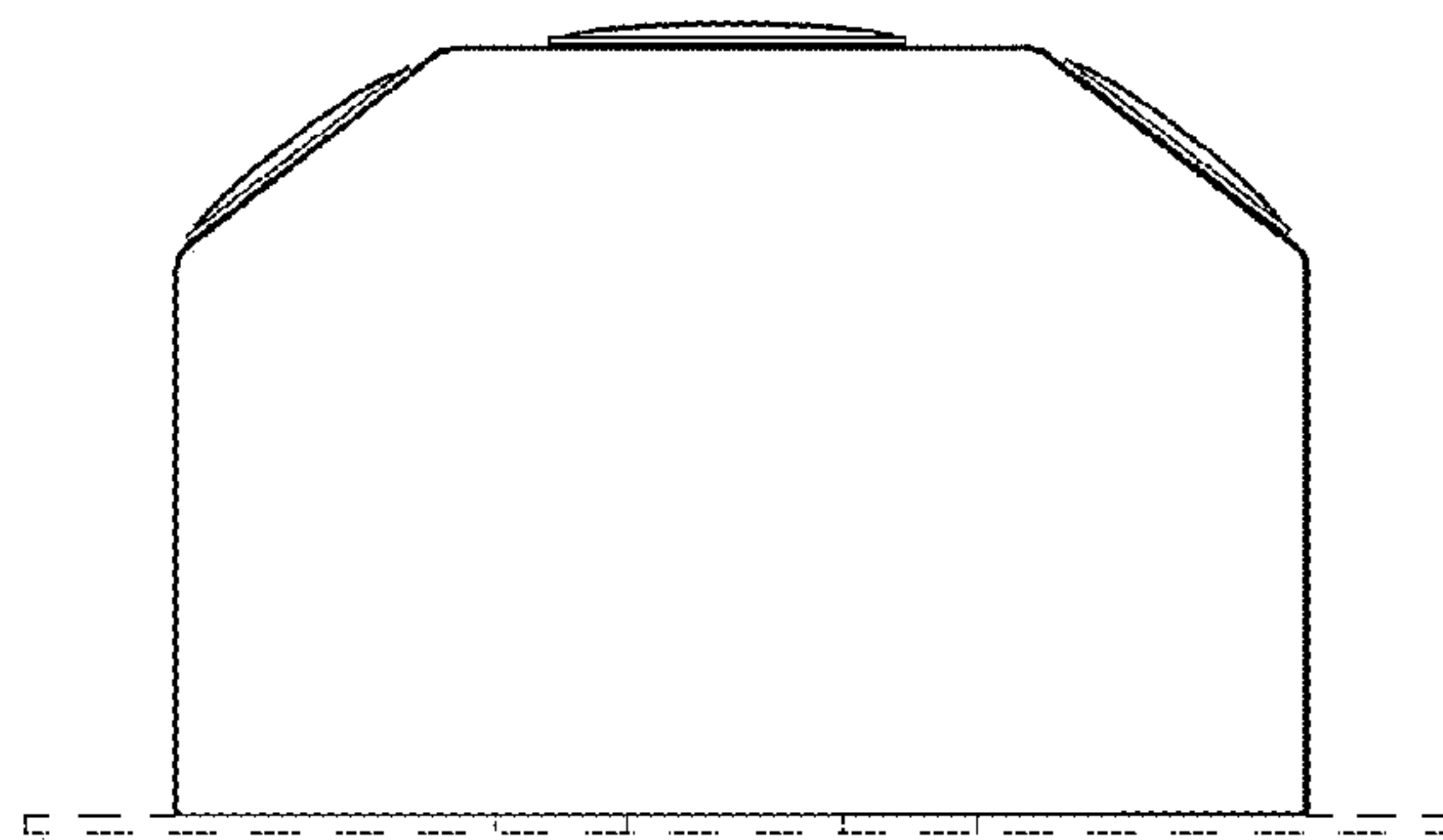


FIG. 7