



US00D737382S

(12) **United States Design Patent**
Tei et al.

(10) **Patent No.:** **US D737,382 S**

(45) **Date of Patent:** **** Aug. 25, 2015**

(54) **TRICYCLE**

(71) Applicant: **Katayama Kogyo Co., Ltd.**, Ibara-shi (JP)

(72) Inventors: **Shuwa Tei**, Shibuya-ku (JP); **Akihiro Yamanaka**, Chofu (JP)

(73) Assignee: **Katayama Kogyo Co., Ltd.**, Ibara-Shi (JP)

(**) Term: **14 Years**

(21) Appl. No.: **29/484,958**

(22) Filed: **Mar. 14, 2014**

(30) **Foreign Application Priority Data**

Sep. 17, 2013 (JP) 2013-021445

(51) **LOC (10) Cl.** **21-01**

(52) **U.S. Cl.**
USPC **D21/423**; D12/111

(58) **Field of Classification Search**
USPC D12/85, 86, 107, 131; D21/424, 433,
D21/434; 180/65.1, 210-212, 311, 312,
180/908; 296/181.1, 181.5; 280/88, 264,
280/267, 288.1

CPC B62D 21/11; B62D 29/043; B62D 31/00;
B62D 49/00; B62D 61/065

See application file for complete search history.

(56) **References Cited**

U.S. PATENT DOCUMENTS

4,540,192 A * 9/1985 Shelton 280/282
5,039,121 A * 8/1991 Holter 280/220
5,785,331 A * 7/1998 Rappaport 280/87.041
D495,374 S * 8/2004 Chuang D21/423

D495,758 S * 9/2004 Chuang D21/423
D497,957 S * 11/2004 Chuang D21/423
6,923,459 B2 * 8/2005 Yeo et al. 280/87.041
D526,250 S * 8/2006 Trumble et al. D12/111
7,438,297 B2 * 10/2008 Fernandez et al. 280/14.27
D580,500 S * 11/2008 Hong D21/423
D688,164 S * 8/2013 Calderon D12/111
8,505,945 B2 * 8/2013 Chen 280/220
D695,649 S * 12/2013 Eliasson D12/111

OTHER PUBLICATIONS

“Stand Up Bicycle.” Bike Europe Website., Sep. 13, 2011 [online], [retrieved on Nov. 29, 2014]. Retrieved from the Internet <URL: <http://www.bikeeurope.org/2011/09/stand-up-bicycle/>>.*
Takada, Takashi. “Stand-up Electric Tricycle Aimed at Elderly.” Nikkei Technology., May 1, 2014 [online], [retrieved on Nov. 29, 2014]. Retrieved from the Internet <URL: http://techon.nikkeibp.co.jp/english/NEWS_EN/20140501/349580/?ST=english_PRINT>.*

* cited by examiner

Primary Examiner — Philip S Hyder

Assistant Examiner — Darlington Ly

(74) *Attorney, Agent, or Firm* — Burr & Brown, PLLC

(57) **CLAIM**

The ornamental design for a tricycle, as shown and described.

DESCRIPTION

FIG. 1 is a perspective view of a tricycle illustrating our new design;

FIG. 2 is a right view thereof;

FIG. 3 is a left view thereof;

FIG. 4 is a top view thereof;

FIG. 5 is a rear view thereof; and,

FIG. 6 is a front view thereof.

The broken lines in the drawings illustrate portions of the tricycle that forms no part of the claimed design.

1 Claim, 6 Drawing Sheets

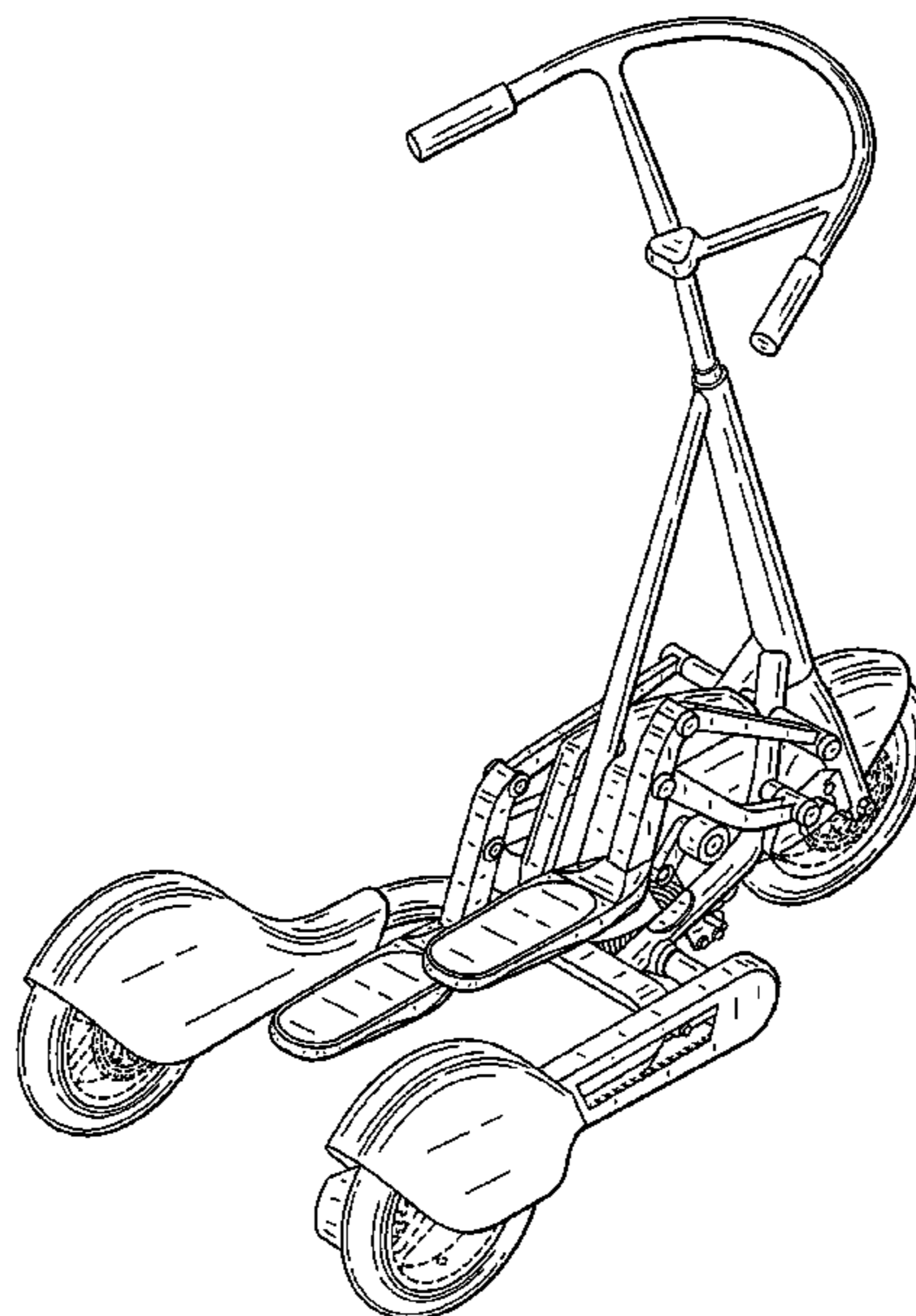


FIG. 1

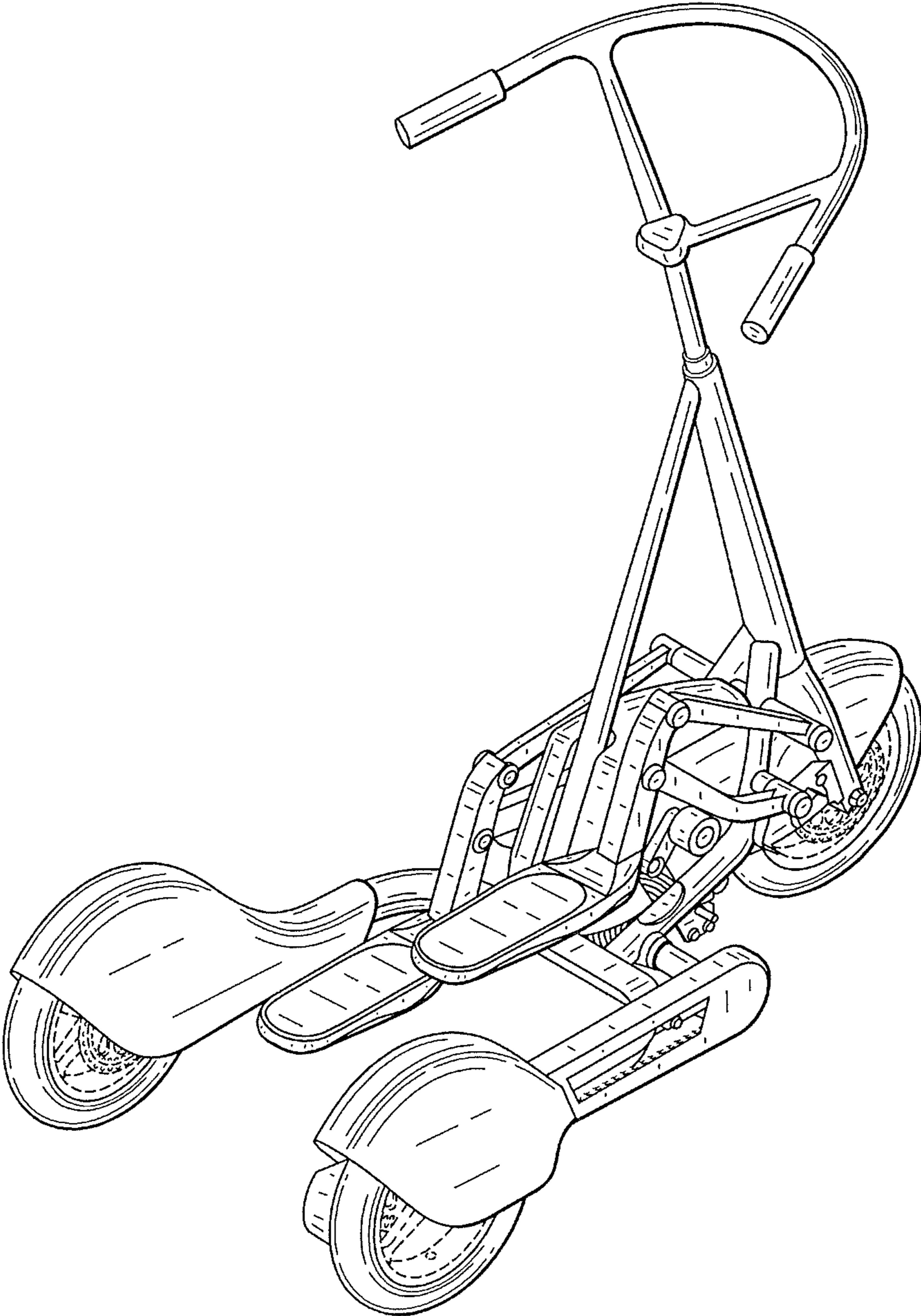


FIG. 2

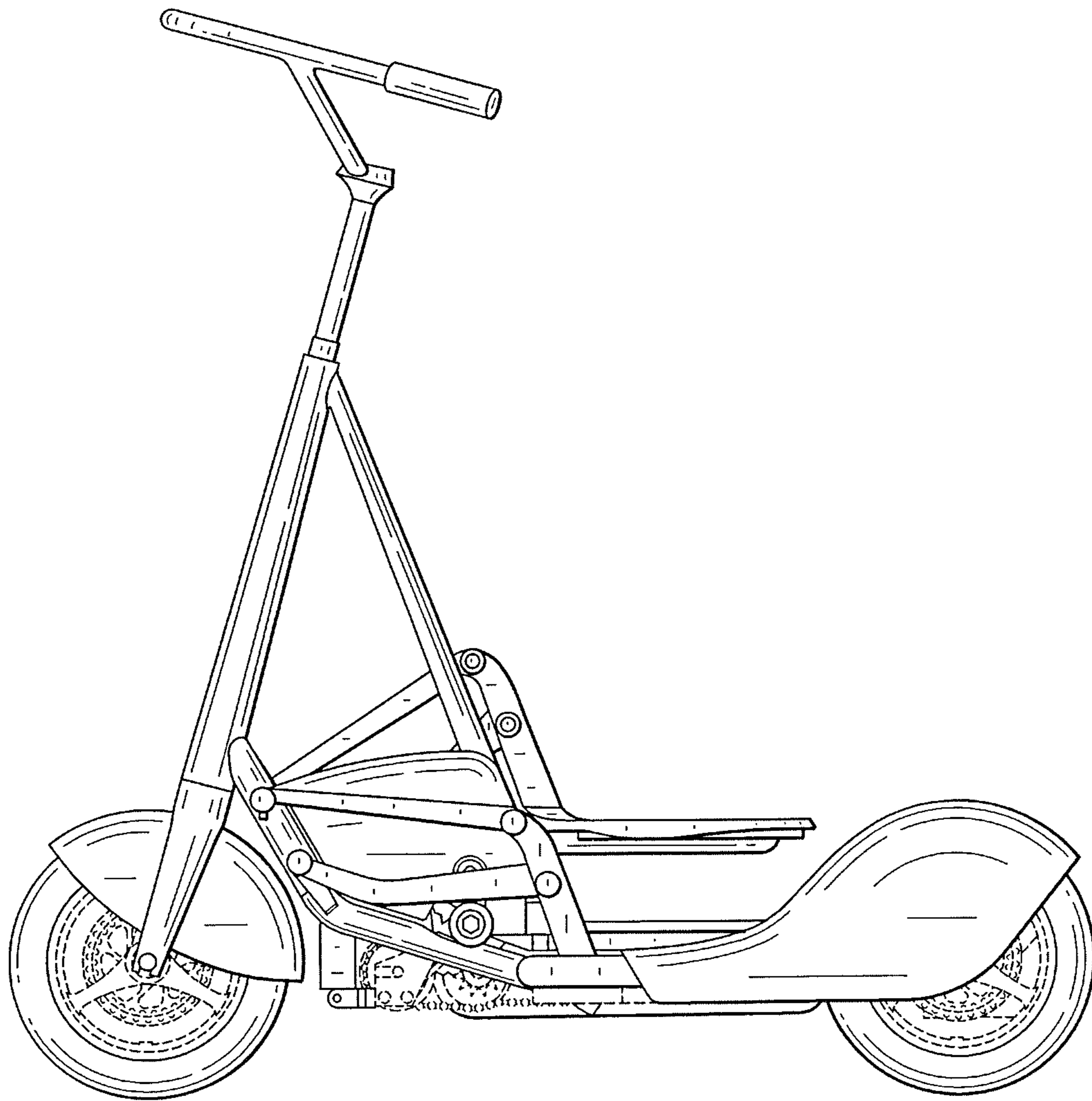


FIG. 3

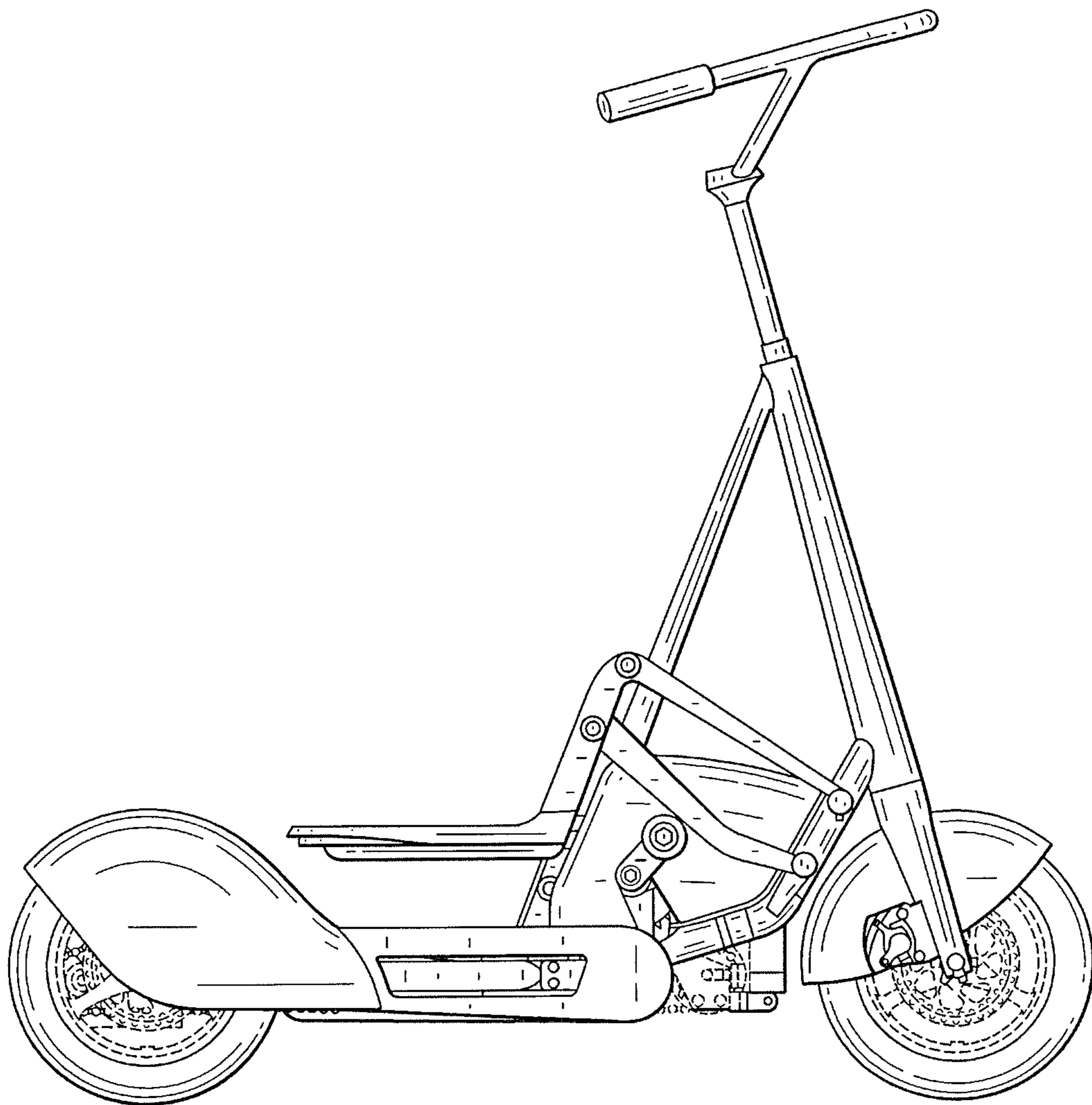


FIG. 4

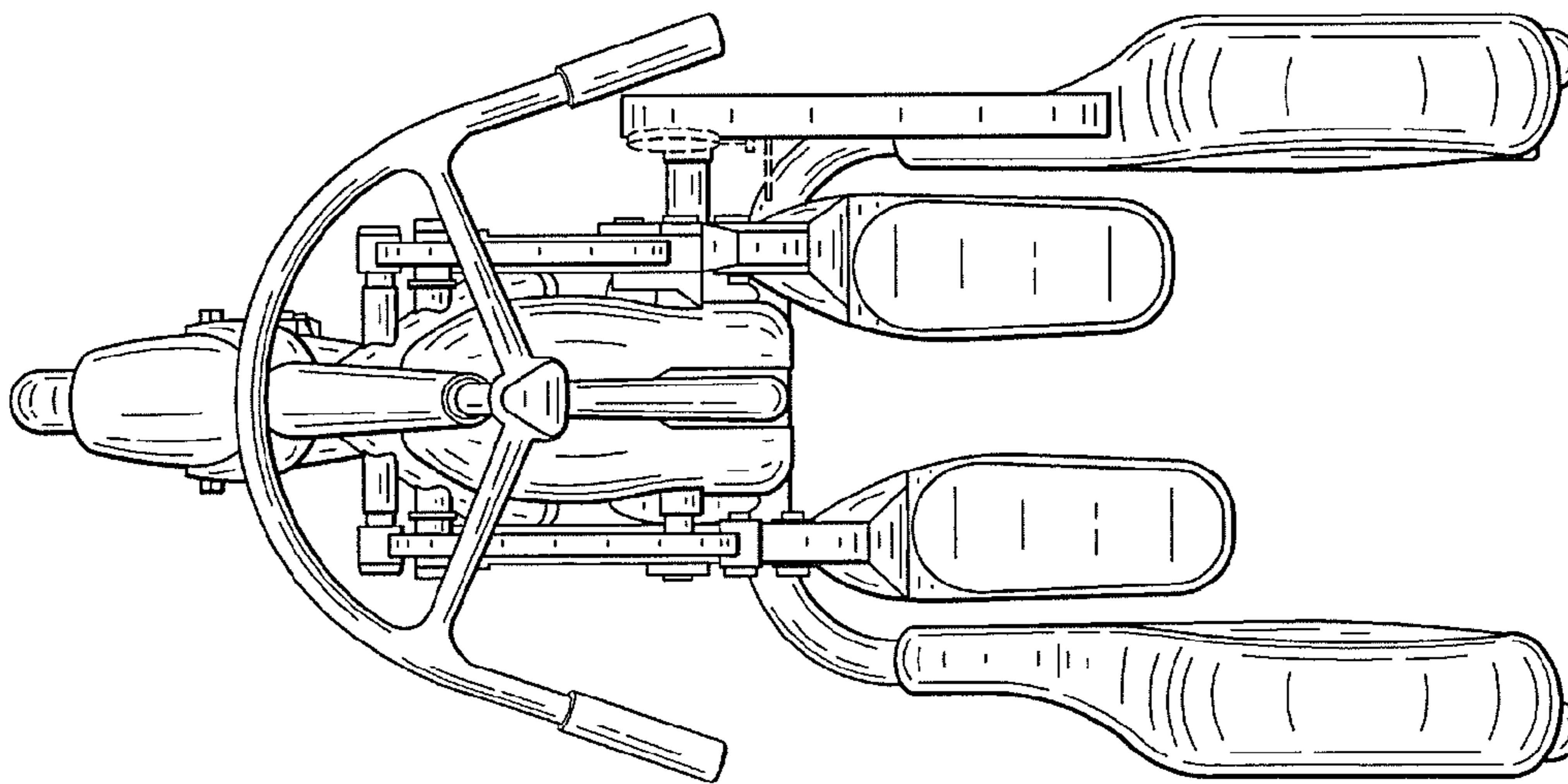


FIG. 5

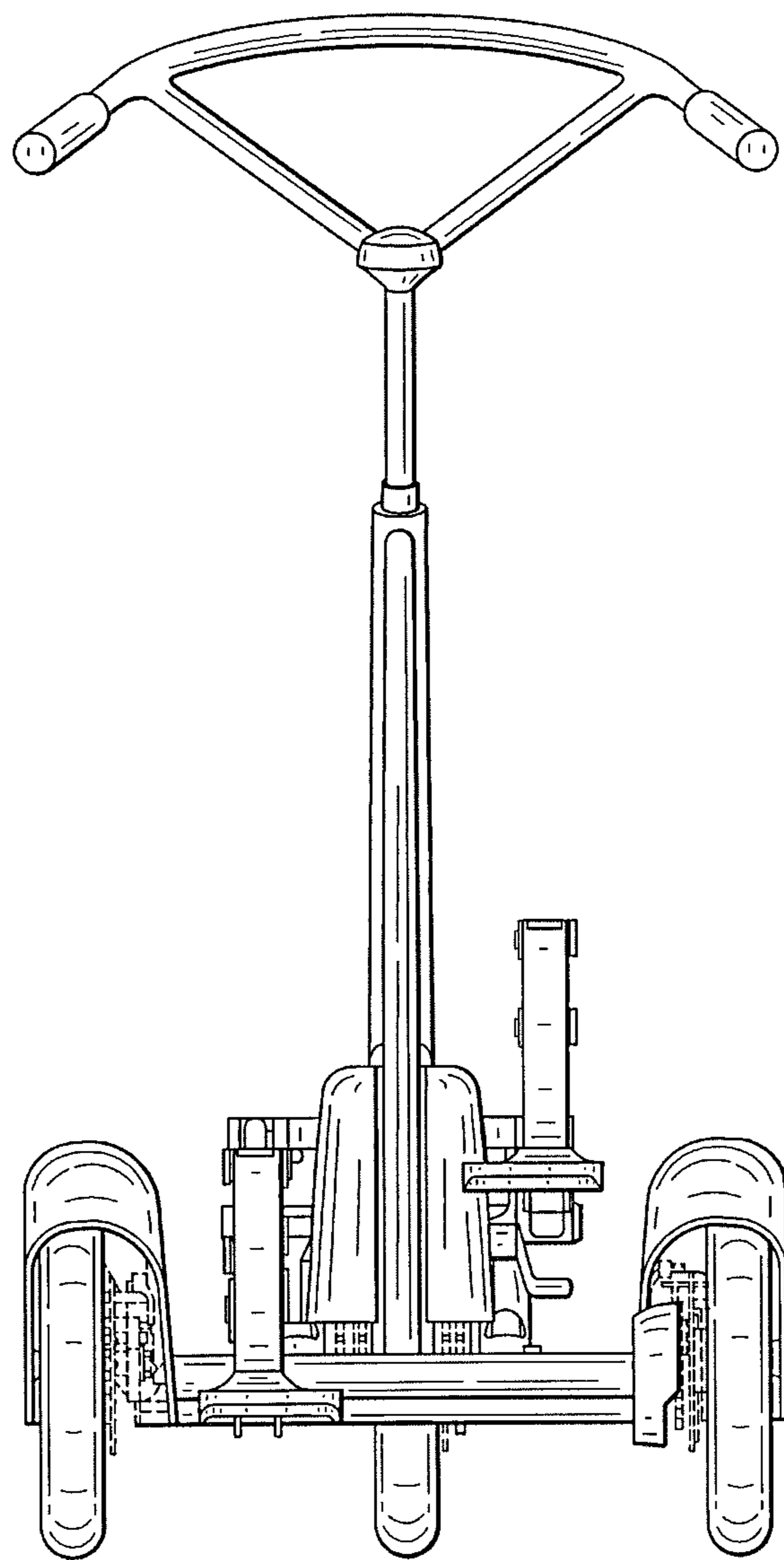


FIG. 6

