



US00D737381S

(12) **United States Design Patent**
Putnam et al.

(10) **Patent No.:** **US D737,381 S**

(45) **Date of Patent:** **** *Aug. 25, 2015**

(54) **RUMBLE-PRODUCING DEVICE**

(71) Applicant: **Invention Oven, Inc.**, Dallas, TX (US)

(72) Inventors: **P J Putnam**, Dallas, TX (US);
Christopher Oliver, Dallas, TX (US);
James Villepigue, East Northport, NY (US)

(73) Assignee: **Invention Oven, Inc.**, Dallas, TX (US)

(*) Notice: This patent is subject to a terminal disclaimer.

(**) Term: **14 Years**

(21) Appl. No.: **29/483,615**

(22) Filed: **Feb. 28, 2014**

(51) **LOC (10) Cl.** **21-01**

(52) **U.S. Cl.**
USPC **D21/405**

(58) **Field of Classification Search**
USPC D21/398, 401, 405, 411, 561, 566;
D17/10, 24, 99; D10/116.1, 119.1,
D10/119.2, 119.3, 120; D14/496, 158, 299;
D15/1, 5, 6; D12/194; 446/7, 15-21,
446/81, 176, 188, 200-209, 213, 216, 217,
446/265, 397, 401, 404, 405, 406, 408-416,
446/418-422

See application file for complete search history.

(56) **References Cited**

U.S. PATENT DOCUMENTS

400,123	A *	3/1889	Schoenner	446/209
1,206,933	A *	12/1916	Simonds et al.	446/415
1,600,733	A *	9/1926	Koenig	60/669
D110,740	S *	8/1938	Weiss	D21/405
2,439,736	A *	4/1948	Horne	446/416
2,479,738	A *	8/1949	Goldstein et al.	84/93
2,525,134	A *	10/1950	Horne	446/416
3,160,984	A *	12/1964	Ryan	446/397

3,286,395	A *	11/1966	Ryan	446/420
D206,824	S *	1/1967	Ryan et al.	D21/405
3,412,197	A *	11/1968	Weitzner	84/725
3,875,696	A *	4/1975	Howland	446/404
3,967,409	A *	7/1976	Taylor	446/414
D267,743	S *	1/1983	Cunningham et al.	D24/129
D273,802	S *	5/1984	Bousman	D21/411
5,024,626	A *	6/1991	Robbins et al.	446/409
5,314,372	A *	5/1994	Kramer	446/404
D469,429	S *	1/2003	Blackman	D14/299
D473,598	S *	4/2003	Izen et al.	D21/411
D530,807	S *	10/2006	Miyagishima et al.	D23/365
D578,546	S *	10/2008	Fullerton	D14/496
D612,871	S *	3/2010	Rosenbaum	D15/5
8,096,850	B1 *	1/2012	Heilig	446/397

(Continued)

OTHER PUBLICATIONS

Contextual QR Codes, Jose Rouillard, Proceedings of the Third International Multi-Conference on Computing in the Global Information Technology. ICCGI 2008. Jul. 27-Aug. 1, 2008—Athens, Greece. © 2008 IEEE.

(Continued)

Primary Examiner — Catherine Tuttle

(74) *Attorney, Agent, or Firm* — Vincent J. Allen; Carstens & Cahoon, LLP

(57) **CLAIM**

The ornamental design for a rumble-producing device, as shown and described.

DESCRIPTION

FIG. 1 is a rear perspective view of the rumble-producing device showing our new design.

FIG. 2 is a top plan view thereof.

FIG. 3 is a bottom plan view thereof.

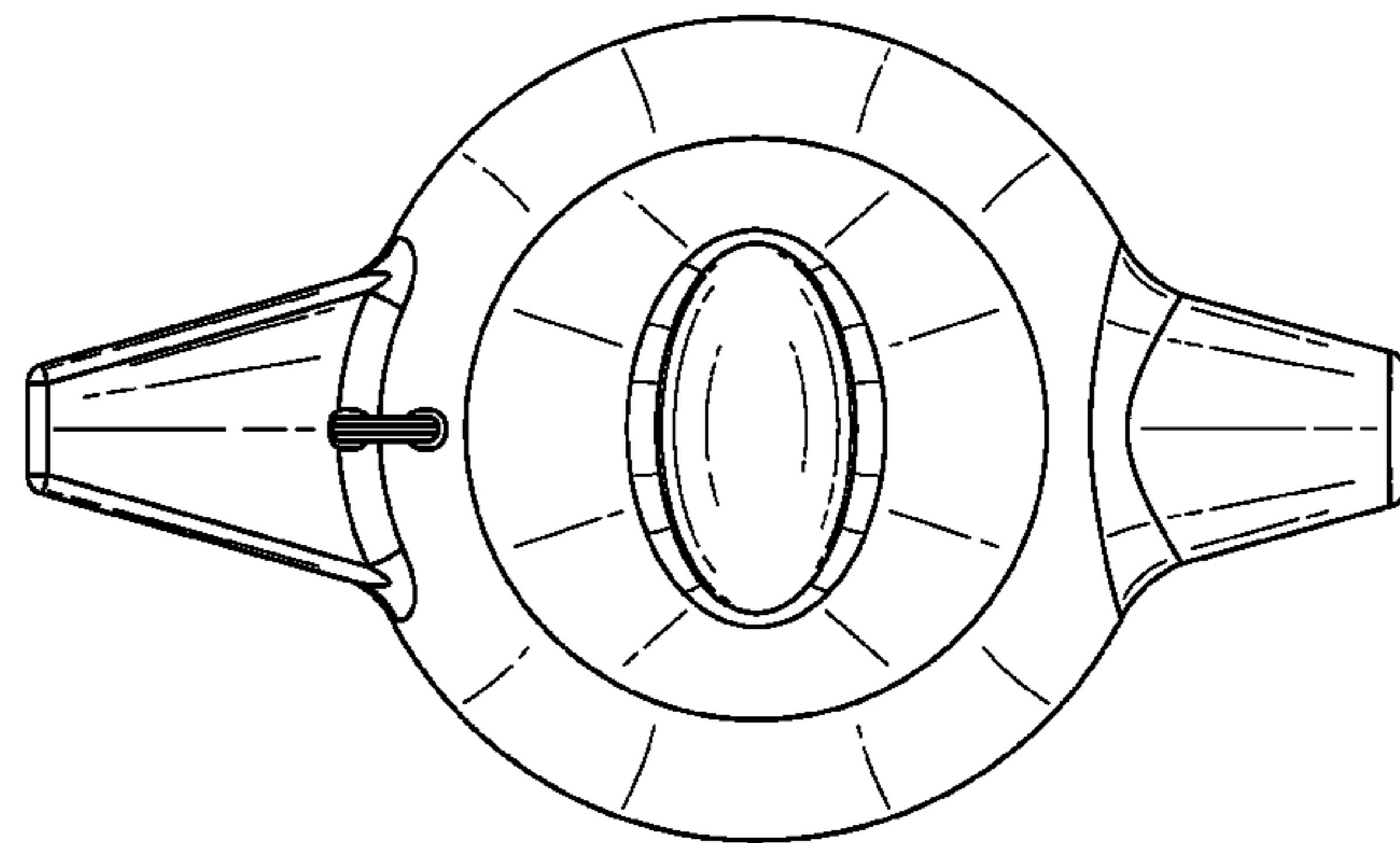
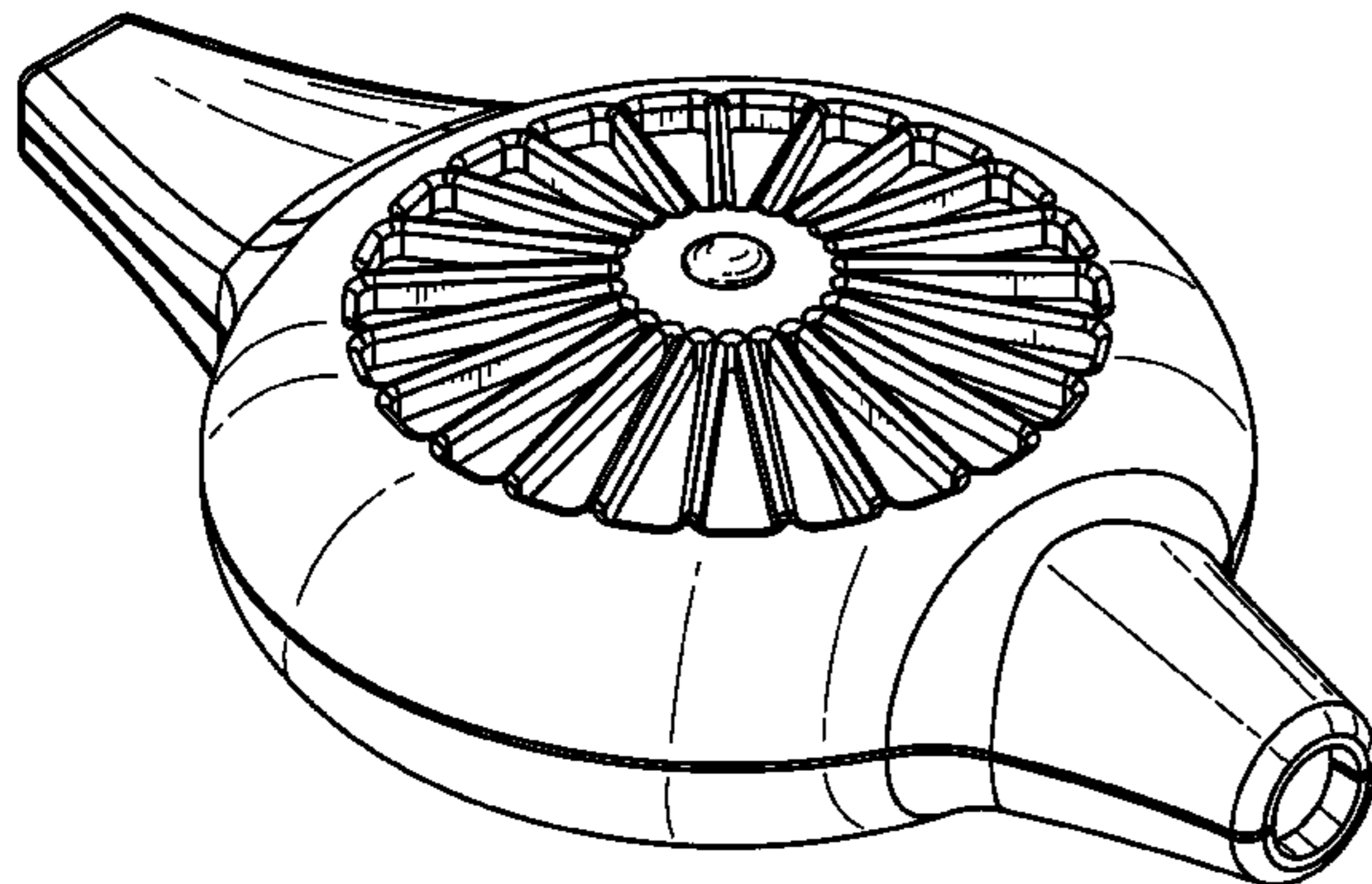
FIG. 4 is a right side elevational view thereof.

FIG. 5 is a left side elevational view thereof.

FIG. 6 is a front elevational view thereof; and,

FIG. 7 is a rear elevational view thereof.

1 Claim, 4 Drawing Sheets



(56)

References Cited

U.S. PATENT DOCUMENTS

8,100,736 B2 * 1/2012 Iida 446/404
8,413,882 B1 4/2013 Nidamarthi et al.
8,532,283 B1 9/2013 Haggerty et al.
8,556,164 B1 10/2013 Freedman et al.
8,577,346 B2 11/2013 Dragt
2002/0147660 A1 10/2002 Indence
2010/0306060 A1 12/2010 Yancey et al.
2012/0095810 A1 4/2012 Miao et al.
2012/0209686 A1 8/2012 Horowitz et al.
2012/0310720 A1 12/2012 Balsan et al.
2013/0018726 A1 1/2013 Ionescu et al.
2013/0032634 A1 2/2013 McKirdy

2013/0046594 A1 2/2013 Davidson
2014/0025582 A1 1/2014 Maevsky
2014/0032328 A1 1/2014 Greenfield
2014/0058812 A1 2/2014 Bender et al.

OTHER PUBLICATIONS

Unboxed—QR Code Reader for iOS, Mark Reid, <http://www.uquery.com/apps/i4bhl/unboxed-qr-code-reader-for-ios>, downloaded on May 21, 2014, 5 pgs.
ConnectMe QR Reader, Top Floor Studio, LLC, <http://www.uquery.com/apps/j7Mbl/connectme-qr-reader>, downloaded on May 21, 2014, 6 pgs.

* cited by examiner

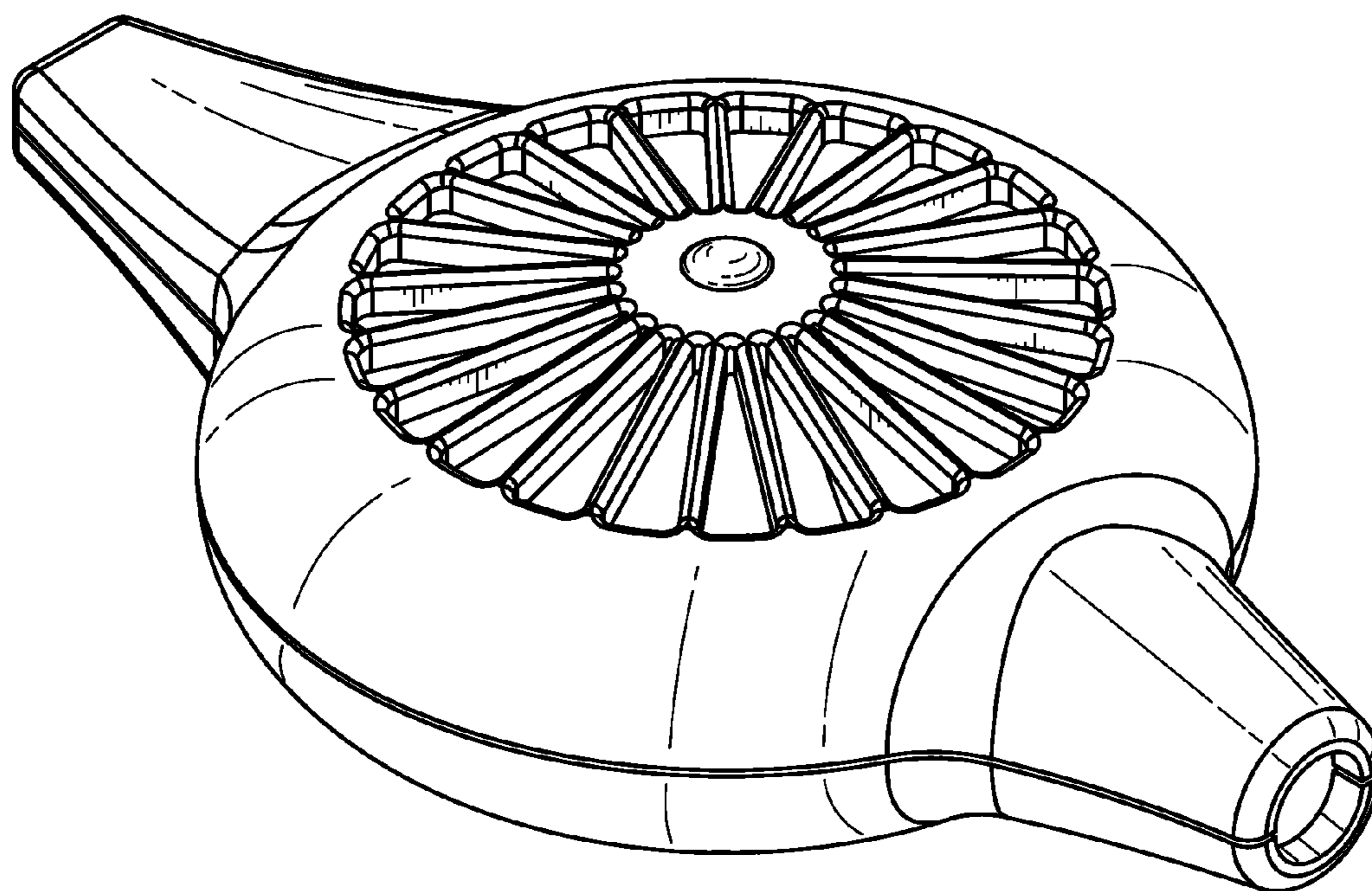


FIG. 1

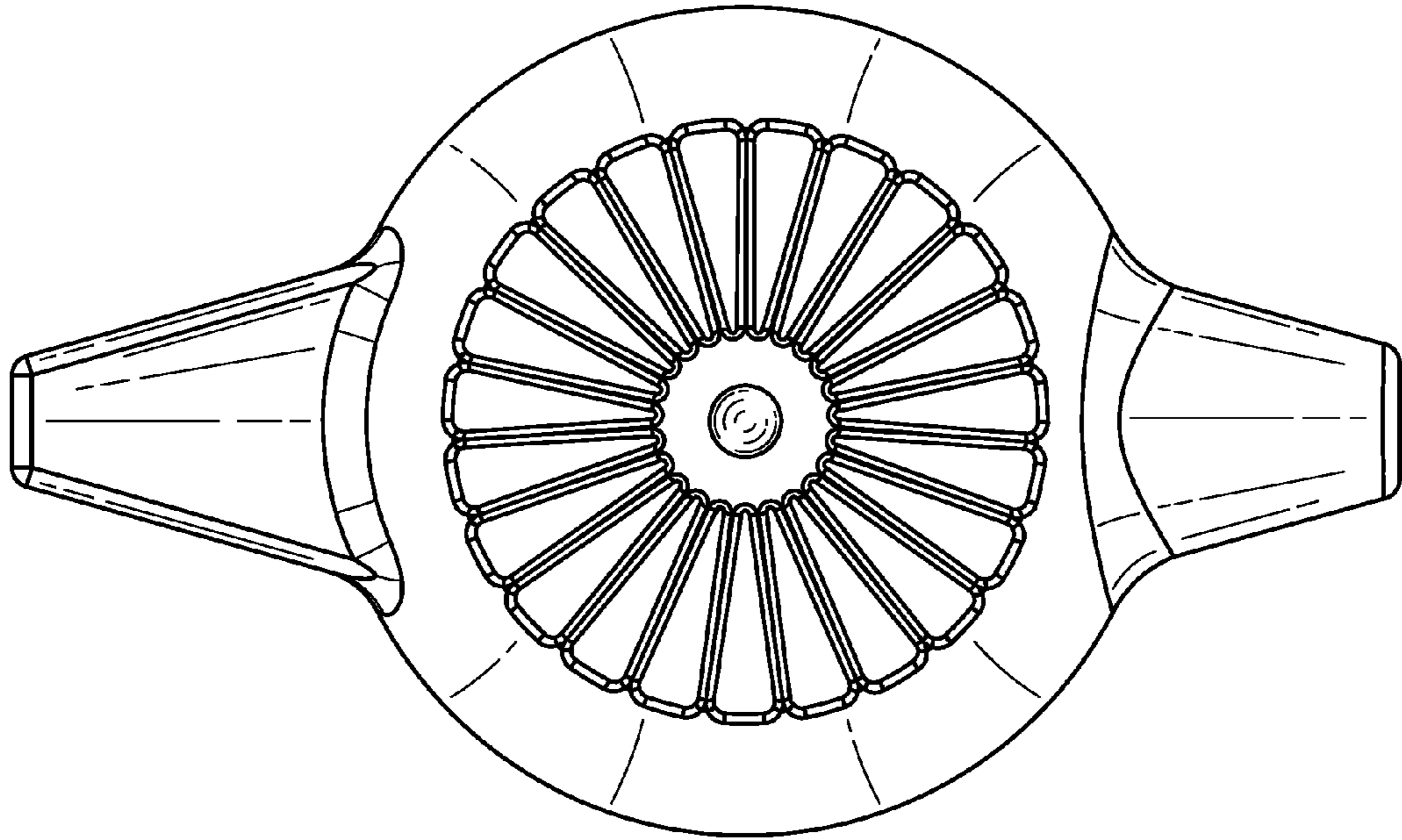


FIG. 2

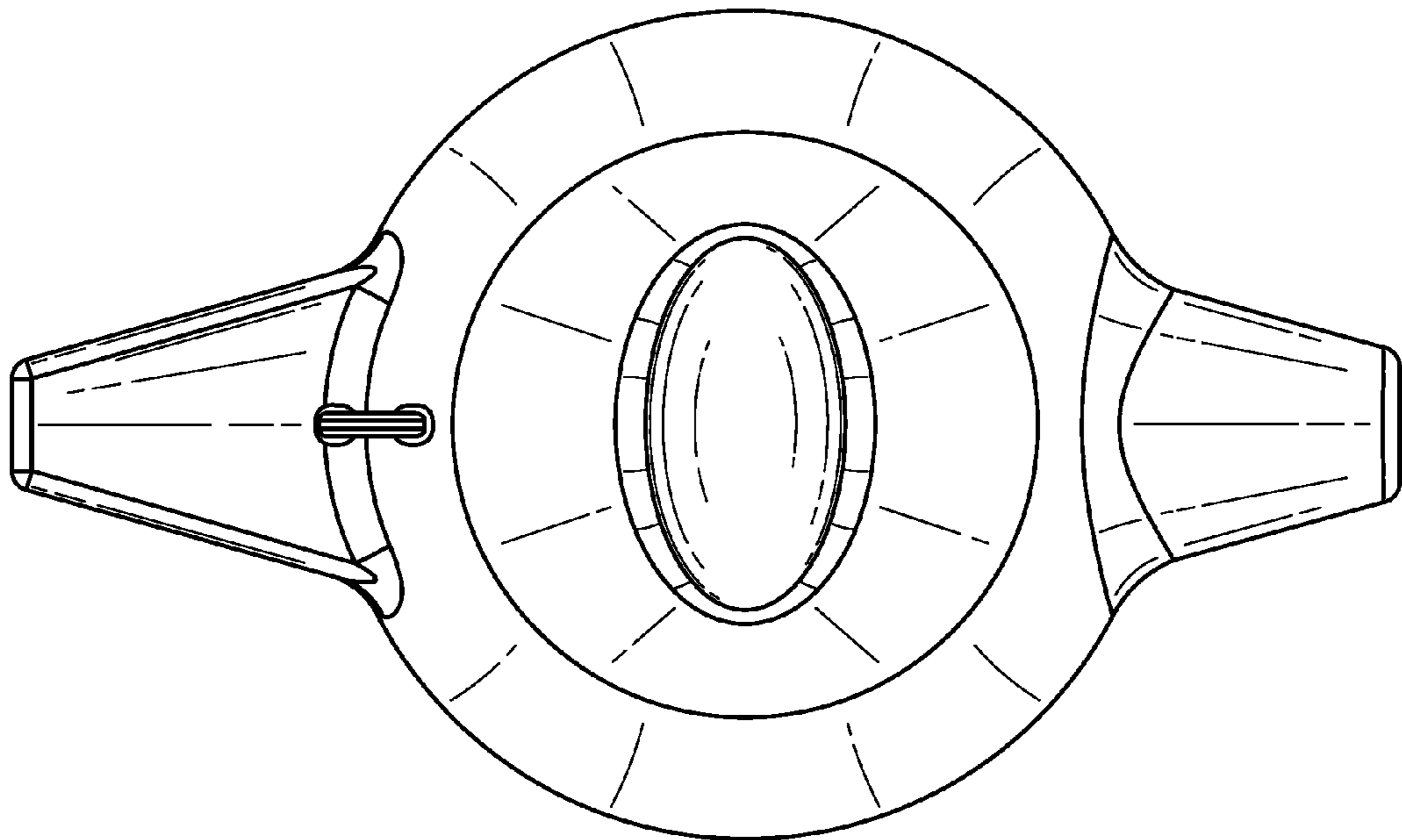


FIG. 3

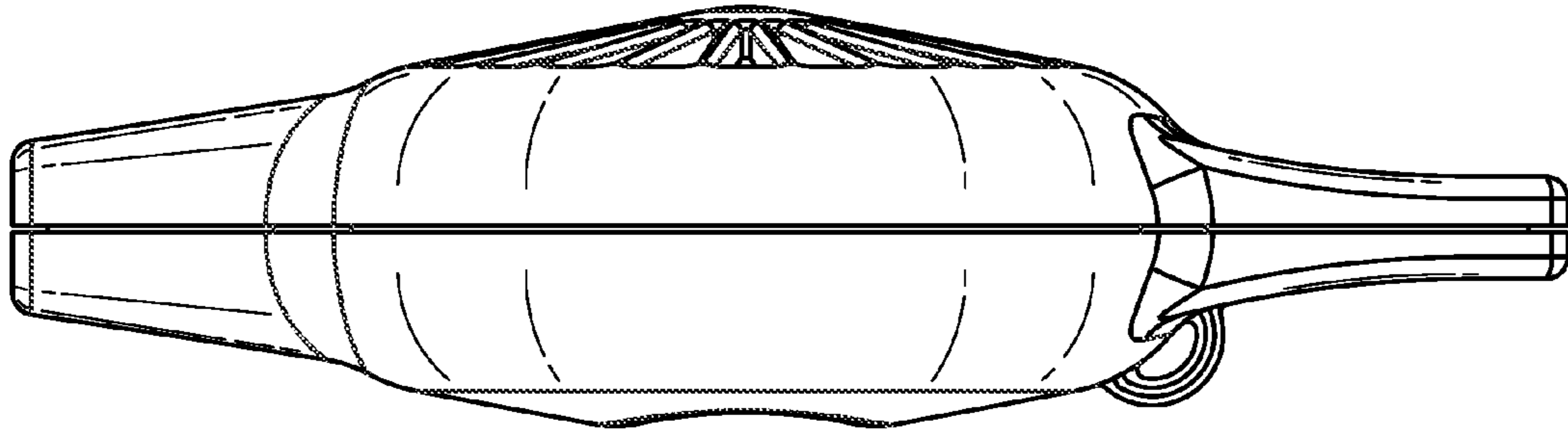


FIG. 4

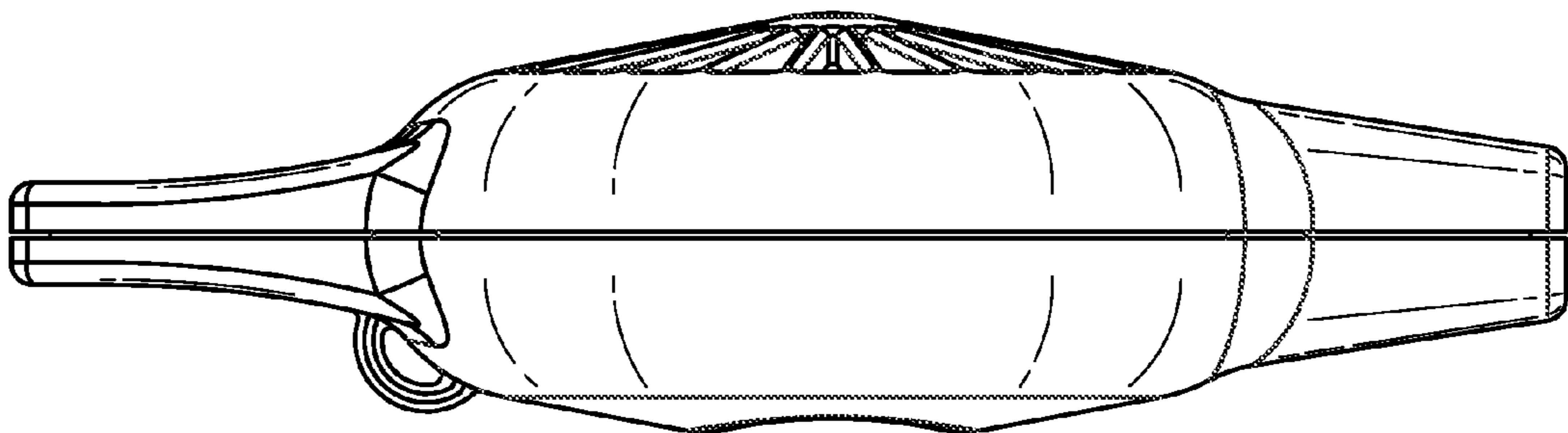


FIG. 5

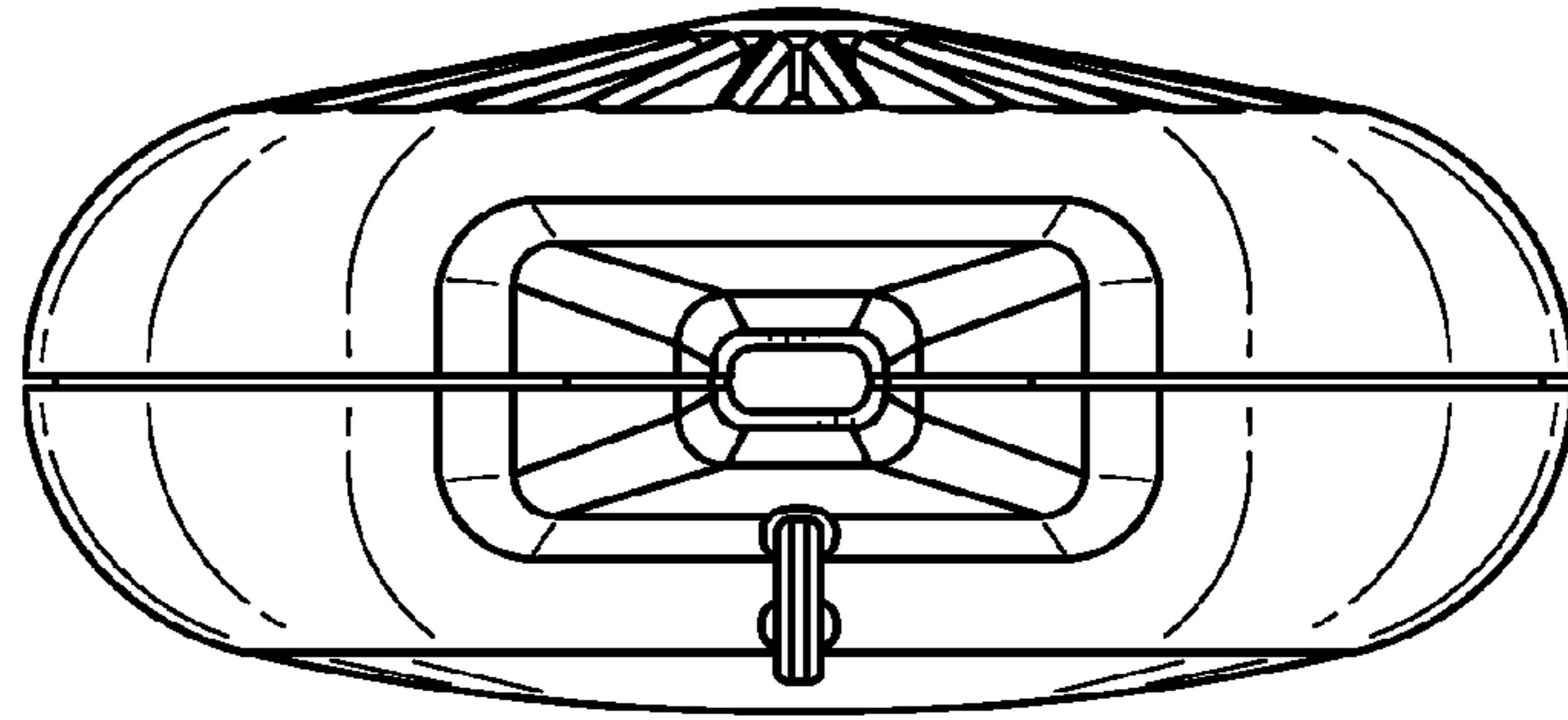


FIG. 6

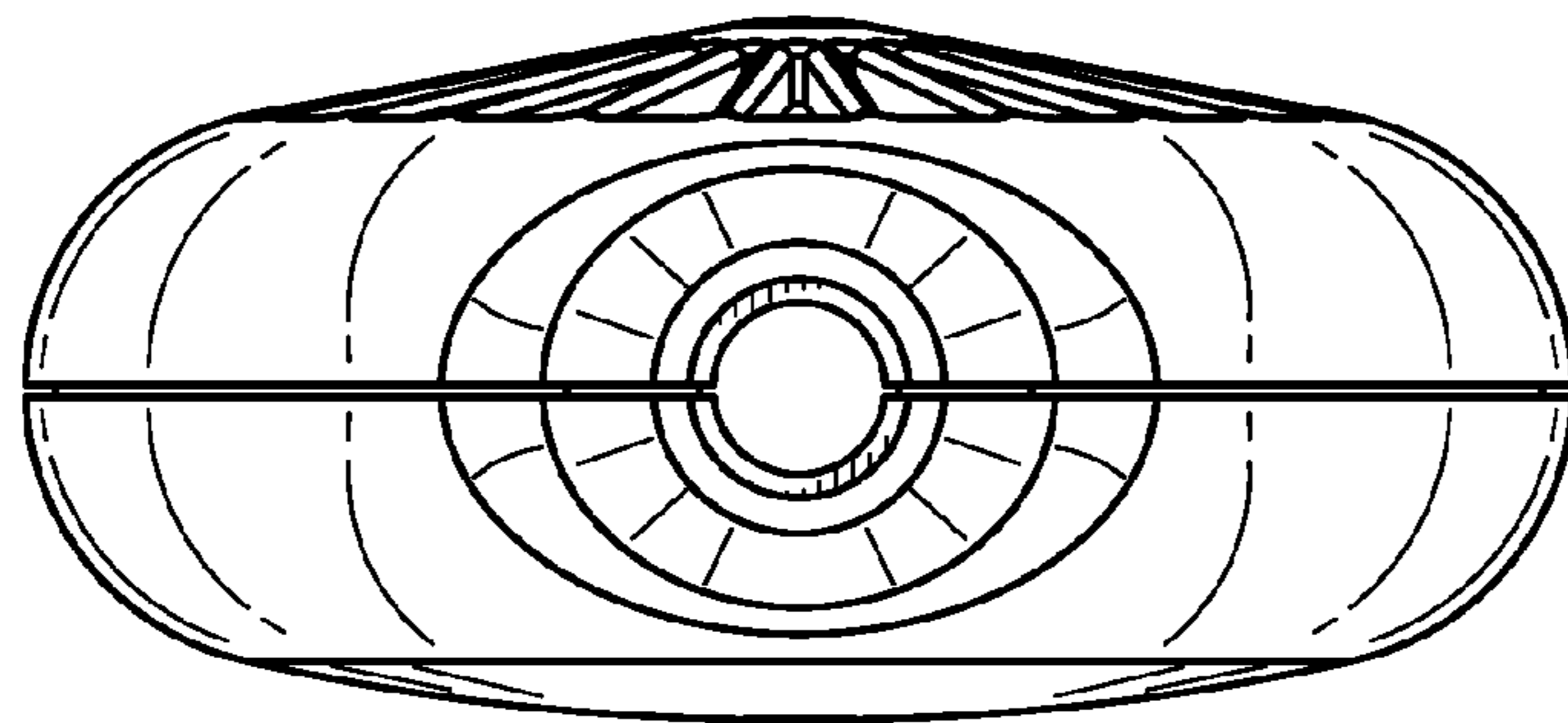


FIG. 7