



US00D737374S

(12) **United States Design Patent**  
**Sternberg**

(10) **Patent No.:** **US D737,374 S**

(45) **Date of Patent:** **\*\* Aug. 25, 2015**

(54) **REEL**

(71) Applicant: **Start Manufacturing, Inc.**, Dallas, TX  
(US)

(72) Inventor: **Todd Sternberg**, Dallas, TX (US)

(73) Assignee: **Start Manufacturing, Inc.**, Dallas, TX  
(US)

(\*\*) Term: **14 Years**

(21) Appl. No.: **29/490,425**

(22) Filed: **May 9, 2014**

(51) **LOC (10) Cl.** ..... **19-02**

(52) **U.S. Cl.**  
USPC ..... **D19/69**

(58) **Field of Classification Search**  
USPC ..... D19/70, 69, 36, 68; 242/588.6, 588.2;  
225/77, 6, 56, 39, 26, 25, 19, 11;  
206/411; 156/577, 527, 523; D8/354,  
D8/382, 385, 499  
CPC ..... B65H 35/0026; B65H 35/0073; B65H  
35/0033; B65H 35/007; B26F 3/02  
See application file for complete search history.

(56) **References Cited**

**U.S. PATENT DOCUMENTS**

1,987,990	A *	1/1935	Clinton	.....	242/118.61
2,622,825	A *	12/1952	Faris	.....	242/118.61
D217,052	S	3/1970	Jones		
D230,264	S	2/1974	Howard		
4,128,215	A *	12/1978	Underwood	.....	242/608.6
D264,429	S *	5/1982	Foscarini et al.	.....	D8/385
4,389,934	A	6/1983	Holland-Letz		
4,497,420	A	2/1985	Stelcher et al.		
4,513,173	A *	4/1985	Merry	.....	174/121 A
4,543,095	A	9/1985	Jensen		
D291,434	S *	8/1987	Fujimoto	.....	D14/484

4,754,537	A *	7/1988	Lee	.....	29/895.212
D298,839	S *	12/1988	Soderberg et al.	.....	D19/69
4,986,524	A	1/1991	Meintzer, Jr. et al.		

(Continued)

**FOREIGN PATENT DOCUMENTS**

DE	202005017265	U1	1/2006
JP	09314947	A	12/1997

(Continued)

**OTHER PUBLICATIONS**

Written Opinion issued Apr. 26, 2013 in PCT application No. PCT/US2013/020274; 8 pages.

(Continued)

*Primary Examiner* — Austin Murphy

(74) *Attorney, Agent, or Firm* — Gardere Wynne Sewell LLP

(57) **CLAIM**

The ornamental design for a reel, as shown and described.

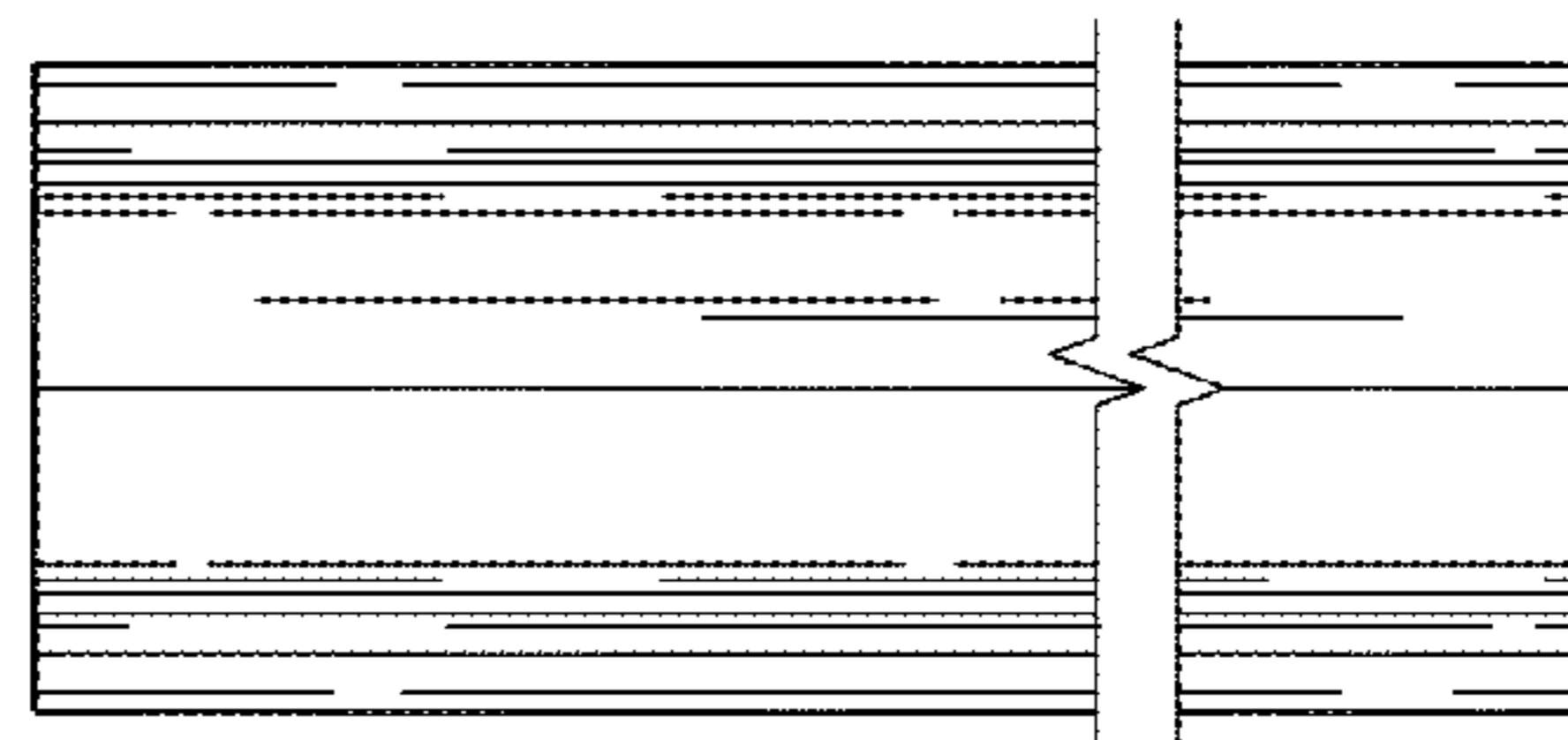
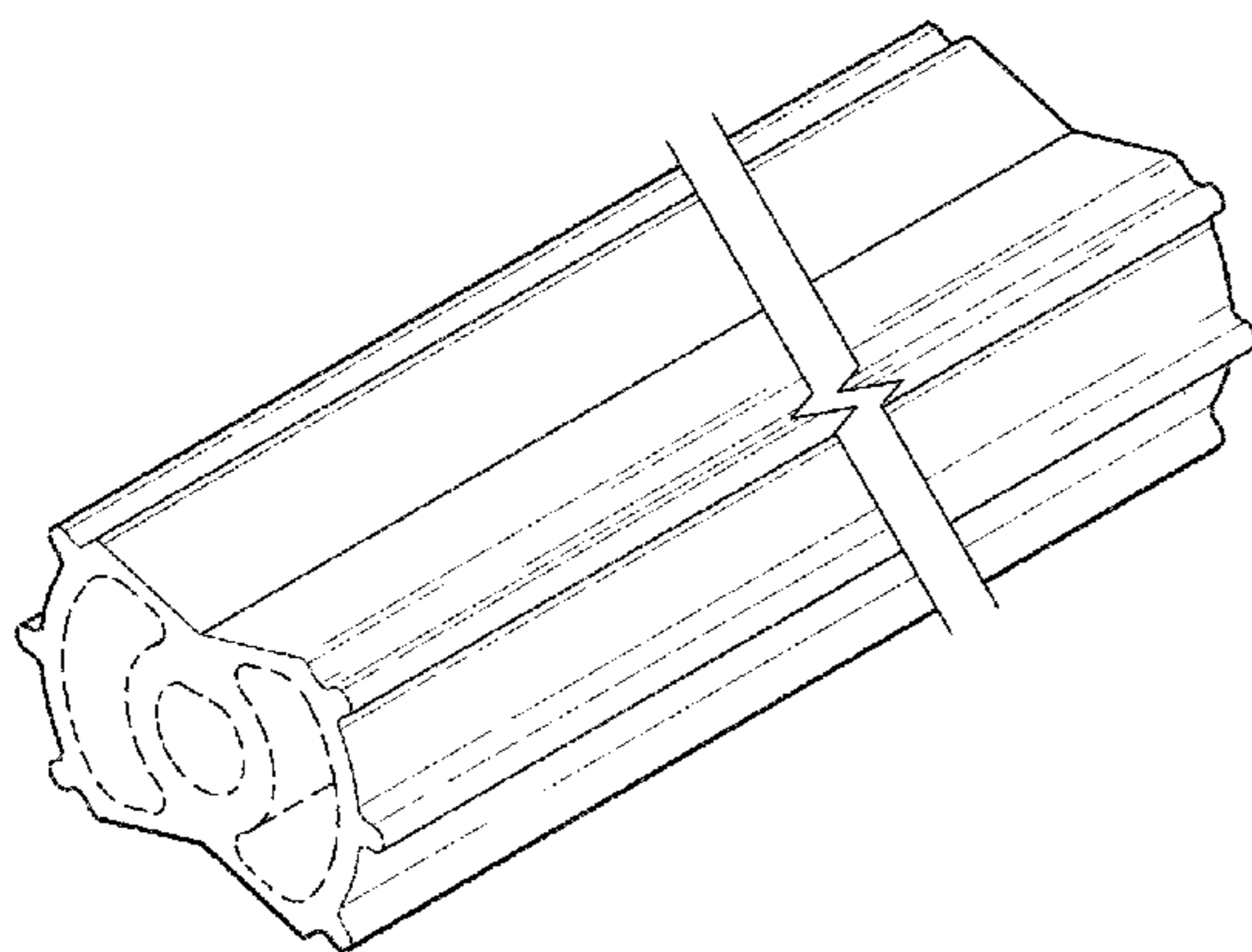
**DESCRIPTION**

FIG. 1 is a first perspective view of a reel;  
FIG. 2 is front end view of the reel shown in FIG. 1, the rear end view being a mirror image thereof;  
FIG. 3 is a top plan view of the reel shown in FIG. 1, the bottom view being a mirror image thereof; and,  
FIG. 4 is a right side view of the reel of FIG. 1, the left side view being a mirror image thereof.

The article is shown with portions cut away to indicate no specific length/height/width. The examiner finds the claim definite under 35 U.S.C. 112, second paragraph with the understanding that the portion(s) of the article not shown form no part of the claimed design. Patentability is based only on those portions of the article shown in solid lines.

The broken lines in FIGS. 1 and 4 form no part of the claimed design.

**1 Claim, 1 Drawing Sheet**



(56)

References Cited

U.S. PATENT DOCUMENTS

5,056,945 A 10/1991 Klodt  
 5,103,528 A \* 4/1992 Olson et al. .... 16/2.2  
 D336,493 S 6/1993 Brussing  
 D340,942 S 11/1993 Smith  
 5,279,469 A 1/1994 Foit  
 5,445,703 A 8/1995 Steeves et al.  
 5,564,646 A \* 10/1996 Clarelli ..... 242/578.2  
 5,660,354 A \* 8/1997 Ripplinger ..... 242/608  
 5,674,350 A 10/1997 Jurgich  
 5,851,348 A 12/1998 Muenzer et al.  
 5,947,159 A \* 9/1999 Takahashi ..... 138/156  
 6,073,869 A \* 6/2000 Schulz ..... 242/118.7  
 6,390,711 B1 5/2002 Brunetti  
 D458,285 S \* 6/2002 Votruba et al. .... D15/143  
 6,588,697 B2 \* 7/2003 Kitayama ..... 242/608.6  
 D498,131 S \* 11/2004 Peacock et al. .... D8/331  
 D504,312 S \* 4/2005 Peacock ..... D8/382  
 D523,141 S \* 6/2006 Massey ..... D24/121  
 D525,008 S \* 7/2006 Hubbard ..... D34/27  
 D546,665 S \* 7/2007 Medlin ..... D8/382  
 7,318,877 B2 1/2008 Harte

7,717,149 B2 5/2010 Johnson  
 D617,515 S \* 6/2010 Dunn ..... D32/35  
 D620,979 S 8/2010 Renner et al.  
 7,819,357 B2 \* 10/2010 Fox et al. .... 242/573.9  
 7,919,027 B2 4/2011 Nordlinder et al.  
 D643,158 S 8/2011 Lipscomb et al.  
 D677,730 S \* 3/2013 Yu Chen ..... D19/69  
 2002/0117263 A1 8/2002 McKenney et al.  
 2003/0049093 A1 \* 3/2003 Ritter et al. .... 411/21  
 2006/0096999 A1 5/2006 Horng et al.  
 2007/0113986 A1 5/2007 Harte

FOREIGN PATENT DOCUMENTS

JP 11-176463 A 7/1999  
 JP 2005089035 A 4/2005  
 JP 2010023964 A 2/2010

OTHER PUBLICATIONS

International Search Report issued Apr. 26, 2013 in PCT application  
 No. PCT/US2013/020274; 6 pages.

\* cited by examiner

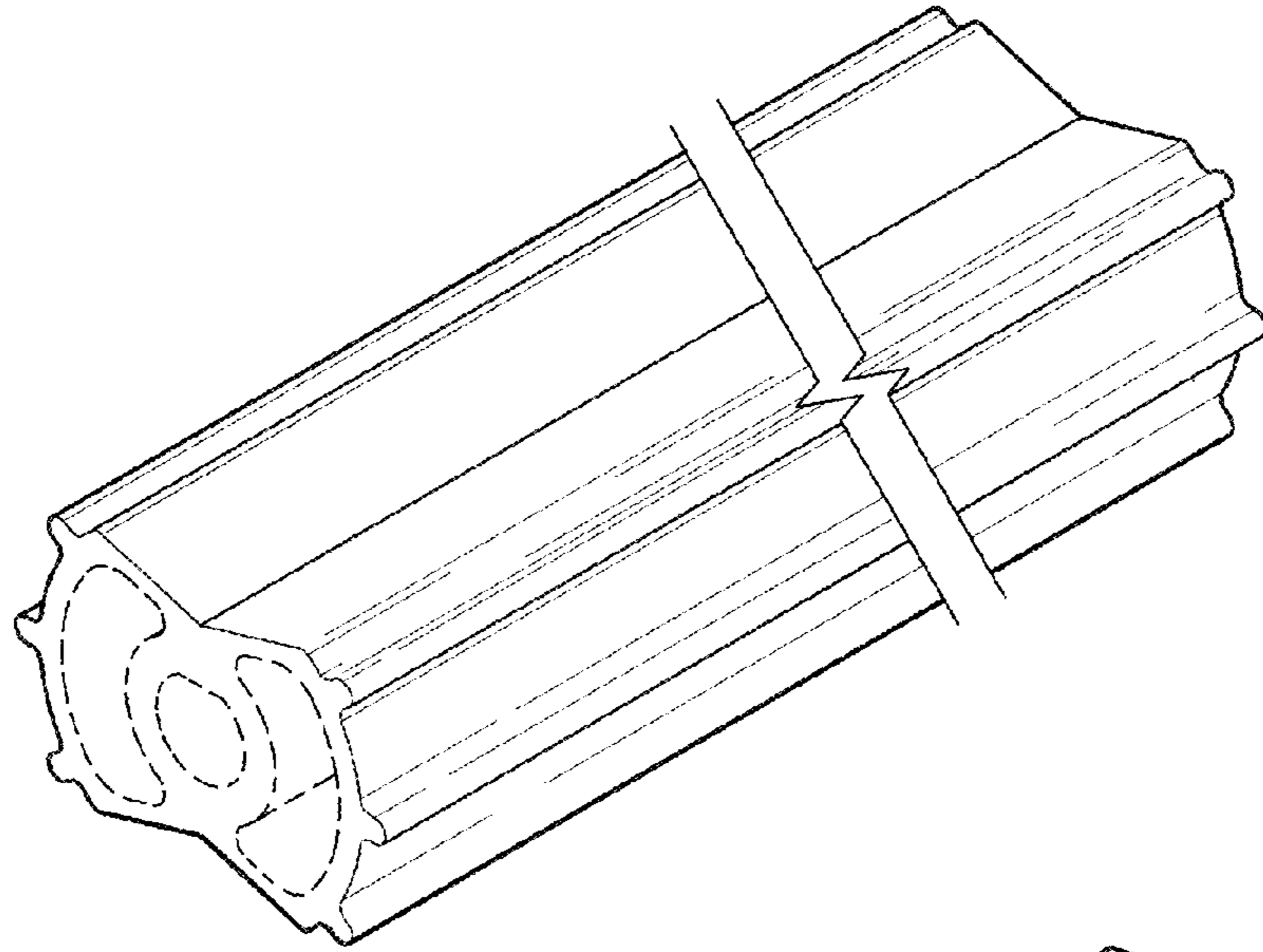


FIG. 1

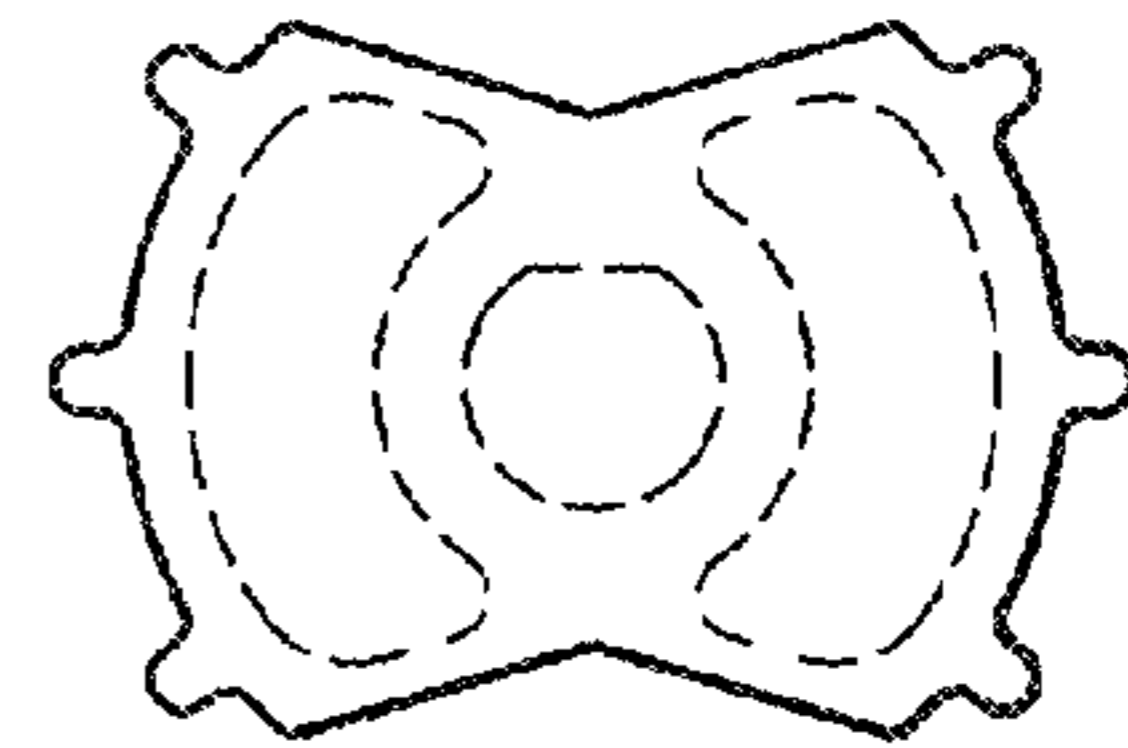


FIG. 2

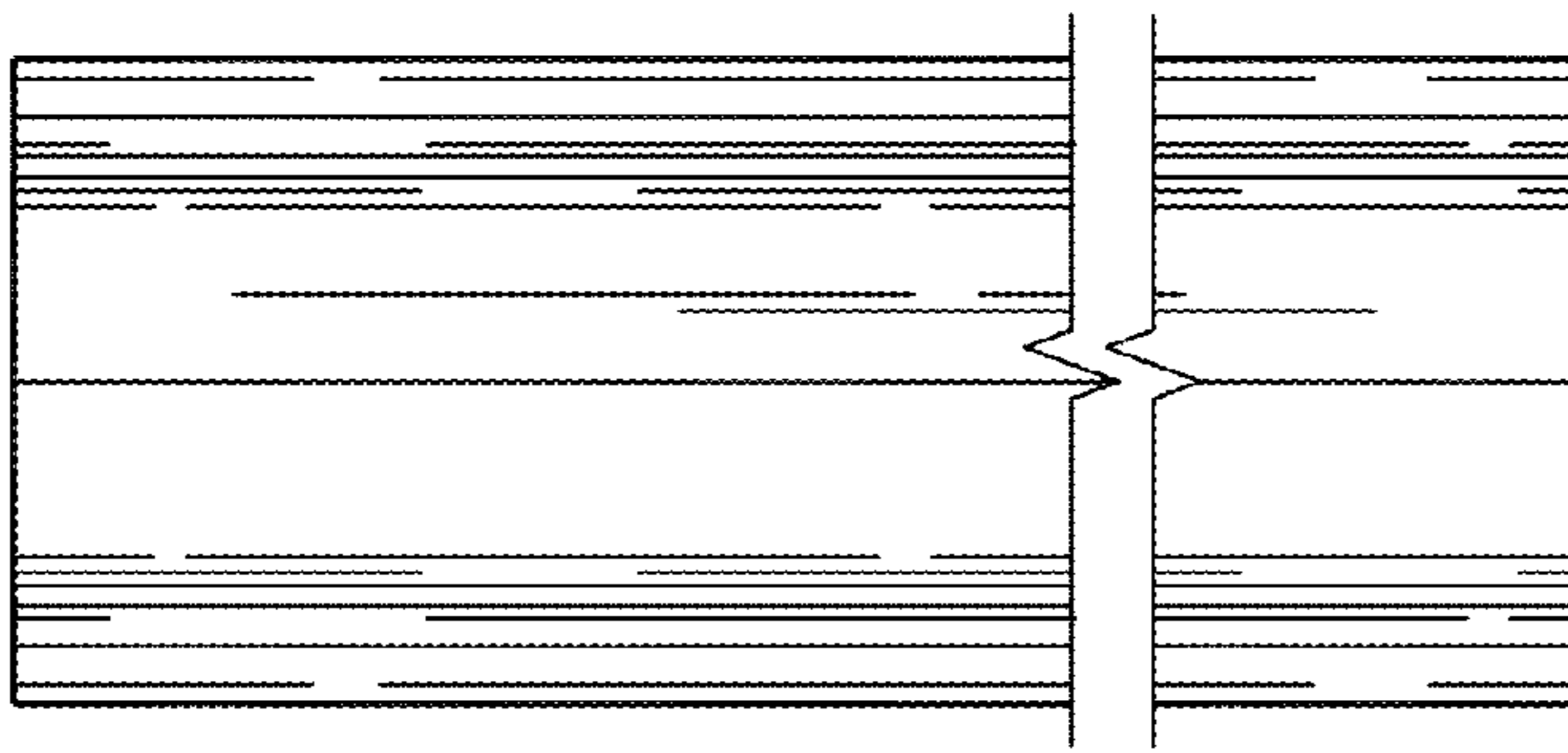


FIG. 3

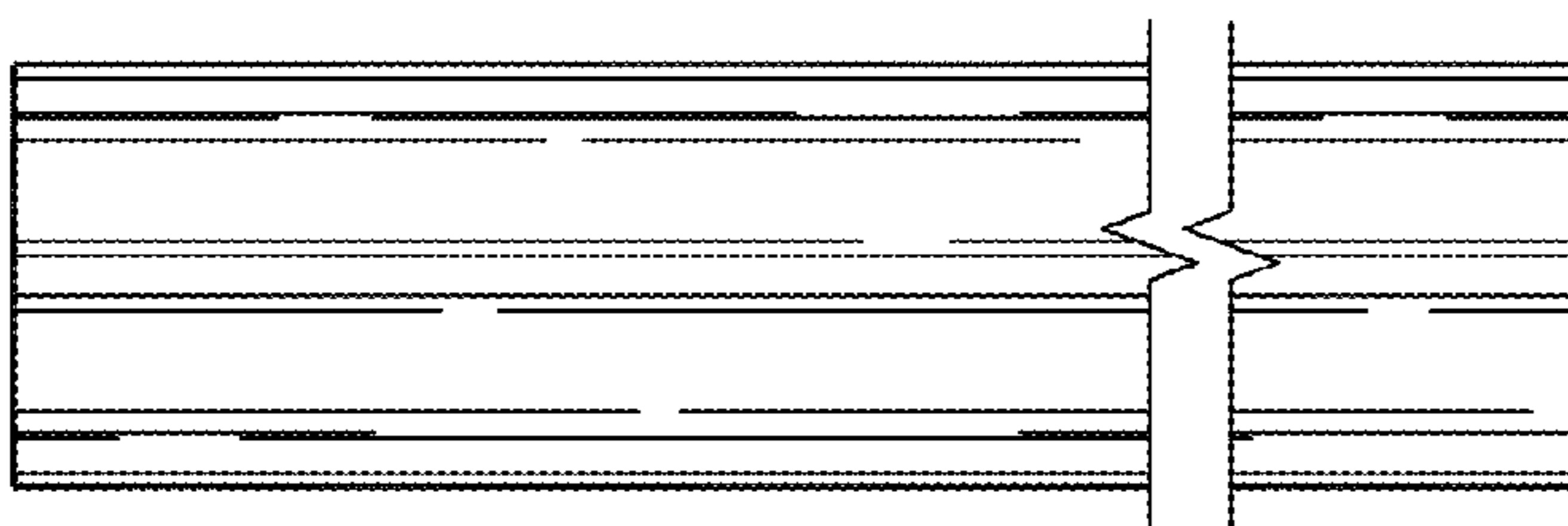


FIG. 4