



US00D737365S

(12) **United States Design Patent**
Drushal et al.

(10) **Patent No.:** **US D737,365 S**

(45) **Date of Patent:** **** Aug. 25, 2015**

(54) **PERCUSSION INSTRUMENT**

(71) Applicant: **Pitch Slap Percussion LLC**, Boynton Beach, FL (US)

(72) Inventors: **Charles Trevor Drushal**, North Palm Beach, FL (US); **Jeffrey C. Poppe**, Lake Worth, FL (US)

(73) Assignee: **Pitch Slap Percussion LLC**, Boynton Beach, FL (US)

(**) Term: **14 Years**

(21) Appl. No.: **29/444,399**

(22) Filed: **Jan. 30, 2013**

(51) **LOC (10) Cl.** **17-04**

(52) **U.S. Cl.**
USPC **D17/22**

(58) **Field of Classification Search**
USPC D17/22, 99; 84/600, 104, 107, 113, 84/723, 411 R, 414, 415, 416, 420, 411 P, 84/DIG. 12

See application file for complete search history.

(56) **References Cited**

U.S. PATENT DOCUMENTS

3,263,551	A *	8/1966	Musser	84/484
D366,996	S *	2/1996	Torres	D8/29
7,161,078	B2	1/2007	Becker-Ehmck	
7,692,083	B2	4/2010	Aspland	
8,263,848	B2 *	9/2012	Aspland	84/415
8,487,170	B2 *	7/2013	Klein	84/411 R
2008/0034944	A1 *	2/2008	Aspland	84/415
2010/0031802	A1 *	2/2010	Millender et al.	84/411 R
2010/0050852	A1 *	3/2010	Aspland	84/415
2011/0296973	A1 *	12/2011	Herrera	84/411 R
2012/0000342	A1 *	1/2012	Klein	84/415
2013/0068083	A1 *	3/2013	Eduardo	84/411 R
2013/0180382	A1 *	7/2013	Buchner	84/411 R

2013/0269502	A1 *	10/2013	Boulet	84/421
2014/0000436	A1 *	1/2014	Klein	84/415
2014/0041508	A1 *	2/2014	Trask	84/415

FOREIGN PATENT DOCUMENTS

DE	202011001566	U1 *	7/2011	
DE	102010047488	A1 *	2/2012	
EP	2450876	A1 *	5/2012	
ES	1073806		2/2011	
JP	2004012987	A *	1/2004 G10D 13/00
WO	2011033434		3/2011	
WO	WO 2013026502	A2 *	2/2013	
WO	WO2013116317	A1 *	8/2013	

OTHER PUBLICATIONS

International Search Report & Written Opinion dated Apr. 18, 2013 received for international application No. PCT/US2013/023814.
International Preliminary Report on Patentability dated Aug. 5, 2014 received for PCT Application No. PCT/US2013/023814.

* cited by examiner

Primary Examiner — Rashida Johnson

(74) *Attorney, Agent, or Firm* — Fleit Gibbons Gutman Bongini & Bianco PL; Jon A. Gibbons

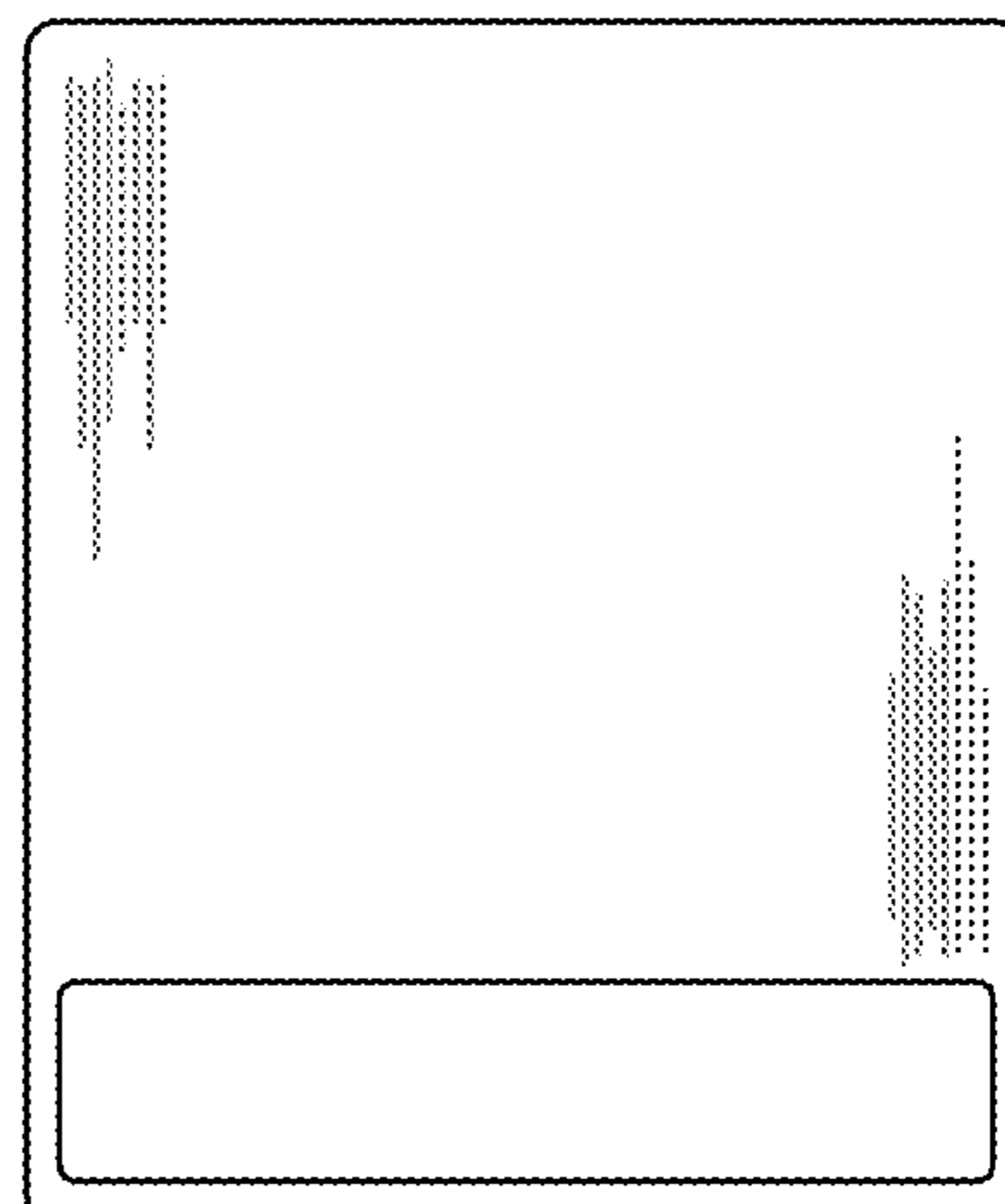
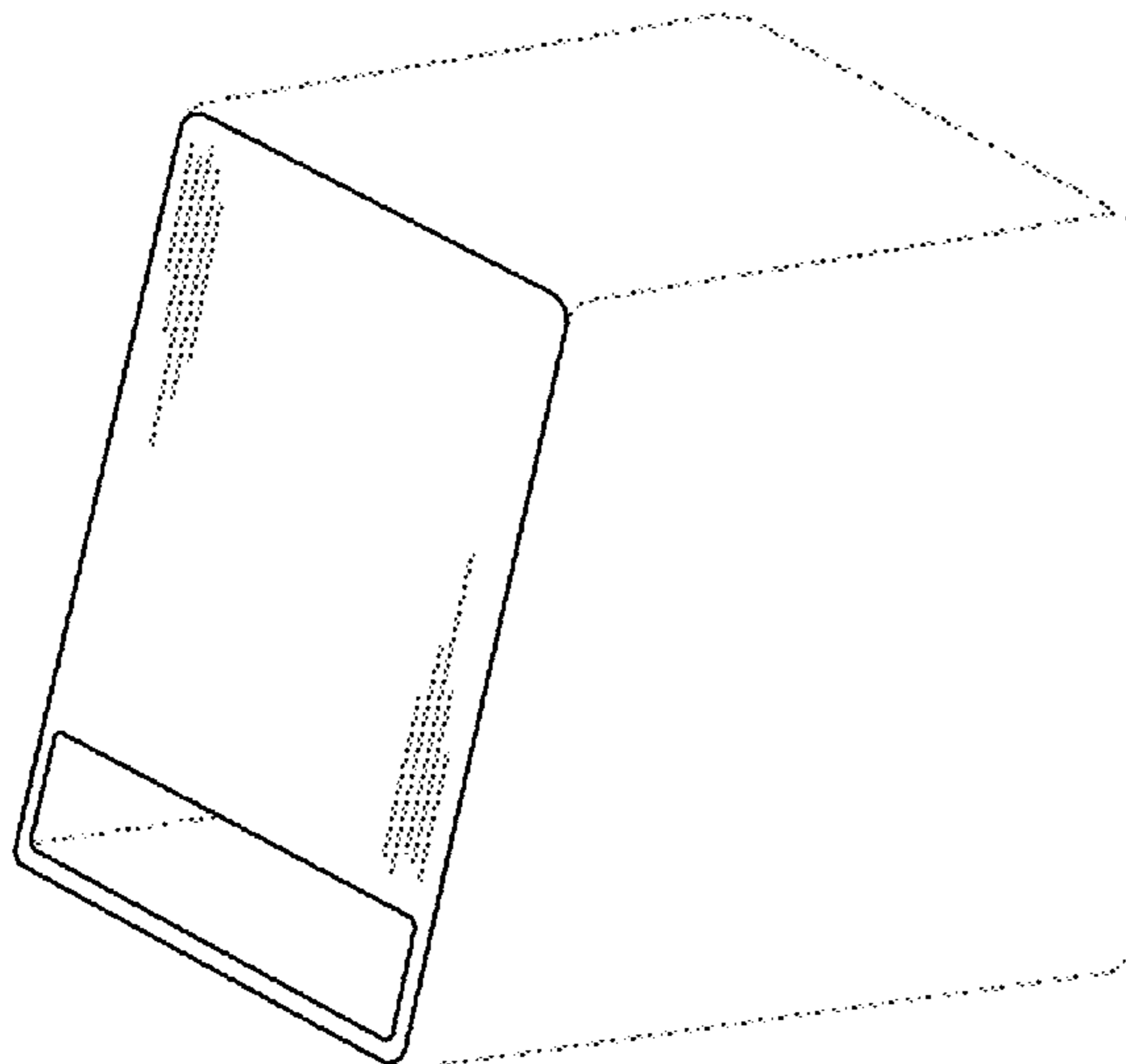
(57) **CLAIM**

The ornamental design for a percussion instrument, as shown and described.

DESCRIPTION

FIG. 1 is a front isometric view of a percussion instrument, showing our new design;
FIG. 2 is a front view thereof;
FIG. 3 is a top view thereof;
FIG. 4 is a bottom view thereof;
FIG. 5 is a right side view thereof; and,
FIG. 6 is a left side view thereof.
The broken lines represent the portions of the percussion instrument, which form no part of the claimed design.

1 Claim, 3 Drawing Sheets



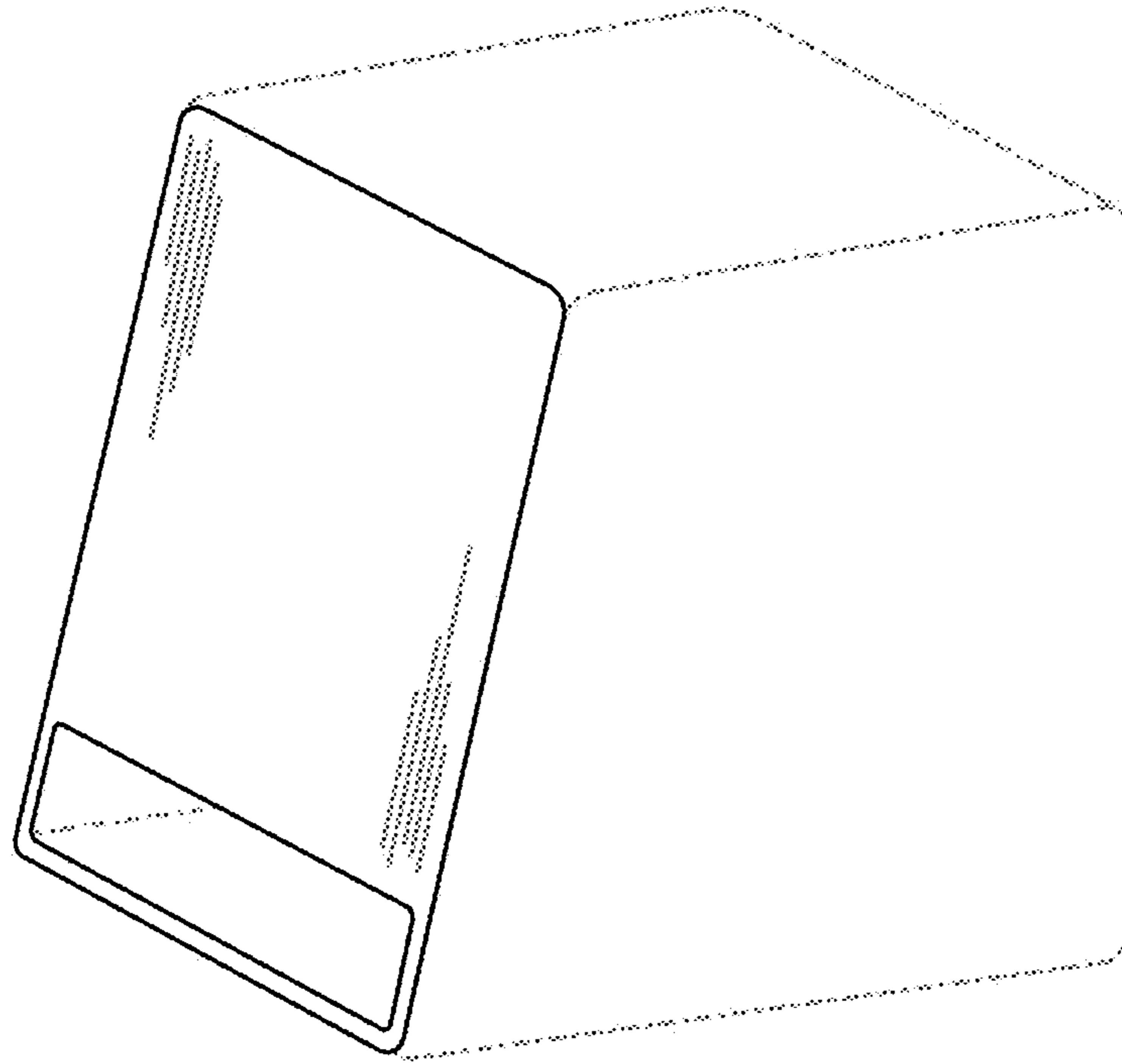


FIG. 1

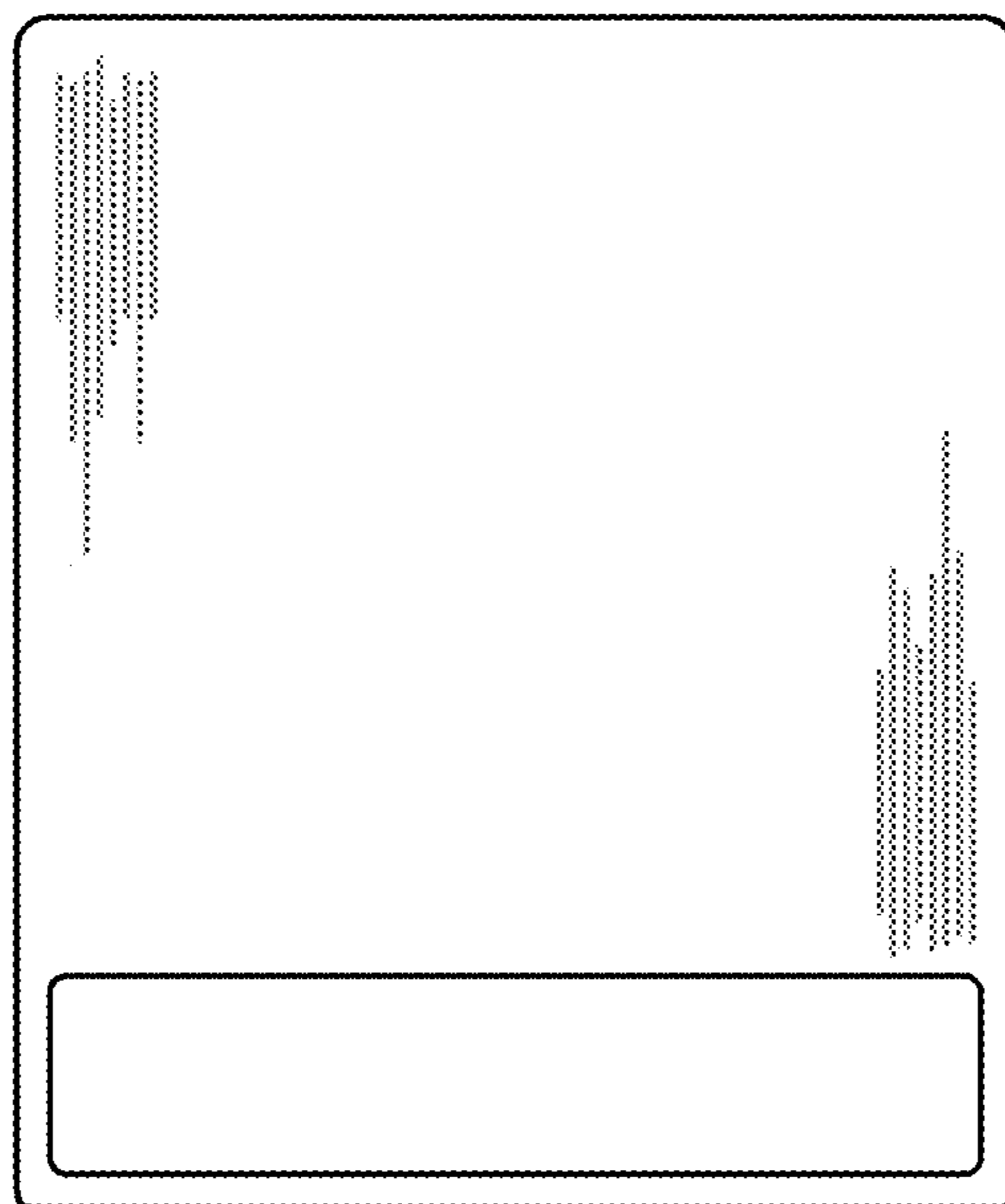


FIG. 2

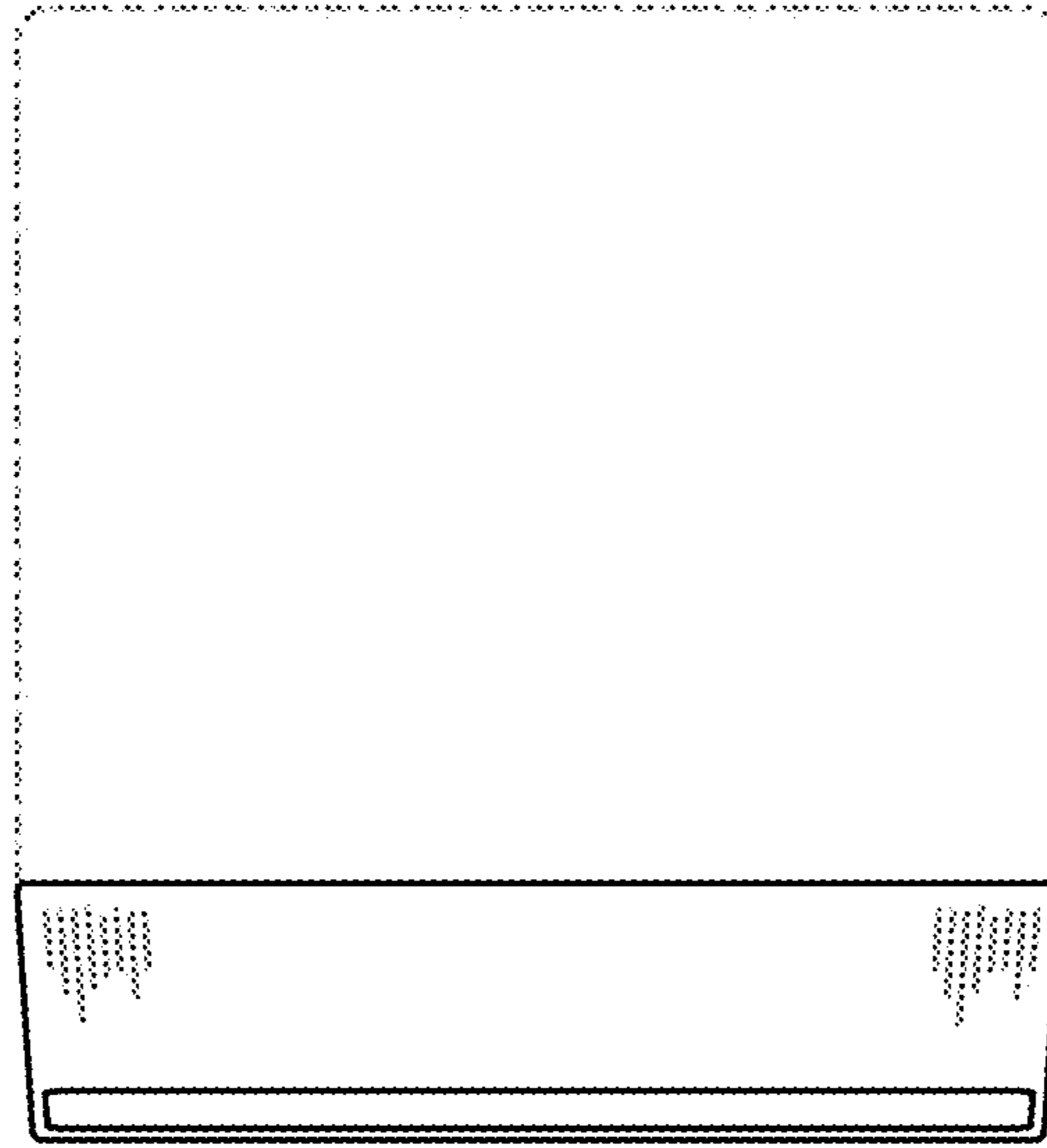


FIG. 3

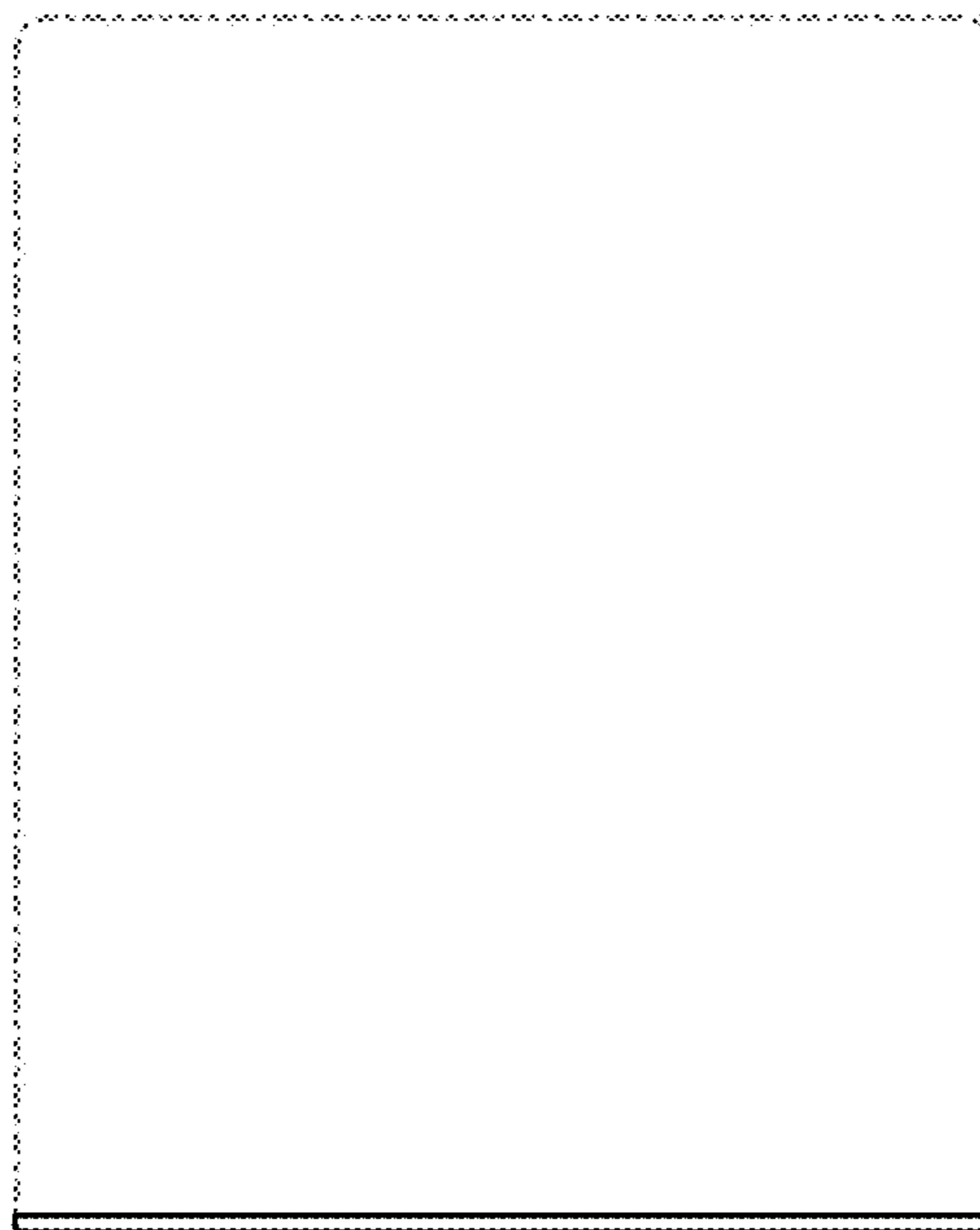


FIG. 4

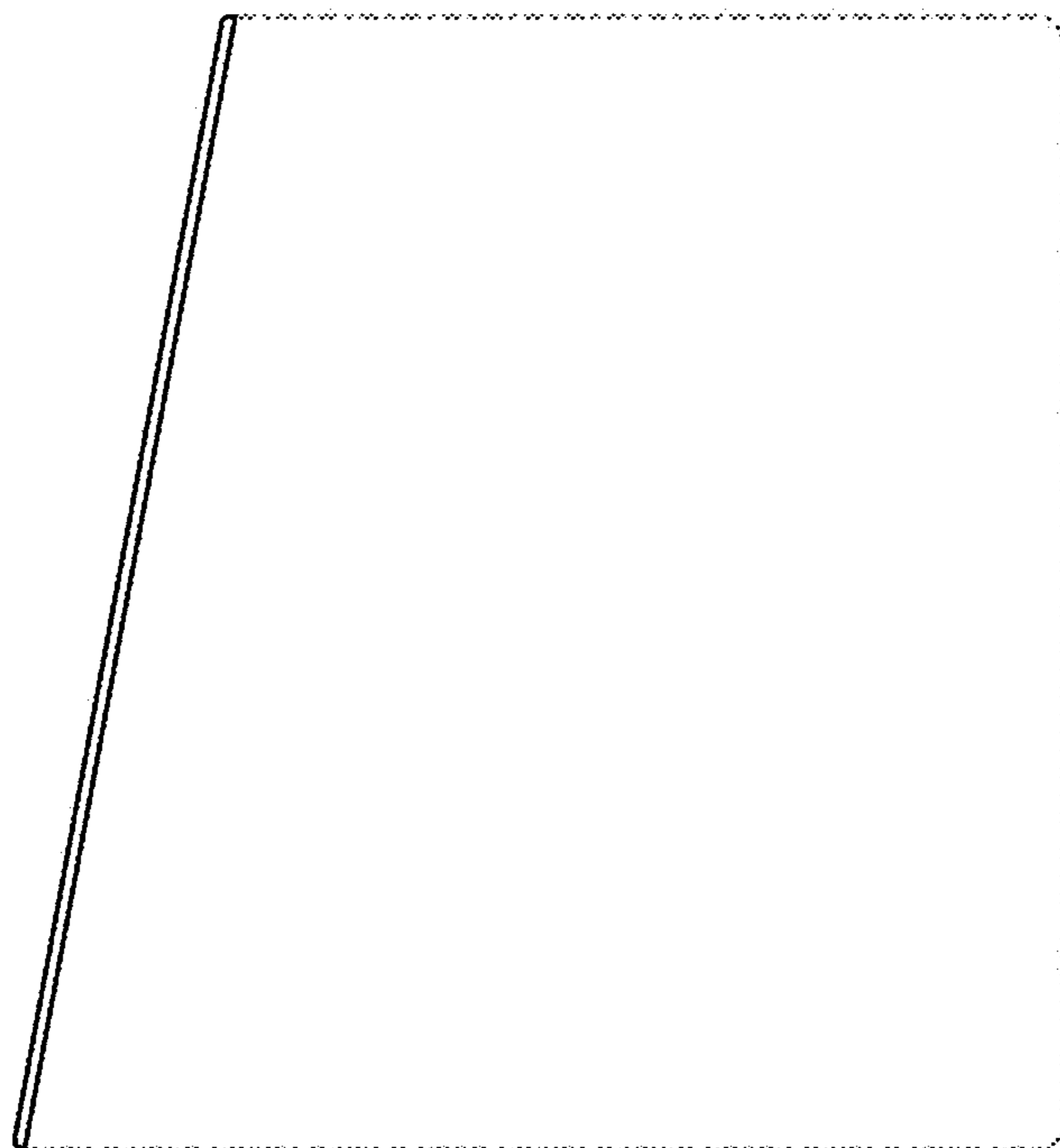


FIG. 5

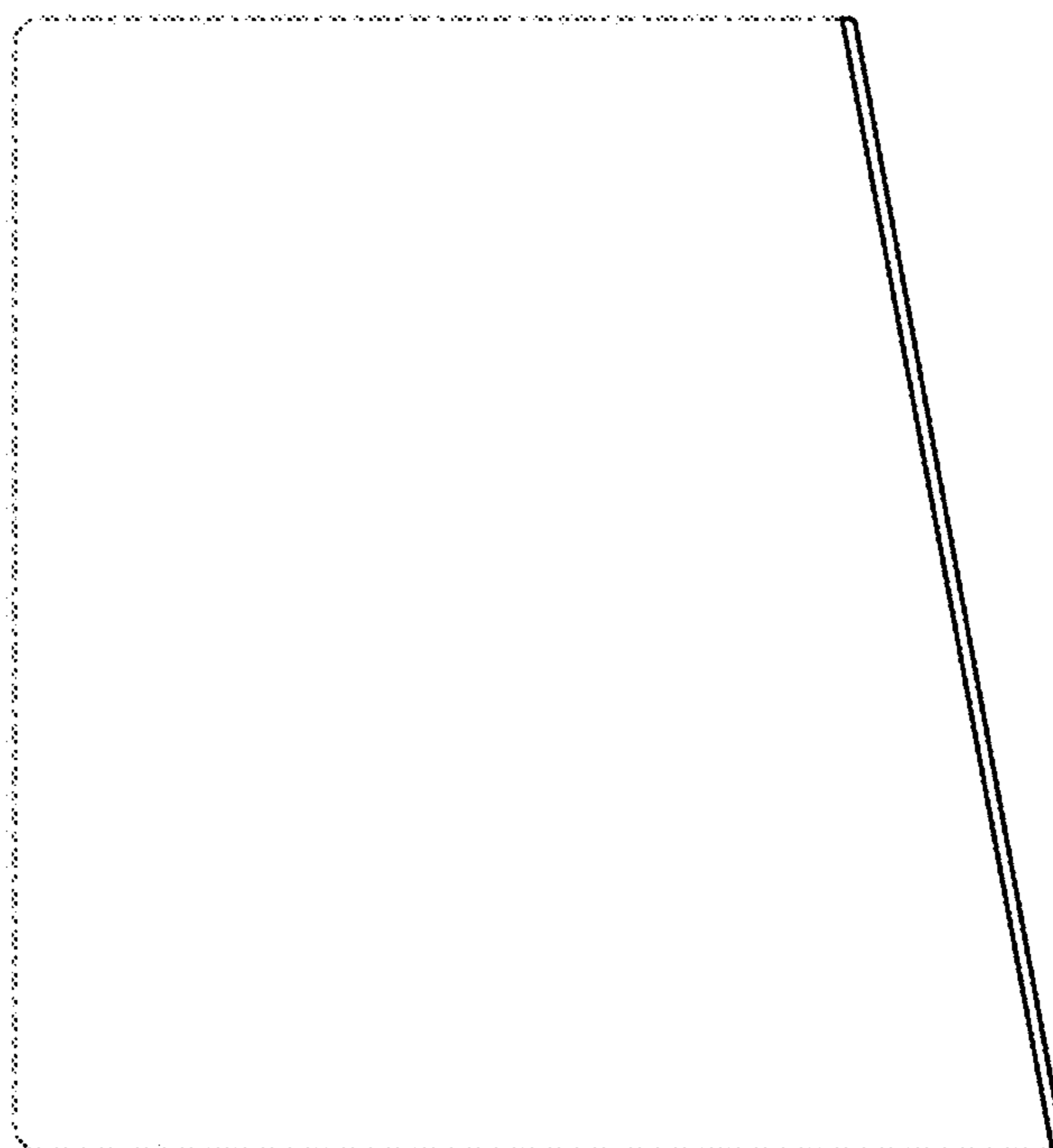


FIG. 6