



US00D737363S

(12) **United States Design Patent**
Russell

(10) **Patent No.:** **US D737,363 S**

(45) **Date of Patent:** **** Aug. 25, 2015**

- (54) **SMARTPHONE LENS MOUNT**
- (71) Applicant: **Robert Russell**, Sikeston, MO (US)
- (72) Inventor: **Robert Russell**, Sikeston, MO (US)
- (**) Term: **14 Years**
- (21) Appl. No.: **29/483,234**
- (22) Filed: **Feb. 26, 2014**
- (51) **LOC (10) Cl.** **16-05**
- (52) **U.S. Cl.**
USPC **D16/242**; D16/208
- (58) **Field of Classification Search**
USPC D16/200–202, 203, 204, 208, 218, 242;
248/177.1; 348/373–376;
396/535–541, 428, 429
CPC H04N 5/22; H04N 5/25; H04N 5/32
See application file for complete search history.

7,194,204	B2	3/2007	Gordon	
7,333,270	B1	2/2008	Pochapsky et al.	
7,369,302	B2	5/2008	Gaber	
7,614,805	B2	11/2009	Showalter	
D605,680	S *	12/2009	Okada	D16/218
7,739,822	B1	6/2010	Holmberg	
7,891,131	B2	2/2011	Holmberg	
8,259,223	B2 *	9/2012	Okada	348/373
8,656,624	B2	2/2014	Holmberg	
8,947,589	B1 *	2/2015	Okabe et al.	348/373
2002/0071050	A1 *	6/2002	Holmberg	348/373
2013/0222668	A1 *	8/2013	Anderson	348/333.08

* cited by examiner

Primary Examiner — Adir Aronovich

(74) *Attorney, Agent, or Firm* — Haugen Law Firm PLLP

(57) **CLAIM**

The ornamental design for a smartphone lens mount, as shown and described.

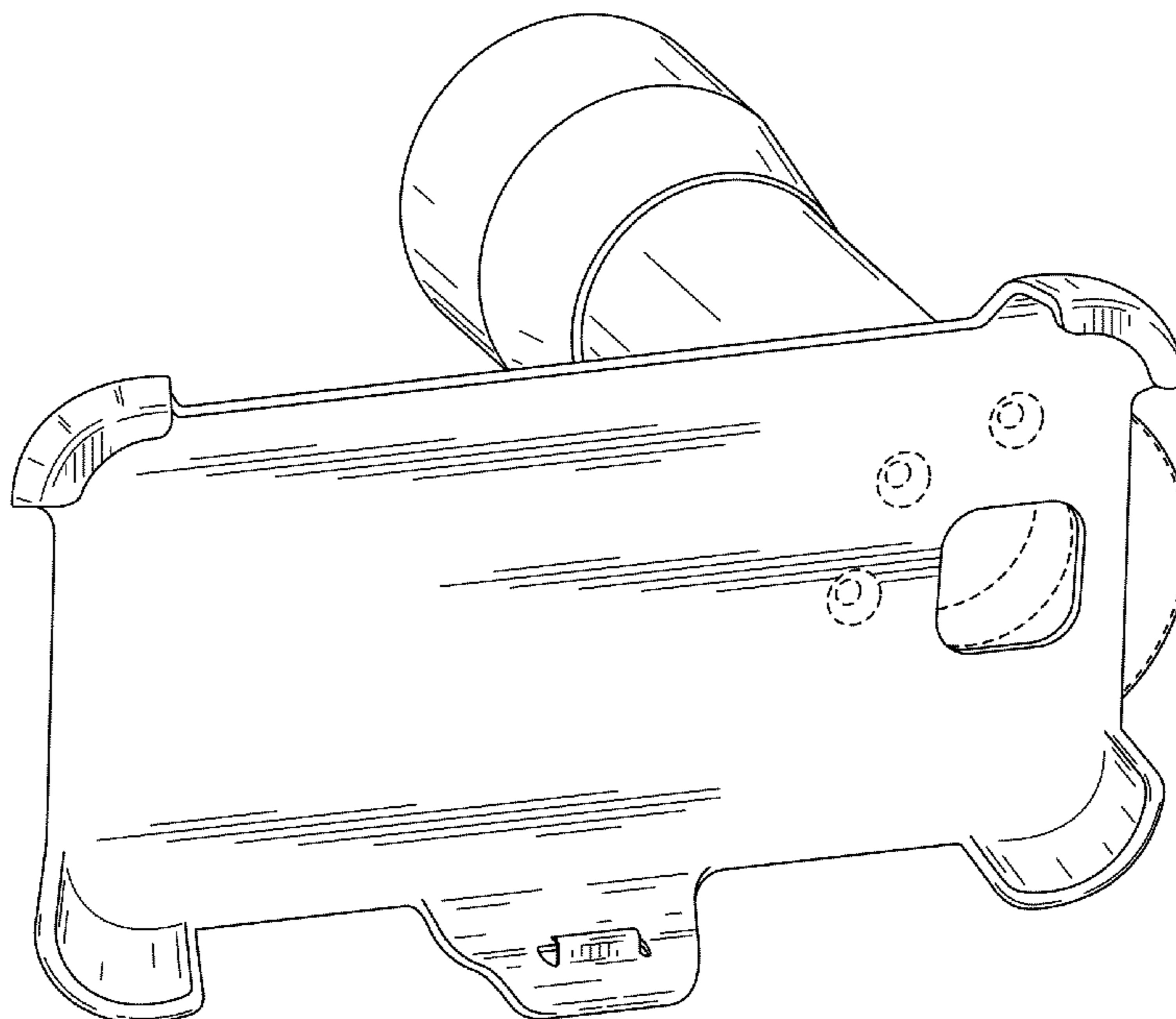
DESCRIPTION

FIG. 1 is a rear perspective view of a smartphone lens mount showing my new design;
 FIG. 2 is a rear elevational view thereof;
 FIG. 3 is a front elevational view thereof;
 FIG. 4 is a left side elevational view thereof;
 FIG. 5 is a right side elevational view thereof;
 FIG. 6 is a top plan view thereof; and,
 FIG. 7 is a bottom plan view thereof.
 The broken lines showing the interior of the lens apparatus and various screw components are for illustrative purposes only and form no part of the invention.

1 Claim, 7 Drawing Sheets

(56) **References Cited**
U.S. PATENT DOCUMENTS

2,933,992	A	4/1960	Bushnell et al.	
3,940,777	A	2/1976	Komine	
4,013,339	A	3/1977	Ando et al.	
4,078,864	A	3/1978	Howell	
4,290,219	A	9/1981	Boller et al.	
4,409,475	A	10/1983	Zehnpfennig	
4,815,822	A *	3/1989	Bramhall	359/601
5,026,158	A	6/1991	Golubic	
6,019,326	A	2/2000	Baerwolf et al.	
6,819,495	B2	11/2004	Shani et al.	
7,121,036	B1	10/2006	Florence et al.	



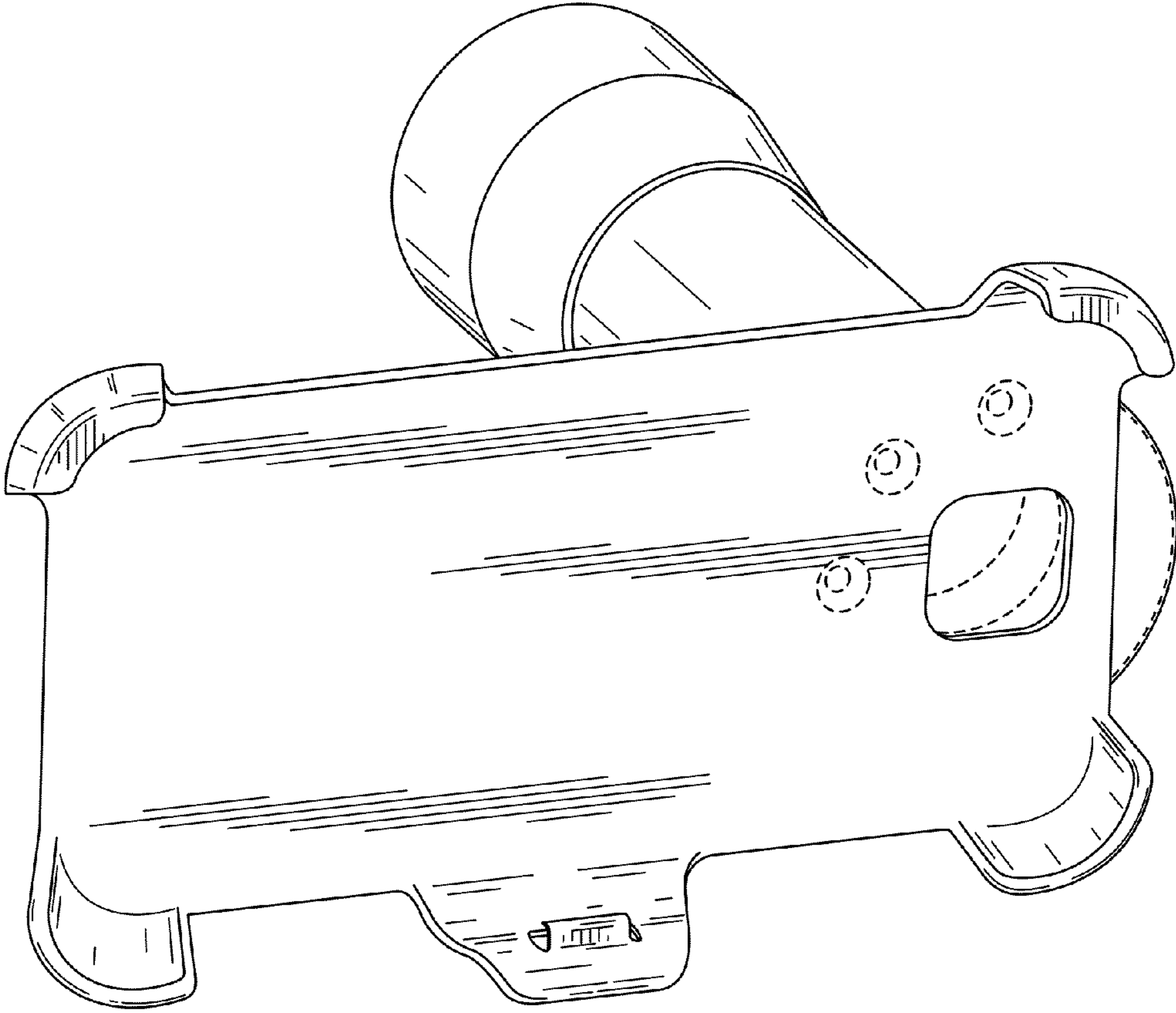


FIG. 1

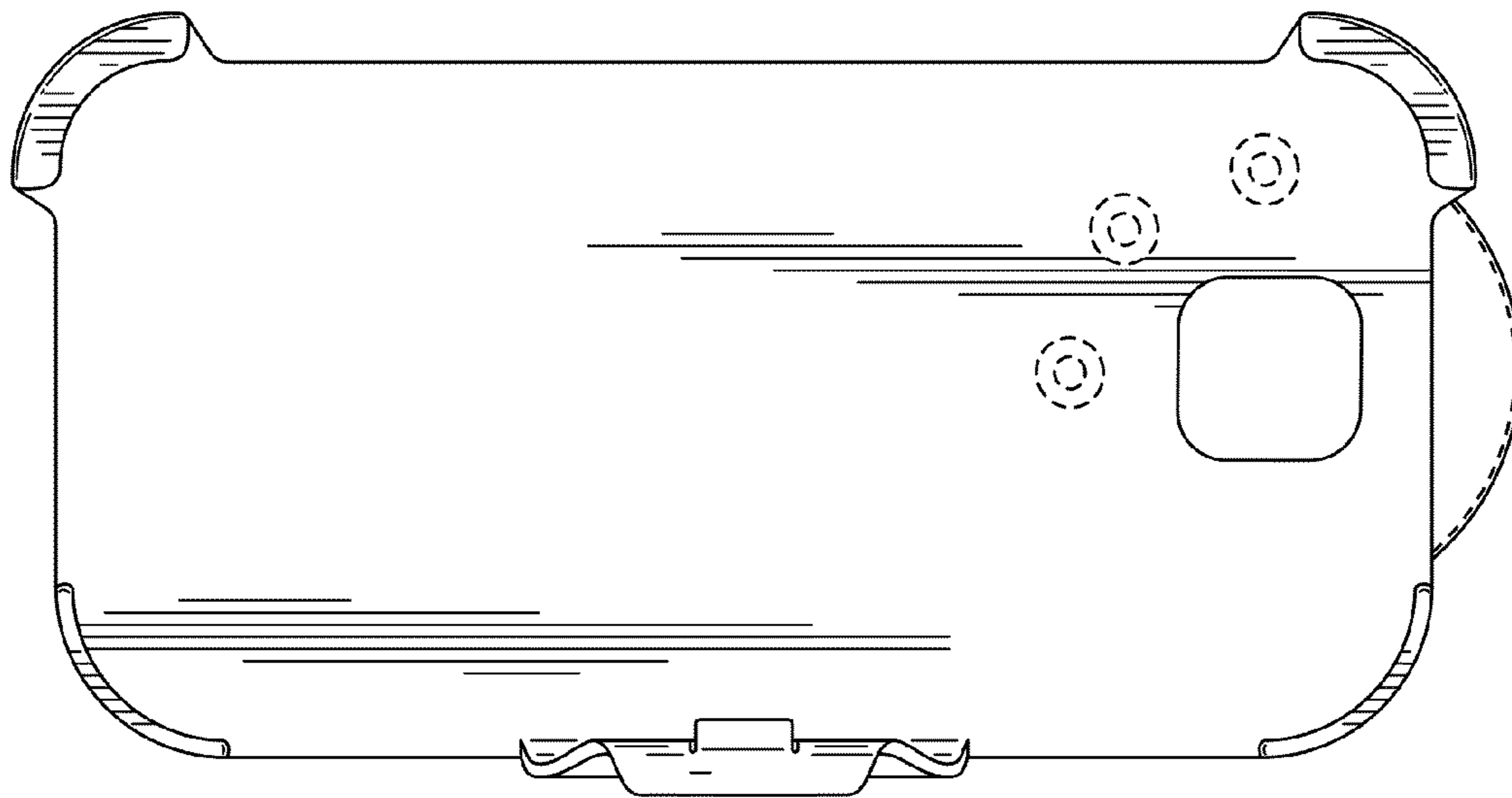


FIG. 2

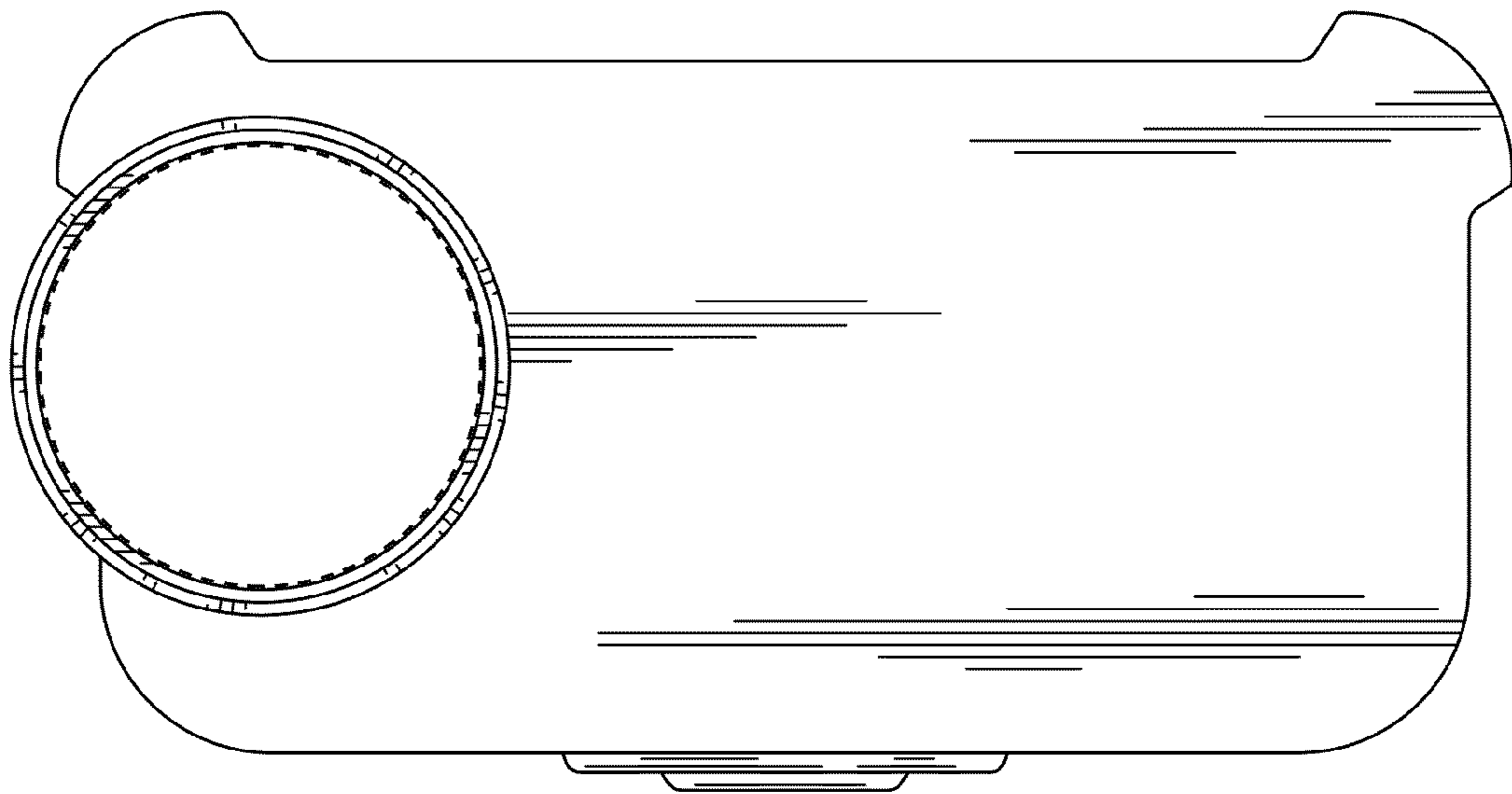


FIG. 3

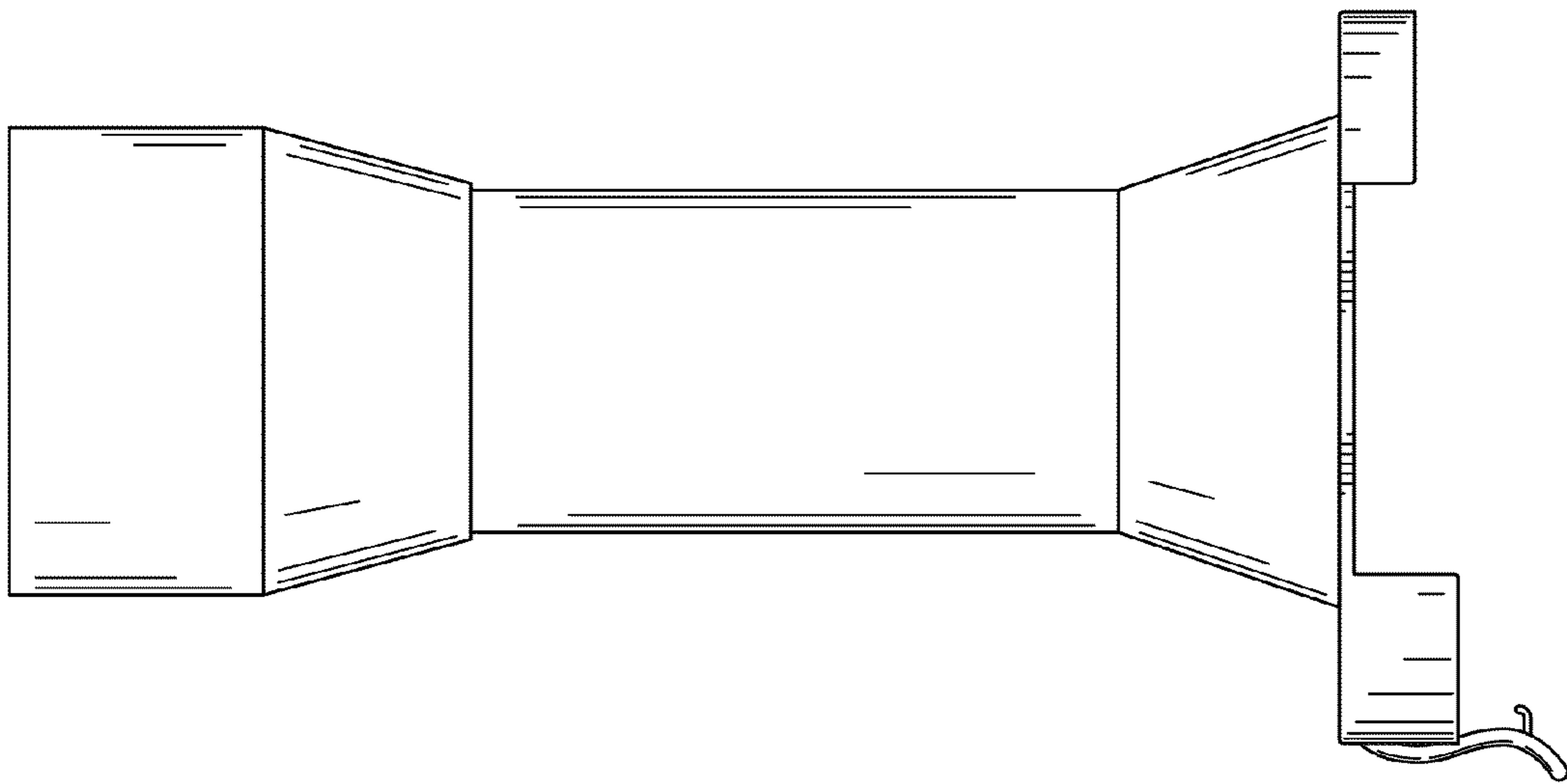


FIG. 4

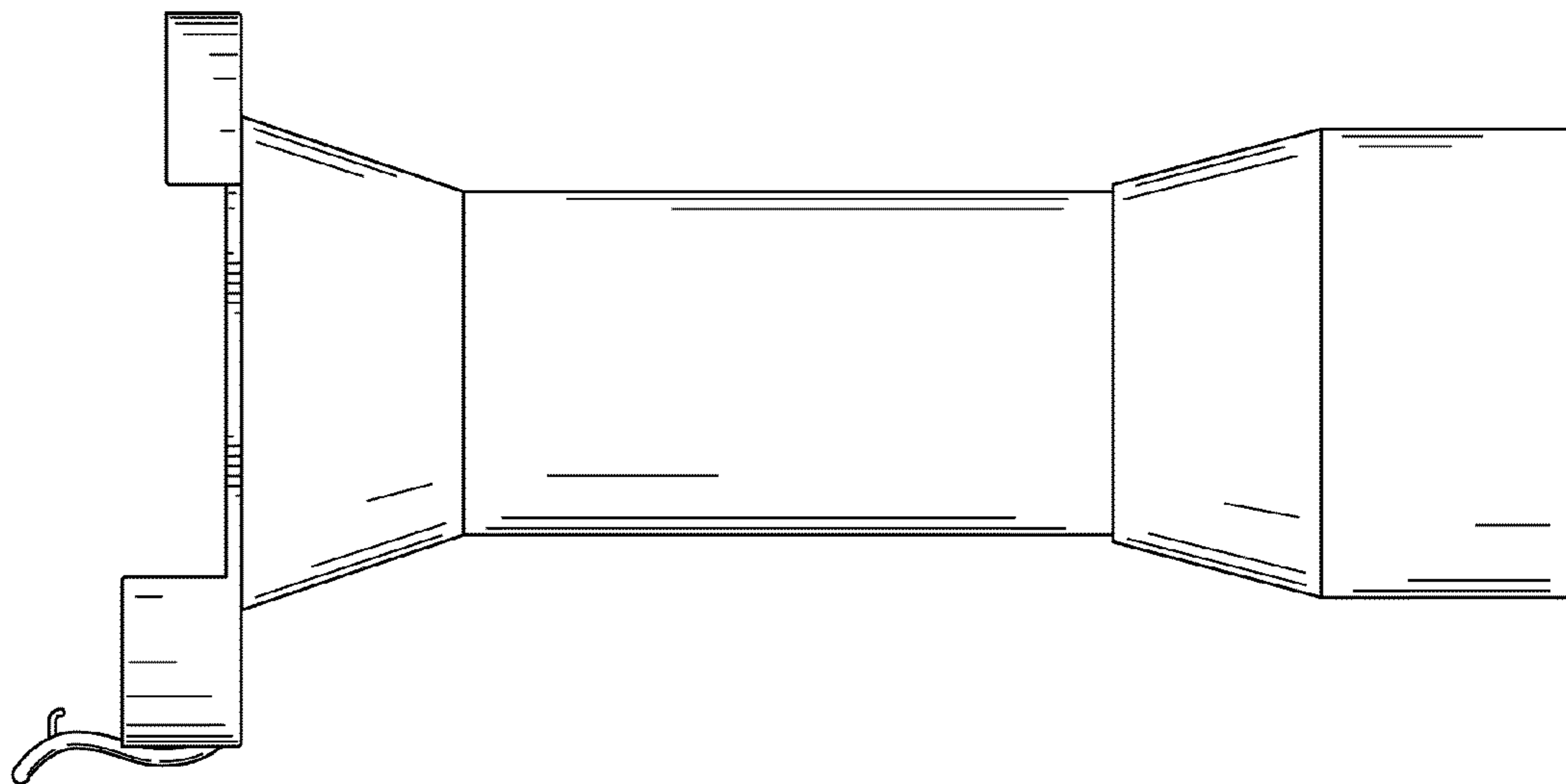


FIG. 5

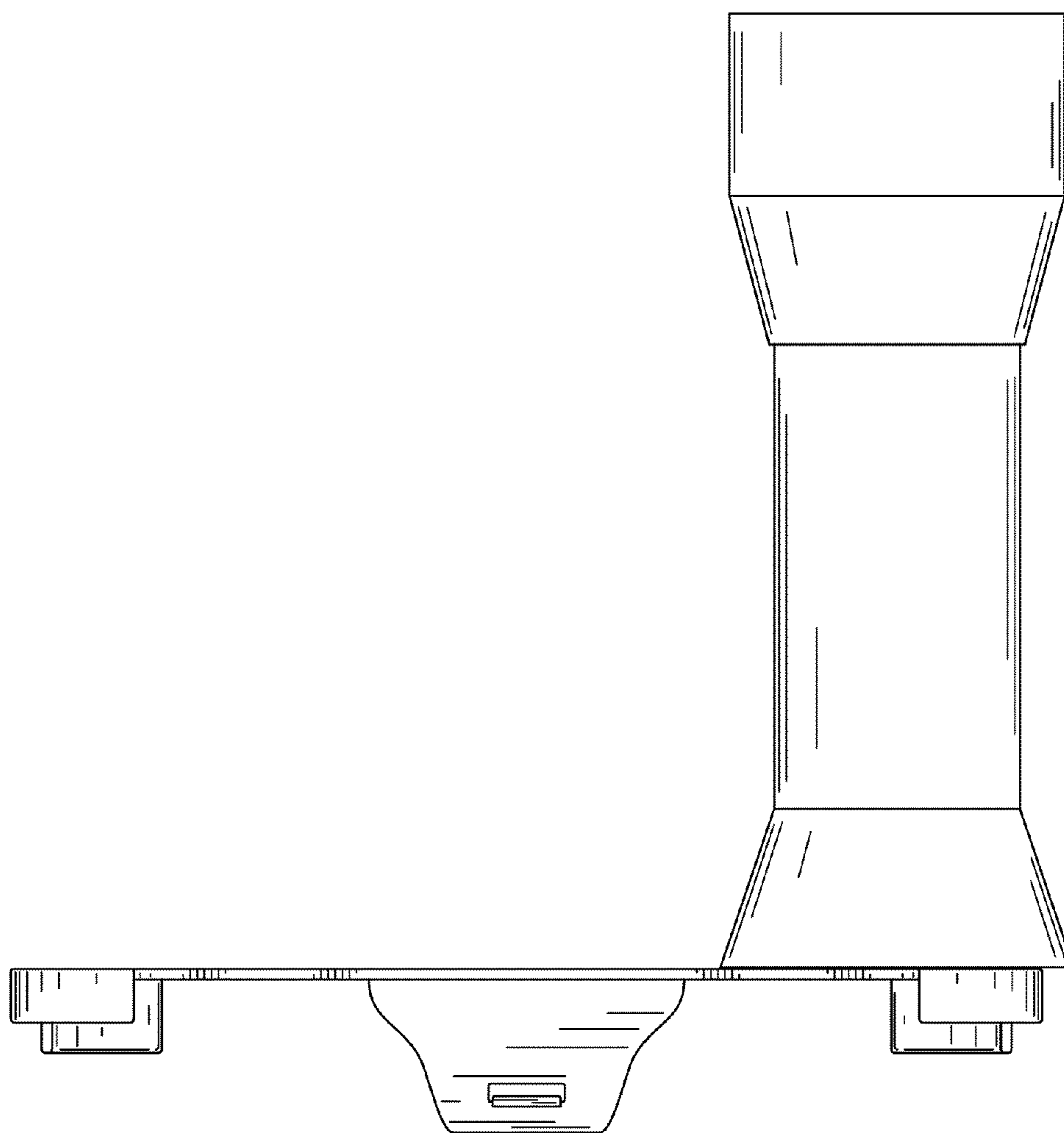


FIG. 6

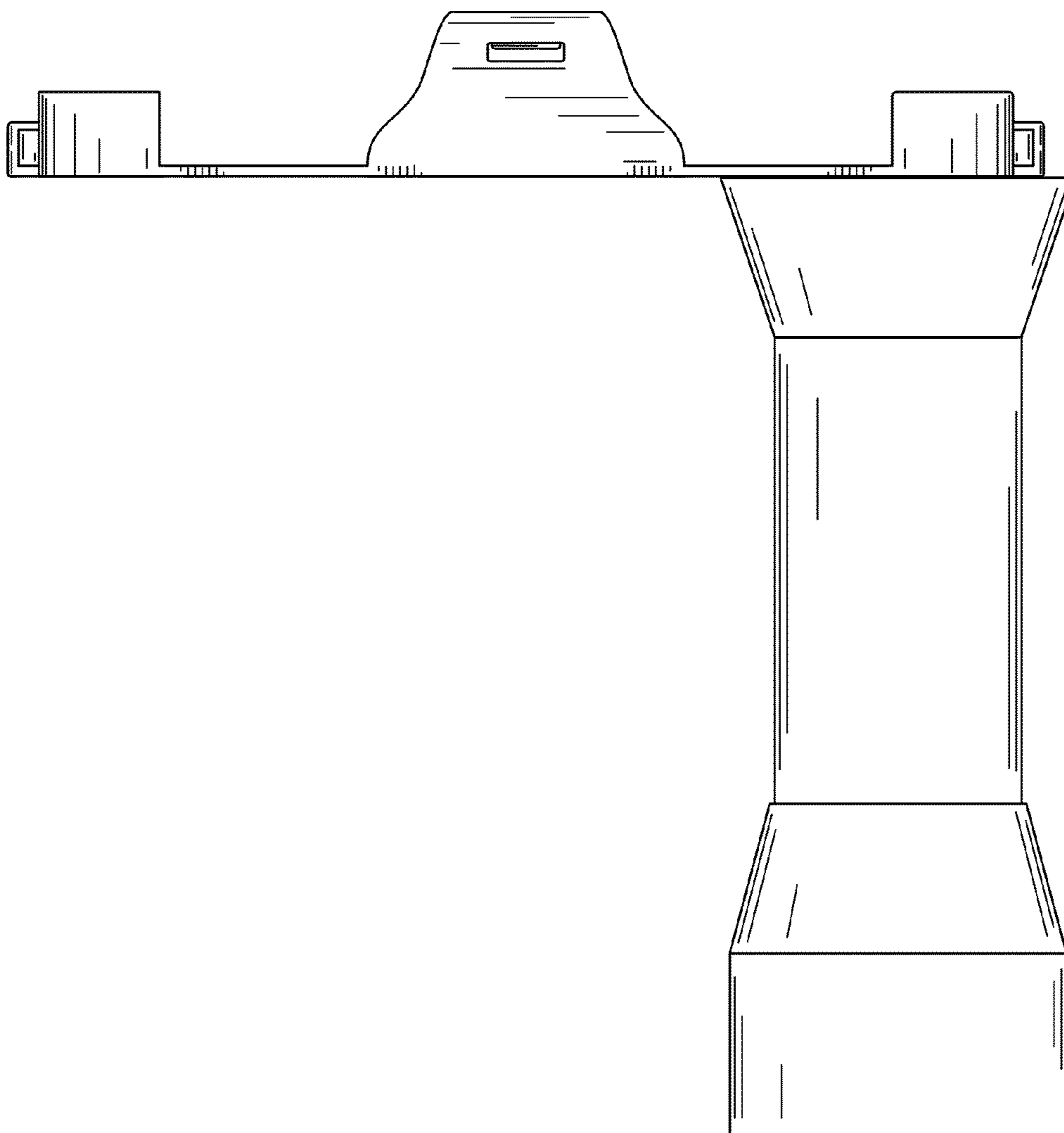


FIG. 7