



US00D737362S

(12) **United States Design Patent**  
**Chang et al.**

(10) **Patent No.:** **US D737,362 S**

(45) **Date of Patent:** **\*\* Aug. 25, 2015**

- (54) **CAMERA CALIBRATION BOARD**
- (71) Applicant: **HON HAI PRECISION INDUSTRY CO., LTD.**, New Taipei (TW)
- (72) Inventors: **Chih-Kuang Chang**, New Taipei (TW); **Xin-Yuan Wu**, Shenzhen (CN); **Yi Liu**, Shenzhen (CN)
- (73) Assignee: **HON HAI PRECISION INDUSTRY CO., LTD.**, New Taipei (TW)

- (\*\*) Term: **14 Years**
- (21) Appl. No.: **29/451,974**
- (22) Filed: **Apr. 10, 2013**

- (30) **Foreign Application Priority Data**  
Mar. 5, 2013 (CN) ..... 2013 3 0053427
- (51) **LOC (10) Cl.** ..... **16-05**
- (52) **U.S. Cl.**  
USPC ..... **D16/237**
- (58) **Field of Classification Search**  
USPC ..... D16/200, 202–204, 208, 218, 219, 237, D16/239, 242; D21/814; 348/94, 340, 348/373–376, 835; 356/625; 359/601, 612; 396/287, 419, 535, 539–541  
CPC ..... G03B 15/03; G03B 17/02; G03B 17/04; G03B 17/08; G03B 17/56; G03B 19/04; H04N 5/2251; H04N 5/2252; H04N 5/2253; H04N 5/2254  
See application file for complete search history.

- (56) **References Cited**  
**U.S. PATENT DOCUMENTS**  
D449,869 S \* 10/2001 Kjaer-Madsen et al. .... D21/814  
D594,893 S \* 6/2009 Fong ..... D16/239

- D607,915 S \* 1/2010 Fong ..... D16/237
- D676,892 S \* 2/2013 Fairburn ..... D16/242
- D676,893 S \* 2/2013 Fairburn ..... D16/242
- D676,894 S \* 2/2013 Fairburn ..... D16/242
- 2008/0122966 A1 \* 5/2008 Feng et al. .... 348/340
- 2014/0340508 A1 \* 11/2014 Yamamoto ..... 348/94
- 2015/0049345 A1 \* 2/2015 Miyagawa ..... 356/625

**OTHER PUBLICATIONS**

BlogNomic: The First Dynasty of mideg [online]. Posted Dec. 18, 2010 by Josh [retrieved on Apr. 16, 2015]. Retrieved from the Internet: <<http://blognomic.com/2010/12/>>.\*  
Journal of the Brazilian Society of Mechanical Sciences, Jul. 2002, p. 12, Rio de Janeiro, Brazil. Internet links: [http://www.scielo.br/scielo.php?script=sci\\_arttext&pid=S0100-73862002000300011&Ing=en&nrm=iso](http://www.scielo.br/scielo.php?script=sci_arttext&pid=S0100-73862002000300011&Ing=en&nrm=iso).

\* cited by examiner

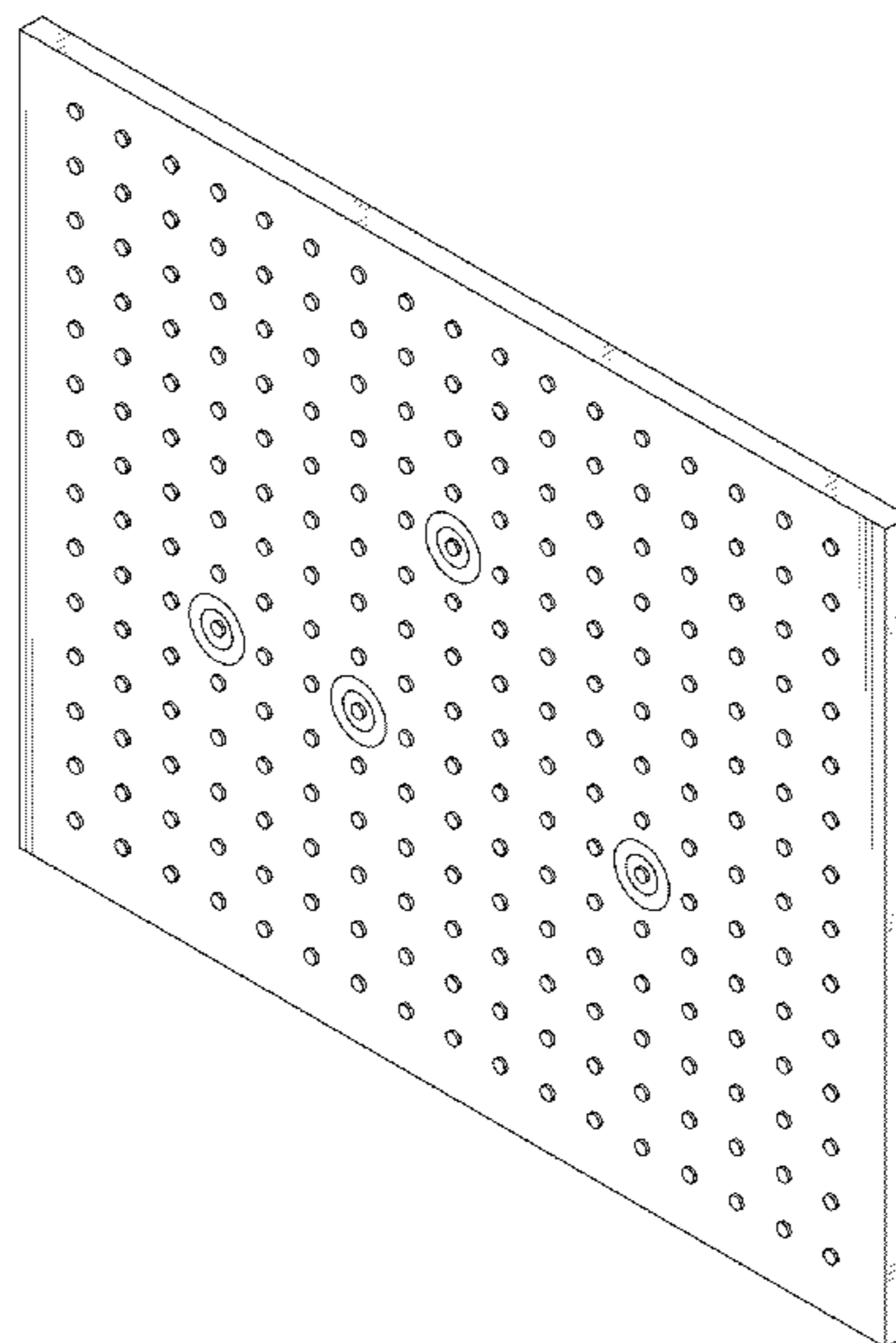
*Primary Examiner* — Susan E Krakower  
*Assistant Examiner* — Ramzi Almatrahi  
(74) *Attorney, Agent, or Firm* — Novak Druce Connolly Bove + Quigg LLP

- (57) **CLAIM**  
The ornamental design for a camera calibration board, as shown and described.

**DESCRIPTION**

FIG. 1 is a perspective view of a camera calibration board showing our new design;  
FIG. 2 is a front elevational view thereof;  
FIG. 3 is a rear elevational view thereof;  
FIG. 4 is a left side elevational view thereof;  
FIG. 5 is a right side elevational view thereof;  
FIG. 6 is a top plan view thereof; and,  
FIG. 7 is a bottom plan view thereof.

**1 Claim, 7 Drawing Sheets**



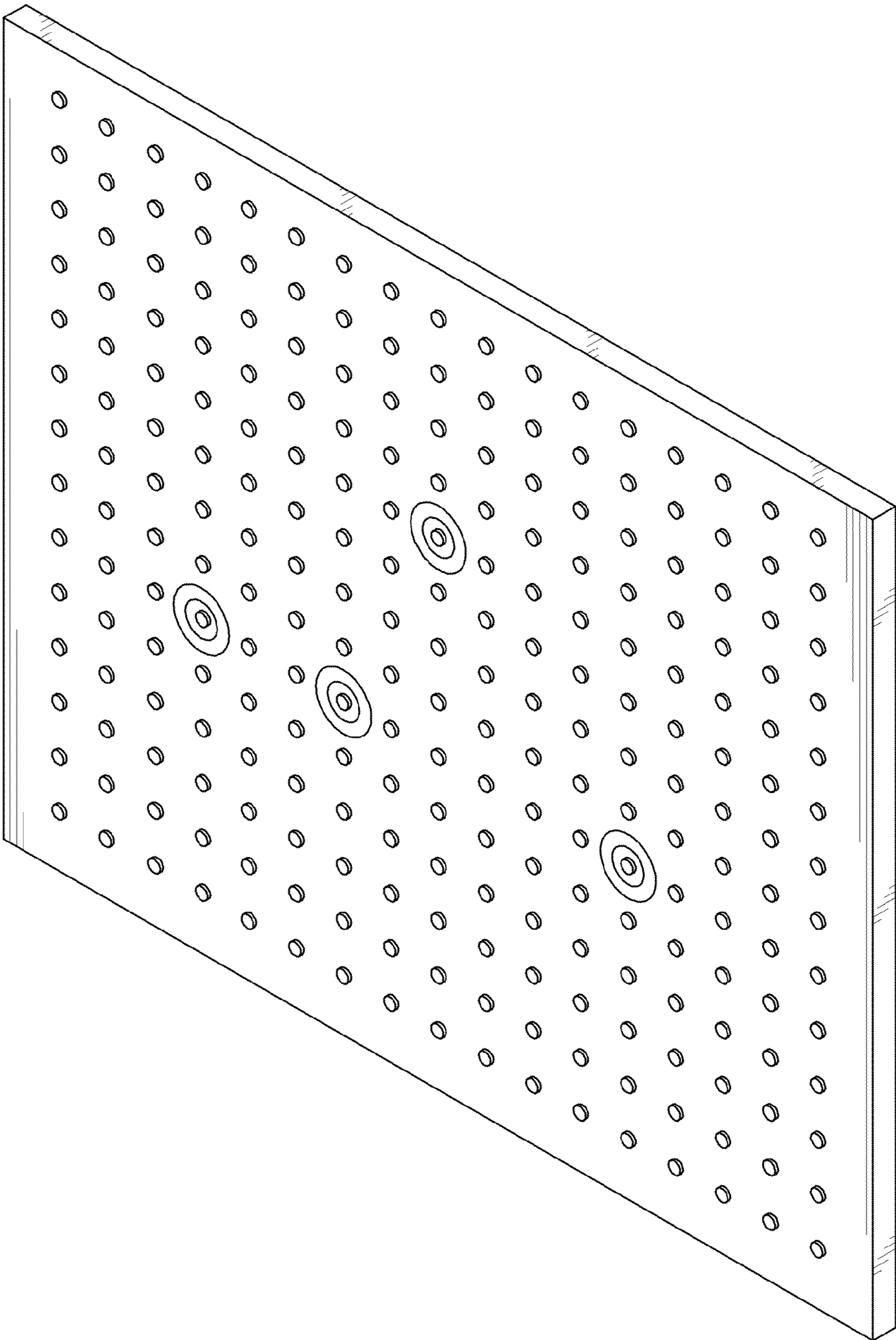


FIG. 1

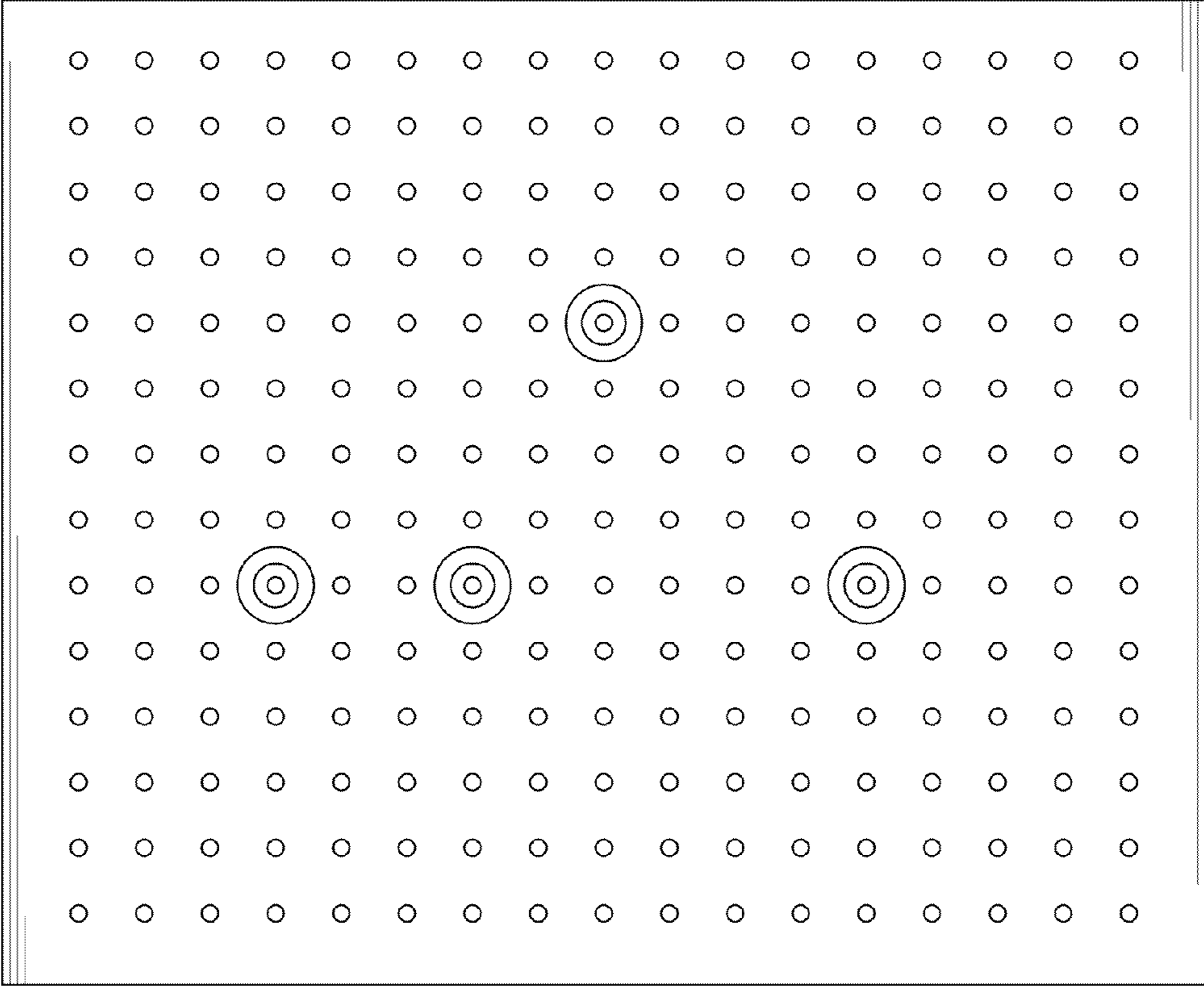


FIG. 2

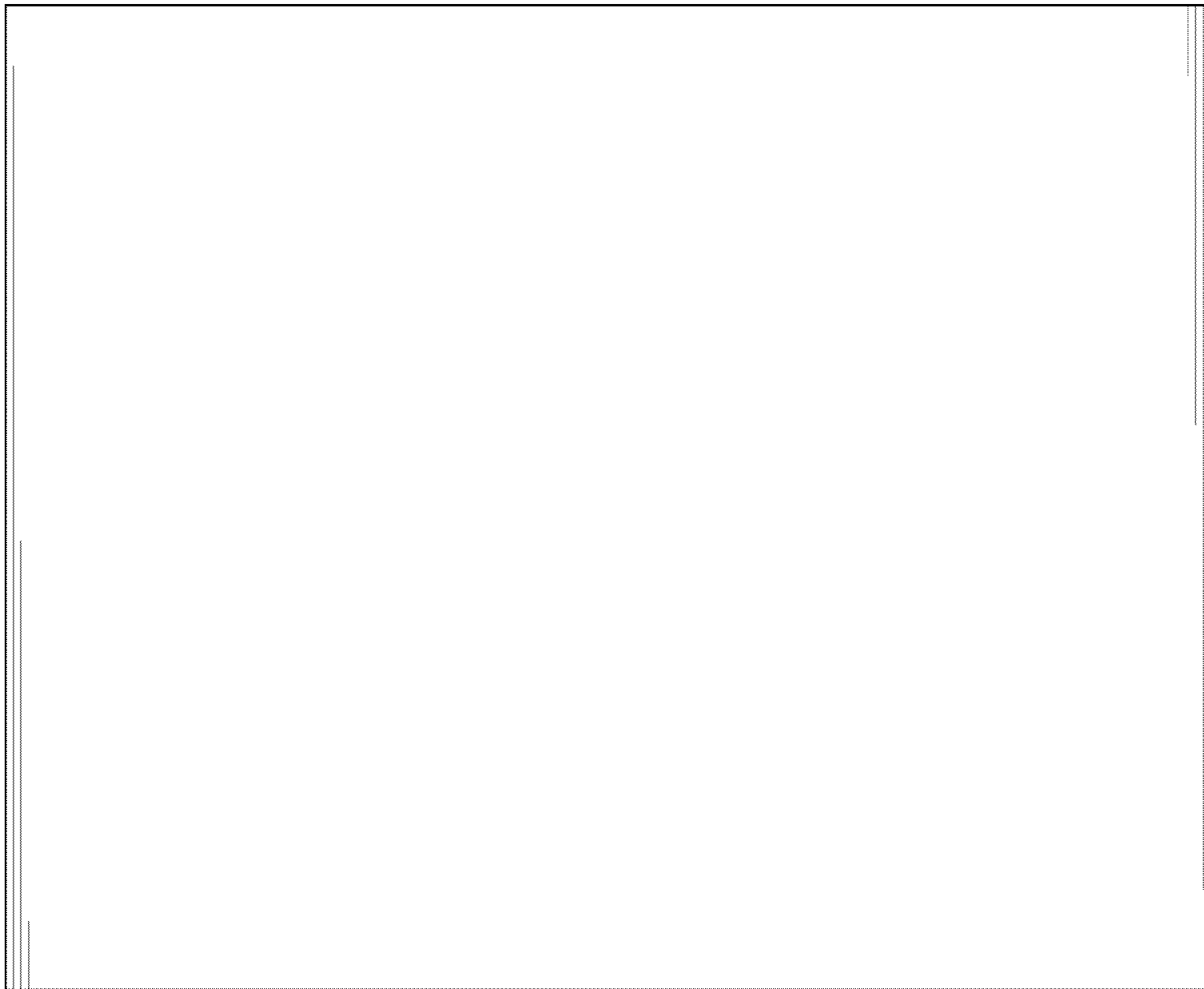


FIG. 3



FIG. 4



FIG. 5

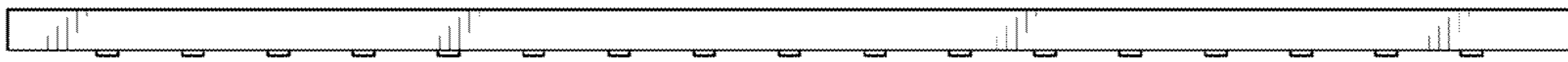


FIG. 6

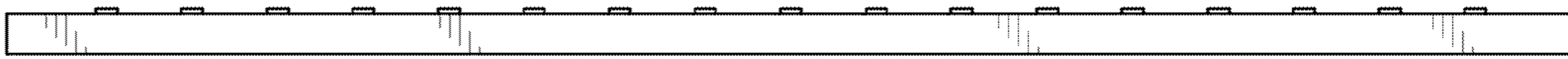


FIG. 7