



US00D737361S

(12) **United States Design Patent**
Lee et al.

(10) **Patent No.:** **US D737,361 S**
(45) **Date of Patent:** **** Aug. 25, 2015**

(54) **CAMERA**

(71) Applicant: **Samsung Electronics Co., Ltd.**,
Suwon-si, Gyeonggi-do (KR)
(72) Inventors: **Joo-Hyung Lee**, Seoul (KR); **Jörg**
Tragatschnig, Zell am See (AT);
Eui-Hoon Kim, Uiwang-si (KR);
Byung-Wook Chin, Seoul (KR)

(73) Assignee: **Samsung Electronics Co., Ltd.**,
Suwon-Si (KR)

(**) Term: **14 Years**

(21) Appl. No.: **29/490,549**

(22) Filed: **May 12, 2014**

(30) **Foreign Application Priority Data**

Nov. 22, 2013 (KR) 30-2013-0058944

(51) **LOC (10) Cl.** **16-05**

(52) **U.S. Cl.**
USPC **D16/219; D16/202**

(58) **Field of Classification Search**
USPC **D16/200, 202, 204, 206, 208, 218, 219;**
348/373-376; 358/909.1; 396/535-541

See application file for complete search history.

(56) **References Cited**

U.S. PATENT DOCUMENTS

6,434,337	B1 *	8/2002	Misawa	358/909.1
7,106,963	B2 *	9/2006	Shibata	396/535
D552,646	S *	10/2007	Bai	D16/202
D555,689	S *	11/2007	Yoo et al.	D16/218
D556,229	S *	11/2007	Bai	D16/202
D561,799	S *	2/2008	Bai	D16/218
D574,030	S *	7/2008	Nakajima	D16/219
D701,892	S *	4/2014	Jang et al.	D16/202
D713,869	S *	9/2014	Kim	D16/202

* cited by examiner

Primary Examiner — Adir Aronovich

(74) *Attorney, Agent, or Firm* — Ladas & Parry LLP

(57) **CLAIM**

The ornamental design for a camera, as shown and described.

DESCRIPTION

FIG. 1 is a top, front and left side perspective view of a camera showing our new design;

FIG. 2 is a front elevational view thereof;

FIG. 3 is a rear elevational view thereof;

FIG. 4 is a left side elevational view thereof;

FIG. 5 is a right side elevational view thereof;

FIG. 6 is a top plan view thereof; and,

FIG. 7 is a bottom plan view thereof.

The broken lines throughout the drawings depict the portions of a camera in which the design is embodied and form no part of the claimed design.

1 Claim, 4 Drawing Sheets

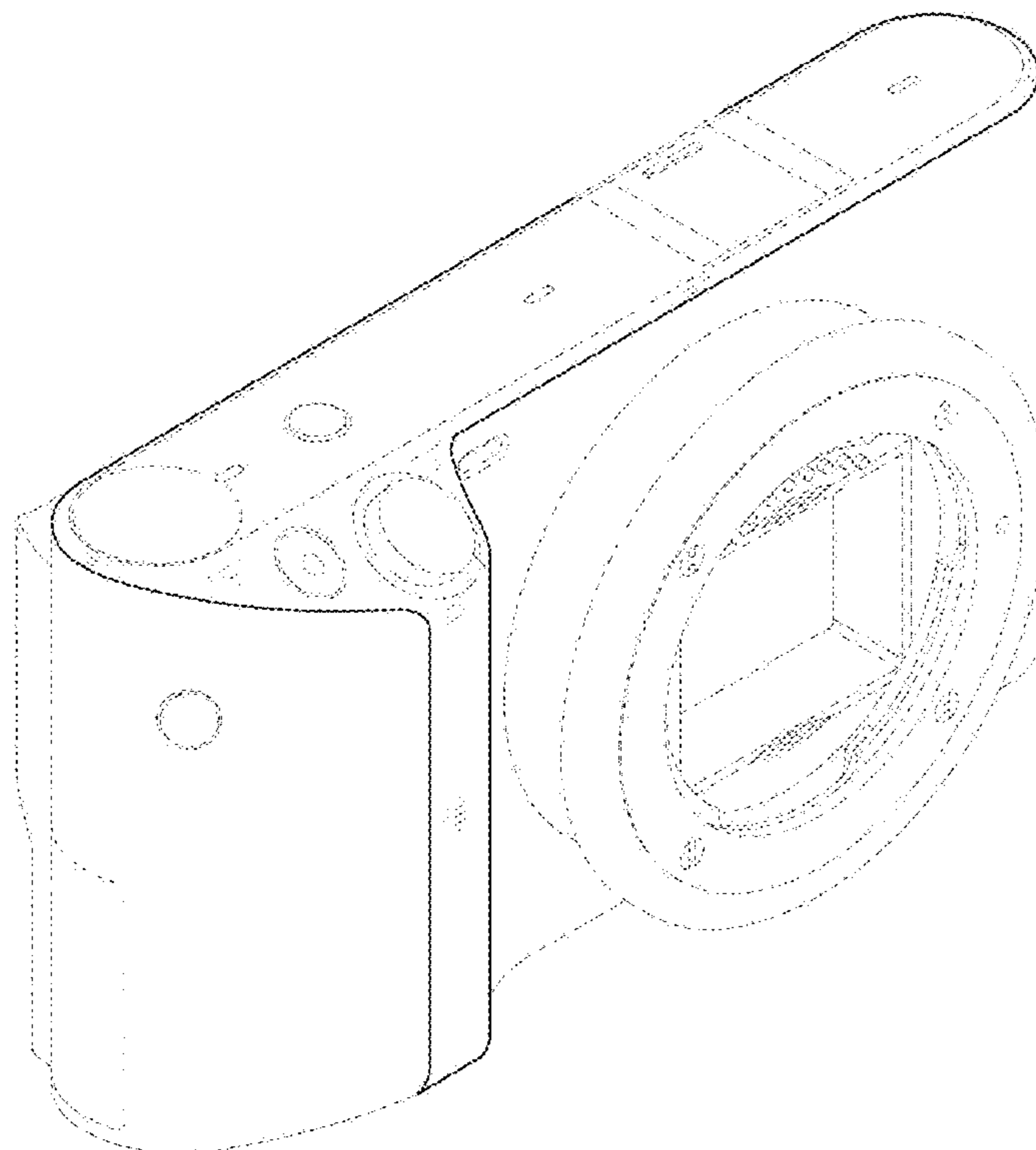


FIG. 1

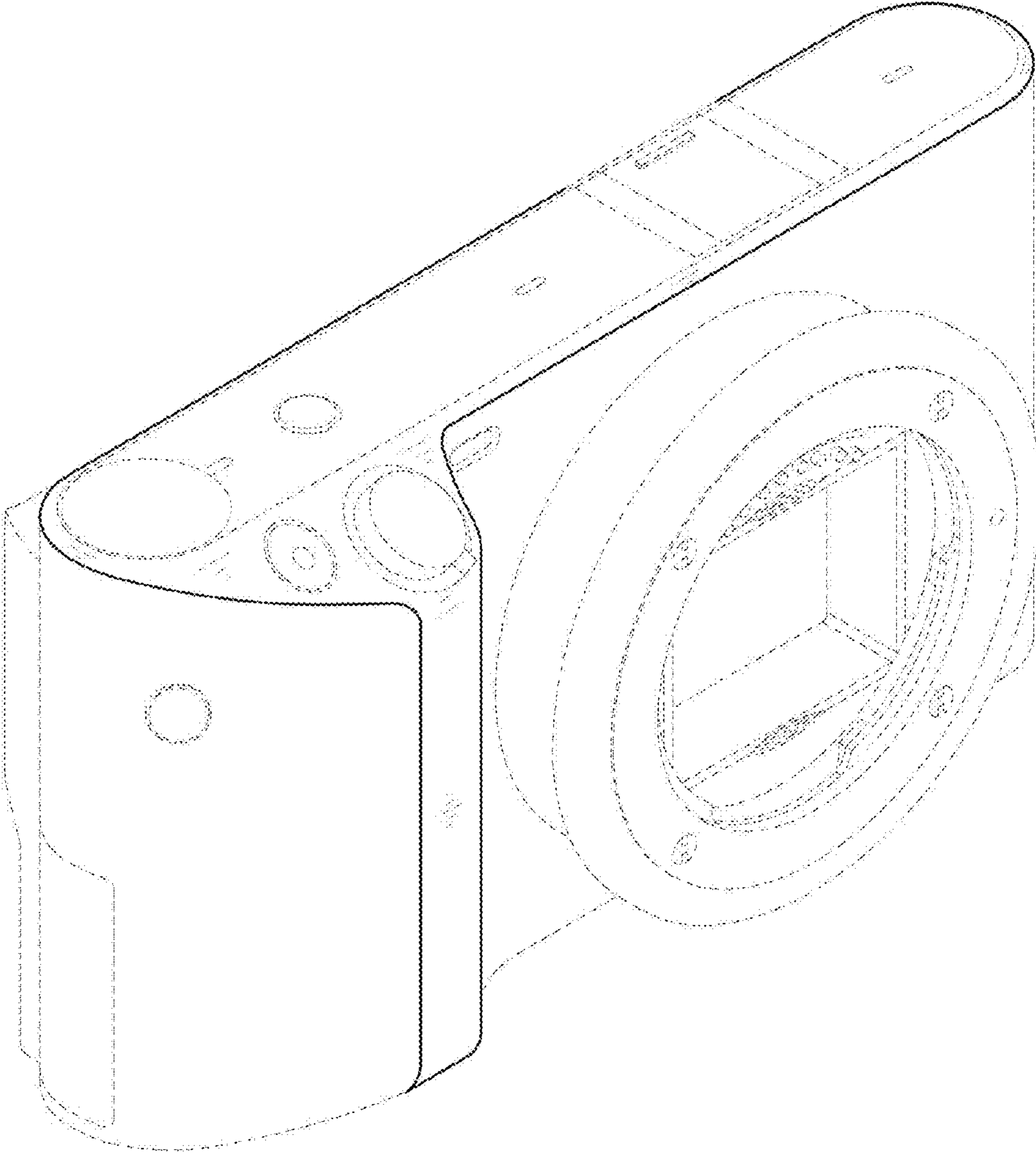


FIG. 2

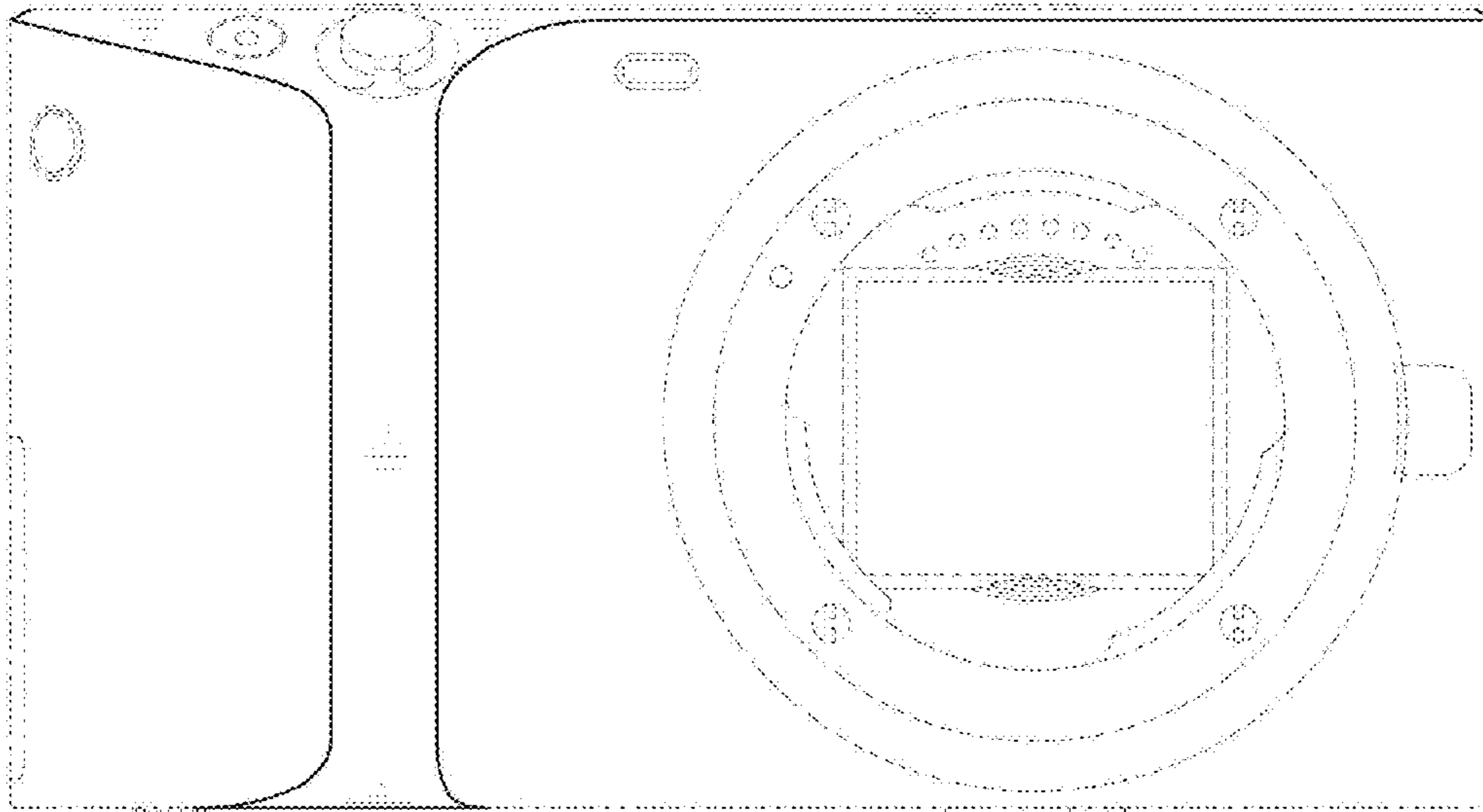


FIG. 3

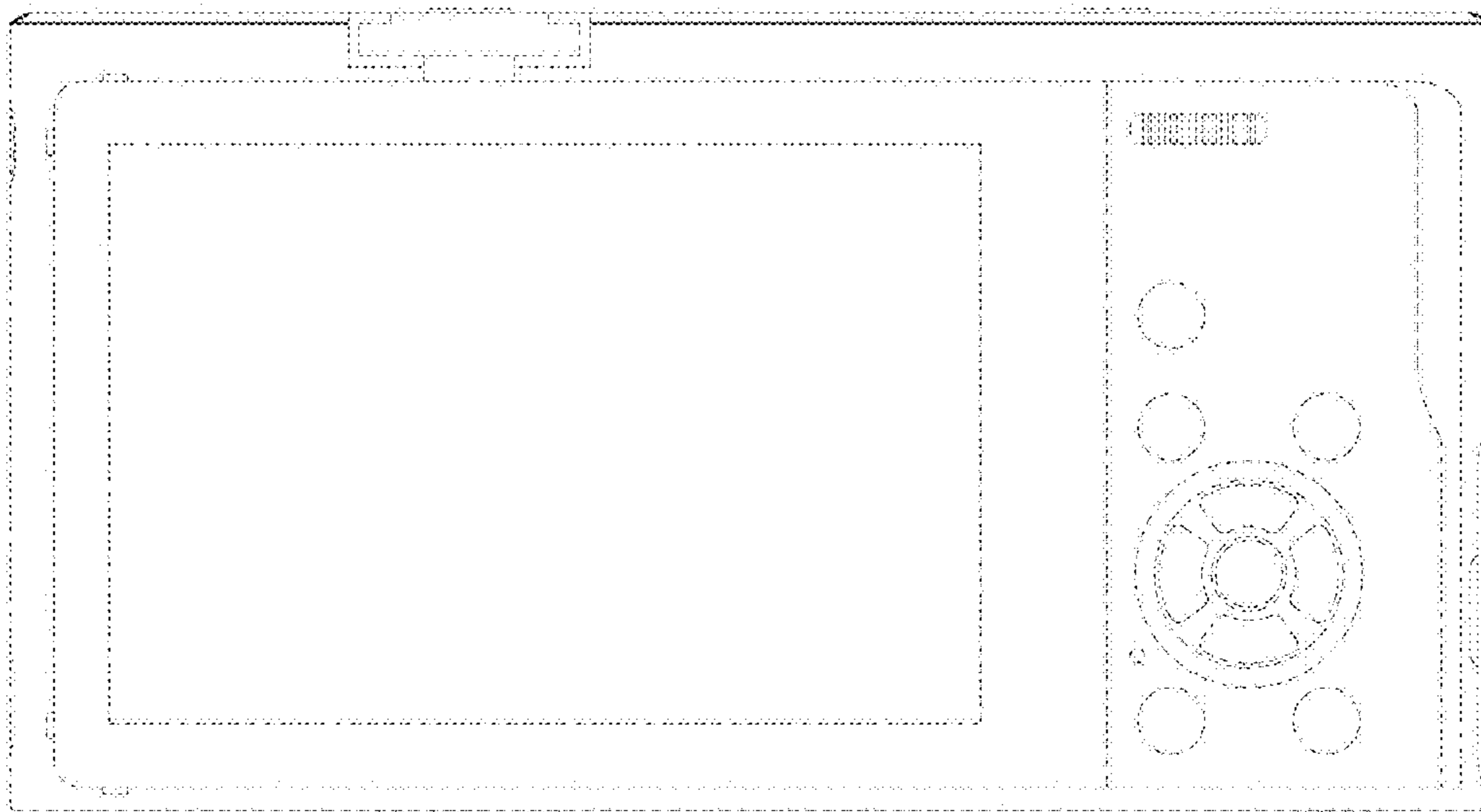


FIG. 4

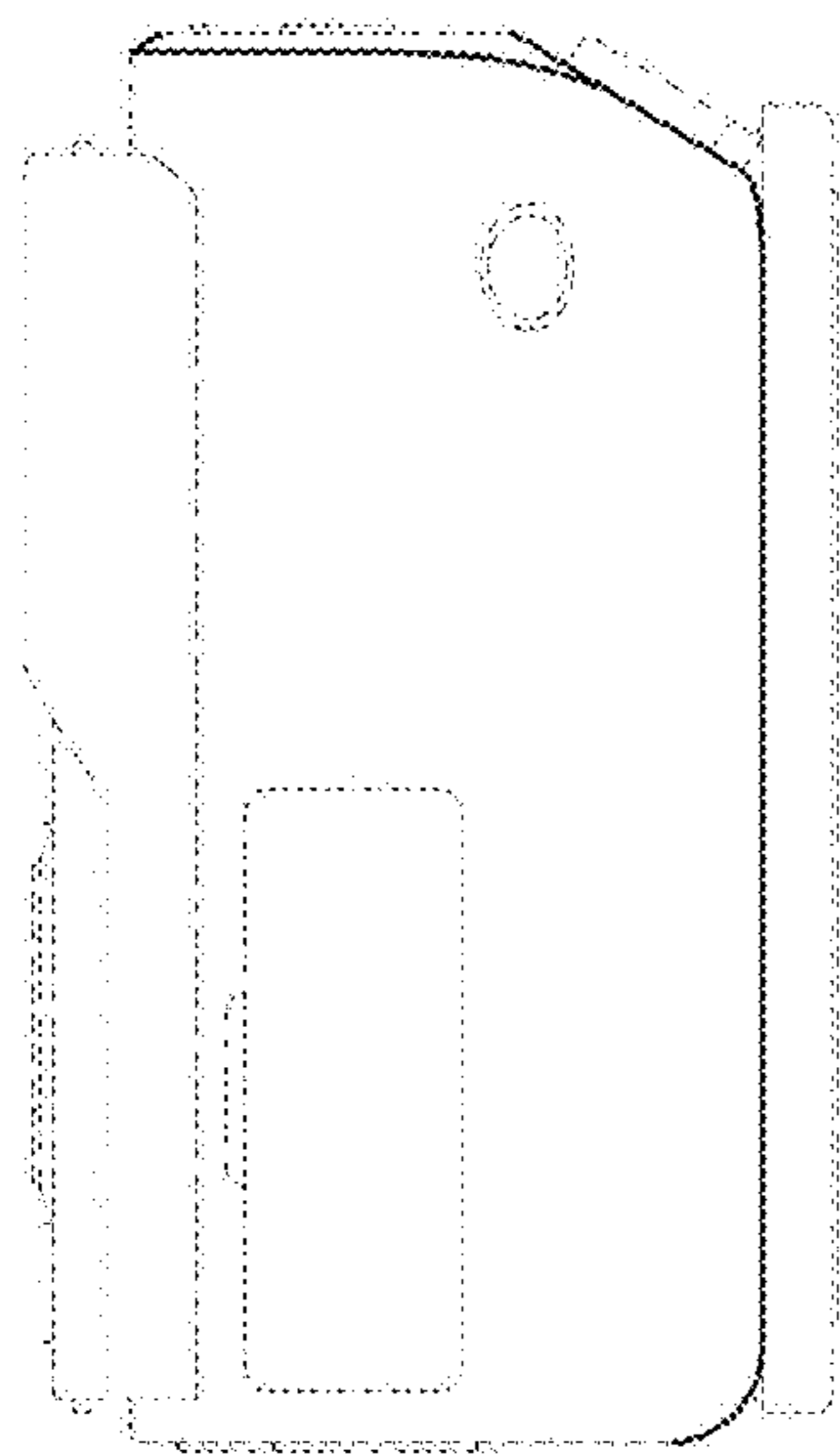


FIG. 5

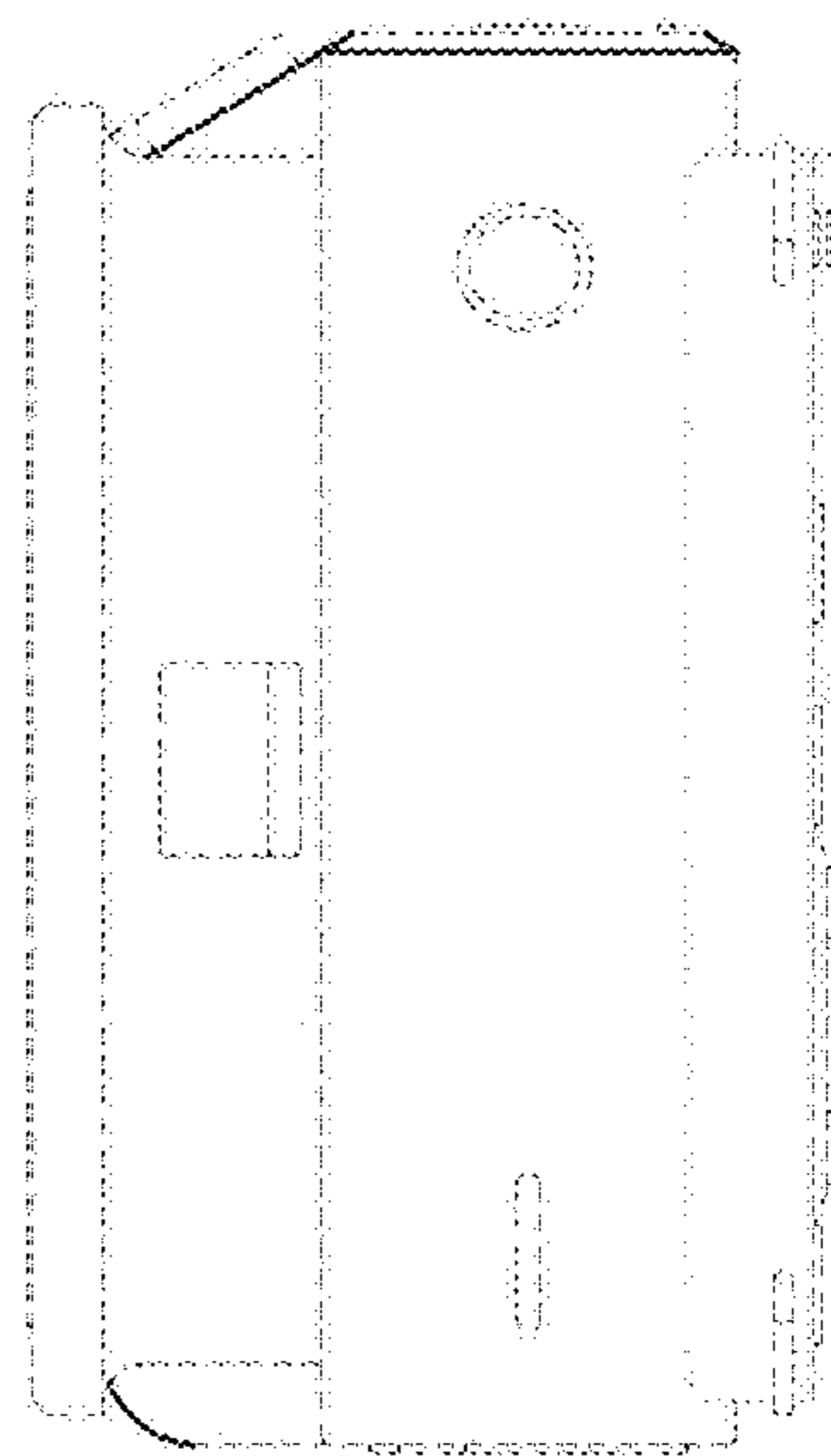


FIG. 6

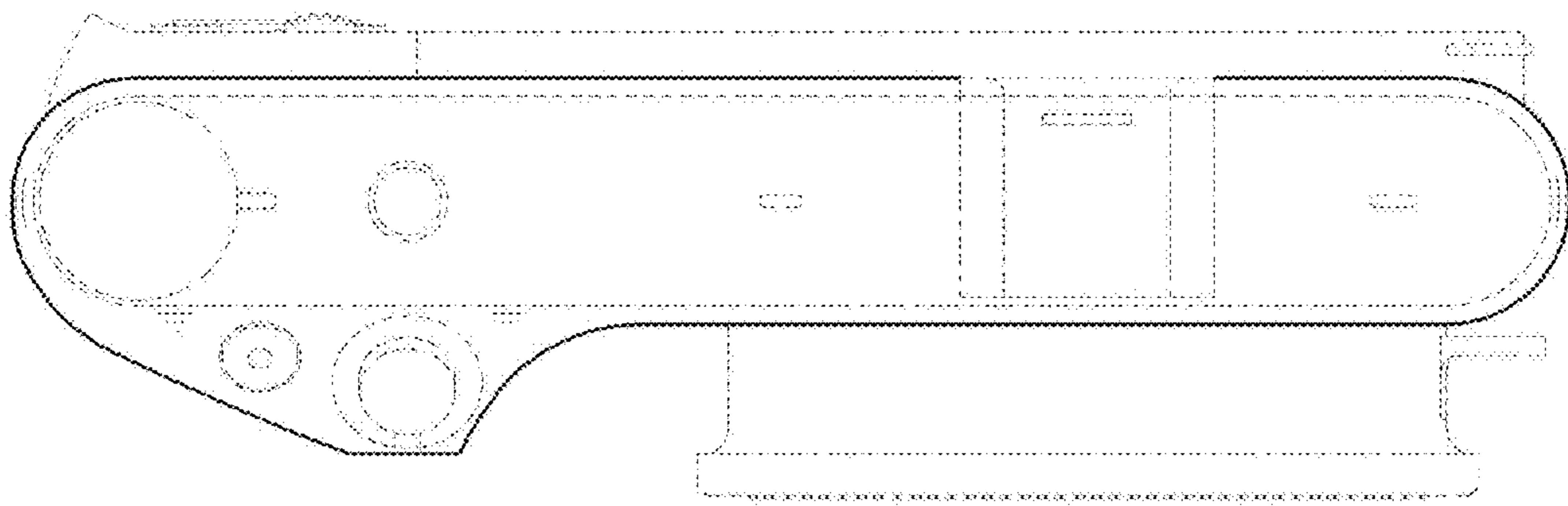


FIG. 7

