



US00D737360S

(12) **United States Design Patent**
Jung et al.

(10) **Patent No.:** **US D737,360 S**

(45) **Date of Patent:** **** Aug. 25, 2015**

(54) **INTERCHANGEABLE LENS FOR CAMERA**

(56) **References Cited**

(71) Applicant: **Samyang Optics Co., Ltd.**, Masan,
Gyeongsangnam-do (KR)

U.S. PATENT DOCUMENTS

(72) Inventors: **Woo-Hyun Jung**, Changwon-si (KR);
Soo-Won Yoon, Changwon-si (KR);
Eun-Jin Kim, Changwon-si (KR);
Jung-Du Lee, Changwon-si (KR)

D446,232	S	*	8/2001	Watanabe	D16/134
D552,147	S	*	10/2007	Tajima et al.	D16/219
D562,863	S	*	2/2008	Yasutomi	D16/134
7,625,144	B2	*	12/2009	Kranz et al.	396/529
D670,751	S	*	11/2012	Koyama et al.	D16/219
D684,208	S	*	6/2013	Lee	D16/219
D684,620	S	*	6/2013	Kim	D16/219
D693,870	S	*	11/2013	Kim	D16/219
D696,709	S	*	12/2013	Sato	D16/219
D697,543	S	*	1/2014	Kim	D16/219
D704,759	S	*	5/2014	Park et al.	D16/219
D704,760	S	*	5/2014	Jung et al.	D16/219
D718,361	S	*	11/2014	Noh	D16/219

(73) Assignee: **SAMYANG OPTICS CO., LTD.**,
Masan, Gyeongsangnam-Do (KR)

(**) Term: **14 Years**

* cited by examiner

(21) Appl. No.: **29/476,719**

Primary Examiner — Adir Aronovich

(22) Filed: **Dec. 16, 2013**

Assistant Examiner — Ramzi Almatrahi

(30) **Foreign Application Priority Data**

Aug. 22, 2013 (KR) 30-2013-0043221

(74) *Attorney, Agent, or Firm* — Lowe Hauptman & Ham,
LLP

(51) **LOC (10) Cl.** **16-05**

(57) **CLAIM**

The ornamental design for an interchangeable lens for camera, as shown and described.

(52) **U.S. Cl.**
USPC **D16/219**

DESCRIPTION

(58) **Field of Classification Search**
USPC D16/134, 136, 200, 202–205, 218, 219,
D16/235, 242; 348/373–376; 359/826–828;
396/529–532, 535, 539–541
CPC G03B 17/02; G03B 19/04; G03B 17/56;
G03B 17/04; G03B 15/03; G03B 17/14;
H04N 5/2251; H04N 5/2252; H04N 5/2253;
H04N 5/2254; G02B 7/02; G02B 7/04;
G02B 7/14

FIG. 1 is a front and right side perspective view of an interchangeable lens for camera showing our new design;
FIG. 2 is a front elevational view thereof;
FIG. 3 is a rear elevational view thereof;
FIG. 4 is a left side elevational view thereof;
FIG. 5 is a right side elevational view thereof;
FIG. 6 is a top plan view thereof; and,
FIG. 7 is a bottom plan view thereof.

See application file for complete search history.

1 Claim, 7 Drawing Sheets

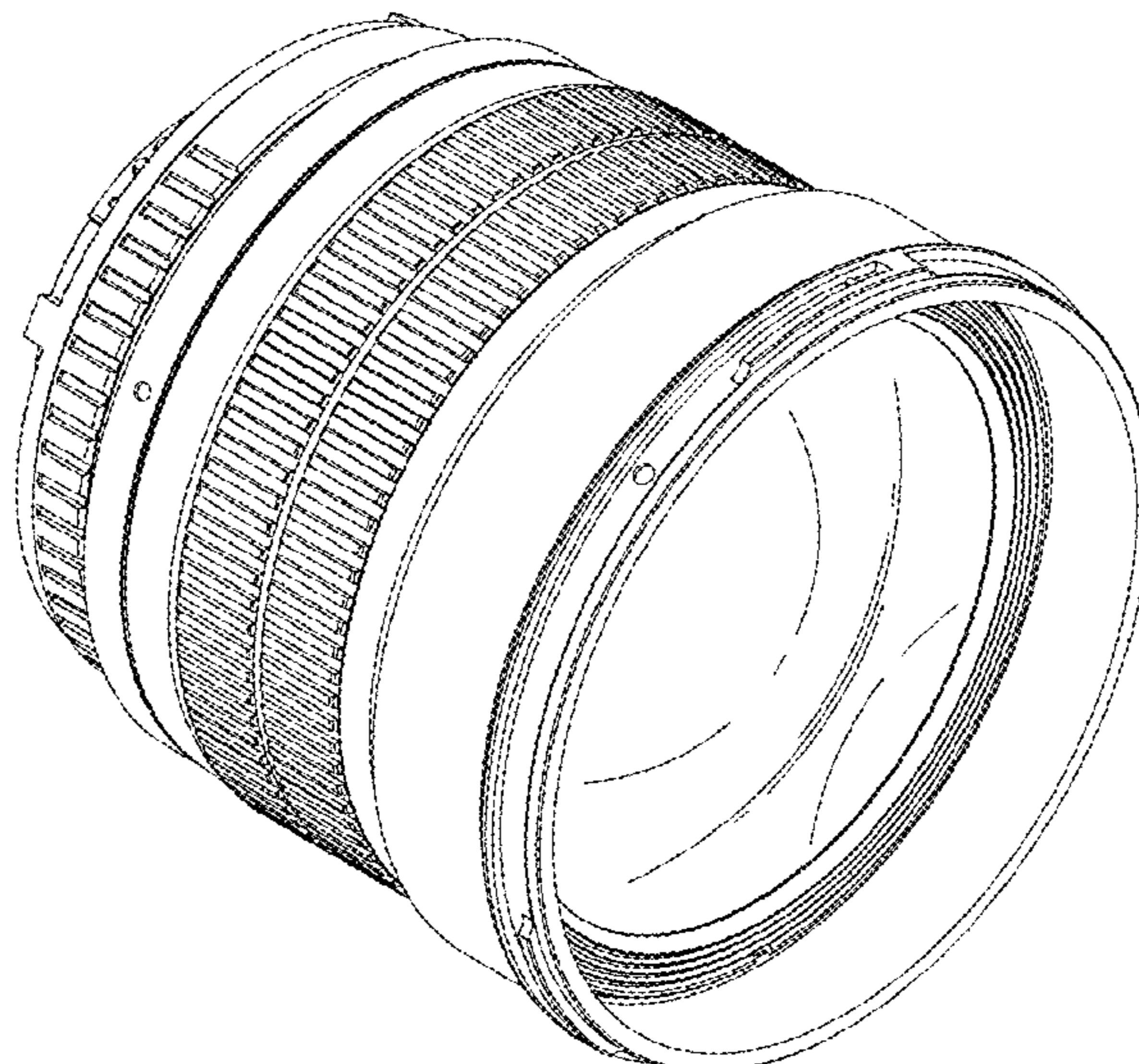


FIG. 1

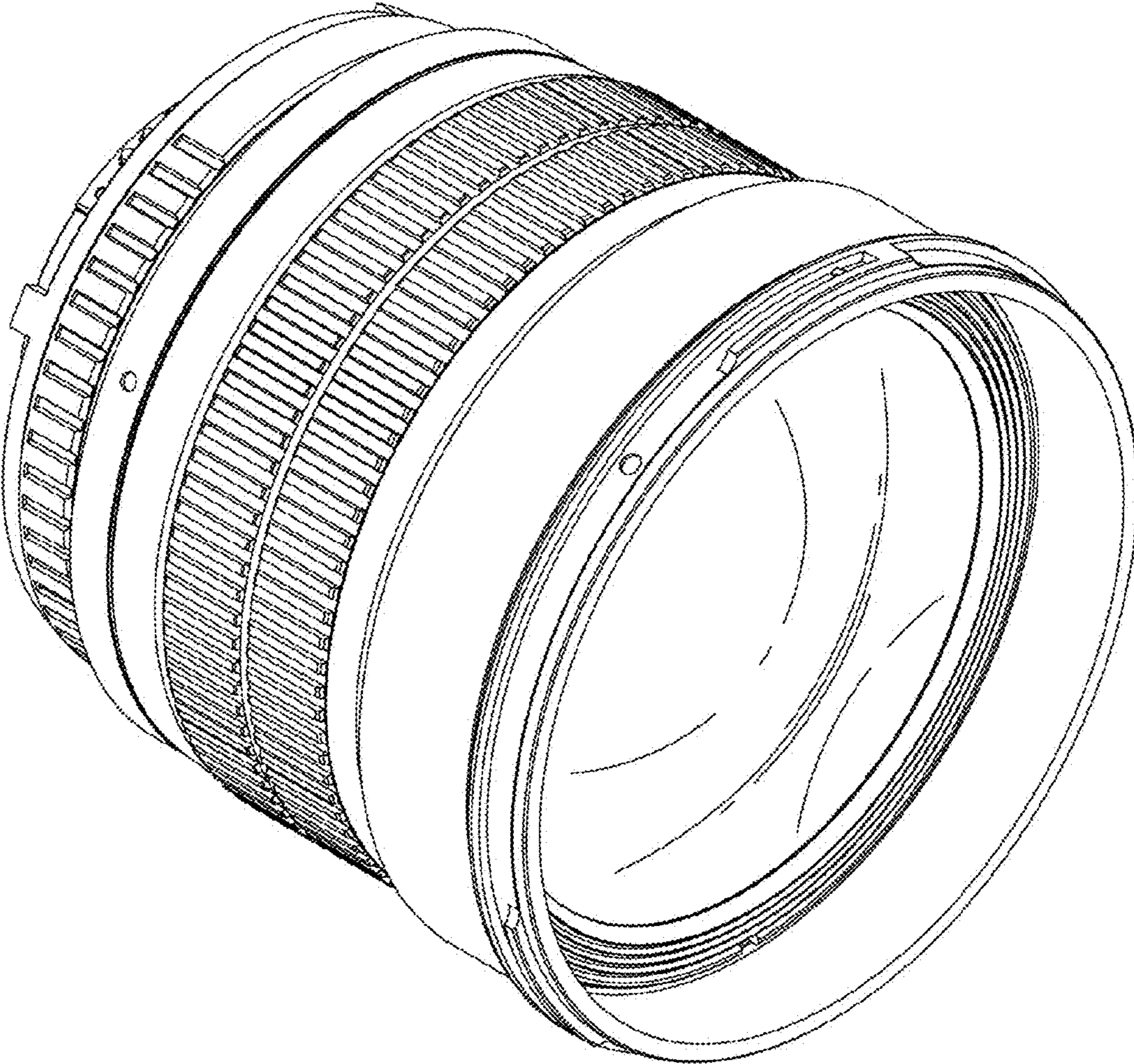


FIG. 2

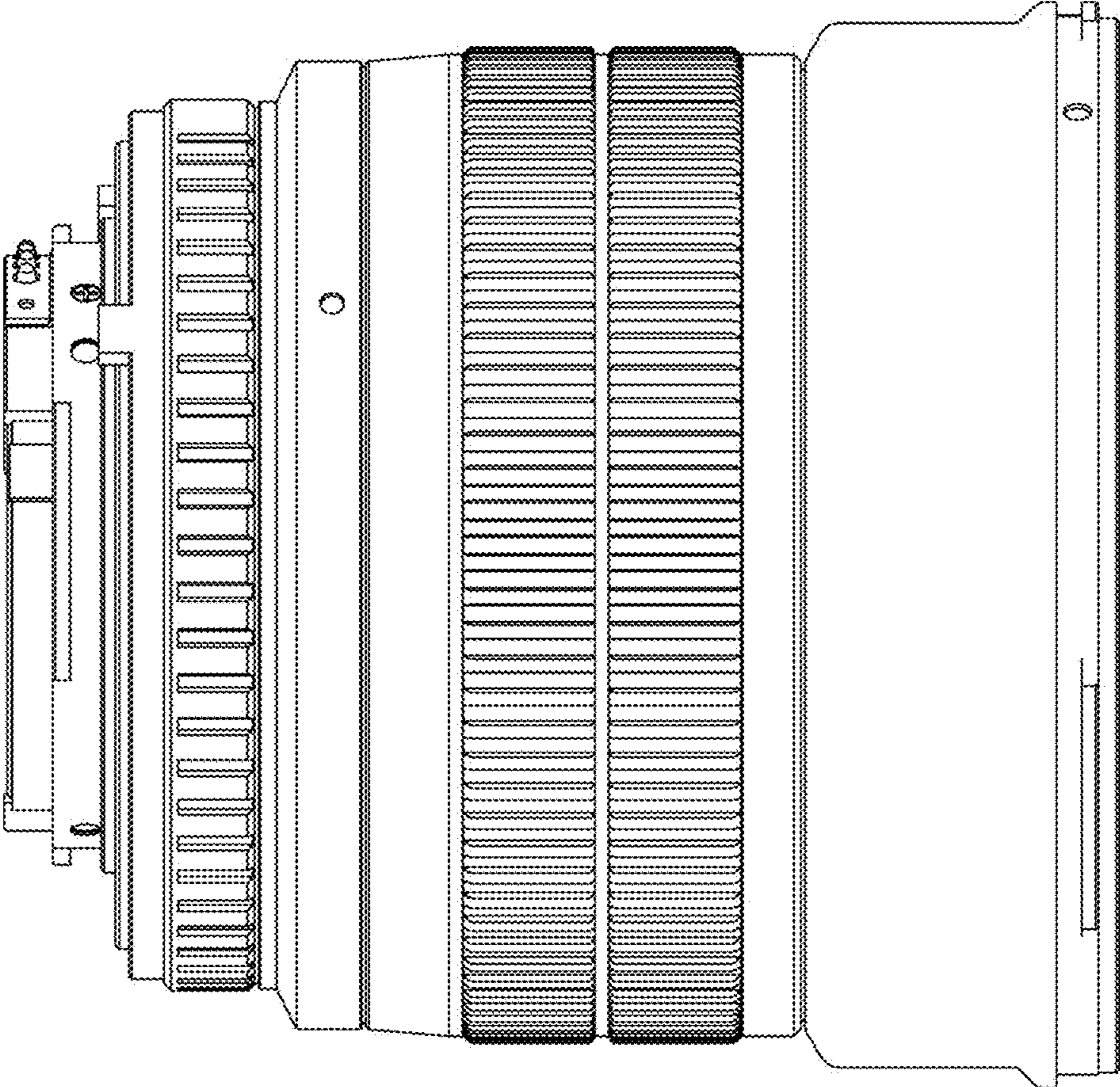


FIG. 3

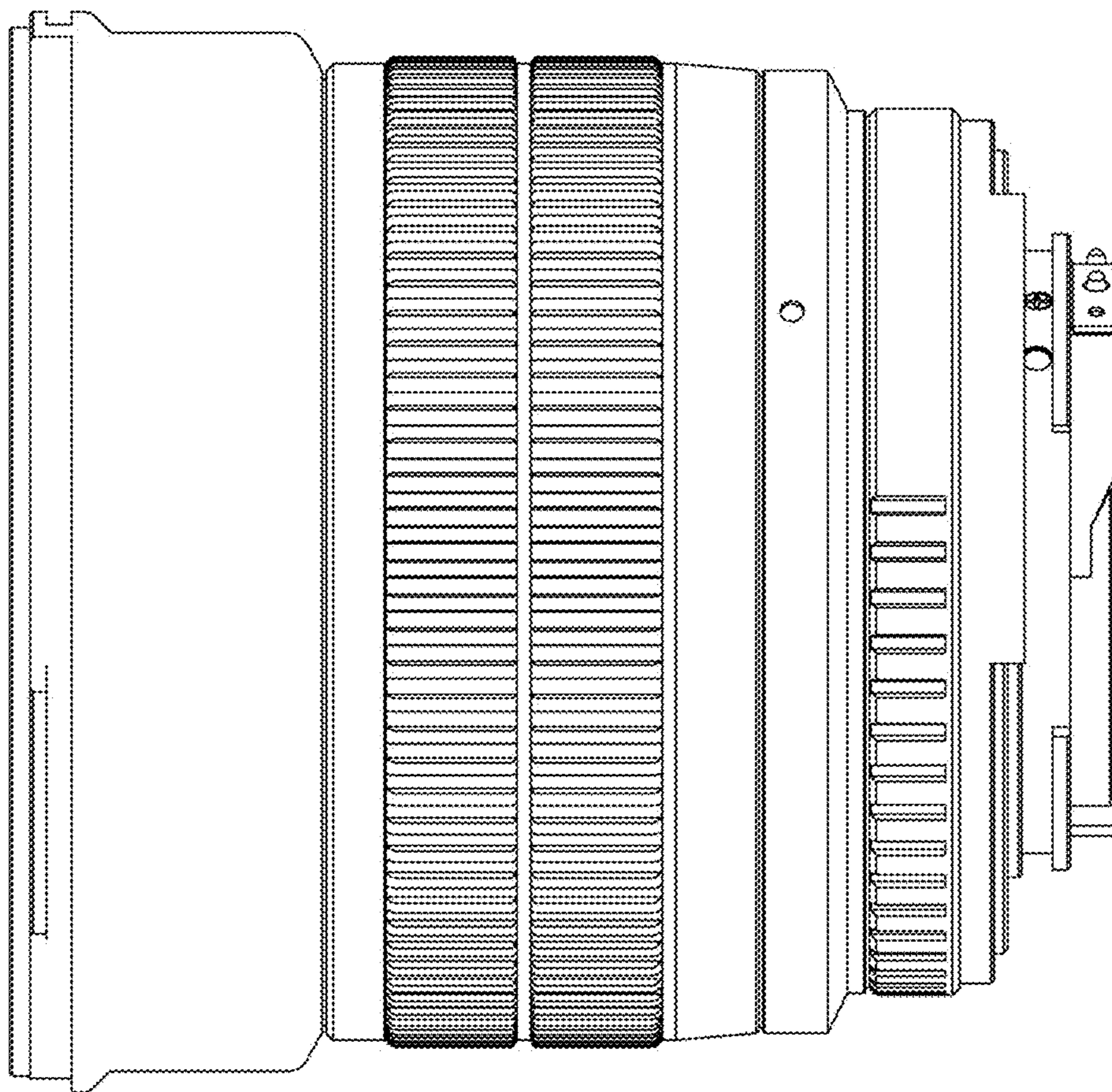


FIG. 4

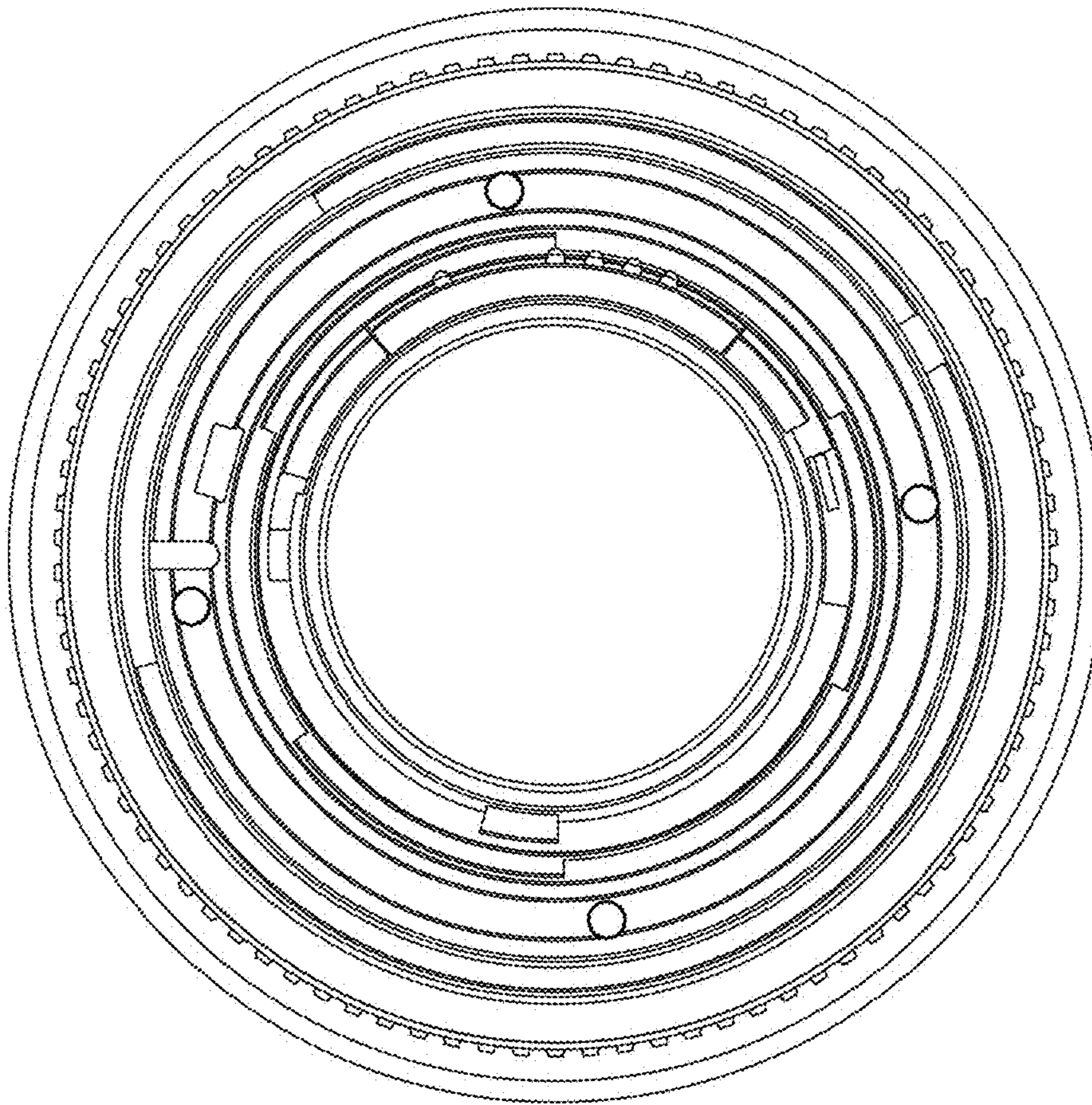


FIG. 5

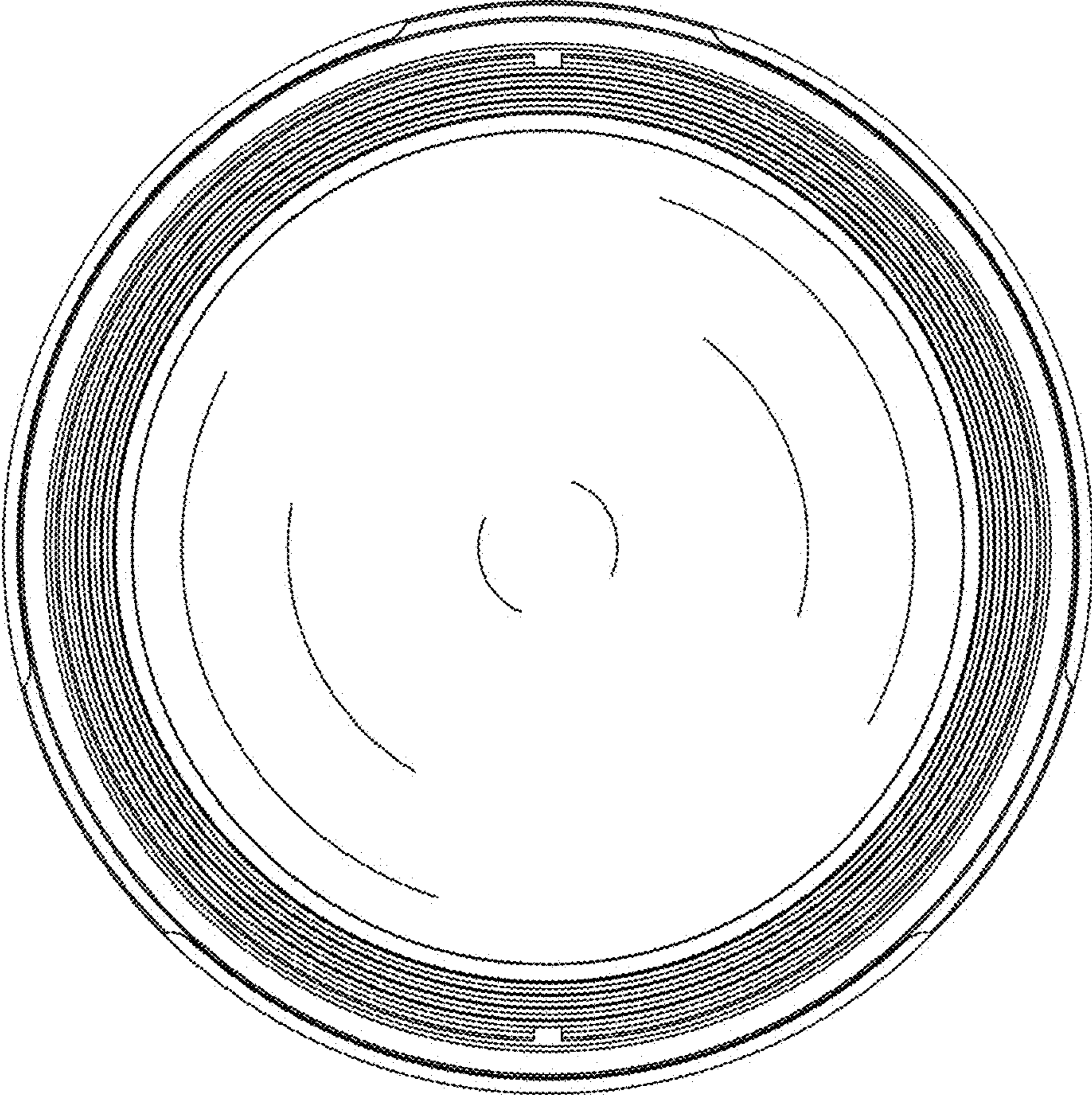


FIG. 6

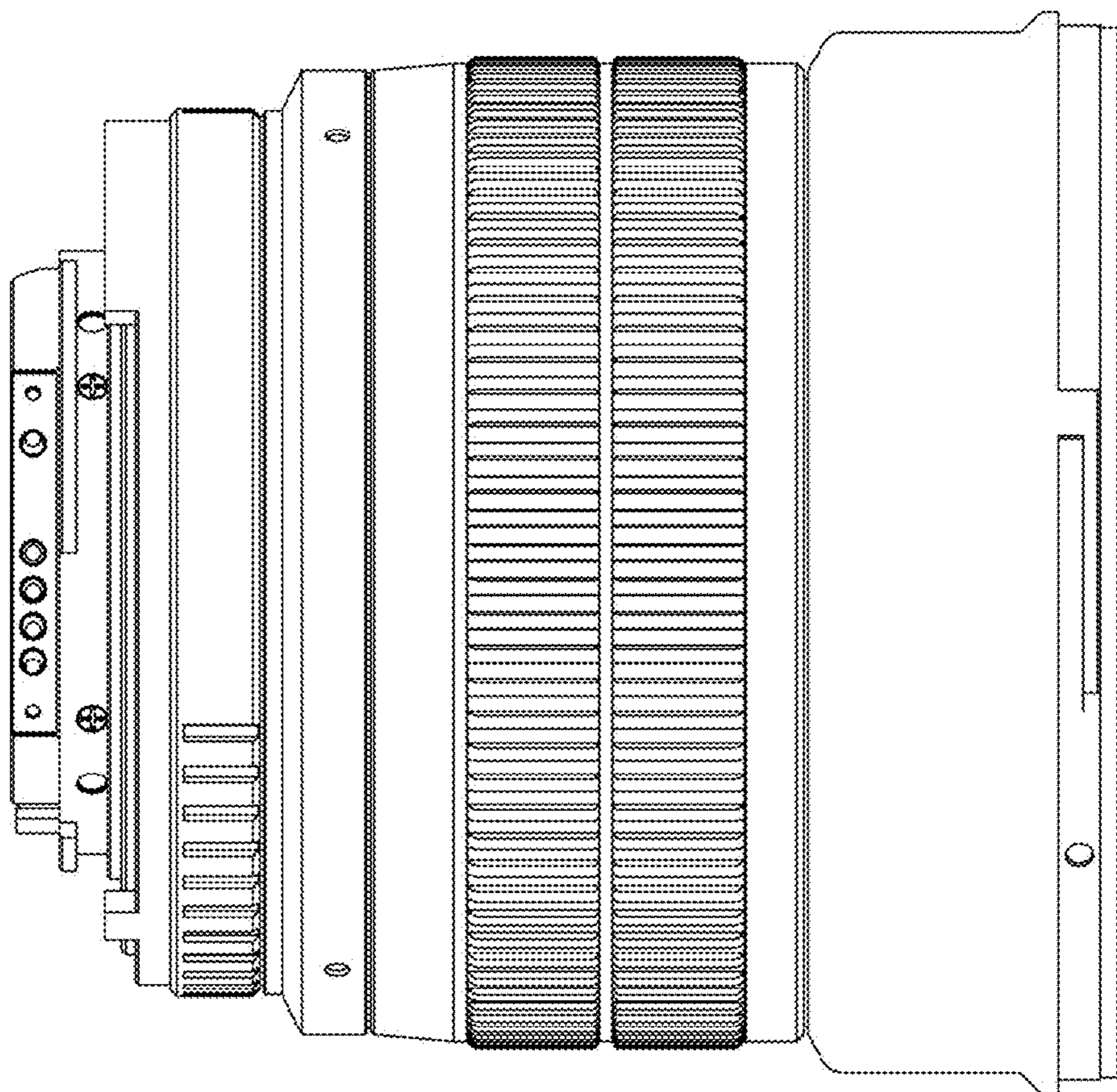


FIG. 7

