



US00D737357S

(12) **United States Design Patent**  
**Park et al.**

(10) **Patent No.:** **US D737,357 S**

(45) **Date of Patent:** **\*\* Aug. 25, 2015**

(54) **INTERCHANGEABLE LENS FOR CAMERA  
COMBINED WITH HOOD**

(71) Applicant: **Samyang Optics Co., Ltd.**, Masan,  
Gyeongsangnam-do (KR)

(72) Inventors: **Jong-Young Park**, Changwon-si (KR);  
**Byoung-Uck Choo**, Yangsan-si (KR);  
**Dal-Gyu Kim**, Changwon-si (KR);  
**Han-Jea Lee**, Changwon-si (KR)

(73) Assignee: **Samyang Optics Co., Ltd.**, Masan,  
Gyeongsangnam-do (KR)

(\*\*) Term: **14 Years**

(21) Appl. No.: **29/476,701**

(22) Filed: **Dec. 16, 2013**

(30) **Foreign Application Priority Data**

Aug. 22, 2013 (KR) ..... 30-2013-0043218

(51) **LOC (10) Cl.** ..... **16-05**

(52) **U.S. Cl.**  
USPC ..... **D16/219**

(58) **Field of Classification Search**

USPC ..... D16/134, 136, 200, 202–205, 218, 219,  
D16/235, 242; 348/373–376; 359/826–828;  
396/529–532, 535, 534, 539–541  
CPC ..... G03B 17/02; G03B 19/04; G03B 17/56;  
G03B 17/04; G03B 15/03; G03B 17/14;  
H04N 5/2251; H04N 5/2252; H04N 5/2253;  
H04N 5/2254; G02B 7/02; G02B 7/04;  
G02B 7/14

See application file for complete search history.

(56) **References Cited**

U.S. PATENT DOCUMENTS

D338,479	S	*	8/1993	Takahashi	.....	D16/134
D416,926	S	*	11/1999	Watanabe	.....	D16/134
D417,681	S	*	12/1999	Hayashi	.....	D16/134
6,104,887	A	*	8/2000	Hamasaki et al.	.....	396/534
D433,044	S	*	10/2000	Nagaoka et al.	.....	D16/134
D446,232	S	*	8/2001	Watanabe	.....	D16/134
D573,625	S	*	7/2008	Watanabe	.....	D16/219
D583,847	S	*	12/2008	Watanabe	.....	D16/219
8,280,241	B1	*	10/2012	Chang	.....	396/534
D702,749	S	*	4/2014	Kim	.....	D16/219
D702,750	S	*	4/2014	Yoon	.....	D16/219
D702,751	S	*	4/2014	Yoon	.....	D16/219
2013/0051784	A1	*	2/2013	Chang	.....	396/448

\* cited by examiner

*Primary Examiner* — Adir Aronovich

*Assistant Examiner* — Ramzi Almatrahi

(74) *Attorney, Agent, or Firm* — Lowe Hauptman & Ham,  
LLP

(57) **CLAIM**

The ornamental design for an interchangeable lens for camera combined with hood, as shown and described.

**DESCRIPTION**

FIG. 1 is a front and right side perspective view of an interchangeable lens for camera combined with hood showing our new design;

FIG. 2 is a front elevational view thereof;

FIG. 3 is a rear elevational view thereof;

FIG. 4 is a left side elevational view thereof;

FIG. 5 is a right side elevational view thereof;

FIG. 6 is a top plan view thereof; and,

FIG. 7 is a bottom plan view thereof.

**1 Claim, 7 Drawing Sheets**

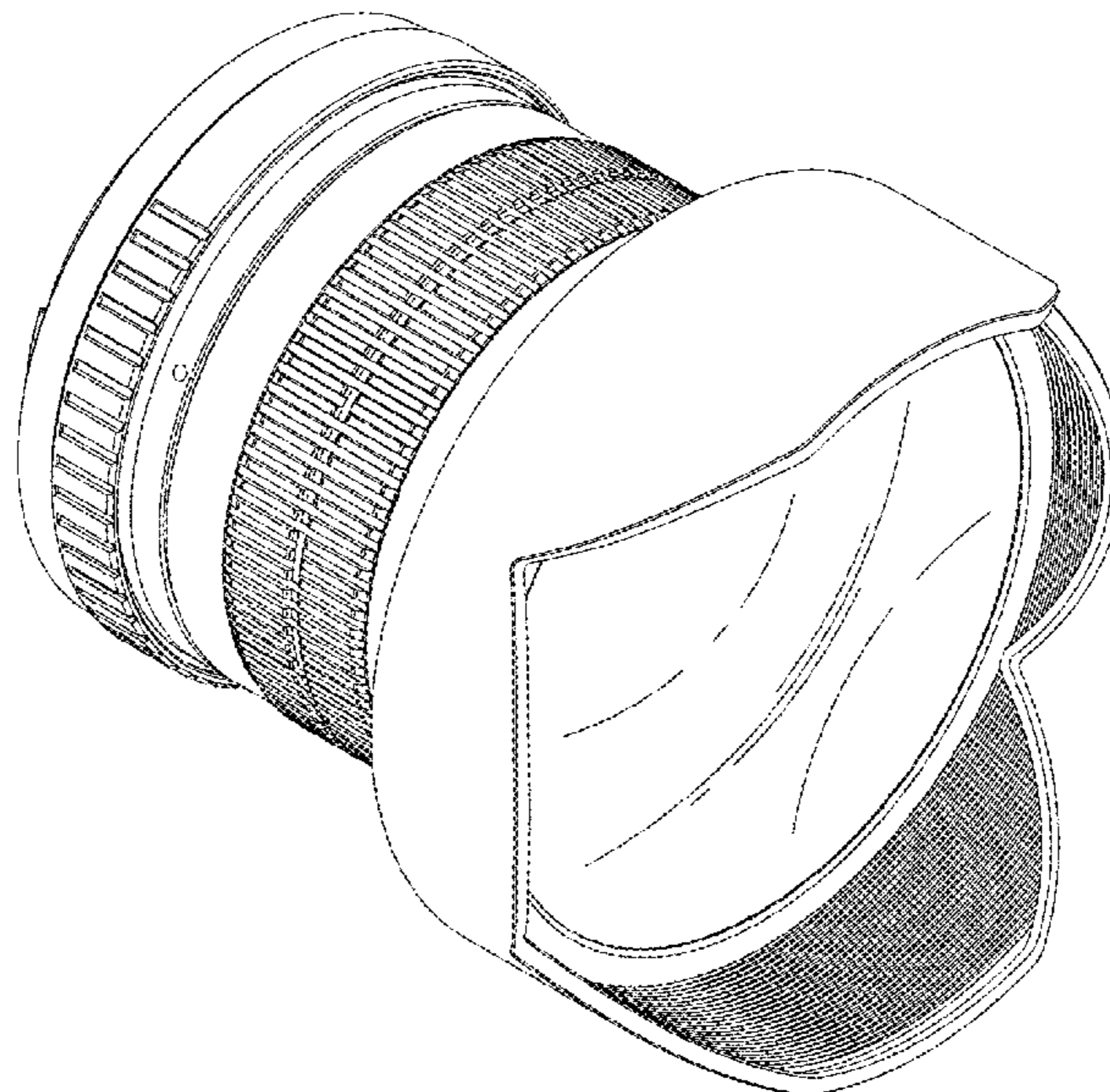


FIG. 1

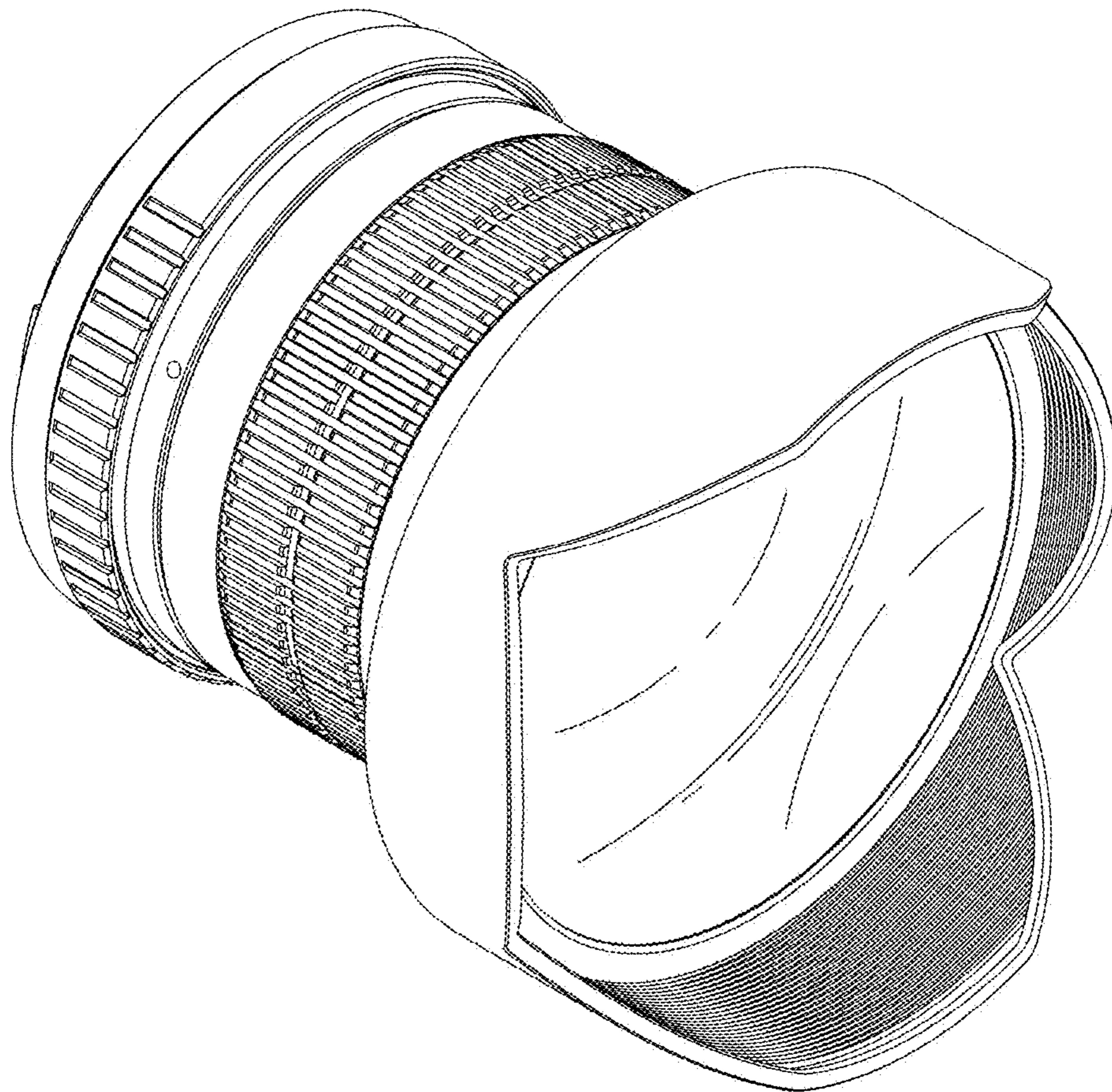


FIG. 2

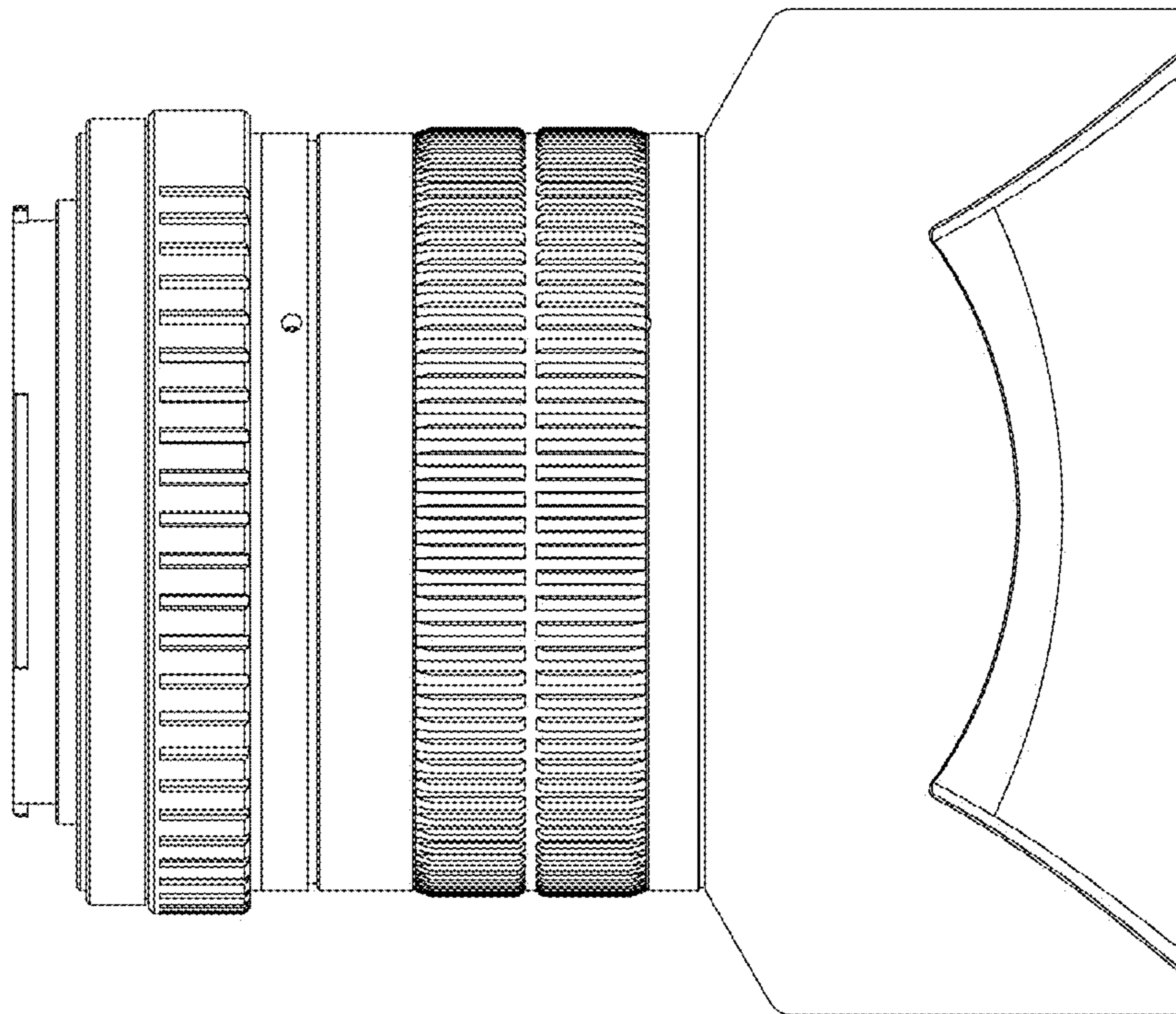


FIG. 3

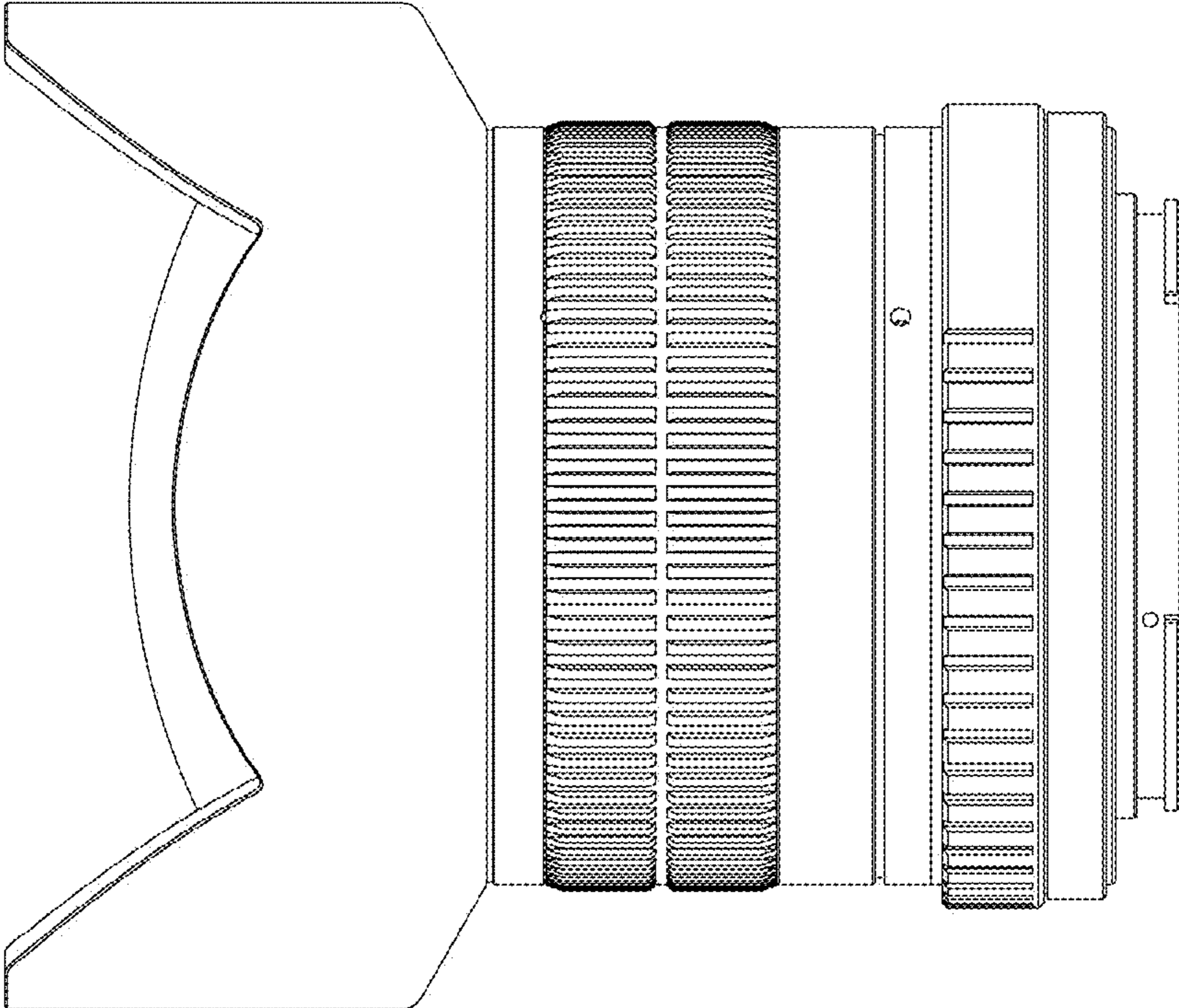
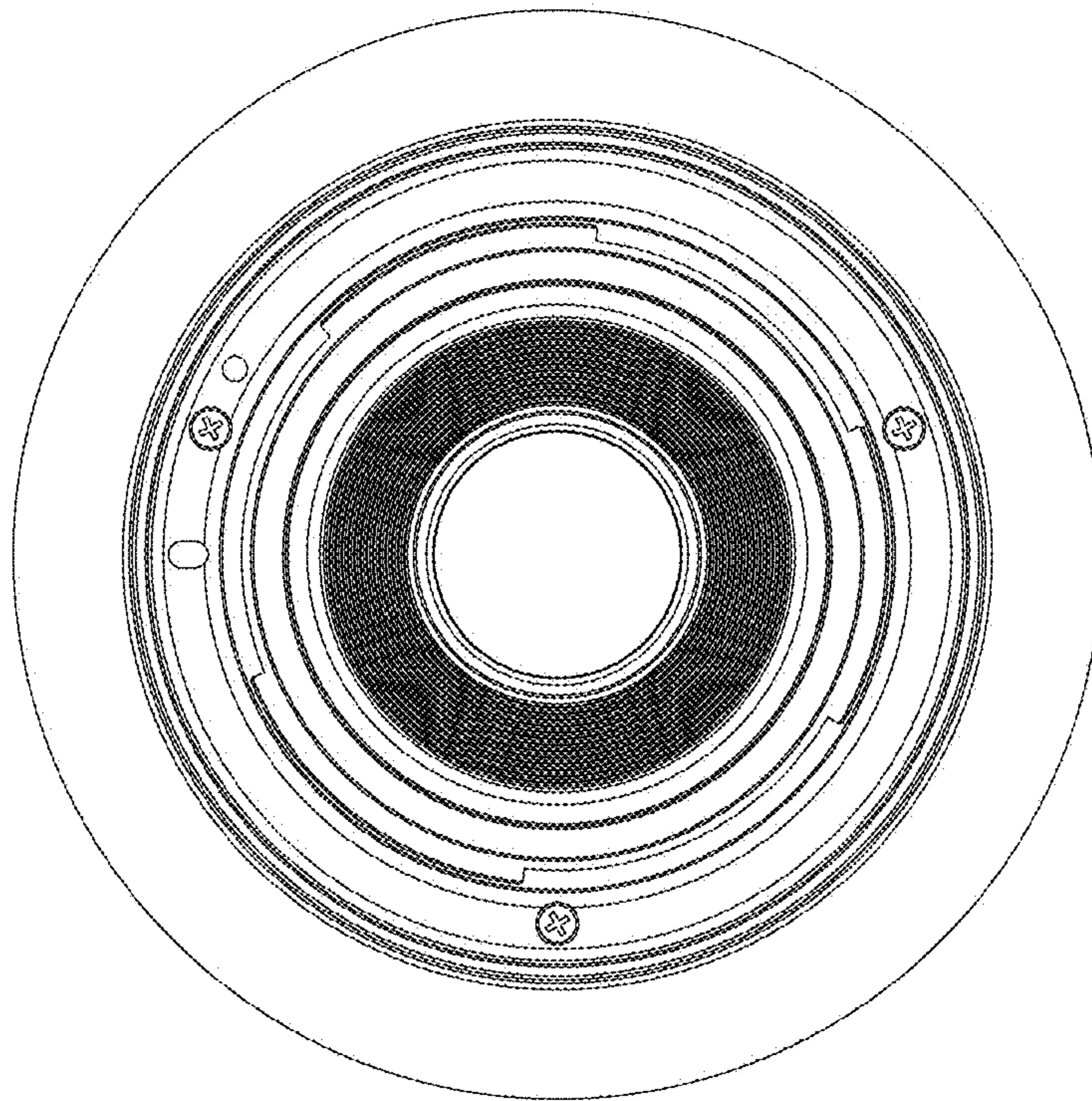


FIG. 4



**FIG. 5**

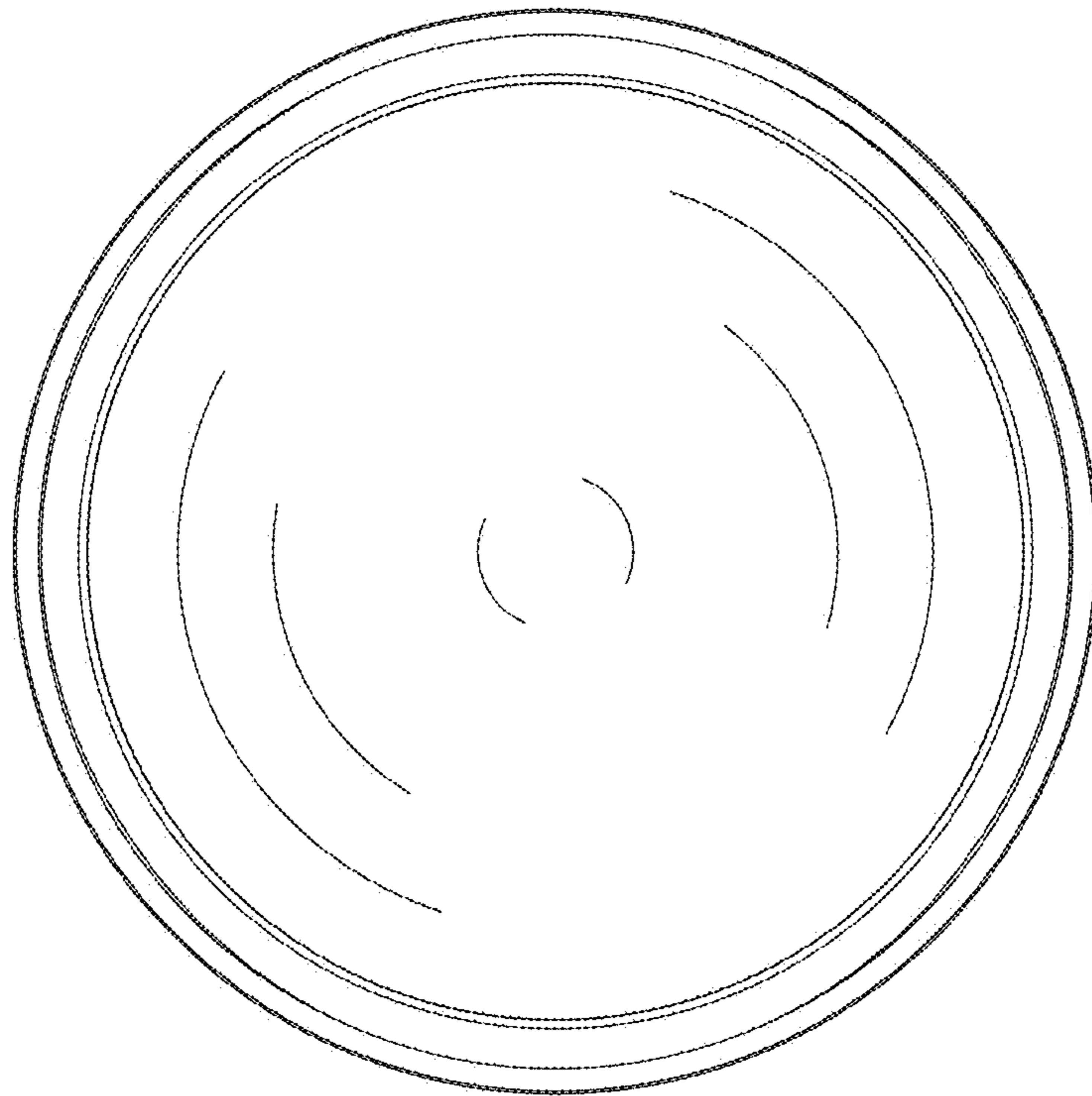


FIG. 6

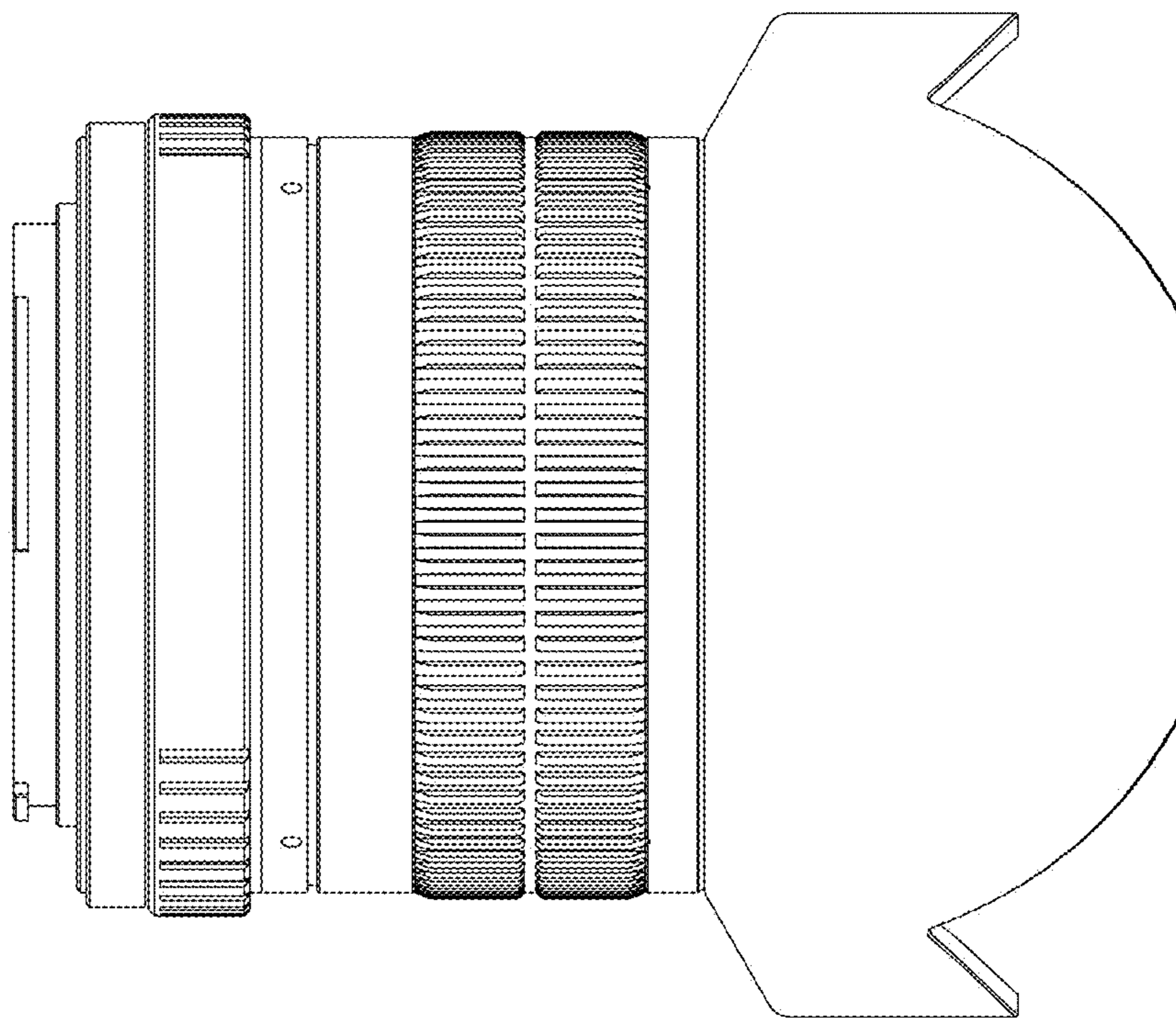


FIG. 7

