



US00D737356S

(12) **United States Design Patent**
Tabuchi

(10) **Patent No.:** **US D737,356 S**

(45) **Date of Patent:** **** Aug. 25, 2015**

(54) **CAMERA**

(71) Applicant: **Elmo i-tech Co., Ltd.**, Osaka-shi, Osaka (JP)

(72) Inventor: **Junichiro Tabuchi**, Osaka (JP)

(73) Assignee: **Elmo Co., Ltd.**, Nagoya-Shi (JP)

(**) Term: **14 Years**

(21) Appl. No.: **29/488,902**

(22) Filed: **Apr. 24, 2014**

(30) **Foreign Application Priority Data**

Oct. 31, 2013 (JP) D2013-025400

(51) **LOC (10) Cl.** **16-01**

(52) **U.S. Cl.**
USPC **D16/218**

(58) **Field of Classification Search**
USPC D16/200, 202, 204, 208, 218;
348/373-376; 358/906; 396/6,
396/535-541
See application file for complete search history.

(56) **References Cited**

U.S. PATENT DOCUMENTS

D113,220 S * 2/1939 Crumrine D16/218
4,456,931 A * 6/1984 Toyoda et al. 358/906
5,576,781 A * 11/1996 Deleeuw 396/6

D465,504 S * 11/2002 Van Klinken D16/203
D474,221 S * 5/2003 Cheng D16/218
D477,342 S * 7/2003 Yeh D16/218
D582,955 S * 12/2008 Sekine et al. D16/218
D668,283 S * 10/2012 Ohno et al. D16/203
D690,756 S * 10/2013 Giugiaro et al. D16/202
D692,939 S * 11/2013 Huang et al. D16/218
D707,746 S * 6/2014 Sakai D16/218

* cited by examiner

Primary Examiner — Adir Aronovich

(74) *Attorney, Agent, or Firm* — Posz Law Group, PLC

(57) **CLAIM**

The ornamental design for a camera, as shown and described.

DESCRIPTION

FIG. 1 is a front, top and right perspective view of a camera showing my new design.

FIG. 2 is a rear, top and left side perspective view of the camera.

FIG. 3 is a front elevational view of the camera.

FIG. 4 is a rear elevational view of the camera.

FIG. 5 is a right side elevational view of the camera.

FIG. 6 is a left side elevational view of the camera.

FIG. 7 is a top plan view of the camera.

FIG. 8 is a bottom plan view of the camera; and,

FIG. 9 is a front, top and right perspective view of the camera showing a protector mounted on the lens cover.

1 Claim, 9 Drawing Sheets

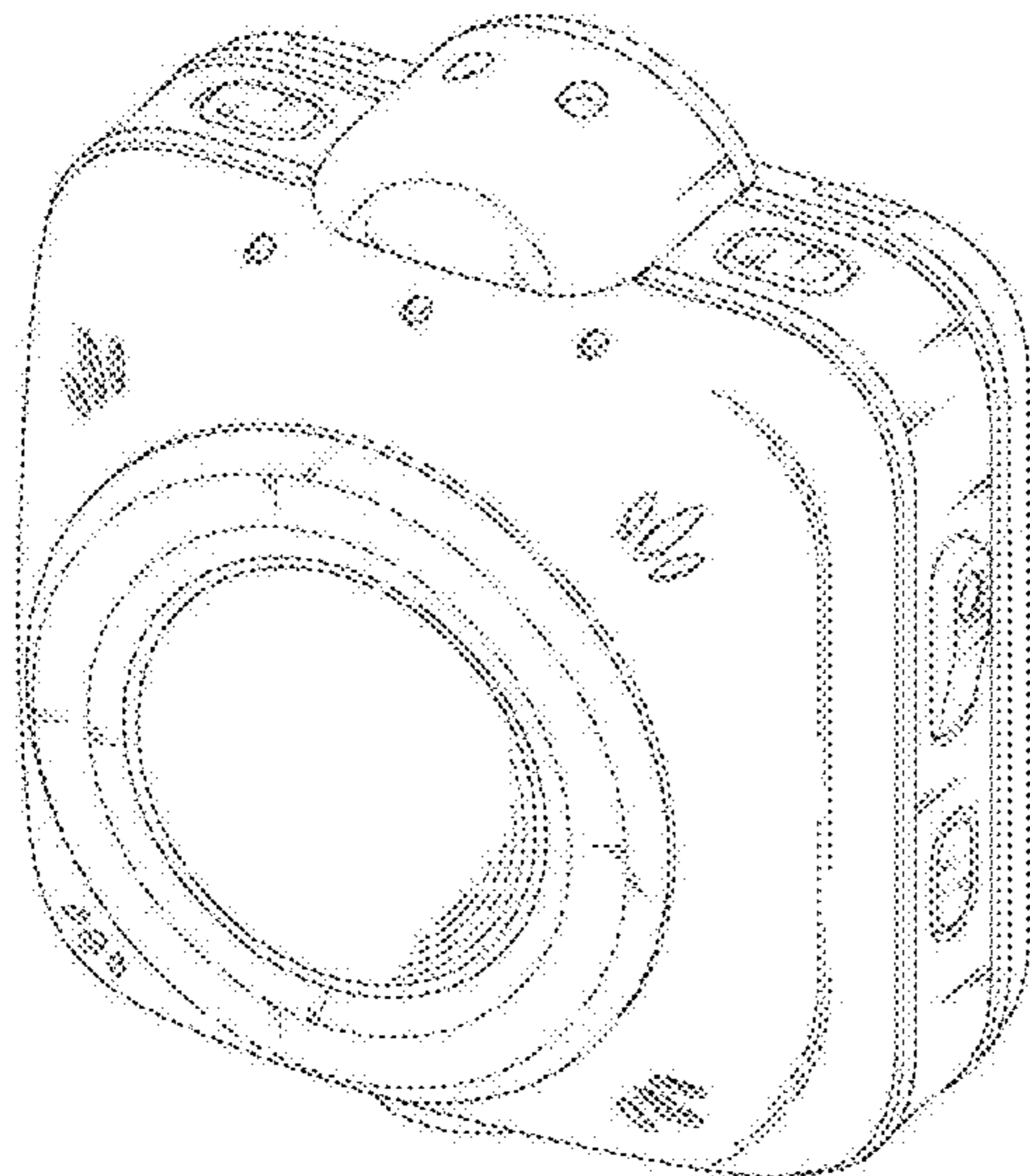


FIG. 1

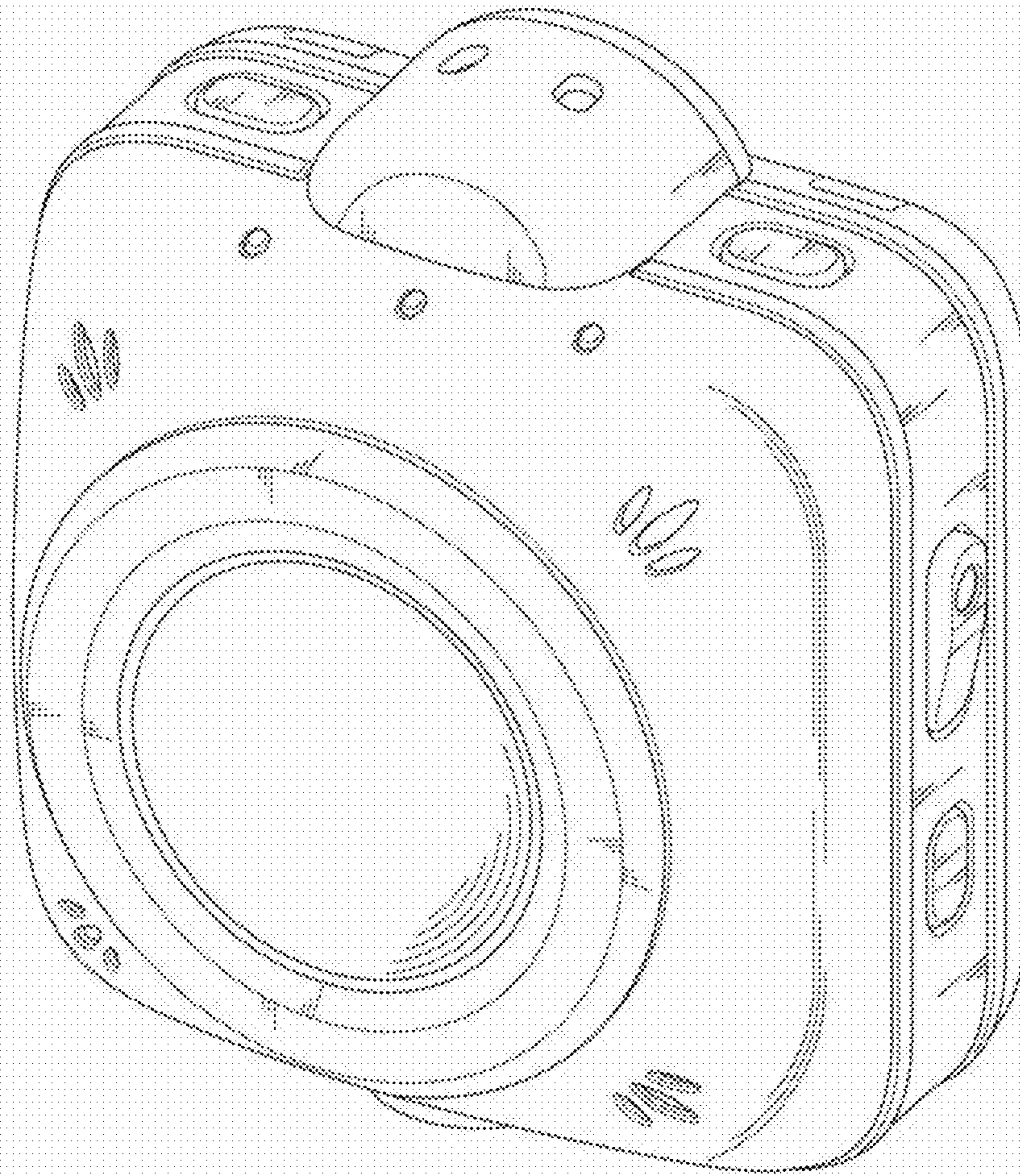


FIG. 2



FIG. 3

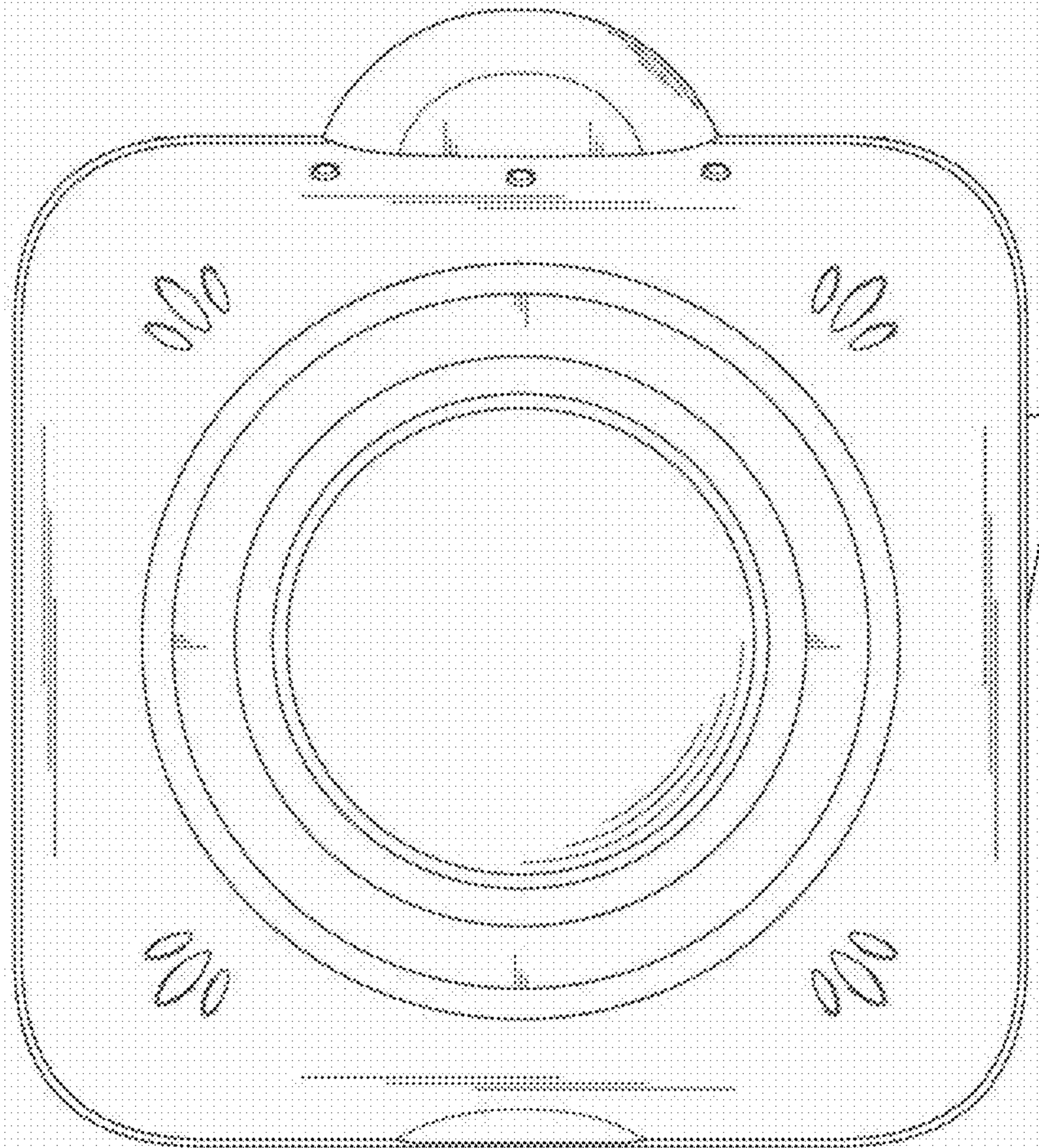


FIG. 4



FIG. 5

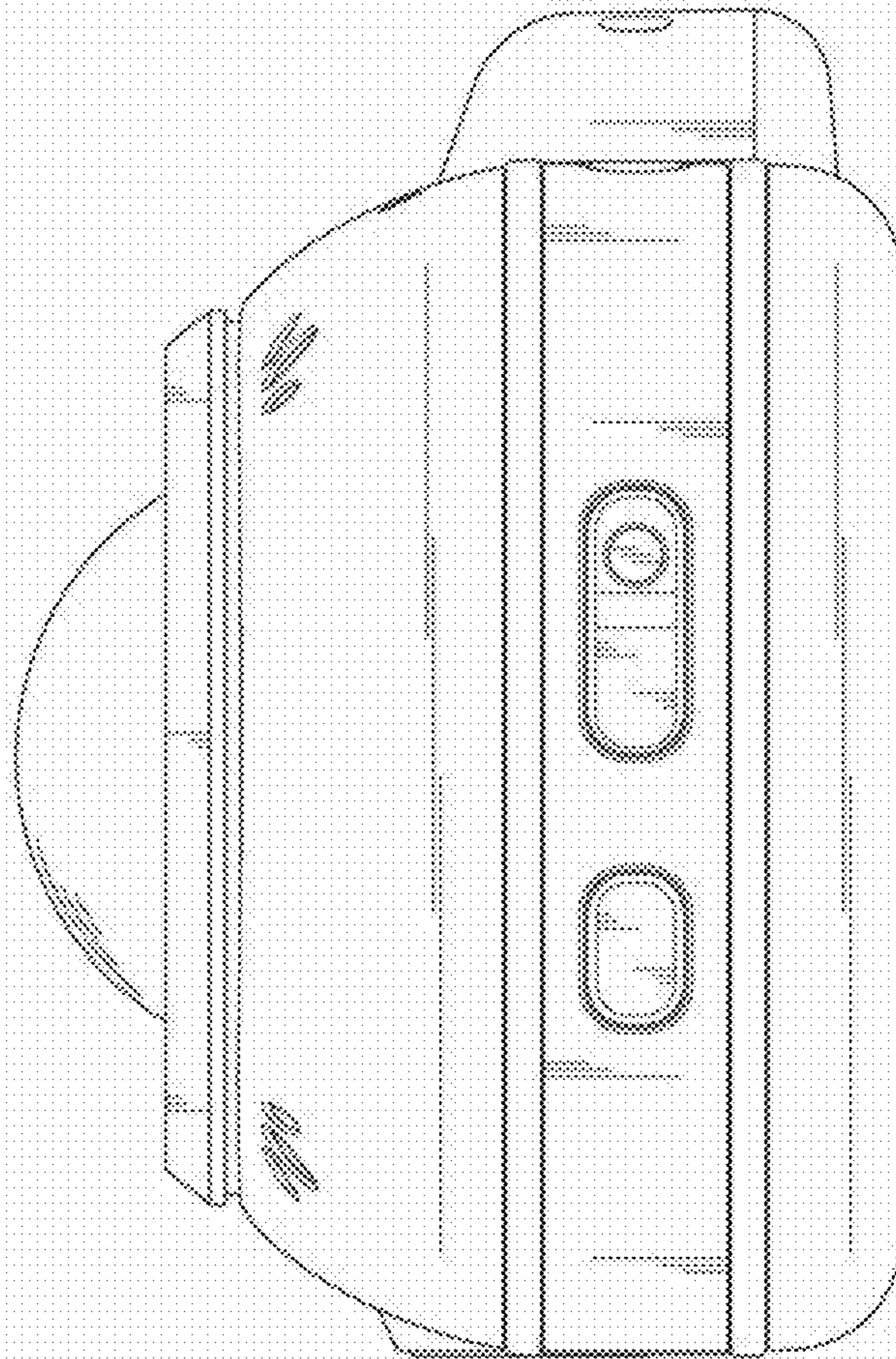


FIG. 6

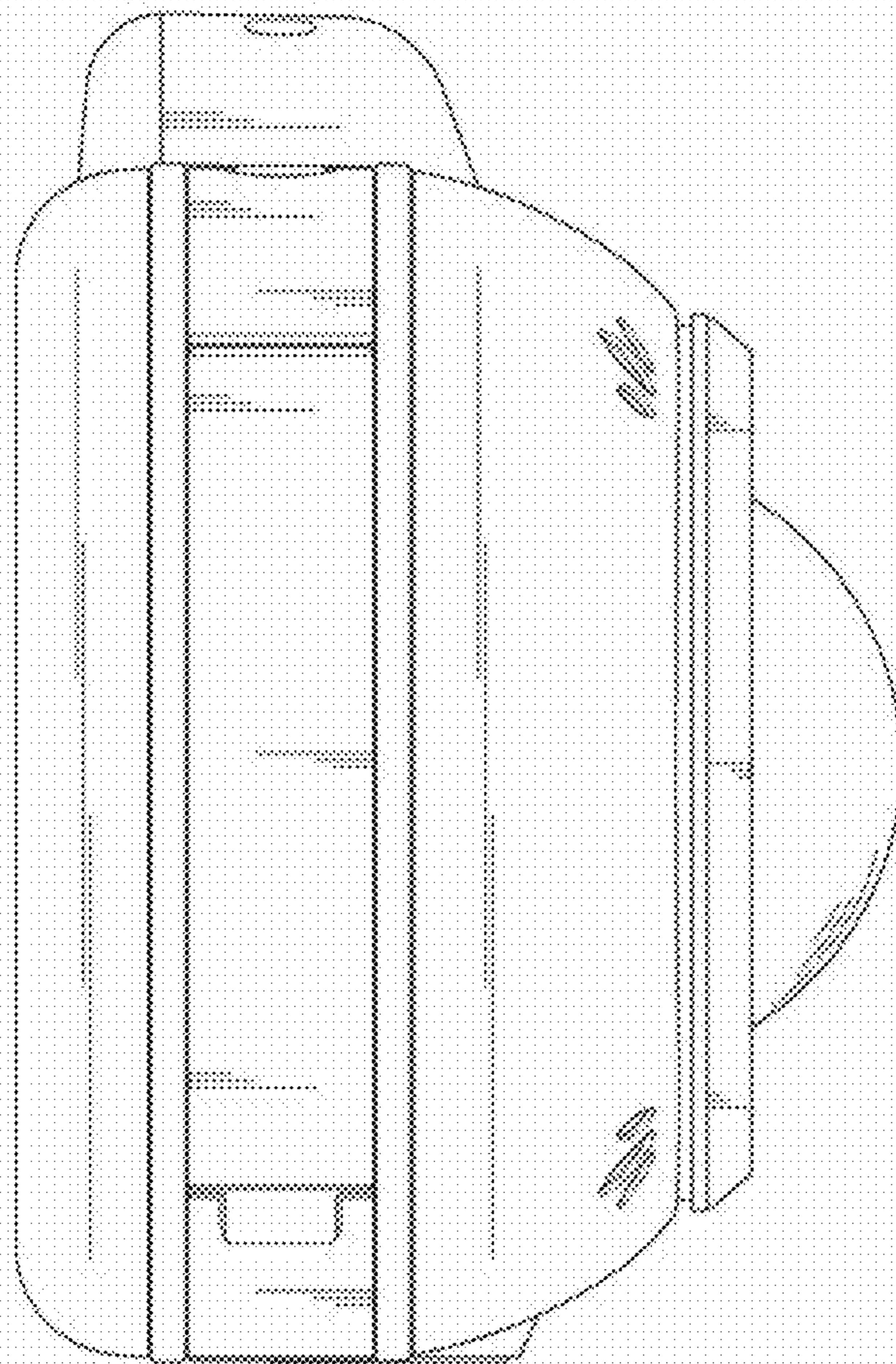


FIG. 7

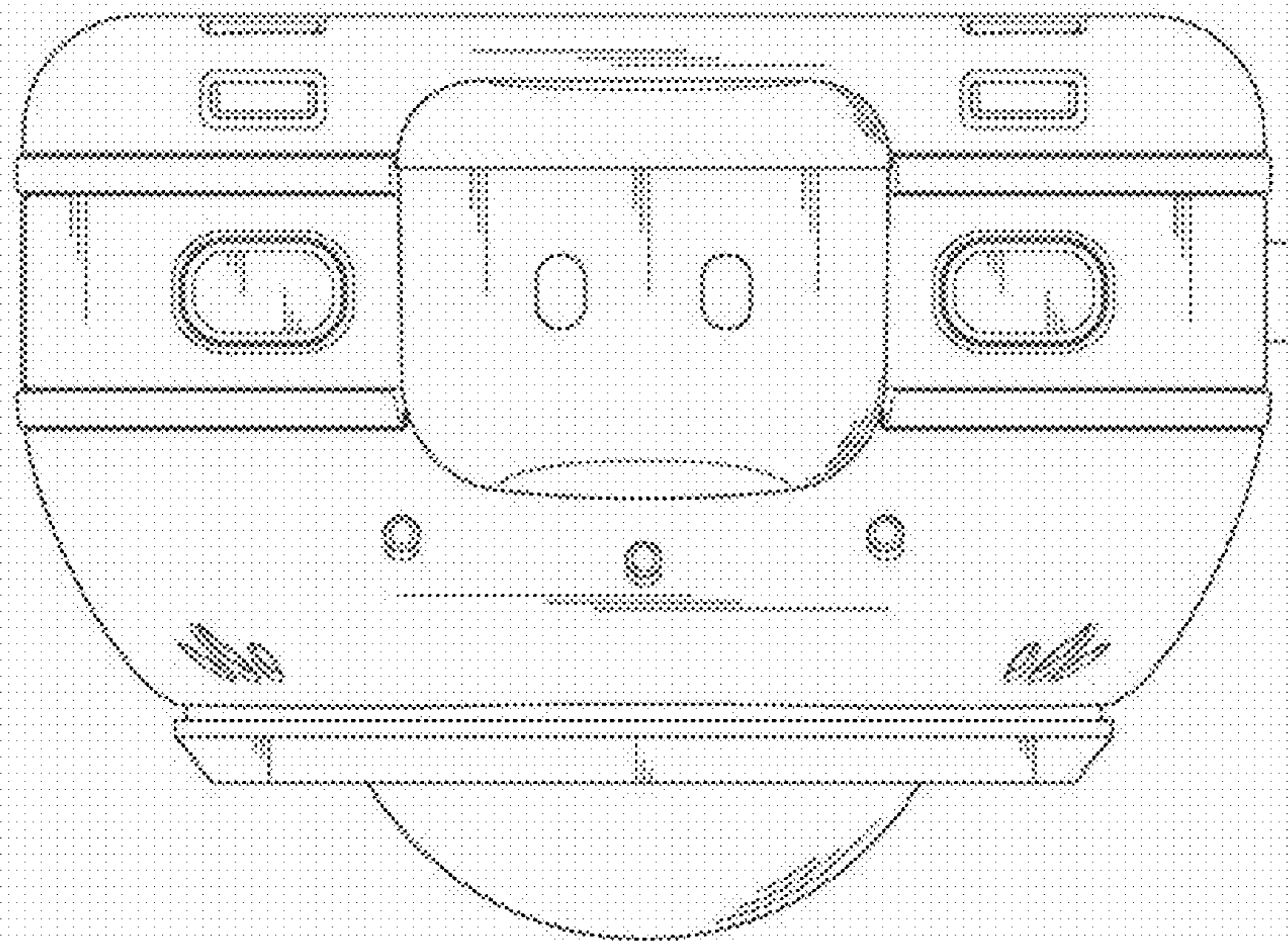


FIG. 8

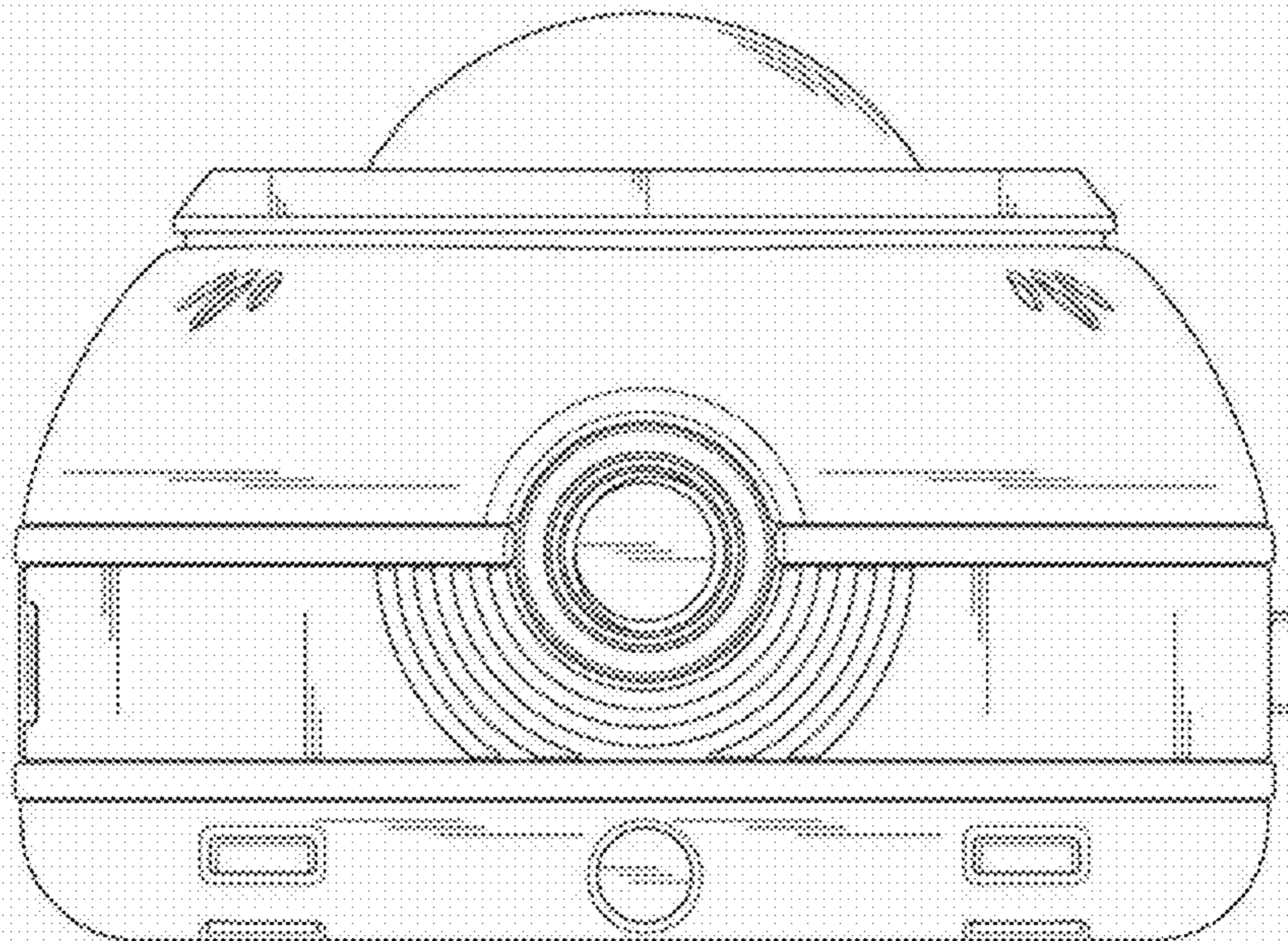


FIG. 9

