

US00D737355S

(12) **United States Design Patent**
Tainaka

(10) **Patent No.:** **US D737,355 S**

(45) **Date of Patent:** **** Aug. 25, 2015**

(54) **DIGITAL CAMERA**

(71) Applicant: **OLYMPUS IMAGING CORP.**,
Shibuya-ku, Tokyo (JP)

(72) Inventor: **Daisuke Tainaka**, Hachioji (JP)

(73) Assignee: **OLYMPUS IMAGING CORP.**, Tokyo
(JP)

(**) Term: **14 Years**

(21) Appl. No.: **29/491,676**

(22) Filed: **May 22, 2014**

(30) **Foreign Application Priority Data**

Feb. 12, 2014 (JP) 2014-002780

(51) **LOC (10) Cl.** **16-01**

(52) **U.S. Cl.**
USPC **D16/202**

(58) **Field of Classification Search**
USPC D16/200, 202, 204, 206, 208, 218;
348/373-376; 396/535, 539-541
CPC G03B 15/03; G03B 17/02; G03B 17/04;
G03B 17/56; G03B 19/04; H04N 5/2251;
H04N 5/2252; H04N 5/2253; H04N 5/2254;
H04N 2101/00

See application file for complete search history.

(56) **References Cited**

U.S. PATENT DOCUMENTS

D631,496 S *	1/2011	Tainaka	D16/202
D633,934 S *	3/2011	Funakoshi	D16/202
8,233,082 B2 *	7/2012	Yamamoto	348/375
D681,710 S *	5/2013	Sato	D16/200
D697,960 S *	1/2014	Sato	D16/219
D698,839 S *	2/2014	Sato	D16/200
D712,953 S *	9/2014	Nohara	D16/219
D719,599 S *	12/2014	Fujita	D16/202

* cited by examiner

Primary Examiner — Adir Aronovich

(74) *Attorney, Agent, or Firm* — Holtz, Holtz, Goodman & Chick PC

(57) **CLAIM**

The ornamental design for a digital camera, as shown.

DESCRIPTION

FIG. 1 is a front, top and right side perspective view of a digital camera showing my new design;
FIG. 2 is a front elevational view thereof;
FIG. 3 is a rear elevational view thereof;
FIG. 4 is a top plan view thereof;
FIG. 5 is a bottom plan view thereof;
FIG. 6 is a right side elevational view thereof; and,
FIG. 7 is a left side elevational view thereof.

1 Claim, 5 Drawing Sheets

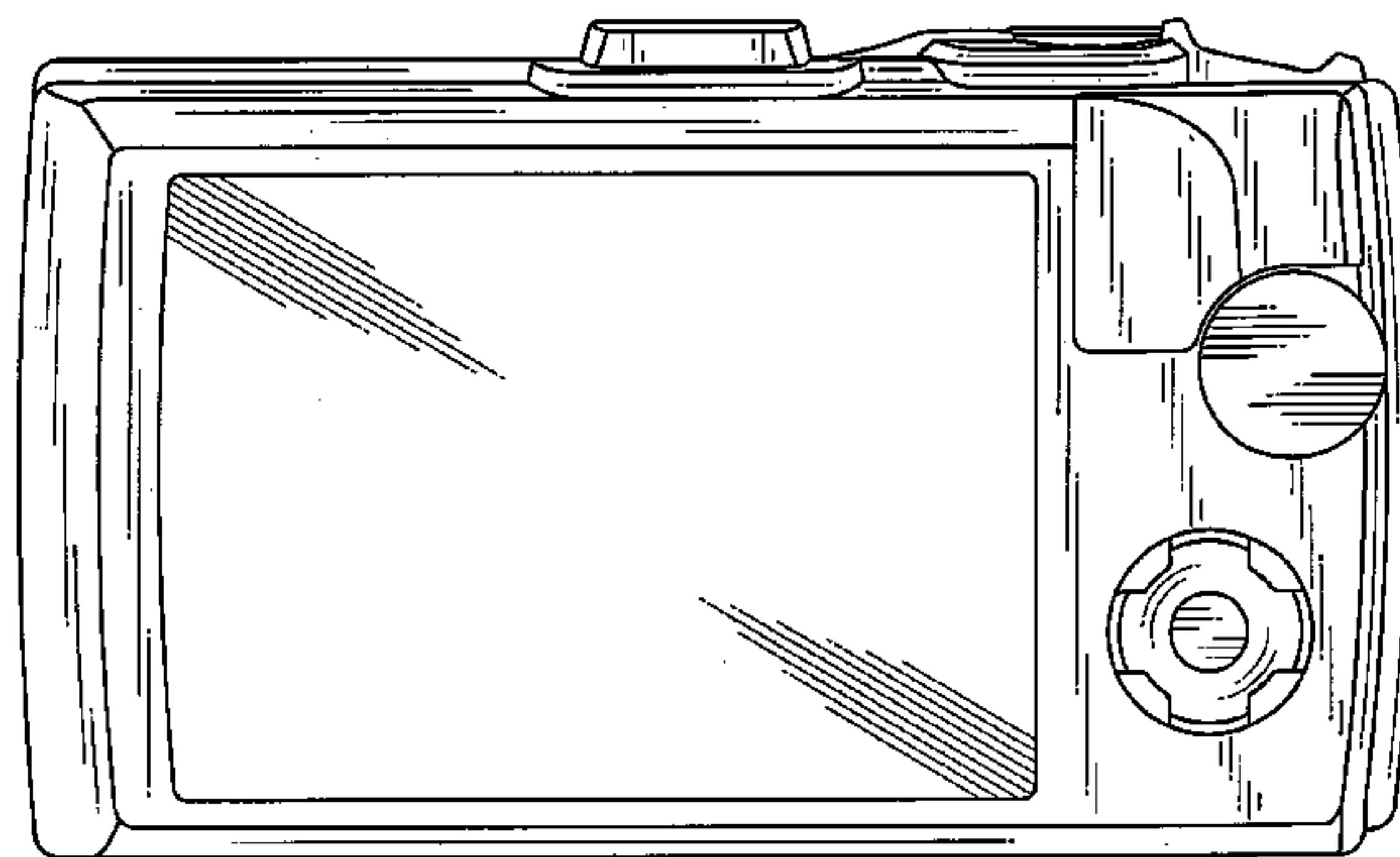
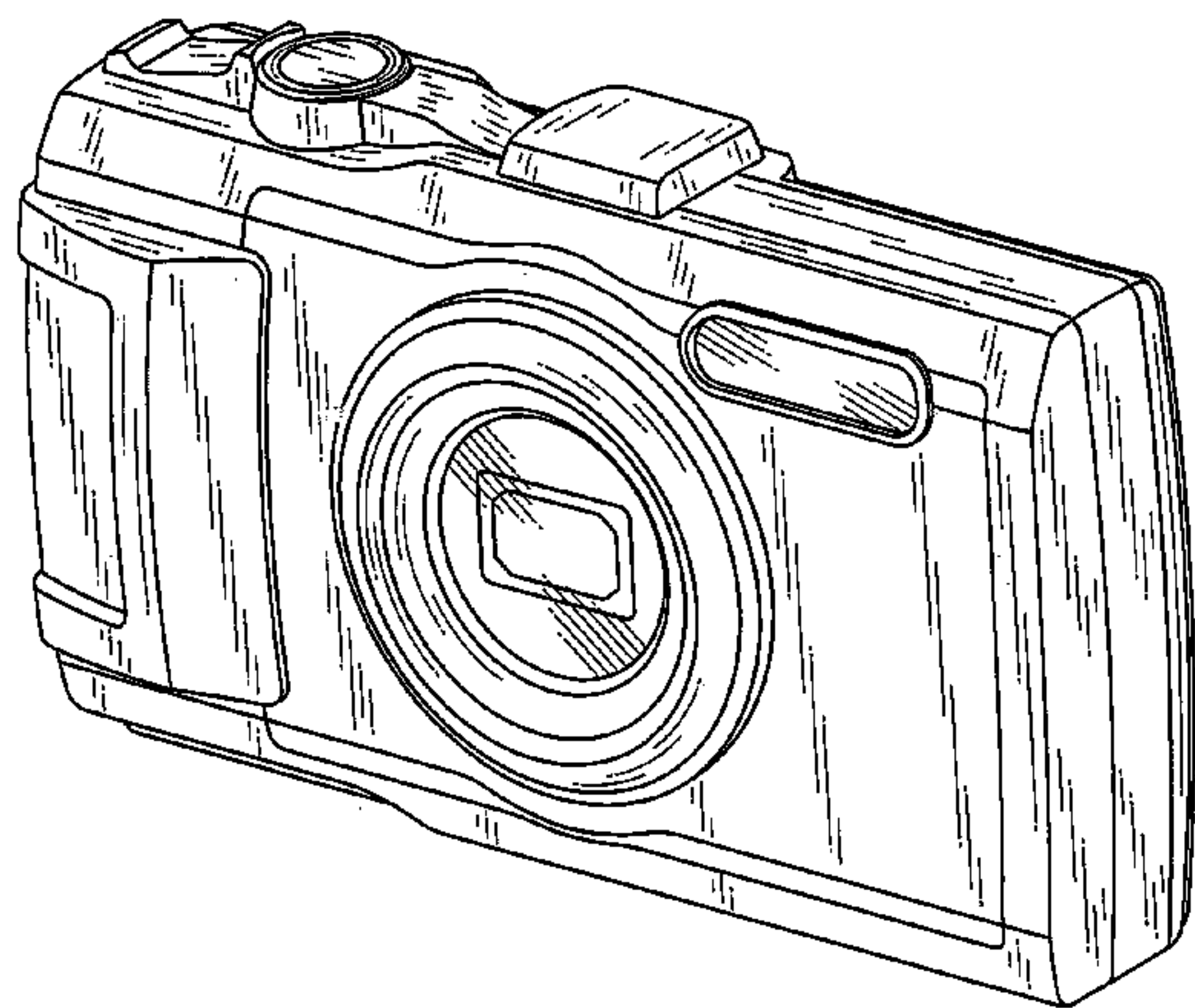


FIG.1

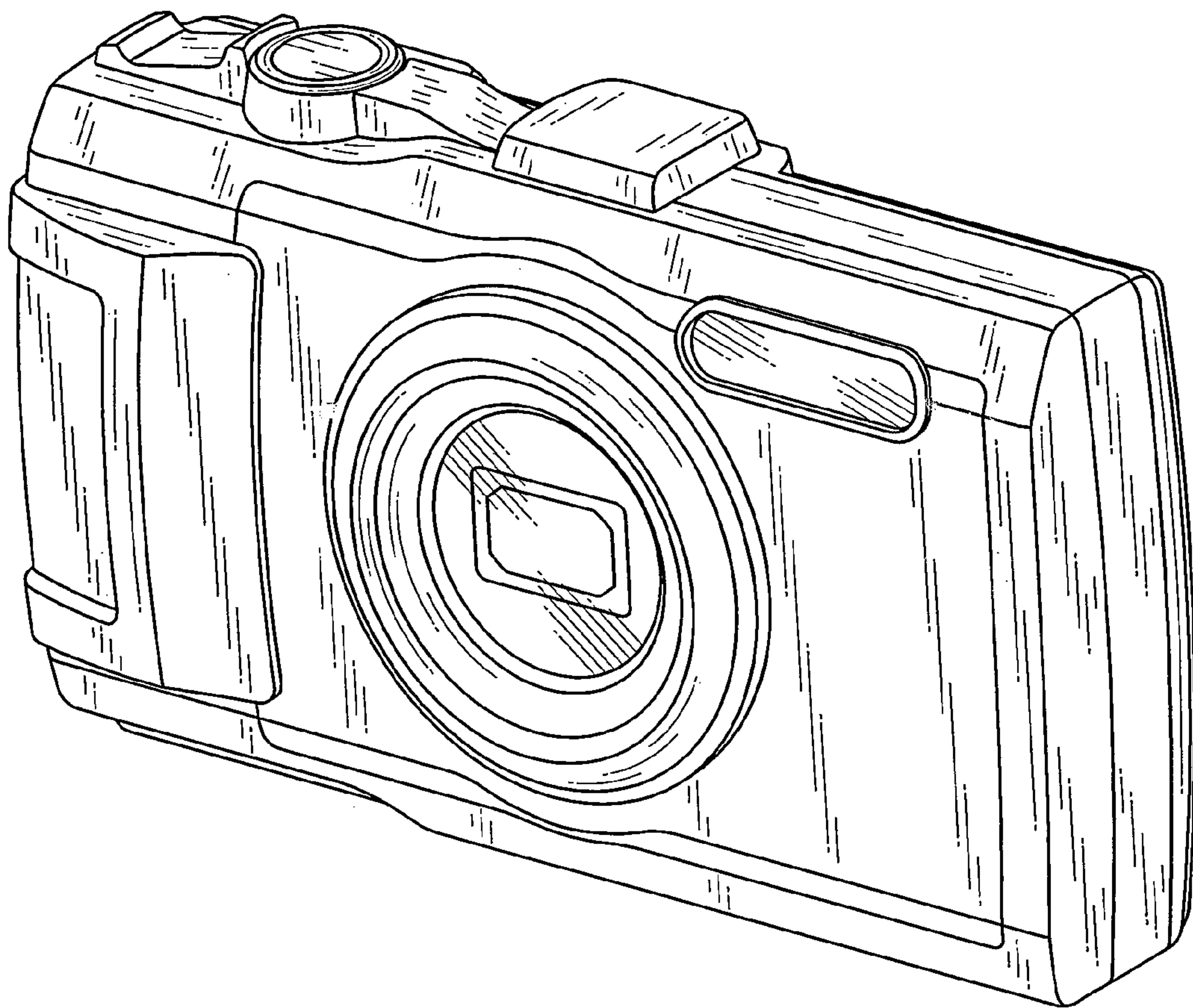


FIG.2

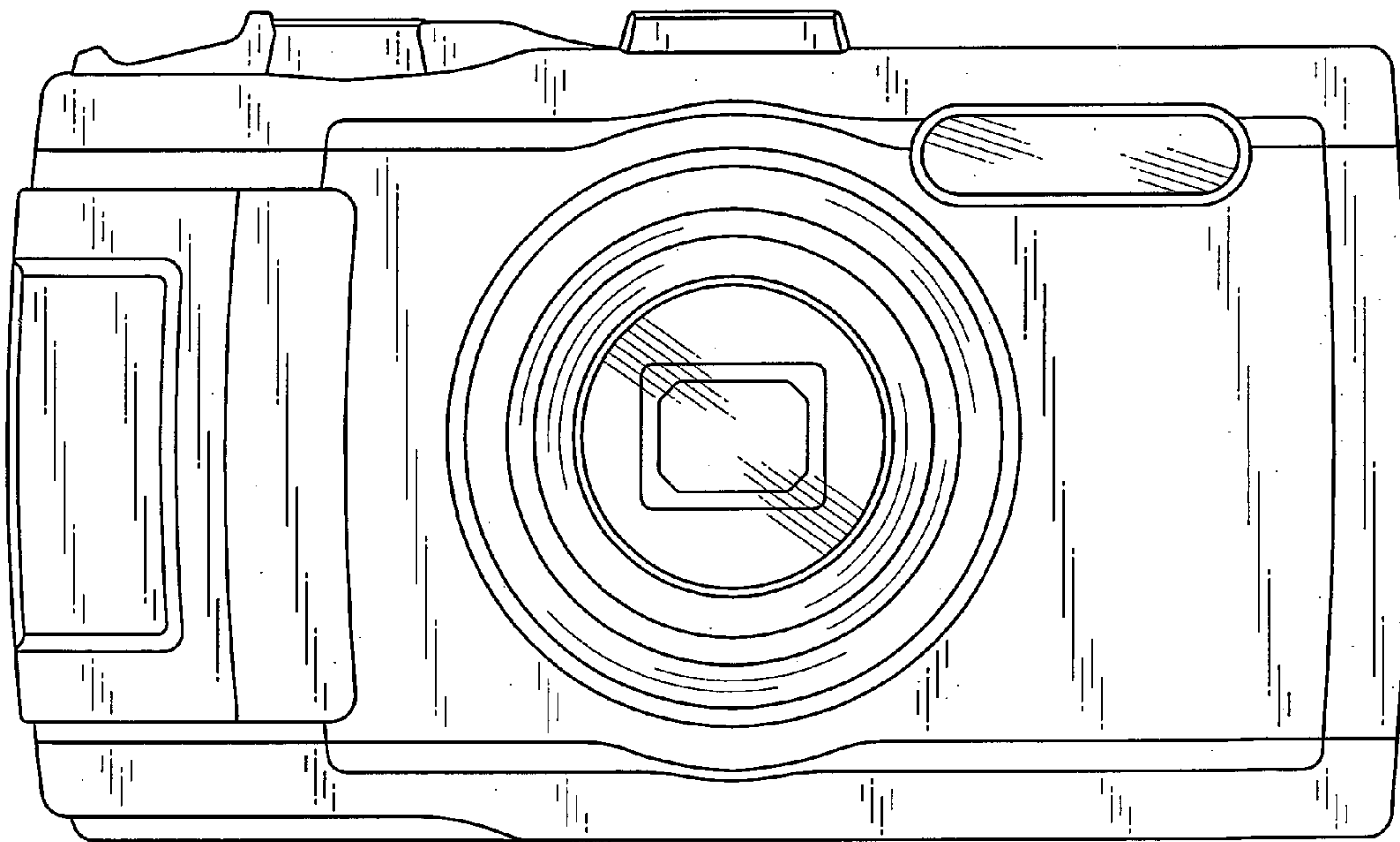


FIG.3

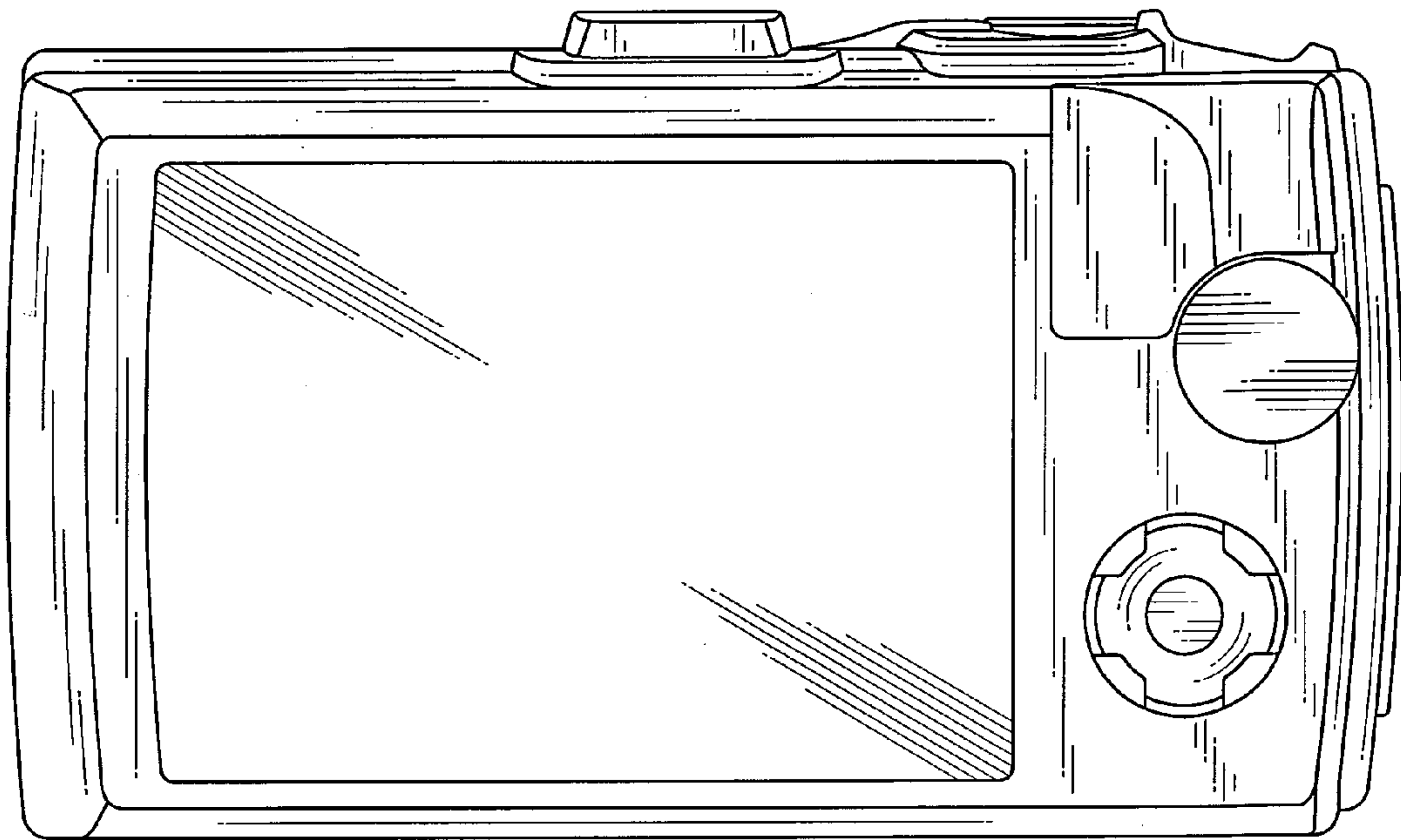


FIG.4

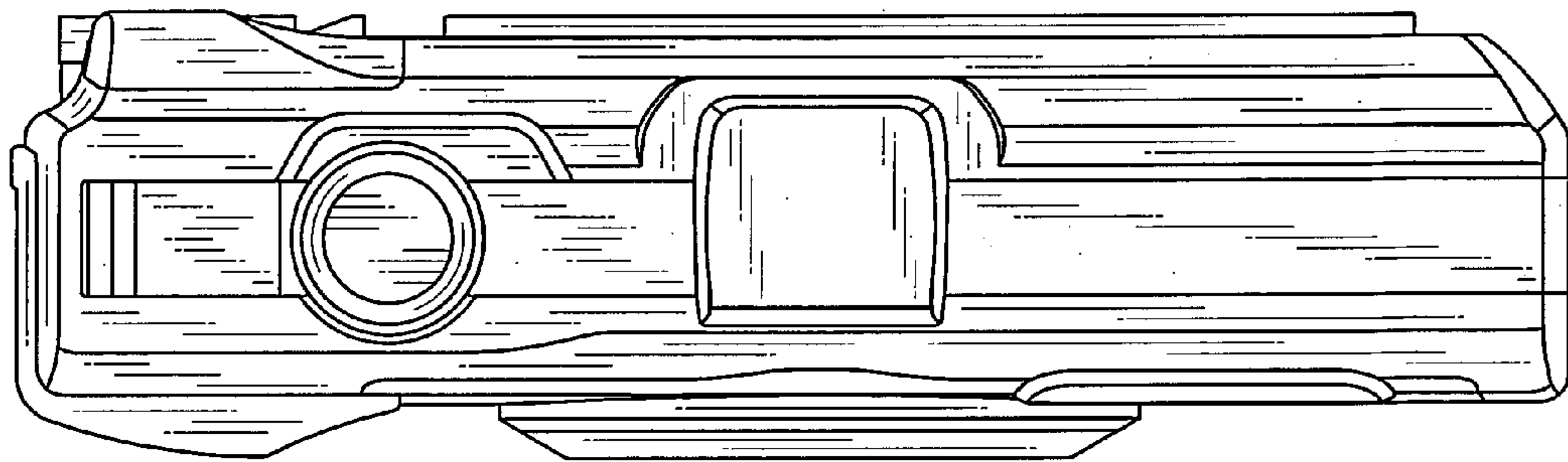


FIG.5

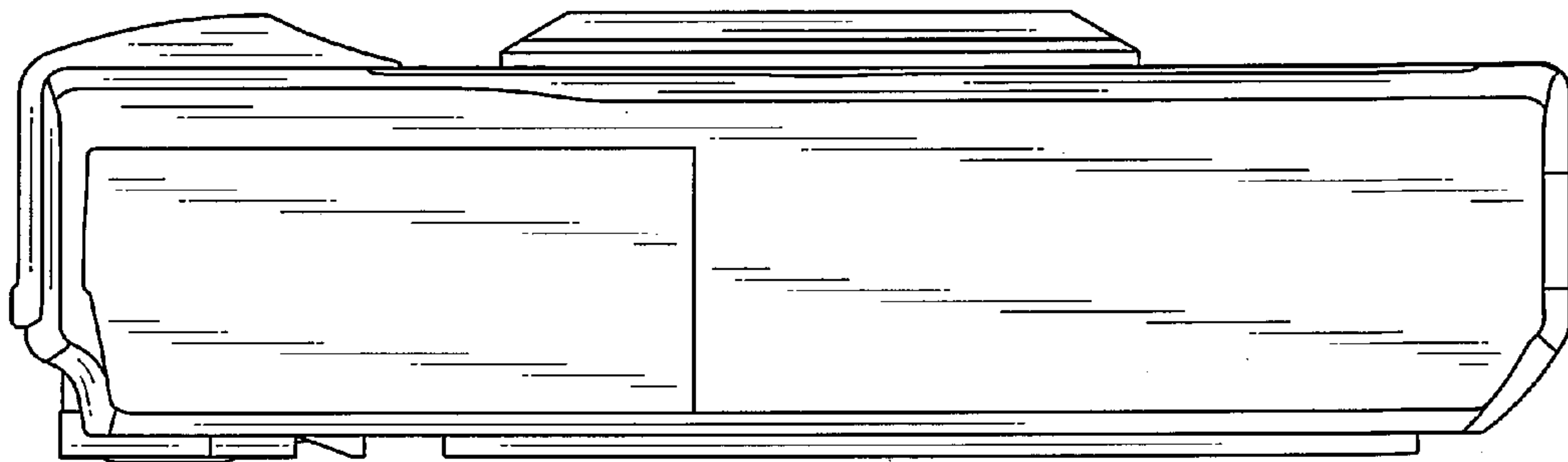


FIG.6

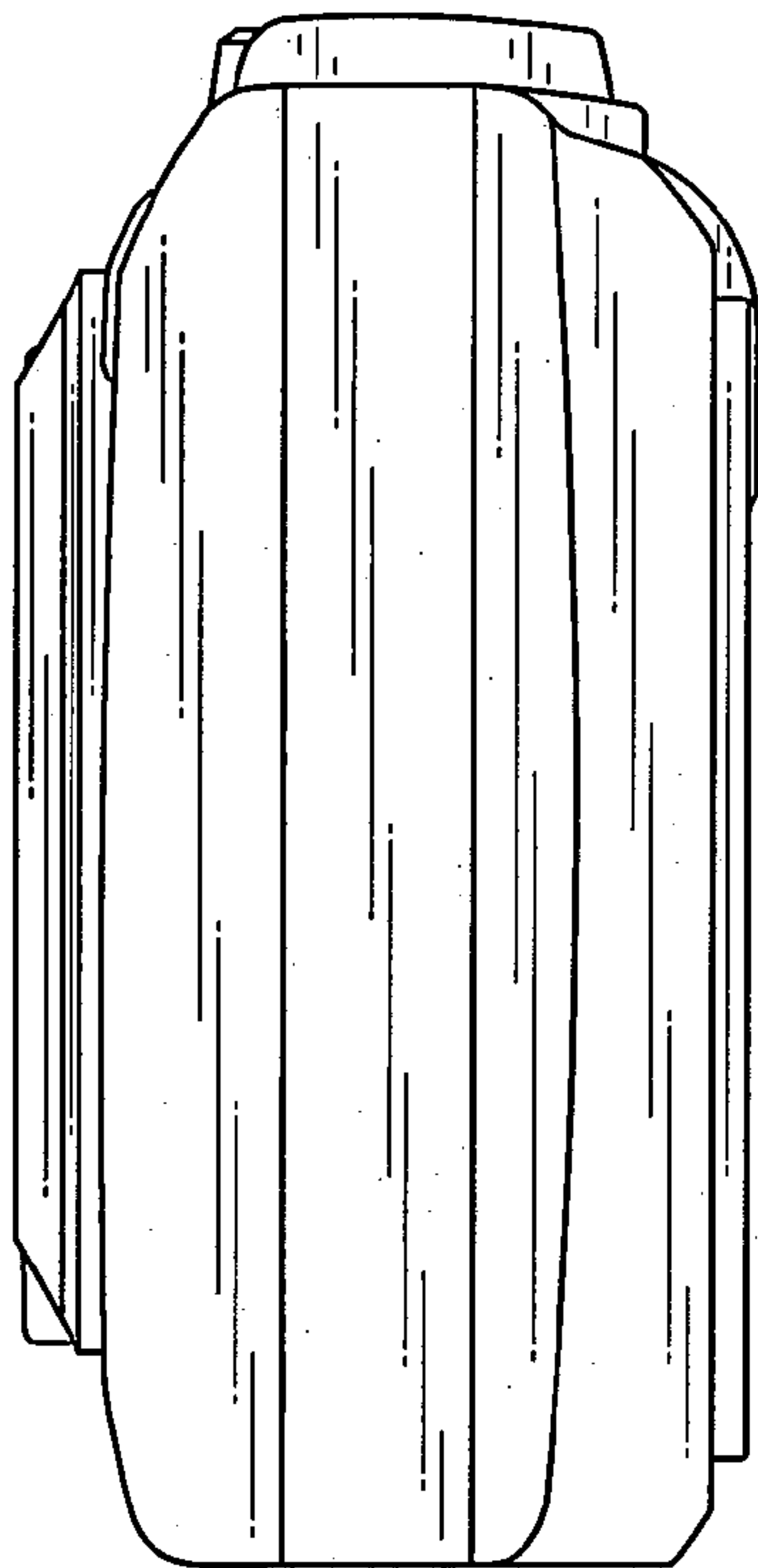


FIG.7

