



US00D737354S

(12) **United States Design Patent**  
**Hofmann et al.**

(10) **Patent No.:** **US D737,354 S**

(45) **Date of Patent:** **\*\* Aug. 25, 2015**

(54) **MICROSCOPE VIEWING HEAD**  
(71) Applicant: **Carl Zeiss Microscopy GmbH**, Jena (DE)  
(72) Inventors: **Kerstin Hofmann**, Goettingen (DE); **Axel Laschke**, Waake (DE); **Ilka Schlesiger**, Jena (DE); **Michael Winterot**, Jena (DE); **Martin Stohr**, Jena (DE)

(73) Assignee: **Carl Zeiss Microscopy GmbH**, Jena (DE)

(\*\*) Term: **14 Years**

(21) Appl. No.: **29/494,801**

(22) Filed: **Jun. 24, 2014**

(30) **Foreign Application Priority Data**

Apr. 3, 2014 (EM) ..... 002439794

(51) **LOC (10) Cl.** ..... **06-06**

(52) **U.S. Cl.**  
USPC ..... **D16/131**

(58) **Field of Classification Search**  
USPC ..... D16/131; 359/361, 368, 375, 376, 377, 359/378, 379, 380, 381, 382, 383, 384, 385, 359/387, 388, 389, 390, 393  
See application file for complete search history.

(56) **References Cited**

**U.S. PATENT DOCUMENTS**

D184,487 S \* 2/1959 Maier ..... D16/131  
D367,869 S \* 3/1996 Hofmann-Igl et al. .... D16/131  
6,337,766 B1 \* 1/2002 Fujino ..... 359/383

D460,096 S \* 7/2002 Apotheloz ..... D16/131  
D502,194 S \* 2/2005 Suzuki et al. .... D16/131  
D520,542 S \* 5/2006 Suzuki et al. .... D16/131  
D523,046 S \* 6/2006 Suzuki et al. .... D16/131  
D546,356 S \* 7/2007 Apotheloz ..... D16/131  
D577,047 S \* 9/2008 Apotheloz ..... D16/131  
D601,178 S \* 9/2009 Apotheloz ..... D16/131  
2011/0261445 A1 \* 10/2011 Mizuta ..... 359/376  
2012/0008193 A1 \* 1/2012 Moller et al. .... 359/376

**OTHER PUBLICATIONS**

Brochure of Stemi DR, Stemi DV4 and Stemi 2000 Stereomicroscopes, 30 pages, published by Carl Zeiss Microscopy GmbH, Jena, Germany.  
Brochure of Stemi 2000 Stereomicroscopes, 6 pages, published by Carl Zeiss Microscopy GmbH, Jena, Germany.

\* cited by examiner

*Primary Examiner* — Derrick Holland

*Assistant Examiner* — Lauren Calve

(74) *Attorney, Agent, or Firm* — Christensen Fonder P.A.

(57) **CLAIM**

We claim the ornamental design for a microscope viewing head, as shown and described.

**DESCRIPTION**

FIG. 1 is a rear perspective view of a microscope viewing head.

FIG. 2 is a left side elevational view thereof.

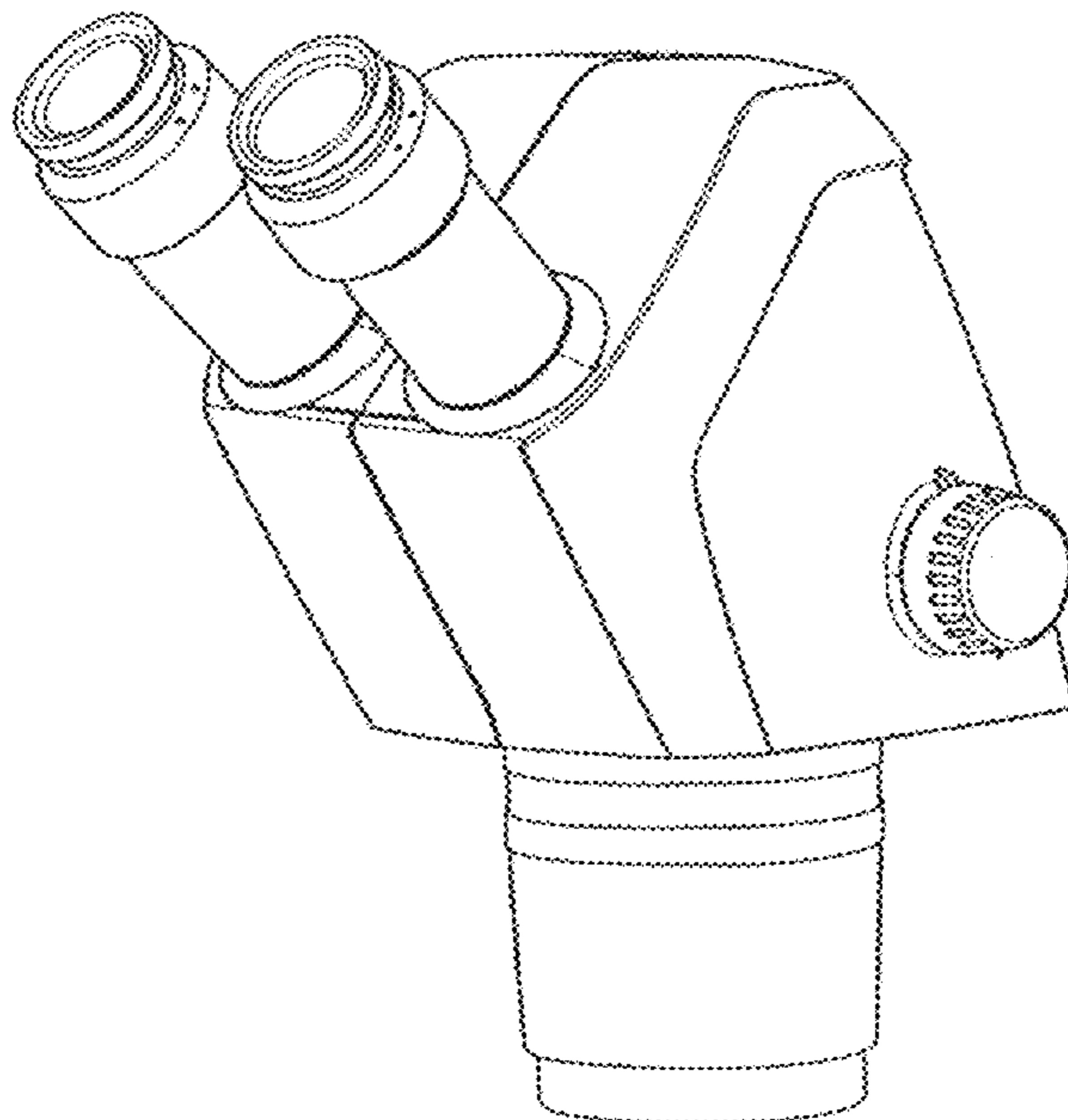
FIG. 3 is a rear elevational view thereof.

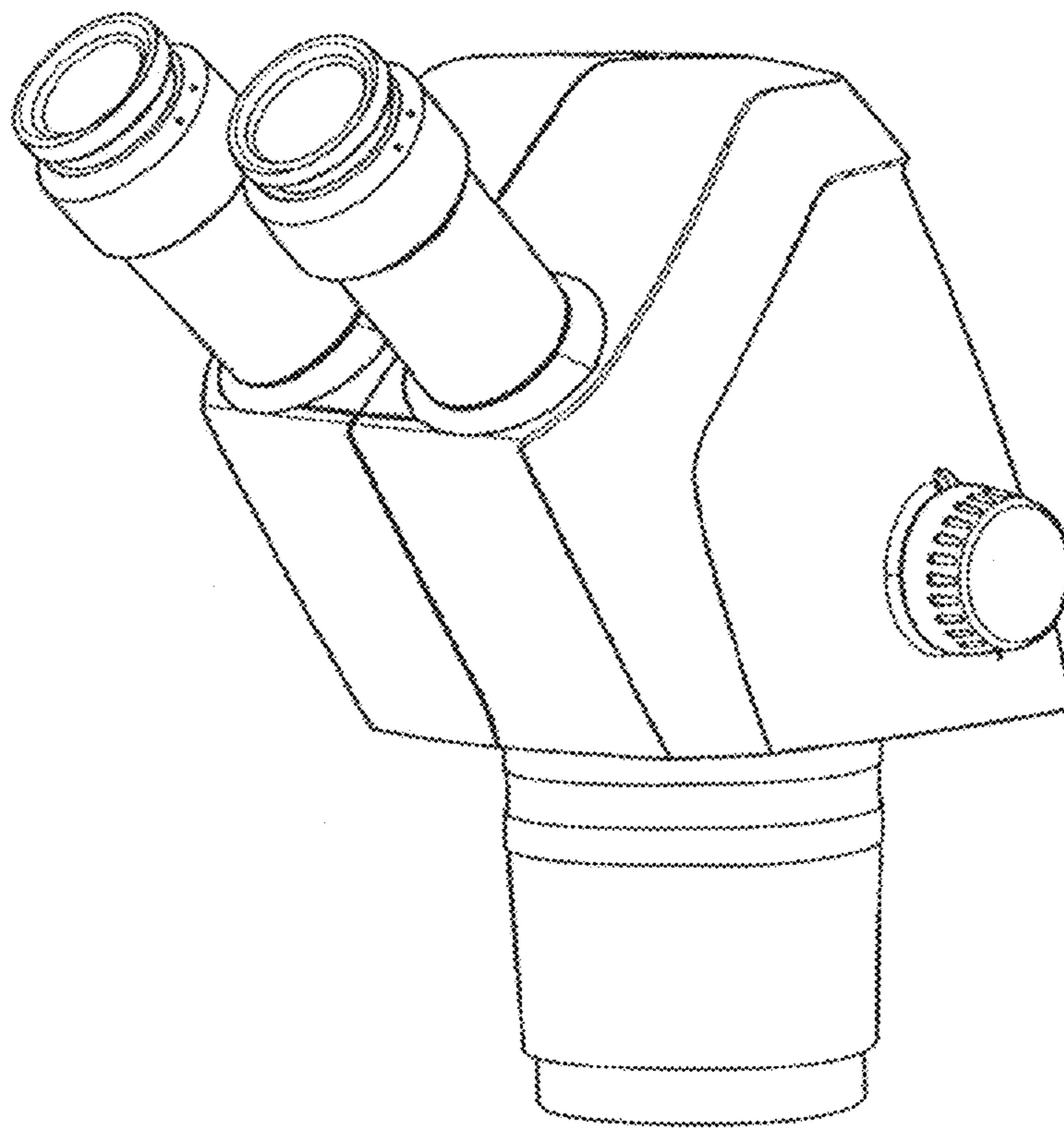
FIG. 4 is a front elevational view thereof; and,

FIG. 5 is a top plan view thereof.

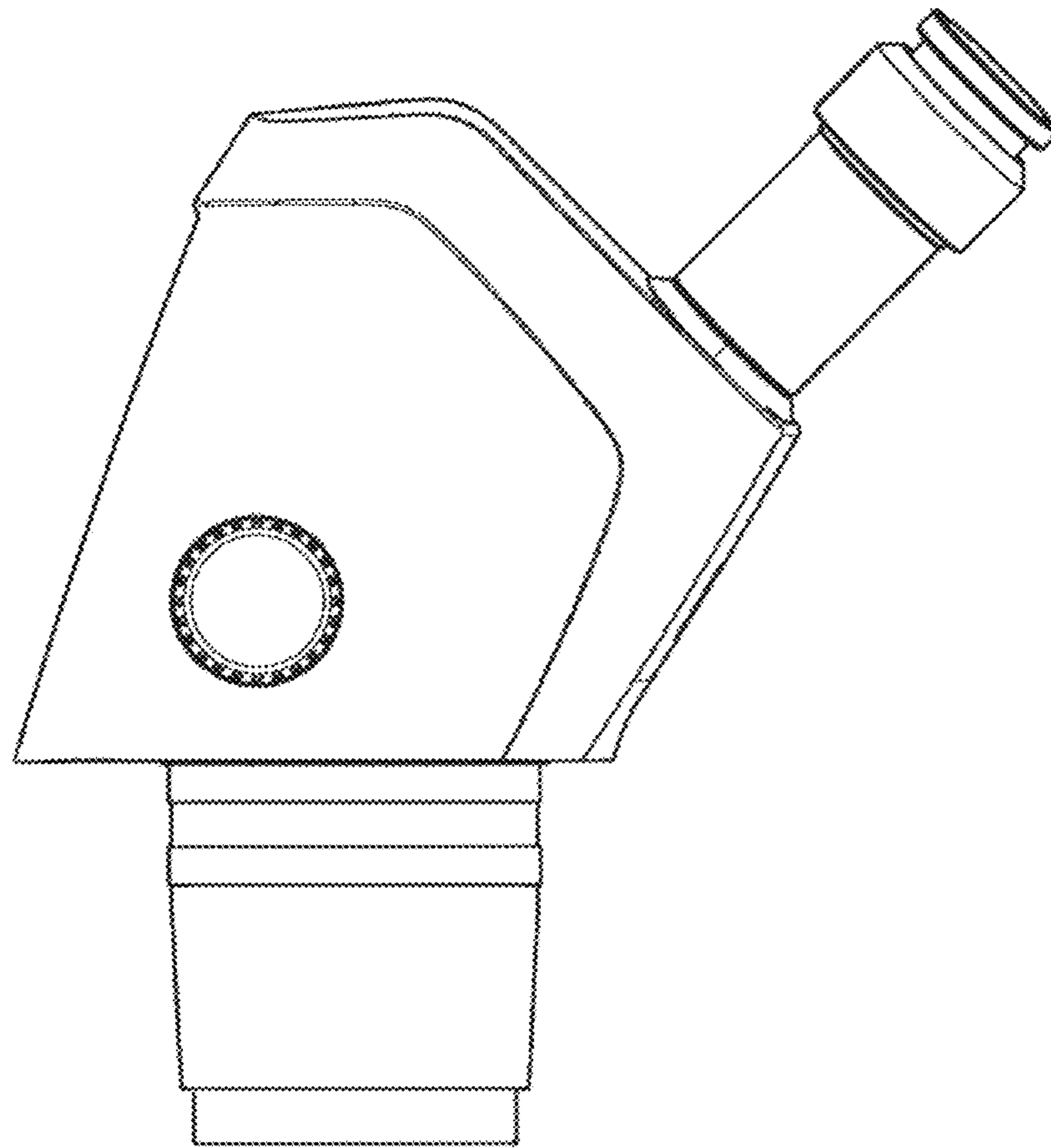
The bottom side of the microscope viewing head forms no part of the claimed design.

**1 Claim, 5 Drawing Sheets**

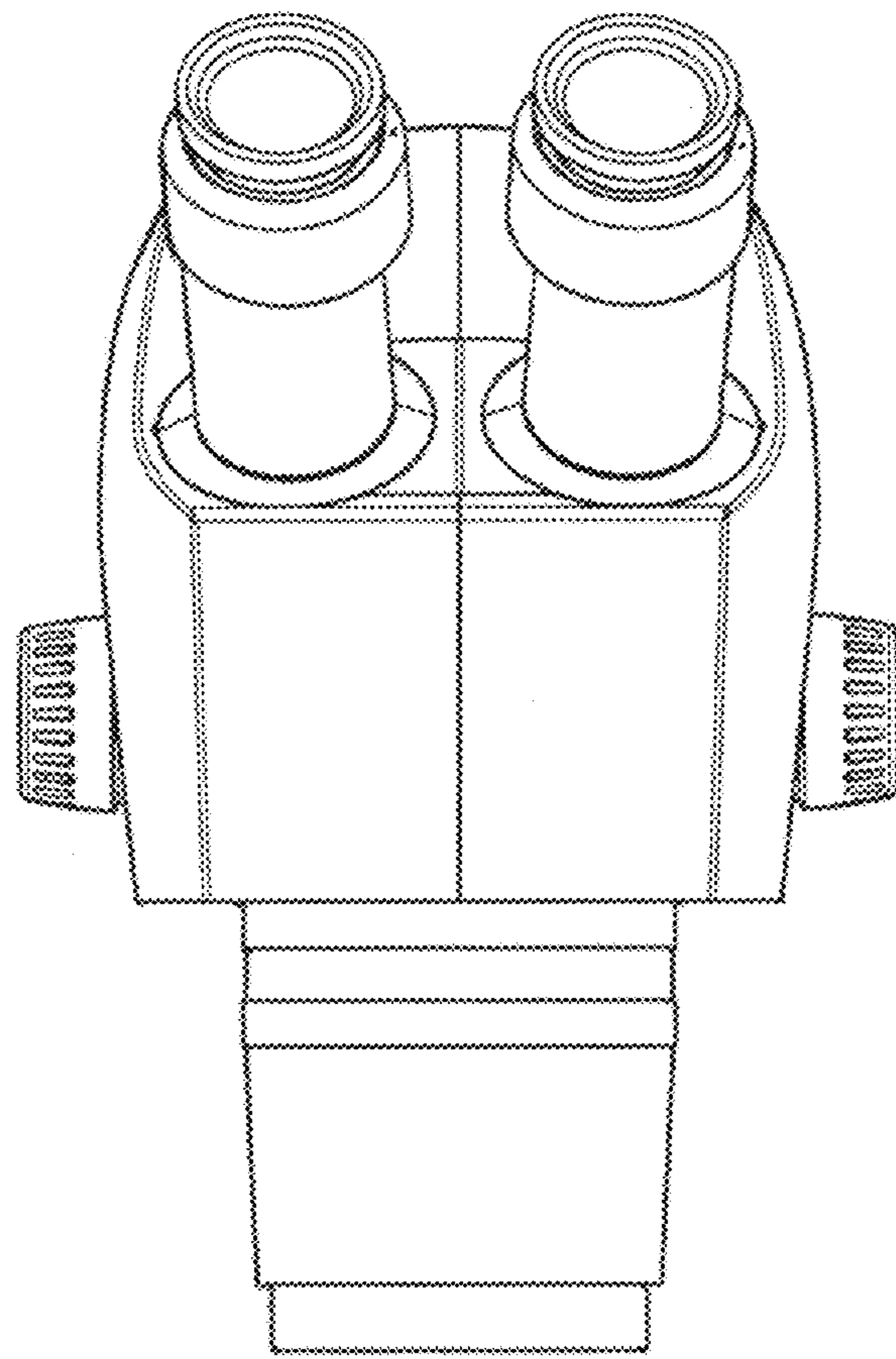




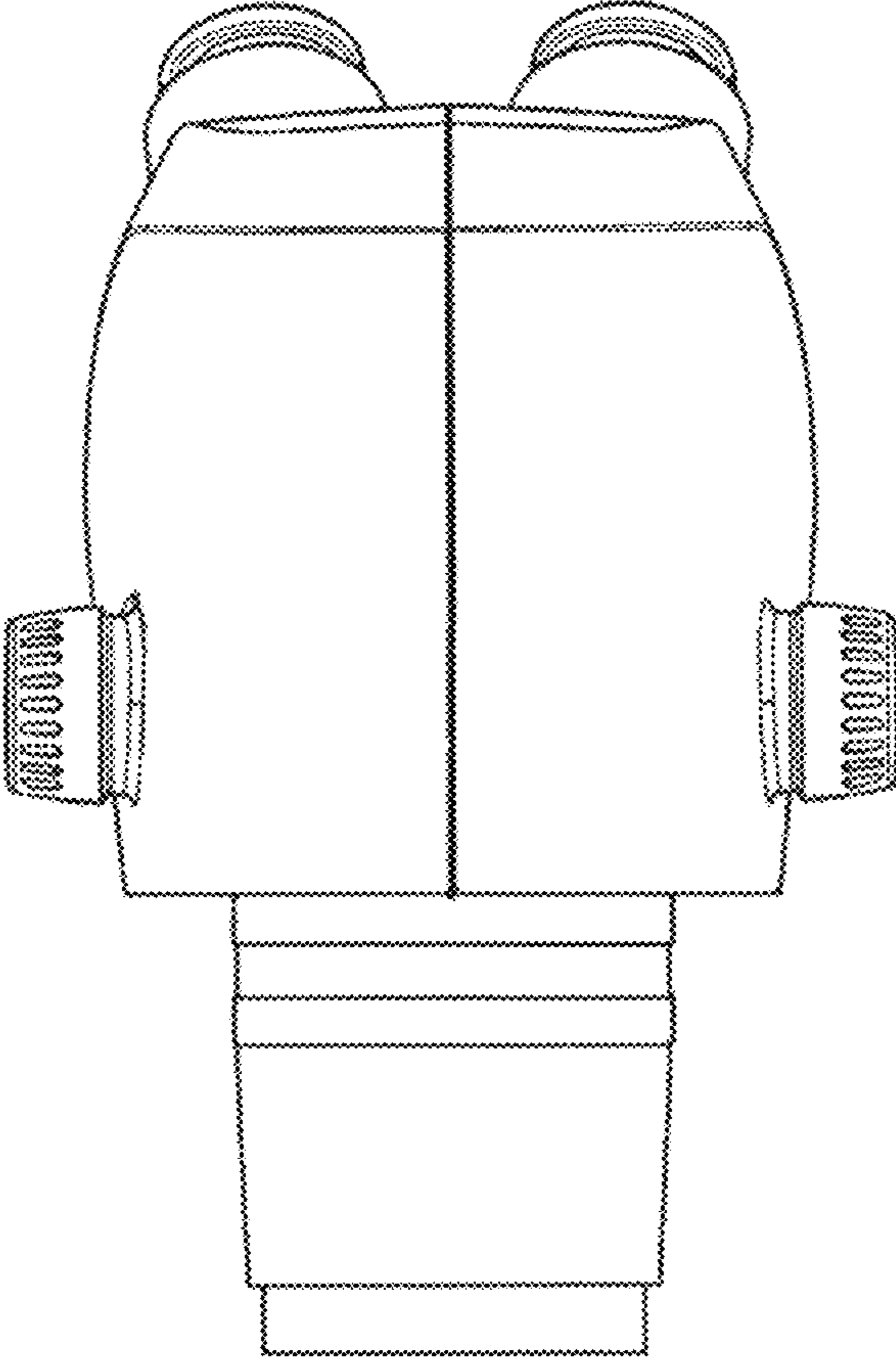
*FIG. 1*



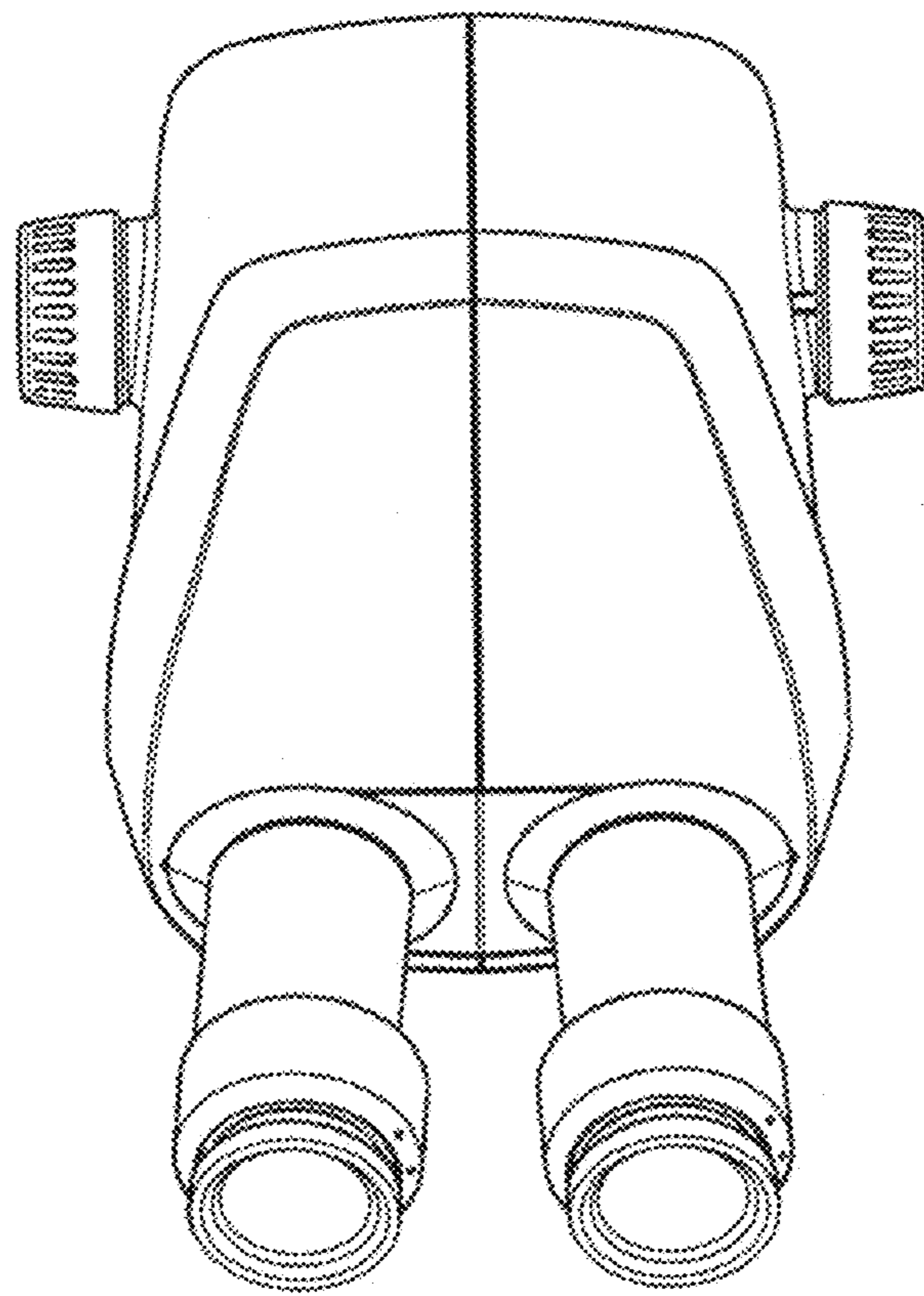
*FIG. 2*



*FIG. 3*



*FIG.4*



*FIG. 5*